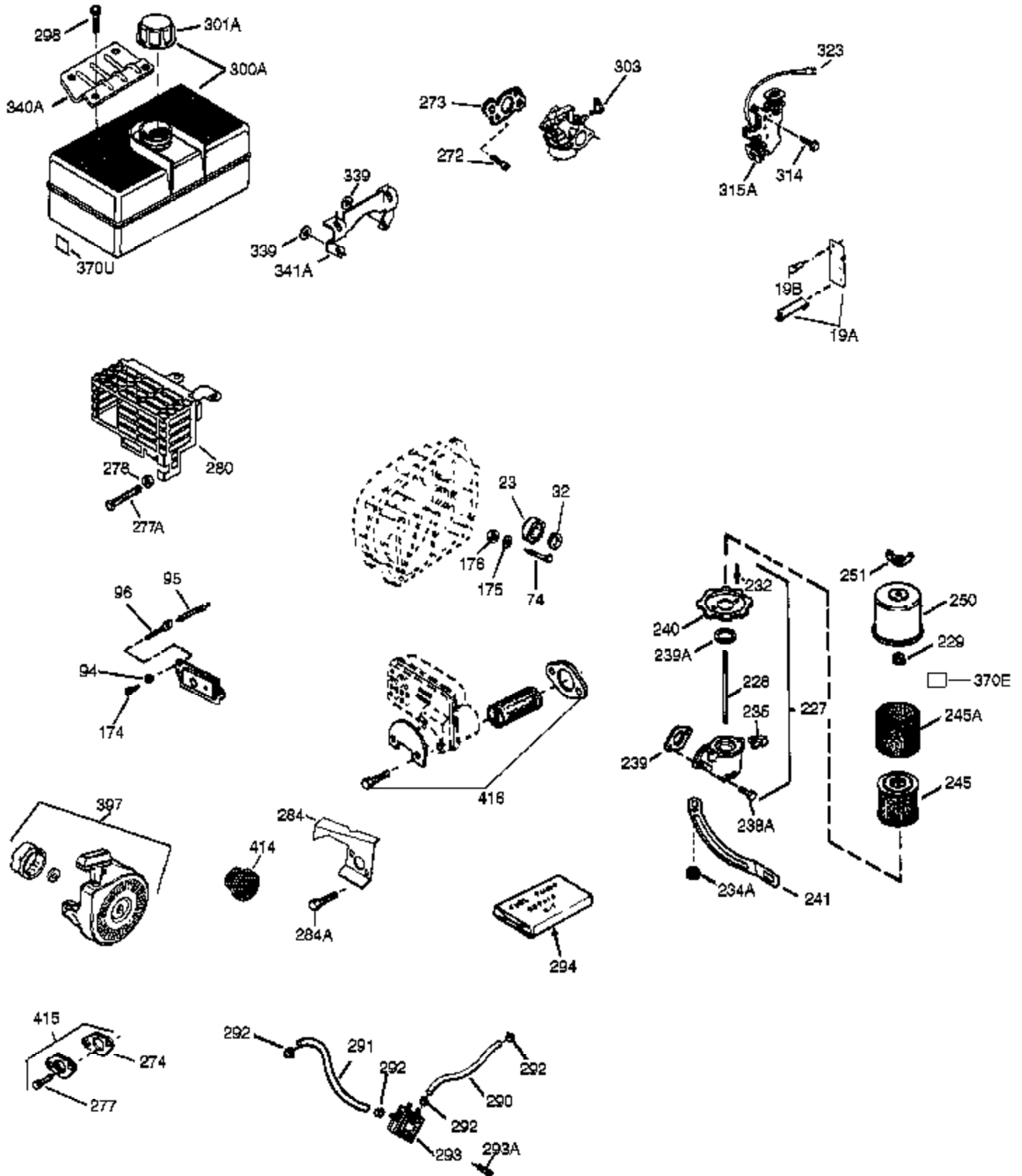


Engine Parts List #1

| Ref # | Part Number | Qty | Description |
|-------|-------------|-----|---|
| | 1 35371 | 1 | Cylinder (Incl. 2, 20 & 72) |
| | 2 27652 | 2 | Dowel Pin |
| | 14 28277 | 1 | Washer |
| | 15A 30700 | 1 | Governor Yoke |
| | 15B 650494 | 1 | Screw, 6-40 x 5/16" |
| | 15 30699C | 1 | Governor Rod (Incl. 15A & 15B) |
| | 16 37255A | 1 | Governor Lever Ass'y. (Incl. 212A) |
| | 17 29916 | 1 | Governor Lever Clamp |
| | 18 651028 | 1 | Screw, T-15, 8-32 x 7/16" |
| | 19 34663 | 1 | Extension Spring |
| | 20 35319 | 1 | Oil Seal |
| | 25 37706 | 1 | Blower Housing Baffle (Incl. 325) |
| | 26 650561 | 2 | Screw, 1/4-20 x 19/32" |
| | 28 30322 | 1 | Lock Nut, 8-32 |
| | 30 35372A | 1 | Crankshaft |
| | 35 29826 | 1 | Screw, 10-32 x 3/4" |
| | 36 29918 | 1 | Lock Washer |
| | 37 29216 | 1 | Lock Nut, 10-32 |
| | 38 29642 | 1 | Retaining Ring |
| | 40 35776A | 1 | Piston, Pin & Ring Set (Std.) |
| | 40 35777A | 1 | Piston, Pin & Ring Set (.010" OS) |
| | 40 35778A | 1 | Piston, Pin & Ring Set (.020" OS) |
| | 41 35773A | 1 | Piston & Pin Ass'y. (Std.) (Incl. 43) |
| | 41 35774A | 1 | Piston & Pin Ass'y. (.010" OS) (Incl. 43) |
| | 41 35775A | 1 | Piston & Pin Ass'y. (.020" OS) (Incl. 43) |
| | 42 35779 | 1 | Ring Set (Std.) |
| | 42 35780 | 1 | Ring Set (.010" OS) |
| | 42 35781 | 1 | Ring Set (.020" OS) |
| | 43 35772 | 2 | Piston Pin Retaining Ring |
| | 45 36898 | 1 | Connecting Rod Ass'y. (Incl. 47 & 49) |
| | 47 651033 | 2 | Connecting Rod Bolt |
| | 48 34034 | 2 | Valve Lifter |
| | 49 36896 | 1 | Oil Dipper |
| | 50 35375 | 1 | Camshaft (MCR) |
| | 60 33273A | 1 | Blower Housing Extension |
| | 65 650128 | 1 | Screw, 10-24 x 1/2" |
| | 69 37342 | 1 | * Cylinder Cover Gasket |
| | 70 35376A | 1 | Cylinder Cover (Incl. 71,75,80-84) |
| | 71 35377 | 1 | Crankshaft Bushing |
| | 72 27642 | 2 | Oil Drain Plug |
| | 75 35319 | 1 | Oil Seal |
| | 80 37587 | 1 | Governor Shaft |
| | 81 651080 | 1 | Washer |
| | 82 37588 | 1 | Governor Gear Ass'y. (Incl. 81) |
| | 83 30588A | 1 | Governor Spool |
| | 84 29193 | 1 | Retaining Ring |
| | 86 650833 | 7 | Screw, 1/4-20 x 1-3/16" |
| | 87 650832 | 1 | Screw, 1/4-20 x 1-11/16" |
| | 89 32589 | 1 | Flywheel Key |
| | 90 611094 | 1 | Flywheel |
| | 92 650880 | 1 | Lock Washer |
| | 93 650881 | 1 | Flywheel Nut |
| | 100 35135A | 1 | Solid State Ignition (Incl. 101) |
| | 101 610118 | 1 | Spark Plug Cover |
| | 102 651024 | 2 | Solid State Mounting Stud |
| | 103 651007 | 2 | Screw, T-15, 10-24 x 15/16" |
| | 119 36451 | 1 | * Cylinder Head Gasket |
| | 120 36449 | 1 | Cylinder Head |

| Ref # | Part Number | Qty | Description |
|-------|-------------|-----|---|
| 125 | 27878A | 1 | Exhaust Valve (Std.) (Incl. 151) |
| 125 | 27880A | 1 | Exhaust Valve (1/32" OS) (Incl. 151) |
| 126 | 34035 | 1 | Intake Valve (Std.) (Incl. 151) |
| 127 | 650691 | 9 | Washer |
| 128 | 650690 | 7 | Belleville Washer |
| 130A | 650727 | 2 | Screw, 5/16-18 x 1-25/32" |
| 130 | 650694A | 7 | Screw, 5/16-18 x 2" |
| 130B | 650273 | 2 | Screw, 5/16-18 x 19/32" |
| 135 | 33636 | 1 | Resistor Spark Plug (RJ17LM) |
| 139 | 33369 | 1 | Governor Gear Bracket |
| 140 | 650836 | 2 | Screw, 10-24 x 1/2" |
| 149A | 35862 | 1 | Valve Spring Cap |
| 149 | 27882 | 1 | Valve Spring Cap |
| 150 | 27881 | 2 | Valve Spring |
| 151 | 32581 | 2 | Valve Spring Keeper |
| 169 | 27896A | 2 | * Breather Gasket |
| 170 | 28423 | 1 | Breather Body |
| 171 | 28424 | 1 | Breather Element |
| 172 | 28425 | 1 | Valve Cover |
| 173 | 35350 | 1 | Breather Tube |
| 174 | 650128 | 2 | Screw, 10-24 x 1/2" |
| 178 | 29752 | 2 | Nut & Lock Washer, 1/4-28 |
| 182 | 30088A | 2 | Screw, 1/4-28 x 1" |
| 184 | 33263 | 1 | * Carburetor To Intake Pipe Gasket |
| 185 | 33877 | 1 | Intake Pipe |
| 186 | 34661 | 1 | Governor Link |
| 200 | 34664 | 1 | Control Bracket (Incl. 19,203,204 & 2 09) |
| 203 | 31342 | 1 | Compression Spring |
| 204 | 651029 | 1 | Screw, T-10, 5-40 x 7/16" |
| 207 | 37448 | 1 | Throttle Link |
| 209 | 650821 | 2 | Screw, 10-32 x 1/2" |
| 210 | 27793 | 1 | Conduit Clip |
| 211 | 28942 | 1 | Screw, 10-32 x 3/8" |
| 212A | 36288 | 1 | Bushing |
| 223 | 650378 | 2 | Screw, T-30, 5/16-18 x 1-3/32" |
| 224 | 27915A | 1 | * Intake Pipe Gasket |
| 238 | 651081 | 2 | Screw, 10-32 x 15/32" |
| 260 | 33375D | 1 | Blower Housing |
| 261 | 650788 | 2 | Screw, 5/16-18 x 3/4" |
| 262 | 651084 | 2 | Screw, 5/16-18 x 9/16" |
| 264A | 650802 | 1 | Screw, 1/4-20 x 5/8" |
| 265 | 33272D | 1 | Cylinder Head Cover |
| 276 | 31588 | 1 | Locking Plate |
| 277 | 650729 | 2 | Screw, 5/16-18 x 3-3/16 |
| 285 | 35985B | 1 | Starter Cup |
| 287 | 29752 | 4 | Nut & Lock Washer, 1/4-28 |
| 290 | 30962 | 1 | Fuel Line |
| 292 | 26460 | 2 | Fuel Line Clamp |
| 298 | 650665 | 2 | Screw, 1/4-15 x 3/4" |
| 300 | 34186A | 1 | Fuel Tank (Incl. 292 & 301) |
| 301 | 35355 | 1 | Fuel Cap |
| 305 | 35554 | 1 | Oil Fill Tube |
| 307 | 35499 | 1 | "O" Ring |
| 308 | 35540 | 1 | Fill Tube Clip |
| 310 | 36205 | 1 | Dipstick |
| 323B | 611277 | 1 | Terminal |
| 323A | 611276 | 1 | Terminal |
| 340 | 34154 | 1 | Fuel Tank Bracket |

| Ref # | Part Number | Qty | Description |
|-------|-------------|-----|---|
| 341 | 34155 | 1 | Fuel Tank Bracket |
| 342 | 650561 | 1 | Screw, 1/4-20 x 19/32" |
| 361 | 650990 | 4 | Screw, T-30, 1/4-20 x 15/32" |
| 370 | 36261 | 1 | Identification Decal |
| 370G | 35274 | 1 | Instruction Decal |
| 370K | 36695 | 1 | Starter Decal |
| 380 | 640260A | 1 | Carburetor (Incl. 184) |
| 390 | 590746 | 1 | Rewind Starter (NOTE: This engine could have been built with 590704 starter.) |
| 395 | 36680 | 1 | Electric Starter Motor (Incl. 361) |
| 400 | 36452B | 1 | * Gasket Set (Incl. items marked PK in notes) |
| 417 | 650696 | 2 | Screw, 5/16-18 x 2-45/64" |
| 420 | 730225A | 1 | SAE 30 4-Cycle Engine Oil (Quart) |



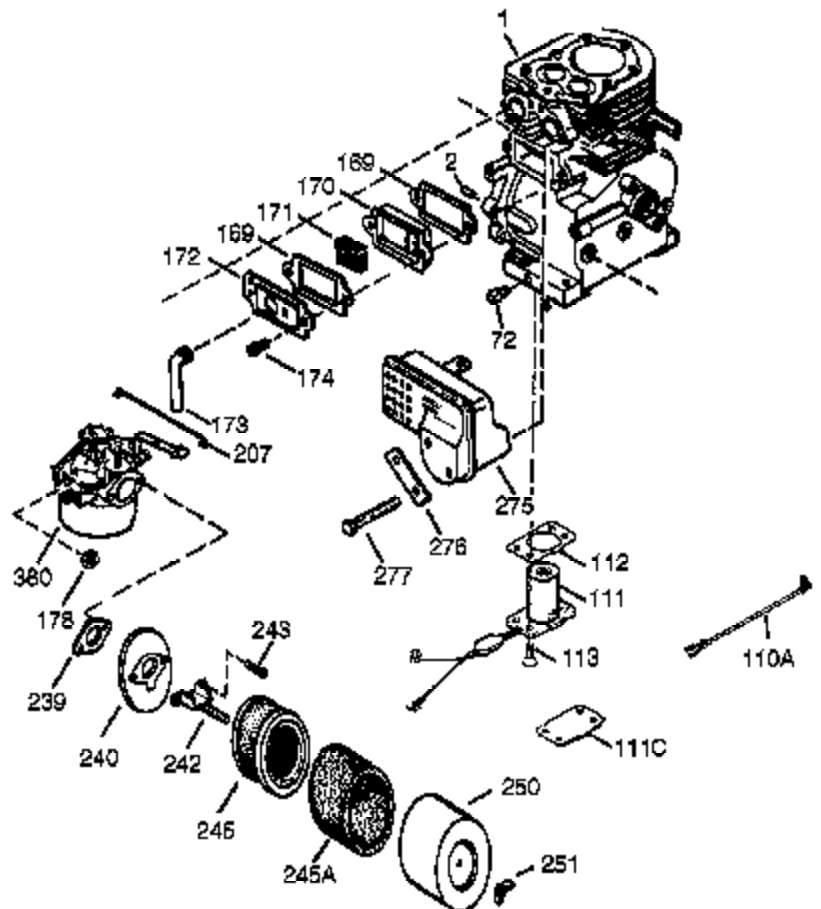
| Ref # | Part Number | Qty | Description |
|-------|-------------|-----|--|
| 174 | 650128 | 2 | Screw, 10-24 x 1/2" |
| 238 | 651081 | 2 | Screw, 10-32 x 15/32" |
| 239 | 27272A | 1 | * Air Cleaner Gasket |
| 240 | 33266 | 1 | Air Cleaner Body |
| 245 | 33268 | 1 | Air Cleaner Filter |
| 250 | 33269A | 1 | Air Cleaner Cover |
| 251 | 37444 | 1 | Wing Nut, 1/4-20 |
| 277 | 650729 | 2 | Screw, 5/16-18 x 3-3/16 |
| 290 | 30962 | 1 | Fuel Line |
| 292 | 26460 | 2 | Fuel Line Clamp |
| 298 | 650665 | 2 | Screw, 1/4-15 x 3/4" |
| 314 | 650873 | 2 | Screw, 1/4-20 x 3/4" |
| 323 | 610922 | 2 | Terminal |
| 323A | 611276 | 1 | Terminal |
| 323B | 611277 | 1 | Terminal |
| 416 | 34479A | 1 | Spark Arrestor Kit (Incl. 417)(Optional) |
| 417 | 650696 | 2 | Screw, 5/16-18 x 2-45/64" |



OPTIONAL MUFFLER
(QUIET)



OPTIONAL 110-120 VOLT
STARTER MOTOR KIT



| Ref # | Part Number | Qty | Description |
|-------|-------------|-----|--|
| 1 | 35371 | 1 | Cylinder (Incl. 2, 20 & 72) |
| 2 | 27652 | 2 | Dowel Pin |
| 72 | 27642 | 2 | Oil Drain Plug |
| 90 | 611094 | 1 | Flywheel |
| 100 | 35135A | 1 | Solid State Ignition (Incl. 101) |
| 101 | 610118 | 1 | Spark Plug Cover |
| 102 | 651024 | 2 | Solid State Mounting Stud |
| 103 | 651007 | 2 | Screw, T-15, 10-24 x 15/16" |
| 169 | 27896A | 2 | * Breather Gasket |
| 170 | 28423 | 1 | Breather Body |
| 171 | 28424 | 1 | Breather Element |
| 172 | 28425 | 1 | Valve Cover |
| 173 | 35350 | 1 | Breather Tube |
| 174 | 650128 | 2 | Screw, 10-24 x 1/2" |
| 178 | 29752 | 2 | Nut & Lock Washer, 1/4-28 |
| 207 | 37448 | 1 | Throttle Link |
| 238 | 651081 | 2 | Screw, 10-32 x 15/32" |
| 239 | 27272A | 1 | * Air Cleaner Gasket |
| 240 | 33266 | 1 | Air Cleaner Body |
| 242 | 33267 | 1 | Air Cleaner Bracket |
| 245 | 33268 | 1 | Air Cleaner Filter |
| 250 | 33269A | 1 | Air Cleaner Cover |
| 251 | 37444 | 1 | Wing Nut, 1/4-20 |
| 260 | 33375D | 1 | Blower Housing |
| 275 | 34185B | 1 | Muffler |
| 276 | 31588 | 1 | Locking Plate |
| 277 | 650729 | 2 | Screw, 5/16-18 x 3-3/16 |
| 314 | 650873 | 2 | Screw, 1/4-20 x 3/4" |
| 315 | 611256 | 1 | Alternator Coil (7 Amp)(Incl. 322,323 -323B) |
| 319 | 650735 | 2 | Screw, 10-24 x 3/8" |
| 320 | 611175A | 1 | Regulator (5 & 7 Amp) |
| 322 | 610921 | 1 | Connector Body |
| 323A | 611276 | 1 | Terminal |
| 323B | 611277 | 1 | Terminal |
| 323 | 610922 | 2 | Terminal |
| 361 | 650990 | 4 | Screw, T-30, 1/4-20 x 15/32" |
| 380 | 640260A | 1 | Carburetor (Incl. 184) |
| 417 | 650696 | 2 | Screw, 5/16-18 x 2-45/64" |