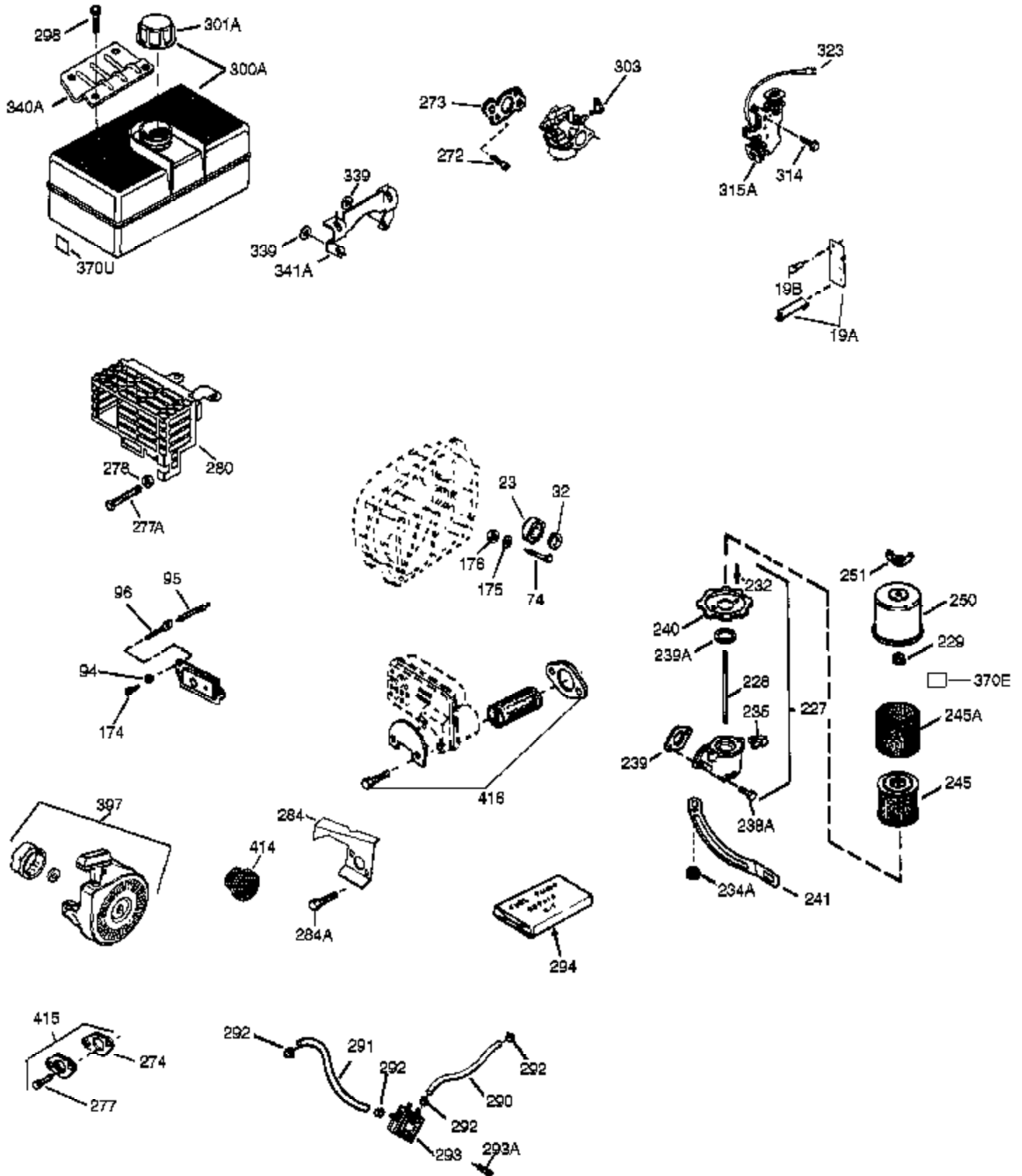


Engine Parts List #1

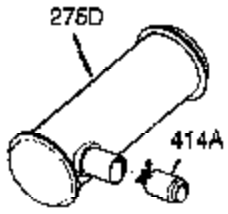
| Ref # | Part Number | Qty | Description |
|-------|-------------|-----|-------------------------------------------|
| 1 | 35968A | 1 | Cylinder (Incl. 2, 20 & 72) |
| 2 | 27652 | 2 | Dowel Pin |
| 14 | 28277 | 1 | Washer |
| 15 | 30699C | 1 | Governor Rod (Incl. 15A & 15B) |
| 15A | 30700 | 1 | Governor Yoke |
| 15B | 650494 | 1 | Screw, 6-40 x 5/16" |
| 16 | 37458 | 1 | Governor Lever (Incl. 212A) |
| 17 | 29916 | 1 | Governor Lever Clamp |
| 18 | 651028 | 1 | Screw, T-15, 8-32 x 3/8" |
| 20 | 35319 | 1 | Oil Seal |
| 25 | 36460 | 1 | Blower Housing Baffle |
| 25B | 651059 | 1 | Screw, 3/8-16 x 3/4" |
| 25A | 36244 | 1 | Air Baffle |
| 26 | 650561 | 2 | Screw, 1/4-20 x 19/32" |
| 28 | 30322 | 1 | Lock Nut, 8-32 |
| 30 | 37302 | 1 | Crankshaft |
| 35 | 29826 | 1 | Screw, 10-32 x 3/4" |
| 36 | 29918 | 1 | Lock Washer |
| 37 | 29216 | 1 | Lock Nut, 10-32 |
| 38 | 29642 | 1 | Retaining Ring |
| 40 | 35776A | 1 | Piston, Pin & Ring Set (Std.) |
| 40 | 35777A | 1 | Piston, Pin & Ring Set (.010" OS) |
| 40 | 35778A | 1 | Piston, Pin & Ring Set (.020" OS) |
| 41 | 35773A | 1 | Piston & Pin Ass'y. (Std.) (Incl. 43) |
| 41 | 35774A | 1 | Piston & Pin Ass'y. (.010" OS) (Incl. 43) |
| 41 | 35775A | 1 | Piston & Pin Ass'y. (.020" OS) (Incl. 43) |
| 42 | 35779 | 1 | Ring Set (Std.) |
| 42 | 35780 | 1 | Ring Set (.010" OS) |
| 42 | 35781 | 1 | Ring Set (.020" OS) |
| 43 | 35772 | 2 | Piston Pin Retaining Ring |
| 45 | 36898 | 1 | Connecting Rod Ass'y. (Incl. 47 & 49) |
| 47 | 651033 | 2 | Connecting Rod Bolt |
| 48 | 34034 | 2 | Valve Lifter |
| 49 | 36896 | 1 | Oil Dipper |
| 50 | 35375 | 1 | Camshaft (MCR) |
| 60 | 33273A | 1 | Blower Housing Extension |
| 65 | 650128 | 1 | Screw, 10-24 x 1/2" |
| 69 | 37342 | 1 | * Cylinder Cover Gasket |
| 70 | 35376A | 1 | Cylinder Cover (Incl. 71,75,80 Thru 8 4) |
| 71 | 35377 | 1 | Crankshaft Bushing |
| 72 | 27642 | 2 | Oil Drain Plug |
| 75 | 37648 | 1 | Oil Seal |
| 80 | 37587 | 1 | Governor Shaft |
| 81 | 651080 | 1 | Washer |
| 82 | 37588 | 1 | Governor Gear Ass'y. (Incl. 81) |
| 83 | 30588A | 1 | Governor Spool |
| 84 | 29193 | 1 | Retaining Ring |
| 86 | 650833 | 7 | Screw, 1/4-20 x 1-3/16" |
| 87 | 650832 | 1 | Screw, 1/4-20 x 1-11/16" |
| 89 | 32589 | 1 | Flywheel Key |
| 90 | 611090 | 1 | Flywheel |
| 92 | 650880 | 1 | Lock Washer |
| 93 | 650881 | 1 | Flywheel Nut |
| 100 | 35135A | 1 | Solid State Ignition (Incl. 101) |
| 101 | 610118 | 1 | Spark Plug Cover |
| 102 | 651024 | 2 | Solid State Mounting Stud |
| 103 | 651007 | 2 | Screw, T-15, 10-24 x 15/16" |
| 110 | 35589 | 1 | Ground Wire |

| Ref # | Part Number | Qty | Description |
|-------|-------------|-----|--------------------------------------|
| 119 | 36451 | 1 | * Cylinder Head Gasket |
| 120 | 36449 | 1 | Cylinder Head |
| 125 | 27878A | 1 | Exhaust Valve (Std.) (Incl. 151) |
| 125 | 27880A | 1 | Exhaust Valve (1/32" OS) (Incl. 151) |
| 126 | 34035 | 1 | Intake Valve (Std.) (Incl. 151) |
| 127 | 650691 | 9 | Washer |
| 128 | 650690 | 9 | Belleville Washer |
| 130A | 651031 | 1 | Screw, 1/4-20 x 9/16" |
| 130 | 650694A | 9 | Screw, 5/16-18 x 2" |
| 135 | 33636 | 1 | Resistor Spark Plug (RJ17LM) |
| 139 | 33369 | 1 | Governor Gear Bracket |
| 140 | 650836 | 2 | Screw, 10-24 x 1/2" |
| 149 | 27882 | 1 | Valve Spring Cap |
| 149A | 35862 | 1 | Valve Spring Cap |
| 150 | 27881 | 2 | Valve Spring |
| 151 | 32581 | 2 | Valve Spring Keeper |
| 169 | 27896A | 2 | * Breather Gasket |
| 170 | 28423 | 1 | Breather Body |
| 171 | 28424 | 1 | Breather Element |
| 172 | 28425 | 1 | Valve Cover |
| 173 | 35350 | 1 | Breather Tube |
| 174 | 650128 | 2 | Screw, 10-24 x 1/2" |
| 178 | 29752 | 1 | Nut & Lock Washer, 1/4-28 |
| 182 | 30088A | 2 | Screw, 1/4-28 x 1" |
| 184 | 33263 | 1 | * Carburetor To Intake Pipe Gasket |
| 185 | 33877 | 1 | Intake Pipe |
| 207 | 37448 | 1 | Throttle Link |
| 212A | 36288 | 1 | Bushing |
| 223 | 650378 | 2 | Screw, T-30, 5/16-18 x 1-3/32" |
| 224 | 27915A | 1 | * Intake Pipe Gasket |
| 260 | 36468A | 1 | Blower Housing |
| 261 | 650788 | 2 | Screw, 5/16-18 x 3/4" |
| 262 | 29747B | 2 | Screw, T-40, 5/16-24 x 21/32" |
| 264A | 650802 | 1 | Screw, 1/4-20 x 5/8" |
| 265 | 33272D | 1 | Cylinder Head Cover |
| 276 | 31588 | 1 | Locking Plate |
| 277 | 650729 | 2 | Screw, 5/16-18 x 3-3/16" |
| 281 | 33013 | 1 | Starter Bubble Cover |
| 282 | 650760 | 1 | Screw, 10-32 x 3/8" |
| 285 | 35985B | 1 | Starter Cup |
| 287 | 29752 | 4 | Nut & Lock Washer, 1/4-28 |
| 290 | 30962 | 1 | Fuel Line |
| 292 | 26460 | 2 | Fuel Line Clamp |
| 296 | 34279B | 1 | Fuel Filter (Incl. 292) |
| 311A | 35941 | 1 | Oil Fill Plug |
| 312 | 29673 | 1 | "O" Ring |
| 325 | 29443 | 1 | Wire Clip |
| 335 | 37655 | 1 | Carburetor Cover |
| 336 | 650765 | 1 | Screw, 10-32 x 1/2" |
| 338 | 28942 | 2 | Screw, 10-32 x 3/8" |
| 342 | 30063 | 1 | Screw, T-30, 1/4-20 x 1/2" |
| 364 | 37659 | 1 | Carburetor Cover Bracket |
| 365 | 650767 | 2 | Screw, 8-32 x 27/64" |
| 370G | 35274 | 1 | Instruction Decal |
| 370K | 36695 | 1 | Starter Decal |
| 380 | 640260A | 1 | Carburetor (Incl. 184 & 212A) |

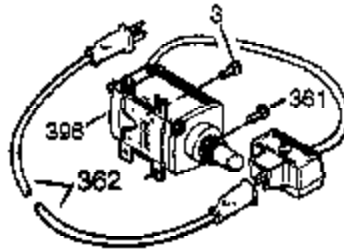
| Ref # | Part Number | Qty | Description |
|-------|-------------|-----|-------------------------------------------------------------------------------|
| 390 | 590746 | 1 | Rewind Starter (NOTE: This engine could have been built with 590704 starter). |
| 400 | 36452B | 1 | * Gasket Set (Incl. items marked PK in notes) |
| 417 | 650696 | 2 | Screw, 5/16-18 x 2-45/64" |
| 420 | 730225A | 1 | SAE 30 4-Cycle Engine Oil (Quart) |



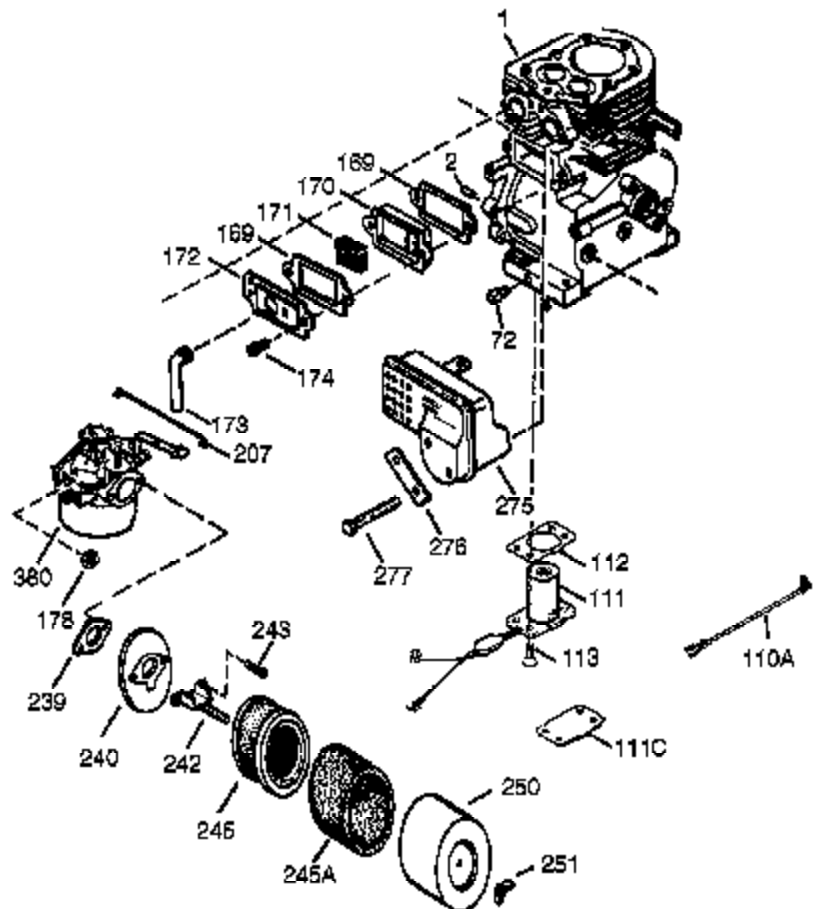
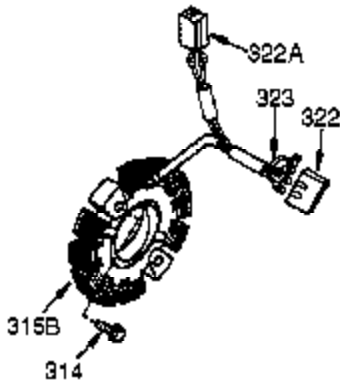
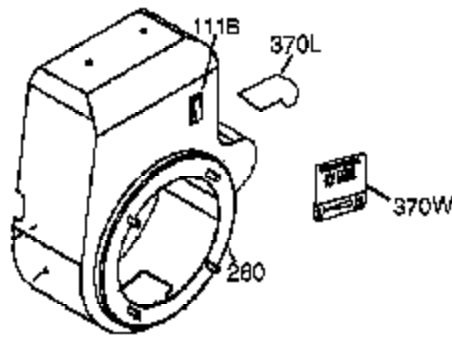
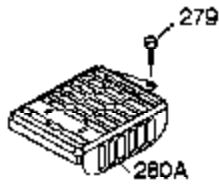
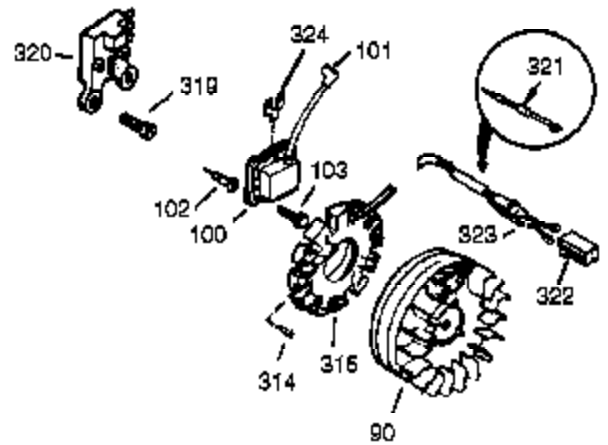
| Ref # | Part Number | Qty | Description |
|-------|-------------|-----|------------------------------------------|
| 94 | 651016 | 1 | Lock Nut, 10-32 |
| 95 | 30886A | 1 | Extension Spring |
| 96 | 30845A | 1 | R.P.M. Adjusting Bolt |
| 174 | 650128 | 2 | Screw, 10-24 x 1/2" |
| 239 | 27272A | 1 | * Air Cleaner Gasket |
| 240 | 33266 | 1 | Air Cleaner Bracket |
| 245 | 33268 | 1 | Air Cleaner Filter |
| 250 | 33269A | 1 | Air Cleaner Cover |
| 251 | 37444 | 1 | Wing Nut, 1/4-20 |
| 277 | 650729 | 2 | Screw, 5/16-18 x 3-3/16" |
| 290 | 30962 | 1 | Fuel Line |
| 292 | 26460 | 2 | Fuel Line Clamp |
| 416 | 34479A | 1 | Spark Arrestor Kit (Incl. 417)(Optional) |
| 417 | 650696 | 2 | Screw, 5/16-18 x 2-45/64" |



OPTIONAL MUFFLER
(QUIET)



OPTIONAL 110-120 VOLT
STARTER MOTOR KIT



| Ref # | Part Number | Qty | Description |
|-------|-------------|-----|--------------------------------------|
| | 1 35968A | 1 | Cylinder (Incl. 2, 20 & 72) |
| | 2 27652 | 2 | Dowel Pin |
| | 72 27642 | 2 | Oil Drain Plug |
| | 90 611090 | 1 | Flywheel |
| | 100 35135A | 1 | Solid State Ignition (Incl. 101) |
| | 101 610118 | 1 | Spark Plug Cover |
| | 102 651024 | 2 | Solid State Mounting Stud |
| | 103 651007 | 2 | Screw, T-15, 10-24 x 15/16" |
| | 110A 36993 | 1 | Oil Shut-Down Wire & Terminal |
| | 111 611220 | 1 | Low Oil Shut-Down Switch (Incl. 112) |
| | 111B 611226 | 1 | Rocker On/Off Switch |
| | 112 35967A | 1 | * Low Oil Shut-Down Gasket |
| | 113 650950 | 4 | Screw, T-25, 10-24 x 5/8" |
| | 169 27896A | 2 | * Breather Gasket |
| | 170 28423 | 1 | Breather Body |
| | 171 28424 | 1 | Breather Element |
| | 172 28425 | 1 | Valve Cover |
| | 173 35350 | 1 | Breather Tube |
| | 174 650128 | 2 | Screw, 10-24 x 1/2" |
| | 178 29752 | 1 | Nut & Lock Washer, 1/4-28 |
| | 207 37448 | 1 | Throttle Link |
| | 239 27272A | 1 | * Air Cleaner Gasket |
| | 240 33266 | 1 | Air Cleaner Bracket |
| | 242 33267 | 1 | Air Cleaner Bracket |
| | 243 651081 | 2 | Screw, 10-32 x 15/32" |
| | 245 33268 | 1 | Air Cleaner Filter |
| | 250 33269A | 1 | Air Cleaner Cover |
| | 251 37444 | 1 | Wing Nut, 1/4-20 |
| | 260 36468A | 1 | Blower Housing |
| | 275 34185B | 1 | Muffler |
| | 276 31588 | 1 | Locking Plate |
| | 277 650729 | 2 | Screw, 5/16-18 x 3-3/16" |
| | 370L 36990 | 1 | Low Oil Decal |
| | 380 640260A | 1 | Carburetor (Incl. 184 & 212A) |
| | 417 650696 | 2 | Screw, 5/16-18 x 2-45/64" |