

Engine Parts List #1

| Ref # | Part Number | Qty | Description |
|-------|-------------|-----|--|
| 1 | 35371 | 1 | Cylinder (Incl. 2, 20 & 72) |
| 2 | 27652 | 2 | Dowel Pin |
| 15A | 30700 | 1 | Governor Yoke |
| 15B | 650494 | 1 | Screw, 6-40 x 5/16" |
| 15 | 30699C | 1 | Governor Rod (Incl. 15A & 15B) |
| 16 | 33454 | 1 | Governor Lever |
| 17 | 29916 | 1 | Governor Lever Clamp |
| 18 | 651028 | 1 | Screw, Torx T-15, 8-32 x 3/8" |
| 19 | 33857 | 1 | Extension Spring & Throttle Bracket (Incl. 19B) |
| 20 | 35319 | 1 | Oil Seal |
| 25 | 36460 | 1 | Blower Housing Baffle |
| 26 | 650561 | 2 | Screw, 1/4-20 x 5/8" |
| 28 | 30322 | 1 | Lock Nut, 8-32 |
| 30 | 35420A | 1 | Crankshaft |
| 35 | 29826 | 1 | Screw, 10-32 x 3/4" |
| 36 | 29918 | 1 | Lock Washer |
| 37 | 29216 | 1 | Lock Nut, 10-32 |
| 38 | 29642 | 1 | Retaining Ring |
| 40 | 35776A | 1 | Piston, Pin & Ring Set (Std.) |
| 40 | 35777A | 1 | Piston, Pin & Ring Set (.010" OS) |
| 40 | 35778A | 1 | Piston, Pin & Ring Set (.020" OS) |
| 41 | 35773A | 1 | Piston & Pin Ass'y. (Std.) (Incl. 43) |
| 41 | 35774A | 1 | Piston & Pin Ass'y. (.010" OS) (Incl. 43) |
| 41 | 35775A | 1 | Piston & Pin Ass'y. (.020" OS) (Incl. 43) |
| 42 | 35779 | 1 | Ring Set (Std.) |
| 42 | 35780 | 1 | Ring Set (.010" OS) |
| 42 | 35781 | 1 | Ring Set (.020" OS) |
| 43 | 35772 | 2 | Piston Pin Retaining Ring |
| 45 | 36898 | 1 | Connecting Rod Ass'y. (Incl. 47 & 49) |
| 47 | 651033 | 2 | Connecting Rod Bolt |
| 48 | 34034 | 2 | Valve Lifter |
| 49 | 36896 | 1 | Oil Dipper |
| 50 | 35375 | 1 | Camshaft (MCR) |
| 60 | 33273A | 1 | Blower Housing Extension |
| 62 | 650760 | 1 | Screw, 8-32 x 3/8" |
| 63 | 28545 | 1 | Grommet |
| 65 | 650128 | 1 | Screw, 10-24 x 1/2" |
| 69 | 35262A | 1 | * Cylinder Cover Gasket |
| 70 | 33626B | 1 | Cylinder Cover (Incl. 71,74,75,80,175 & 176) |
| 71 | 35377 | 1 | Crankshaft Bushing |
| 72 | 27642 | 2 | Oil Pipe Plug |
| 75 | 33625 | 1 | Oil Seal |
| 80 | 31845 | 1 | Governor Shaft |
| 81 | 30590A | 1 | Washer |
| 82 | 35378 | 1 | Governor Gear Ass'y. (Incl. 81) |
| 83 | 30588A | 1 | Governor Spool |
| 84 | 29193 | 1 | Retaining Ring |
| 86 | 650833 | 7 | Screw, 1/4-20 x 1-3/16" |
| 87 | 650832 | 1 | Screw, 1/4-20 x 1-11/16" |
| 89 | 32589 | 1 | Flywheel Key |
| 90 | 611094 | 1 | Flywheel |
| 92 | 650880 | 1 | Lock Washer |
| 93 | 650881 | 1 | Flywheel Nut |
| 100 | 35135 | 1 | Solid State Ignition |
| 101 | 610118 | 1 | Spark Plug Cover |
| 102 | 651024 | 2 | Solid State Mounting Stud |
| 103 | 651007 | 2 | Screw, Torx T-15, 10-24 x 15/16" |
| 110 | 35234 | 1 | Ground Wire |

Engine Parts List #1

| Ref # | Part Number | Qty | Description |
|-------|-------------|-----|--|
| 119 | 36451 | 1 | * Cylinder Head Gasket |
| 120 | 36449 | 1 | Cylinder Head |
| 125 | 27878A | 1 | Exhaust Valve (Std.) (Incl. 151) |
| 125 | 27880A | 1 | Exhaust Valve (1/32" OS) (Incl. 151) |
| 126 | 34035 | 1 | Intake Valve (Std.) (Incl. 151) |
| 126 | 34036 | 1 | Intake Valve (1/32" OS) (Incl. 151) |
| 127 | 650691 | 9 | Washer |
| 128 | 650690 | 9 | Belleville Washer |
| 130B | 651055 | 2 | Screw, 5/16-18 x 5/8" |
| 130 | 650694A | 9 | Screw, 5/16-18 x 2" |
| 130A | 650727 | 4 | Screw, 5/16-18 x 1-25/32" |
| 135 | 33636 | 1 | Resistor Spark Plug (RJ17LM) |
| 139 | 33369 | 1 | Governor Gear Bracket |
| 140 | 650836 | 2 | Screw, 10-24 x 1/2" |
| 149 | 27882 | 1 | Valve Spring Cap |
| 149A | 35862 | 1 | Valve Spring Cap |
| 150 | 27881 | 2 | Valve Spring |
| 151 | 32581 | 2 | Valve Spring Keeper |
| 169 | 27896A | 2 | * Valve Cover Gasket |
| 170 | 28423 | 1 | Breather Body |
| 171 | 28424 | 1 | Breather Element |
| 172 | 28425 | 1 | Valve Cover |
| 173A | 32446 | 2 | Breather Tube Grommet |
| 173 | 32447 | 1 | Breather Tube |
| 174 | 650128 | 2 | Screw, 10-24 x 1/2" |
| 178 | 29752 | 2 | Nut & Lock Washer, 1/4-28 |
| 182 | 650517 | 2 | Screw, 1/4-20 x 27/32" |
| 184 | 33263 | 1 | * Carburetor To Intake Pipe Gasket |
| 186 | 34661 | 1 | Governor Link |
| 200 | 34784 | 1 | Control Bracket (Incl. 19, 203, 204 & 206) |
| 203 | 31342 | 1 | Compression Spring |
| 204 | 651029 | 1 | Screw, Torx T-10, 5-40 x 7/16" |
| 207 | 34785 | 1 | Choke Link |
| 209 | 650821 | 2 | Screw, 10-32 x 1/2" |
| 210 | 27793 | 1 | Conduit Clip |
| 211 | 28942 | 1 | Screw, 10-32 x 3/8" |
| 238 | 28820 | 2 | Screw, 10-32 x 1/2" |
| 260 | 33375D | 1 | Blower Housing |
| 261 | 650788 | 2 | Screw, 5/16-18 x 3/4" |
| 262 | 29747B | 2 | Screw, Torx T-40, 5/16-24 x 21/32" |
| 265 | 33272B | 1 | Cylinder Head Cover |
| 277 | 650273 | 2 | Screw, 5/16-18 x 5/8" |
| 285 | 35985B | 1 | Starter Cup |
| 287 | 29752 | 4 | Nut, 1/4-28 |
| 290 | 29774 | 1 | Fuel Line |
| 291A | 29774 | 1 | Fuel Line (1.25") |
| 291A | 30962 | 1 | Fuel Line |
| 292 | 26460 | 2 | Fuel Line Clamp |
| 298 | 650665 | 2 | Screw, 1/4-15 x 3/4" |
| 300 | 34186A | 1 | Fuel Tank (Incl. 292 & 301) |
| 301 | 35650 | 1 | Fuel Cap Ass'y |
| 304 | 35480 | 1 | Fuel Cap Retainer |
| 305 | 35554 | 1 | Oil Fill Tube |
| 307 | 35499 | 1 | "O" Ring |
| 308 | 35540 | 1 | Fill Tube Clip |
| 310 | 36205 | 1 | Dipstick |
| 325 | 34246 | 1 | Wire Clip |
| 340 | 34154 | 1 | Fuel Tank Bracket (Upper) |

| Ref # | Part Number | Qty | Description |
|-------|-------------|-----|---|
| 341 | 34155 | 1 | Fuel Tank Bracket (Lower) |
| 342 | 650561 | 1 | Screw, 1/4-20 x 19/32" |
| 361 | 650990 | 4 | Screw, Torx T-30, 1/4-20 x 15/32" |
| 364 | 33377 | 1 | Carburetor Cover Bracket |
| 370K | 36695 | 1 | Starter Decal |
| 370G | 35274 | 1 | Oil Instruction Decal |
| 380 | 640108 | 1 | Carburetor (Incl. 184) |
| 390 | 590746 | 1 | Rewind Starter (NOTE: This engine could have been built with 590704 starter.) |
| 395 | 36680 | 1 | Electric Starter Motor (12 Volt) |
| 400 | 36452A | 1 | * Gasket Set (Incl. items marked PK in notes) Incl. part #'s 27272A (1), 27896A (2), 27915A (1), 29673 (1), 33263 (1), 33629 (1), 34698A (1), 35262 (1), 35317 (1), 36451 (1) |



Engine Parts List #2

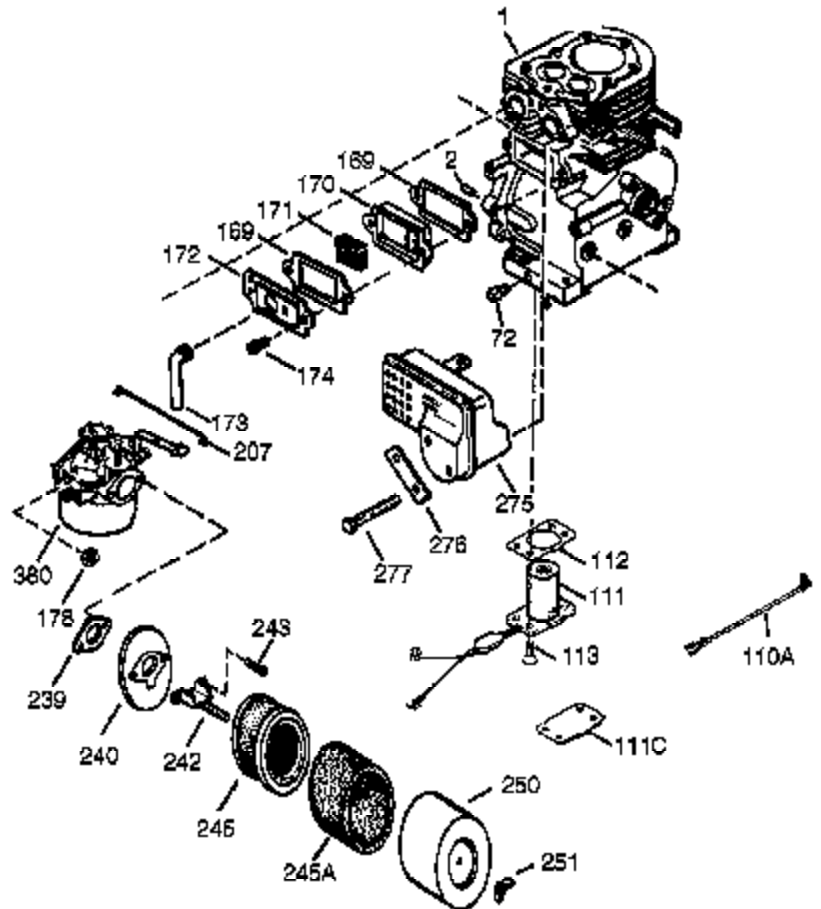
| Ref # | Part Number | Qty | Description |
|-------|-------------|-----|------------------------|
| 19A | 34663 | 1 | Extension Spring |
| 19B | 28942 | 1 | Screw, 10-32 x 3/8" |
| 23 | 33627 | 1 | Ball Bearing |
| 32 | 33628 | 1 | Washer |
| 74 | 31855 | 2 | Bearing Retainer |
| 174 | 650128 | 2 | Screw, 10-24 x 1/2" |
| 175 | 650778 | 2 | Lock Washer |
| 176 | 650580 | 2 | Lock Nut, 10-24 |
| 238 | 28820 | 2 | Screw, 10-32 x 1/2" |
| 239 | 27272A | 1 | * Air Cleaner Gasket |
| 240 | 37104 | 1 | Air Cleaner Bracket |
| 245 | 33268 | 1 | Air Cleaner Filter |
| 245A | 35881 | 1 | Air Cleaner Filter |
| 250 | 33269A | 1 | Air Cleaner Cover |
| 251 | 650513 | 1 | Wing Nut, 1/4-20 |
| 272 | 30196 | 2 | Screw, 5/16-18 x 3/4" |
| 273 | 34349A | 1 | Carburetor Flange |
| 274 | 35865 | 1 | * Exhaust Gasket |
| 277 | 650273 | 2 | Screw, 5/16-18 x 5/8" |
| 278 | 26073 | 1 | Washer |
| 280 | 37077 | 1 | Heat Shield |
| 284A | 30196 | 2 | Screw, 5/16-18 x 3/4" |
| 284 | 34390 | 1 | Deflector |
| 290 | 29774 | 1 | Fuel Line |
| 292 | 26460 | 2 | Fuel Line Clamp |
| 293 | 35812 | 1 | Pulse Pump (Incl. 294) |
| 294 | 35791 | 1 | Pulse Pump Repair Kit |
| 298 | 650665 | 2 | Screw, 1/4-15 x 3/4" |
| 303 | 28566 | 1 | Fuel Fitting |
| 314 | 650873 | 2 | Screw, 1/4-20 x 3/4" |
| 323 | 610922 | 1 | Terminal |



OPTIONAL MUFFLER
(QUIET)



OPTIONAL 110-120 VOLT
STARTER MOTOR KIT



| Ref # | Part Number | Qty | Description |
|-------|-------------|-----|--|
| 1 | 35371 | 1 | Cylinder (Incl. 2, 20 & 72) |
| 2 | 27652 | 2 | Dowel Pin |
| 72 | 27642 | 2 | Oil Pipe Plug |
| 90 | 611094 | 1 | Flywheel |
| 100 | 35135 | 1 | Solid State Ignition |
| 101 | 610118 | 1 | Spark Plug Cover |
| 102 | 651024 | 2 | Solid State Mounting Stud |
| 103 | 651007 | 2 | Screw, Torx T-15, 10-24 x 15/16" |
| 169 | 27896A | 2 | * Valve Cover Gasket |
| 170 | 28423 | 1 | Breather Body |
| 171 | 28424 | 1 | Breather Element |
| 172 | 28425 | 1 | Valve Cover |
| 173 | 32447 | 1 | Breather Tube |
| 174 | 650128 | 2 | Screw, 10-24 x 1/2" |
| 178 | 29752 | 2 | Nut & Lock Washer, 1/4-28 |
| 207 | 34785 | 1 | Choke Link |
| 238 | 28820 | 2 | Screw, 10-32 x 1/2" |
| 239 | 27272A | 1 | * Air Cleaner Gasket |
| 240 | 37104 | 1 | Air Cleaner Bracket |
| 242 | 33267 | 1 | Air Cleaner Bracket |
| 245 | 33268 | 1 | Air Cleaner Filter |
| 245A | 35881 | 1 | Air Cleaner Filter |
| 250 | 33269A | 1 | Air Cleaner Cover |
| 251 | 650513 | 1 | Wing Nut, 1/4-20 |
| 260 | 33375D | 1 | Blower Housing |
| 275 | 37150 | 1 | Muffler |
| 277 | 650273 | 2 | Screw, 5/16-18 x 5/8" |
| 279 | 650902 | 2 | Screw, 10-32 x 7/16" |
| 314 | 650873 | 2 | Screw, 1/4-20 x 3/4" |
| 315 | 611097 | 1 | Alternator Coil (Incl. 322, 322A & 32 3) |
| 320 | 611098A | 1 | Regulator (7 Amp) |
| 322A | 610921 | 1 | Connector Body |
| 322 | 610824 | 1 | Connector Body |
| 323 | 610922 | 1 | Terminal |
| 324 | 33177 | 1 | Terminal |
| 361 | 650990 | 4 | Screw, Torx T-30, 1/4-20 x 15/32" |
| 380 | 640108 | 1 | Carburetor (Incl. 184) |