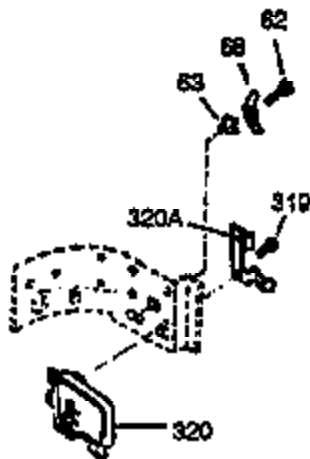
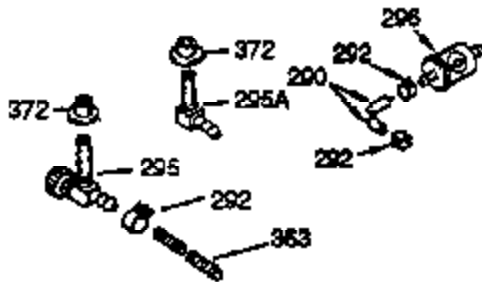


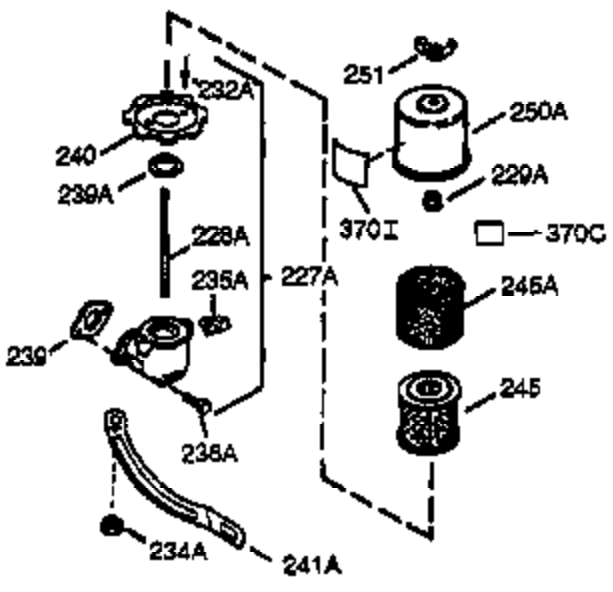
| Ref # | Part Number | Qty | Description   |
|-------|-------------|-----|---|
| 1     | 35371       |     | Cylinder (CI liner)(3-5/16")(Incl.2,2 0 & 72)                               |
| 2     | 27652       |     | Pin, Dowel  |
| 15A   | 30700       |     | Yoke, Governor  |
| 15B   | 650494      |     | Screw, 6-40 x 5/16"   |
| 15    | 30699C      |     | Rod Assy., Governor (Incl. 15A & 15B)                                       |
| 16    | 33454       |     | Governor Lever Assy.  |
| 17    | 29916       |     | Clamp, Governor lever   |
| 18    | 650548      |     | Screw, 8-32 x 5/16"   |
| 20    | 35319       |     | Seal, Oil   |
| 25    | 35256A      |     | Blower Housing Baffle (With electric starter knockout) (Use as required)    |
| 25    | 35326       |     | Baffle, Blower housing  |
| 25    | 29536       |     | Blower Housing Baffle (Without electric starter knockout) (Use as required) |
| 26    | 650561      |     | Screw, 1/4-20 x 5/8"  |
| 30    | 35441A      |     | Crankshaft  |
| 35    | 29826       |     | Screw, 10-32 x 3/4"   |
| 36    | 29918       |     | Lockwasher, #8 E.T.   |
| 37    | 29216       |     | Locknut, 10-32  |
| 37A   | 30322       |     | Nut & Lockwasher, 8-32  |
| 38    | 29642       |     | Ring, Retaining   |
| 40    | 35776       |     | Piston, Pin & Ring Set (Std.)(3-3/16" )                                     |
| 40    | 35777       |     | Piston, Pin & Ring Set (.010" OS)   |
| 40    | 35778       |     | Piston, Pin & Ring Set (.020" OS)   |
| 41    | 35773       |     | Piston & Pin Ass'y. (Std.)(3-5/16")(I ncl.43)                               |
| 41    | 35774       |     | Piston & Pin Ass'y. (.010" OS) (Incl. 43)                                   |
| 41    | 35775       |     | Piston & Pin Ass'y. (.020" OS) (Incl. 43)                                   |
| 42    | 35779       |     | Ring Set (Std.) (3-5/16" Bore)  |
| 42    | 35780       |     | Ring Set (.010" OS)   |
| 42    | 35781       |     | Ring Set (.020" OS)   |
| 43    | 35772       |     | Ring, Piston Pin retaining  |
| 45    | 35681       |     | Rod Assy., Connecting (Incl. 46, 47 & 49)                                   |
| 46    | 650908      |     | Bolt, Connecting rod  |
| 47    | 650882      |     | Connecting Rod Bolt (2 pcs. on early Specs.)                                |
| 48    | 34034       |     | Lifter, Valve   |
| 49    | 35374       |     | Dipper, Oil   |
| 50    | 35375       |     | Camshaft (MCR)  |
| 60    | 33273A      |     | Extension, Blower housing   |
| 64    | 650802      |     | Screw, 1/4-20 x 5/8"  |
| 65    | 650128      |     | Screw, 10-24 x 1/2"   |
| 69    | 35262       |     | * Gasket, Flange  |
| 70    | 35376       |     | Cover, Cylinder (Incl. 71, 75 & 80)   |
| 71    | 35377       |     | Bushing, Crankshaft   |
| 72    | 27642       |     | Plug, Oil drain   |
| 75    | 35319       |     | Seal, Oil   |
| 80    | 31845       |     | Shaft, Mechanical governor  |
| 81    | 30590A      |     | Washer, Flat  |
| 82    | 35378       |     | Gear Assy., Governor (Incl. 81)   |
| 83    | 30588A      |     | Spool, Governor   |
| 84    | 29193       |     | Ring, Retaining   |
| 86    | 650833      |     | Screw, 1/4-20 x 1-3/16 (Use as requir ed)                                   |
| 87    | 650832      |     | Screw, 1/4-20 x 1-11/16" (Use as requ ired)                                 |
| 89    | 32589       |     | Key, Flywheel   |
| 90    | 611091      |     | Flywheel (w/ring gear)  |
| 100   | 35135       |     | Solid State Assy.   |
| 102   | 650872      |     | Stud, Solid state mounting  |
| 103   | 650814      |     | Screw, Torx T-15, 10-24 x 1"  |

| Ref # | Part Number | Qty | Description  |
|-------|-------------|-----|--|
| 108   | 29783       |     | Pin, Crankshaft gear (Only serviceable when gear is pinned to crank.)                |
| 109   | 33245       |     | Gear, Crankshaft   |
| 119   | 34923A      |     | * Gasket, Cylinder head  |
| 120   | 34030A      |     | Head, Cylinder   |
| 125   | 27878A      |     | Exhaust Valve (Std.) (Incl. 151)   |
| 125   | 27880A      |     | Exhaust Valve (1/32" OS) (Incl. 151)   |
| 126   | 34035       |     | Intake Valve (Std.) (Incl. 151)  |
| 126   | 34036       |     | Intake Valve (1/32" OS) (Incl. 151)  |
| 127   | 650691      |     | Washer (Do not use with No. 6021A scr ew.)   |
| 128   | 650690      |     | Washer, Belleville (Use as required)   |
| 129   | 650727      |     | Screw, 5/16-18 x 1-3/4 (Use as required)   |
| 130   | 6021A       |     | Screw, 5/16-18 x 1-1/2" (Use as required, but do not use No. 650691 washer.)         |
| 130   | 650711      |     | Screw, 5/16-18 x 1-5/8" (Use as required) (Can use 6021A but discard 650691 washer.) |
| 130   | 650694A     |     | Screw, 5/16-18 x 2" (Use as required)  |
| 131A  | 650713      |     | Screw, 5/16-18 x 5/8"  |
| 131   | 650737      |     | Screw, 1/4-20 x 1/2" (Use as required)   |
| 131   | 650738      |     | Screw, 1/4-20 x 5/8 (Use as required)  |
| 133   | 650890      |     | Washer, Internal Lock  |
| 134   | 30747       |     | Clip, Spark plug shorting  |
| 135   | 33636       |     | Resistor Spark Plug  |
| 139   | 33369       |     | Bracket, Governor gear   |
| 140   | 650836      |     | Screw, 10-24 x 1/2"  |
| 149A  | 35862       |     | Seal Assy., Intake valve   |
| 150   | 27881       |     | Spring, Valve  |
| 151   | 32581       |     | Cap, Lower valve spring  |
| 169   | 27896A      |     | * Gasket, Breather   |
| 170   | 28423       |     | Body, Breather   |
| 171   | 28424       |     | Element, Breather  |
| 172   | 28425       |     | Cover, Breather  |
| 173   | 35350       |     | Tube, Breather   |
| 174   | 650128      |     | Screw, 10-24 x 1/2"  |
| 178   | 29752       |     | Nut & Lockwasher, 1/4-28   |
| 182   | 30088A      |     | Screw, 1/4-28 x 1"   |
| 184   | 33263       |     | * Gasket, Carburetor   |
| 185   | 34707       |     | Pipe, Intake   |
| 203   | 31342       |     | Spring, Compression  |
| 204   | 650549      |     | Screw, 5-40 x 7/16"  |
| 206   | 610973      |     | Terminal Assy.   |
| 207   | 33878       |     | Link, Governor lever-to-throttle   |
| 222A  |             |     | Pop Rivet (Can be purchased locally)   |
| 223   | 650378      |     | Screw, Torx T-30, 5/16-18 x 1-1/8"   |
| 224   | 27915A      |     | * Gasket, Intake pipe  |
| 250B  | 33269A      |     | Cover, Air cleaner   |
| 260   | 36243       |     | Blower Housing (Incl. 340)   |
| 261   | 650788      |     | Screw, 5/16-18 x 3/4"  |
| 262   | 29747B      |     | Screw, 5/16-24 x 21/32"  |
| 265   | 33272B      |     | Cover, Cylinder head   |
| 275   | 33280A      |     | Muffler  |
| 276   | 31588       |     | Plate, Muffler locking   |
| 276   | 35741       |     | Plate, Muffler locking   |
| 277   | 650729      |     | Screw, 5/16-18 x 3-3/16" (Use as required)   |
| 277   | 651002      |     | Screw, 5/16-18 x 4-1/4" (Use as required)  |
| 281   | 33013       |     | Cover, Starter bubble  |

| Ref # | Part Number  | Qty | Description  |
|-------|--------------|-----|--|
|       | 282 650760   |     | Screw, 8-32 x 7/16"  |
|       | 285 35287    |     | Cup, Starter   |
|       | 286 35446    |     | Screen, Starter  |
|       | 287 29752    |     | Nut, 1/4-28  |
|       | 290 29774    |     | Fuel Line (Braided 8-1/4")(21cm)(As required)  |
|       | 290 30962    |     | Fuel Line (Braided 32")(80cm)(As required)   |
|       | 291 30705    |     | Fuel Line (Braided 16")(40cm)(As required)   |
|       | 292 26460    |     | Fuel Line Clamp (Use as required)  |
|       | 298 650665   |     | Screw, 1/4-15 x 7/8"   |
|       | 300 34186A   |     | Fuel Tank (Incl. 292 & 301) NOTE: These tanks were built with different size fuel inlet openings. Tanks with the 1-3/16" I.D. opening use fuel cap 34210. Tanks with the 1-1/2" I.D. opening use fuel cap 35355. |
|       | 301 35650    |     | Fuel Cap (Red Plastic) (1.75" I.D.)  |
|       | 301A 410144B |     | Fuel Cap (White Plastic)(Standard) (Use as required) (1.5" I.D.)   |
|       | 301A 33032   |     | Fuel Cap (Red Plastic) (Spurt Resistant, Low Profile) (Use as required) (1.5" I.D.)  |
|       | 306 29673    |     | * Gasket, Oil filler   |
|       | 307 35499    |     | "O" Ring   |
|       | 310B 35941   |     | Dipstick (Incl. 306)   |
|       | 310 31297    |     | Dipstick (Incl. 307)   |
|       | 311 27625    |     | Oil Fill Plug (Incl. 312)  |
|       | 312 29673    |     | * Gasket, Oil filler plug  |
|       | 327 35392    |     | Plug, Starter  |
|       | 338A 31291   |     | Plug, Cover  |
|       | 340 34154    |     | Plate, Upper fuel tank mtg.  |
|       | 341 34155    |     | Bracket, Lower fuel tank mtg.  |
|       | 342 650561   |     | Screw, 1/4-20 x 5/8"   |
|       | 370A 34686   |     | Decal, Name  |
|       | 370 34346    |     | Decal, Instruction   |
|       | 370 35274    |     | Decal, Instruction   |
|       | 379 631021   |     | Inlet Needle, Seat & Clip Assy.  |
|       | 380 632242   |     | Carburetor (Incl. 184 & 379) (Refer to Division 5, Section A, page A4-4 for breakdown or Fiche 18B, Grid D-3)  |
|       | 390 590633   |     | Rewind Starter (Refer to Division 5, Section C, page 30 for breakdown or Fiche 18B, Grid G-1)  |
|       | 400 33279G   |     | * Gasket Set (Incl. items marked *)  |
|       | 420 730225   |     | SAE 30 4-Cycle Engine Oil (Quart)  |
|       | 421 730226   |     | SAE 5W30 4-Cycle Engine Oil (Quart)  |
|       | 422 35824    |     | Muffler Optional   |

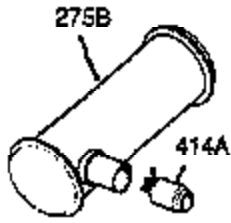


| Ref # | Part Number | Qty | Description  |
|-------|-------------|-----|--|
| 37A   | 30322       |     | Nut & Lockwasher, 8-32   |
| 64    | 650802      |     | Screw, 1/4-20 x 5/8"   |
| 129   | 650727      |     | Screw, 5/16-18 x 1-3/4 (Use as required)   |
| 131A  | 650713      |     | Screw, 5/16-18 x 5/8"  |
| 131   | 650737      |     | Screw, 1/4-20 x 1/2" (Use as required)   |
| 131   | 650738      |     | Screw, 1/4-20 x 5/8 (Use as required)  |
| 222A  |             |     | Pop Rivet (Can be purchased locally)   |
| 250B  | 33269A      |     | Cover, Air cleaner   |
| 274   | 35865       |     | Gasket, Exhaust  |
| 275   | 33280A      |     | Muffler  |
| 277   | 650729      |     | Screw, 5/16-18 x 3-3/16" (Use as required)   |
| 277   | 651002      |     | Screw, 5/16-18 x 4-1/4" (Use as required)  |
| 290   | 29774       |     | Fuel Line (Braided 8-1/4")(21cm)(As required)  |
| 290   | 30962       |     | Fuel Line (Braided 32")(80cm)(As required)   |
| 292   | 26460       |     | Fuel Line Clamp (Use as required)  |
| 298   | 650665      |     | Screw, 1/4-15 x 7/8"   |
| 300   | 34186A      |     | Fuel Tank (Incl. 292 & 301) NOTE: These tanks were built with different size fuel inlet openings. Tanks with the 1-3/16" I.D. opening use fuel cap 34210. Tanks with the 1-1/2" I.D. opening use fuel cap 35355. |
| 301   | 35650       |     | Fuel Cap (Red Plastic) (1.75" I.D.)  |
| 301A  | 410144B     |     | Fuel Cap (White Plastic)(Standard) (Use as required) (1.5" I.D.)   |
| 301A  | 33032       |     | Fuel Cap (Red Plastic) (Spurt Resistant, Low Profile) (Use as required) (1.5" I.D.)  |
| 306   | 29673       |     | * Gasket, Oil filler   |
| 310B  | 35941       |     | Dipstick (Incl. 306)   |
| 338A  | 31291       |     | Plug, Cover  |
| 341   | 34155       |     | Bracket, Lower fuel tank mtg.  |
| 342   | 650561      |     | Screw, 1/4-20 x 5/8"   |
| 414   | 33323       |     | Opt.Muffler Screen (Mini-Bike application)   |
| 415   | 730130      |     | Kit, Exhaust adapter (Incl. 274 & 277)   |
| 418   | 33700       |     | Cover & Tube, Muffler (use as required)  |
| 419   | 650578      |     | Screw, 8-18 x 3/8" (use as required)   |
| 421   | 730226      |     | SAE 5W30 4-Cycle Engine Oil (Quart)  |
| 422   | 35824       |     | Muffler Optional   |

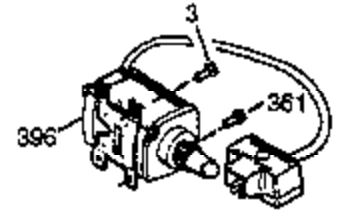


| Ref # | Part Number | Qty | Description   |
|-------|-------------|-----|---|
| 37A   | 30322       |     | Nut & Lockwasher, 8-32  |
| 64    | 650802      |     | Screw, 1/4-20 x 5/8"  |
| 129   | 650727      |     | Screw, 5/16-18 x 1-3/4 (Use as required)  |
| 131   | 650737      |     | Screw, 1/4-20 x 1/2" (Use as required)  |
| 131   | 650738      |     | Screw, 1/4-20 x 5/8 (Use as required)   |
| 131A  | 650713      |     | Screw, 5/16-18 x 5/8"   |
| 200B  | 730152      |     | Control Bracket (Incl.1158-1171)(As required)   |
| 203   | 31342       |     | Spring, Compression   |
| 204   | 650549      |     | Screw, 5-40 x 7/16"   |
| 222A  |             |     | Pop Rivet (Can be purchased locally)  |
| 227   | 730127      |     | Air Cleaner Ass'y. (Incl. 238, 239, 242, 246, 250) (Use as required)  |
| 238   | 28820       |     | Screw, 10-32 x 1/2"   |
| 239   | 27272A      |     | * Gasket, Air cleaner   |
| 241   | 33266       |     | Bracket, Air cleaner  |
| 242   | 33267       |     | Bracket, Air cleaner  |
| 245   | 33268       |     | Element, Air cleaner  |
| 250B  | 33269A      |     | Cover, Air cleaner  |
| 251   | 650513      |     | Nut, Wing 1/4-20  |
| 290   | 29774       |     | Fuel Line (Braided 8-1/4")(21cm)(As required)   |
| 290   | 30962       |     | Fuel Line (Braided 32")(80cm)(As required)  |
| 291   | 30705       |     | Fuel Line (Braided 16")(40cm)(As required)  |
| 293   | 33715       |     | Impulse Fuel Pump NOTE: 34385 and 33715 (WIP)pumps are replaced by 35813 and 35800 (WIP) pumps. The 33010 (3000 series) repair kit is still available. The 35791 repair kit is used with the 35813 and 35800 fuel pumps.    |
| 294   | 35791       |     | Fuel Pump Repair Kit NOTE: 34385 and 33715 (WIP)pumps are replaced by 35813 and 35800 (WIP) pumps. The 33010 (3000 series) repair kit is still available. The 35791 repair kit is used with the 35813 and 35800 fuel pumps. |
| 301A  | 410144B     |     | Fuel Cap (White Plastic)(Standard) (Use as required) (1.5" I.D.)  |
| 301A  | 33032       |     | Fuel Cap (Red Plastic) (Spurt Resistant, Low Profile) (Use as required) (1.5" I.D.)   |
| 303   | 32958       |     | Fitting, Fuel   |
| 306   | 29673       |     | * Gasket, Oil filler  |
| 310B  | 35941       |     | Dipstick (Incl. 306)  |
| 327   | 35392       |     | Plug, Starter   |
| 338A  | 31291       |     | Plug, Cover   |
| 370   | 34346       |     | Decal, Instruction  |
| 370   | 35274       |     | Decal, Instruction  |
| 421   | 730226      |     | SAE 5W30 4-Cycle Engine Oil (Quart)   |
| 422   | 35824       |     | Muffler Optional  |
| 1159  | 30312       |     | Screw, 10-32 x 1/2"   |
| 1160  | 28820       |     | Screw, 10-32 x 1/2"   |
| 1160  | 27070       |     | Lockwasher  |
| 1185  | 33816       |     | Hub & Screen Assy.  |

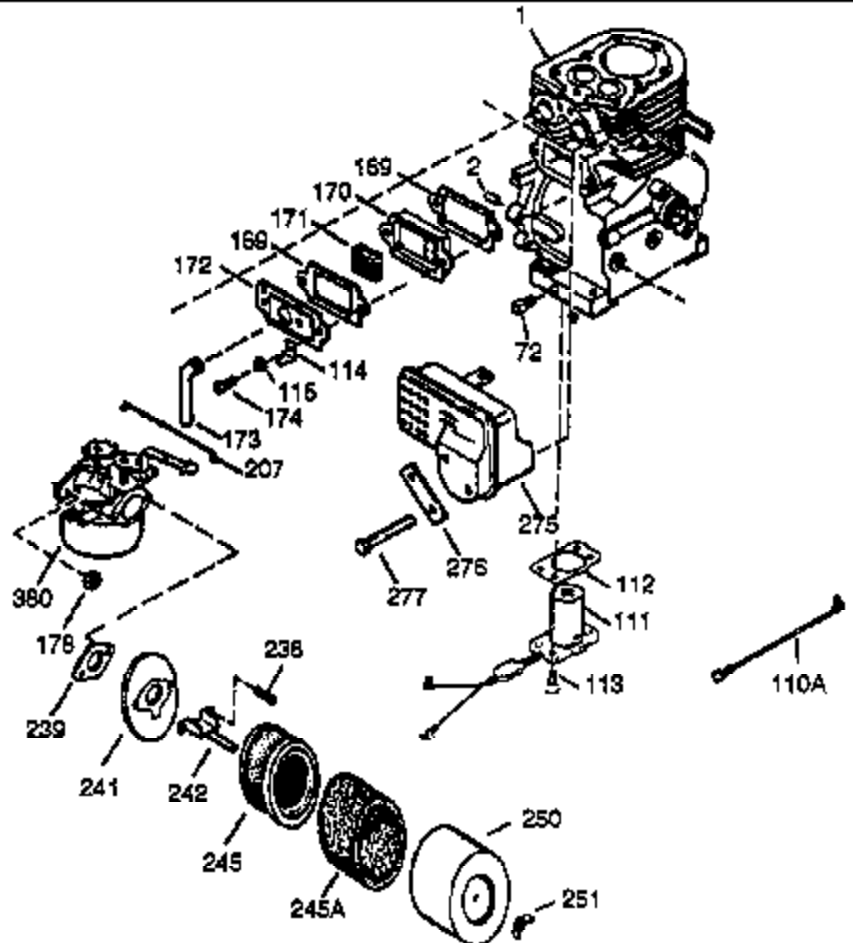
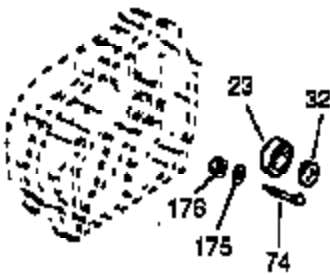
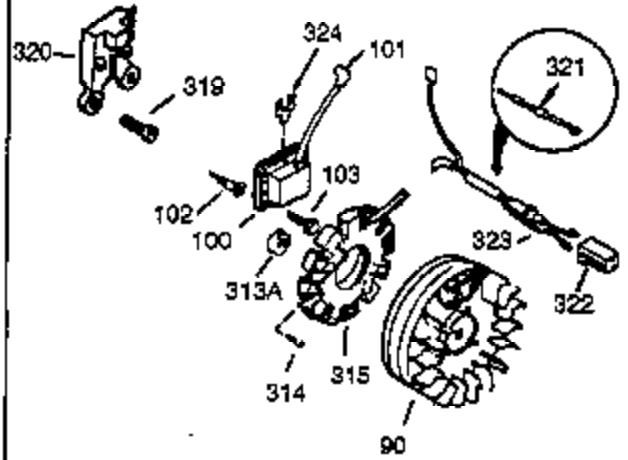
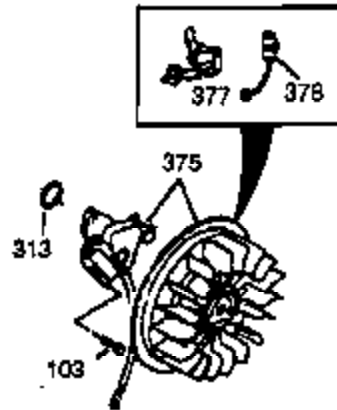
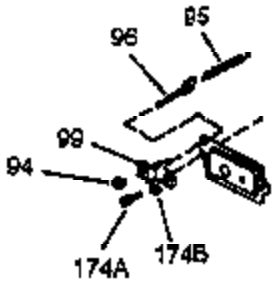




OPTIONAL MUFFLER  
(QUIET)



OPTIONAL 110-120 VOLT  
STARTER MOTOR KIT



| Ref # | Part Number | Qty | Description   |
|-------|-------------|-----|---|
| 1     | 35371       |     | Cylinder (Cl liner)(3-5/16")(Incl.2,2 0 & 72)   |
| 2     | 27652       |     | Pin, Dowel  |
| 37A   | 30322       |     | Nut & Lockwasher, 8-32  |
| 64    | 650802      |     | Screw, 1/4-20 x 5/8"  |
| 72    | 27642       |     | Plug, Oil drain   |
| 90    | 611091      |     | Flywheel (w/ring gear)  |
| 94    | 33450       |     | Lock Nut, 10-32   |
| 95    | 30886A      |     | Spring, Governor bolt   |
| 96    | 30845A      |     | Bolt, Governor adjusting  |
| 100   | 35135       |     | Solid State Assy.   |
| 102   | 650872      |     | Stud, Solid state mounting  |
| 103   | 650814      |     | Screw, Torx T-15, 10-24 x 1"  |
| 129   | 650727      |     | Screw, 5/16-18 x 1-3/4 (Use as required)  |
| 131   | 650737      |     | Screw, 1/4-20 x 1/2" (Use as required)  |
| 131   | 650738      |     | Screw, 1/4-20 x 5/8 (Use as required)   |
| 131A  | 650713      |     | Screw, 5/16-18 x 5/8"   |
| 169   | 27896A      |     | * Gasket, Breather  |
| 170   | 28423       |     | Body, Breather  |
| 171   | 28424       |     | Element, Breather   |
| 172   | 28425       |     | Cover, Breather   |
| 173   | 35350       |     | Tube, Breather  |
| 174   | 650128      |     | Screw, 10-24 x 1/2"   |
| 178   | 29752       |     | Nut & Lockwasher, 1/4-28  |
| 207   | 33878       |     | Link, Governor lever-to-throttle  |
| 222A  |             |     | Pop Rivet (Can be purchased locally)  |
| 238   | 28820       |     | Screw, 10-32 x 1/2"   |
| 239   | 27272A      |     | * Gasket, Air cleaner   |
| 241   | 33266       |     | Bracket, Air cleaner  |
| 242   | 33267       |     | Bracket, Air cleaner  |
| 245   | 33268       |     | Element, Air cleaner  |
| 250B  | 33269A      |     | Cover, Air cleaner  |
| 251   | 650513      |     | Nut, Wing 1/4-20  |
| 275   | 33280A      |     | Muffler   |
| 275B  | 391026      |     | Muffler (Incl. 284, 284A & 416) (This spark arrester muffler can be used on any model.)                       |
| 276   | 31588       |     | Plate, Muffler locking  |
| 276   | 35741       |     | Plate, Muffler locking  |
| 277   | 650729      |     | Screw, 5/16-18 x 3-3/16" (Use as required)  |
| 277   | 651002      |     | Screw, 5/16-18 x 4-1/4" (Use as required)   |
| 301A  | 410144B     |     | Fuel Cap (White Plastic)(Standard) (Use as required) (1.5" I.D.)  |
| 301A  | 33032       |     | Fuel Cap (Red Plastic) (Spurt Resistant, Low Profile) (Use as required) (1.5" I.D.)                           |
| 306   | 29673       |     | * Gasket, Oil filler  |
| 310B  | 35941       |     | Dipstick (Incl. 306)  |
| 313A  | 33876       |     | Gasket, Stator (Used only on Std. point ign.)   |
| 338A  | 31291       |     | Plug, Cover   |
| 377   | 30547A      |     | Breaker Points (Use with Std. point ign.)   |
| 380   | 632242      |     | Carburetor (Incl. 184 & 379) (Refer to Division 5, Section A, page A4-4 for breakdown or Fiche 18B, Grid D-3) |
| 421   | 730226      |     | SAE 5W30 4-Cycle Engine Oil (Quart)   |
| 422   | 35824       |     | Muffler Optional  |