

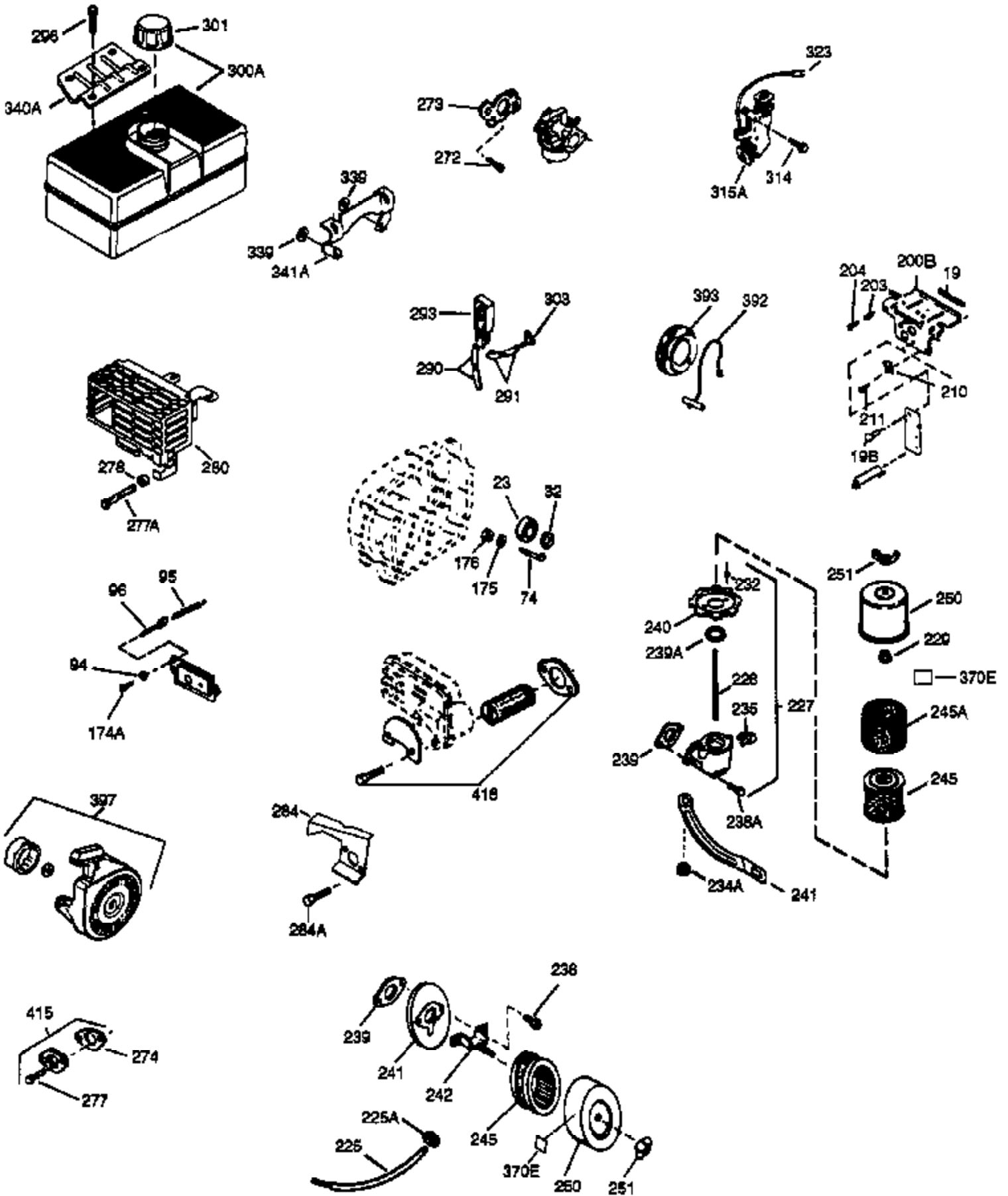
Engine Parts List #1

| Ref # | Part Number | Qty | Description |
|-------|-------------|-----|--|
| | 1 35371 | | Cylinder (CI liner)(3-5/16")(Incl.2,2 0 & 72) |
| | 2 27652 | | Pin, Dowel |
| | 3 650820 | | Screw, 1/4-20 x 1/2" |
| | 4 30968 | | Nipple, Oil drain |
| | 5 30969 | | Cap, Oil drain |
| | 15B 650494 | | Screw, 6-40 x 5/16" |
| | 15A 30700 | | Yoke, Governor |
| | 15 30699C | | Rod Assy., Governor (Incl. 15A & 15B) |
| | 16 33454 | | Governor Lever Assy. |
| | 17 29916 | | Clamp, Governor lever |
| | 18 650548 | | Screw, 8-32 x 5/16" |
| | 20 35319 | | Seal, Oil |
| | 25 29536 | | Blower Housing Baffle (Without electric starter knockout) (Use as required) |
| | 25 35256A | | Blower Housing Baffle (With electric starter knockout) (Use as required) |
| | 25 35326 | | Baffle, Blower housing |
| | 26 650561 | | Screw, 1/4-20 x 5/8" |
| | 30 35443A | | Crankshaft |
| | 35 29826 | | Screw, 10-32 x 3/4" |
| | 36 29918 | | Lockwasher, #8 E.T. |
| | 37 29216 | | Locknut, 10-32 |
| | 37A 30322 | | Nut & Lockwasher, 8-32 |
| | 38 29642 | | Ring, Retaining |
| | 40 34860A | | Piston, Pin & Ring Set (Std.)(3-5/16") |
| | 40 34861A | | Piston, Pin & Ring Set (.010" OS) |
| | 40 34862A | | Piston, Pin & Ring Set (.020" OS) |
| | 41 34863 | | Piston & Pin Ass'y. (Std.)(3-5/16")(I ncl.43) |
| | 41 34864 | | Piston & Pin Ass'y. (.010" OS) (Incl. 43) |
| | 41 34865 | | Piston & Pin Ass'y. (.020" OS) (Incl. 43) |
| | 42 34866A | | Ring Set (Std.) (3-5/16" Bore) |
| | 42 34867A | | Ring Set (.010" OS) |
| | 42 34868A | | Ring Set (.020" OS) |
| | 43 27888 | | Ring, Piston Pin retaining |
| | 45 35373A | | Rod Assy., Connecting (Incl. 46, 47 & 49) |
| | 46 650908 | | Bolt, Connecting rod |
| | 47 650882 | | Connecting Rod Bolt (2 pcs. on early Specs.) |
| | 48 34034 | | Lifter, Valve |
| | 49 35374 | | Dipper, Oil |
| | 50 35375 | | Camshaft (MCR) |
| | 60 33273A | | Extension, Blower housing |
| | 61 34126 | | Bracket, Grommet mounting |
| | 62 650760 | | Screw, 8-32 x 3/8" |
| | 63 28545 | | Grommet, Plastic |
| | 64 650802 | | Screw, 1/4-20 x 5/8" |
| | 65 650128 | | Screw, 10-24 x 1/2" |
| | 69 35262 | | * Gasket, Flange |
| | 70 35376 | | Cover, Cylinder (Incl. 71, 75 & 80) |
| | 71 35377 | | Bushing, Crankshaft |
| | 72 27642 | | Plug, Oil drain |
| | 75 35319 | | Seal, Oil |
| | 80 31845 | | Shaft, Mechanical governor |
| | 81 30590A | | Washer, Flat |
| | 82 35378 | | Gear Assy., Governor (Incl. 81) |
| | 83 30588A | | Spool, Governor |
| | 84 29193 | | Ring, Retaining |
| | 86 650833 | | Screw, 1/4-20 x 1-3/16 (Use as requir ed) |

| Ref # | Part Number | Qty | Description |
|-------|-------------|-----|--|
| | 87 650832 | | Screw, 1/4-20 x 1-11/16" (Use as required) |
| | 89 32589 | | Key, Flywheel |
| | 90 611091 | | Flywheel (w/ring gear) |
| | 92 650880 | | Washer, Lock |
| | 93 650881 | | Nut, 5/8-18 |
| | 100 35135 | | Solid State Assy. |
| | 101 610118 | | Cover, Spark plug |
| | 102 650872 | | Stud, Solid state mounting |
| | 103 650814 | | Screw, Torx T-15, 10-24 x 1" |
| | 108 29783 | | Pin, Crankshaft gear (Only serviceable when gear is pinned to crank.) |
| | 109 33245 | | Gear, Crankshaft |
| | 110 35253 | | Ground Wire |
| | 119 34923A | | * Gasket, Cylinder head |
| | 120 34030A | | Head, Cylinder |
| | 125 27878A | | Exhaust Valve (Std.) (Incl. 151) |
| | 125 27880A | | Exhaust Valve (1/32" OS) (Incl. 151) |
| | 126 34035 | | Intake Valve (Std.) (Incl. 151) |
| | 126 34036 | | Intake Valve (1/32" OS) (Incl. 151) |
| | 127 650691 | | Washer (Do not use with No. 6021A screw.) |
| | 128 650690 | | Washer, Belleville (Use as required) |
| | 129 650727 | | Screw, 5/16-18 x 1-3/4 (Use as required) |
| | 130 6021A | | Screw, 5/16-18 x 1-1/2" (Use as required, but do not use No. 650691 washer.) |
| | 130 650711 | | Screw, 5/16-18 x 1-5/8" (Use as required) (Can use 6021A but discard 650691 washer.) |
| | 130 650694A | | Screw, 5/16-18 x 2" (Use as required) |
| | 131A 650713 | | Screw, 5/16-18 x 5/8" |
| | 131 650737 | | Screw, 1/4-20 x 1/2" (Use as required) |
| | 131 650738 | | Screw, 1/4-20 x 5/8 (Use as required) |
| | 133 650890 | | Washer, Internal Lock |
| | 135 35395 | | Resistor Spark Plug |
| | 139 33369 | | Bracket, Governor gear |
| | 140 650836 | | Screw, 10-24 x 1/2" |
| | 149A 35862 | | Seal Assy., Intake valve |
| | 150 27881 | | Spring, Valve |
| | 151 32581 | | Cap, Lower valve spring |
| | 169 27896A | | * Gasket, Breather |
| | 170 28423 | | Body, Breather |
| | 171 28424 | | Element, Breather |
| | 172 28425 | | Cover, Breather |
| | 173 35350 | | Tube, Breather |
| | 174 650128 | | Screw, 10-24 x 1/2" |
| | 178 29752 | | Nut & Lockwasher, 1/4-28 |
| | 182 30088A | | Screw, 1/4-28 x 1" |
| | 183 34587 | | Bracket, Choke |
| | 184 33263 | | * Gasket, Carburetor |
| | 185 33877 | | Pipe, Intake |
| | 186 34667 | | Link, Governor lever |
| | 200 34677 | | Control Bracket (Incl. 19, 203, 204, 206, 209) |
| | 203 31342 | | Spring, Compression |
| | 204 650549 | | Screw, 5-40 x 7/16" |
| | 206 610973 | | Terminal Assy. |
| | 207 33878 | | Link, Governor lever-to-throttle |
| | 209 650821 | | Screw, 10-32 x 1/2" |
| | 215 35440 | | Knob, Speed control |

| Ref # | Part Number | Qty | Description |
|-------|-------------|-----|---|
| 219 | 34586 | | Rod, Choke |
| 220 | 35438 | | Knob, Control |
| 222A | | | Pop Rivet (Can be purchased locally) |
| 222 | 28820 | | Screw, 10-32 x 1/2" |
| 223 | 650378 | | Screw, Torx T-30, 5/16-18 x 1-1/8" |
| 224 | 27915A | | * Gasket, Intake pipe |
| 260 | 34822A | | Blower Housing |
| 261 | 650788 | | Screw, 5/16-18 x 3/4" |
| 262 | 29747B | | Screw, 5/16-24 x 21/32" |
| 265 | 33272B | | Cover, Cylinder head |
| 275C | 35056 | | Muffler |
| 276 | 31588 | | Plate, Muffler locking |
| 276 | 35741 | | Plate, Muffler locking |
| 277 | 650729 | | Screw, 5/16-18 x 3-3/16" (Use as required) |
| 277 | 651002 | | Screw, 5/16-18 x 4-1/4" (Use as required) |
| 281 | 33013 | | Cover, Starter bubble |
| 282 | 650760 | | Screw, 8-32 x 7/16" |
| 285 | 35287 | | Cup, Starter |
| 286 | 35446 | | Screen, Starter |
| 287 | 29752 | | Nut, 1/4-28 |
| 290 | 29774 | | Fuel Line (Braided 8-1/4")(21cm)(As required) |
| 290 | 30962 | | Fuel Line (Braided 32")(80cm)(As required) |
| 291 | 30705 | | Fuel Line (Braided 16")(40cm)(As required) |
| 292 | 26460 | | Fuel Line Clamp (Use as required) |
| 294 | 35791 | | Fuel Pump Repair Kit NOTE: 34385 and 33715 (WIP)pumps are replaced by 35813 and 35800 (WIP) pumps. The 33010 (3000 series) repair kit is still available. The 35791 repair kit is used with the 35813 and 35800 fuel pumps. |
| 295 | 32961 | | Valve, Fuel shut-off |
| 298 | 650665 | | Screw, 1/4-15 x 7/8" |
| 300 | 34156A | | Fuel Tank (Incl. 292 & 301) NOTE: These tanks were built with different size fuel inlet openings. Tanks with the 1-3/16" I.D. opening use fuel cap 34210. Tanks with the 1-1/2" I.D. opening use fuel cap 35355. |
| 301A | 410144B | | Fuel Cap (White Plastic)(Standard) (Use as required) (1.5" I.D.) |
| 301A | 33032 | | Fuel Cap (Red Plastic) (Spurt Resistant, Low Profile) (Use as required) (1.5" I.D.) |
| 301A | 34210 | | Fuel Cap (Red Plastic) (Spurt Resistant, High Profile) (Use as required) (1.5" I.D.) |
| 305 | 33893A | | Oil Fill Tube |
| 307 | 33590 | | "O" Ring |
| 310 | 34011A | | Dipstick (Incl. 307) |
| 325A | 29443 | | Clip, Fuel line |
| 327 | 35392 | | Plug, Starter |
| 328 | 35062 | | Ignition Key |
| 329 | 610973 | | Terminal Assy. |
| 336 | 650765 | | Screw, 10-32 x 1/2" |
| 337 | 35057A | | Cover, Carburetor (Incl. 329) |
| 338A | 31291 | | Plug, Cover |
| 338 | 28942 | | Screw, Sems 10-32 x 3/8" |
| 340 | 34154 | | Plate, Upper fuel tank mtg. |
| 341 | 34155 | | Bracket, Lower fuel tank mtg. |
| 342 | 650561 | | Screw, 1/4-20 x 5/8" |
| 350 | 570682 | | Primer Assy. |

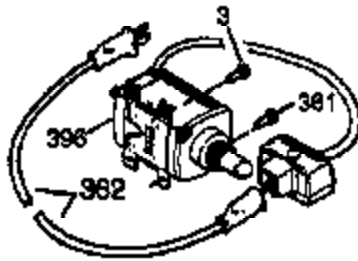
| Ref # | Part Number | Qty | Description |
|-------|-------------|-----|--|
| 351 | 32180C | | Line, Primer |
| 356 | 650168 | | Washer |
| 364 | 33377 | | Bracket, Carburetor cover mtg. |
| 365 | 650767 | | Screw, 8-32 x 27/64" |
| 370D | 34417 | | Decal, Primer |
| 370A | 34686 | | Decal, Name |
| 370 | 34416 | | Decal, Instruction |
| 370 | 35274 | | Decal, Instruction |
| 370 | 35077 | | Decal, Instruction |
| 379 | 631021 | | Inlet Needle, Seat & Clip Assy. |
| 380 | 632370 | | Carburetor (Incl. 184 & 379) (Refer to Division 5, Section A, page 200 for breakdown or Fiche18B, Grid E-13) |
| 390 | 590630 | | Rewind Starter (Refer to Division 5, Section C, page 30 for breakdown or Fiche 18B, Grid G-1) |
| 400 | 33279G | | * Gasket Set (Incl. items marked *) |
| 414 | 33323 | | Opt.Muffler Screen (Mini-Bike applica tion) |
| 418 | 33700 | | Cover & Tube, Muffler (use as require d) |
| 419 | 650578 | | Screw, 8-18 x 3/8" (use as required) |
| 420 | 730225 | | SAE 30 4-Cycle Engine Oil (Quart) |
| 421 | 730226 | | SAE 5W30 4-Cycle Engine Oil (Quart) |
| 422 | 35824 | | Muffler Optional |
| 1159 | 30312 | | Screw, 10-32 x 1/2" |
| 1160 | 28820 | | Screw, 10-32 x 1/2" |
| 1160 | 27070 | | Lockwasher |
| 1185 | 33816 | | Hub & Screen Assy. |



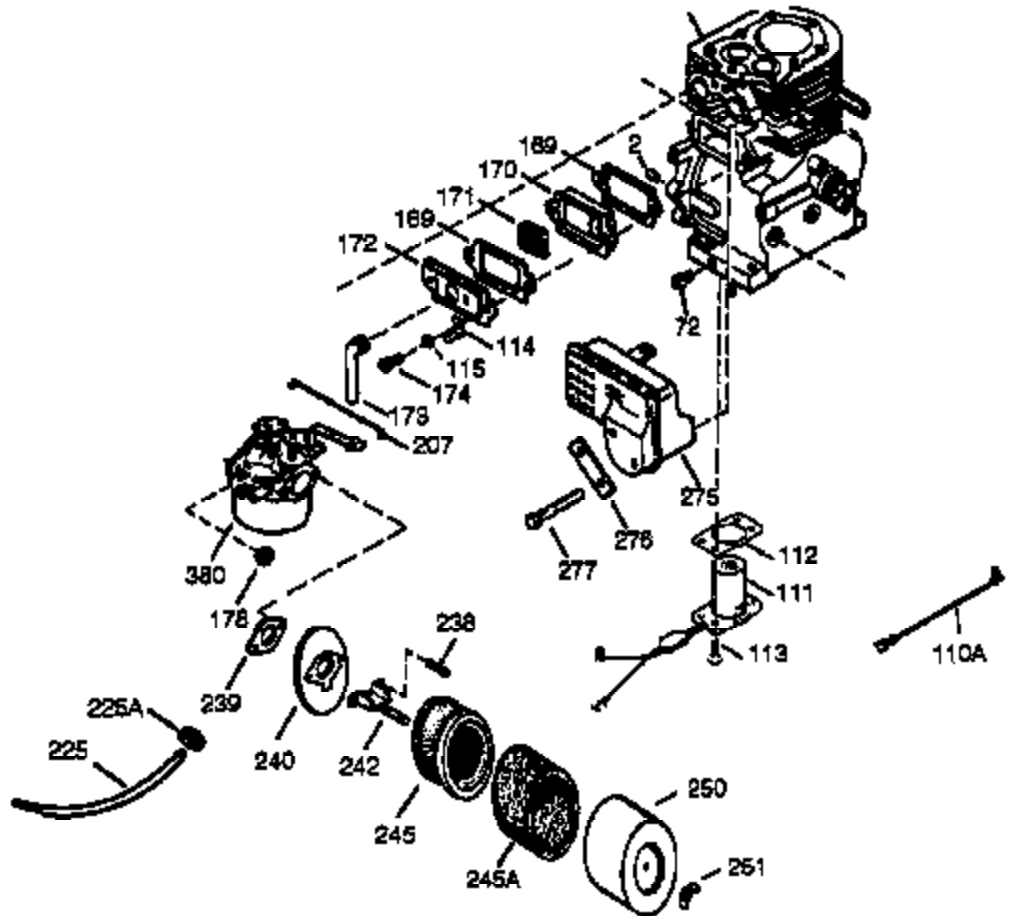
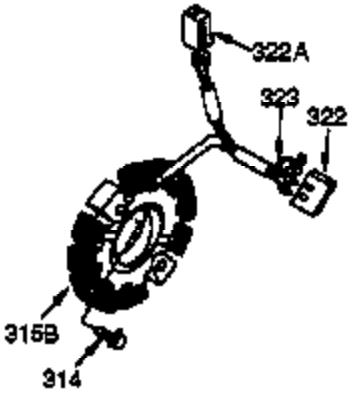
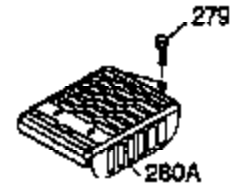
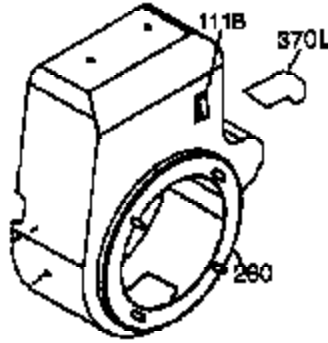
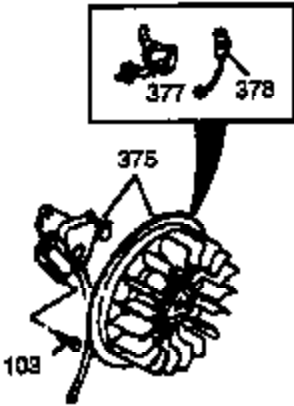
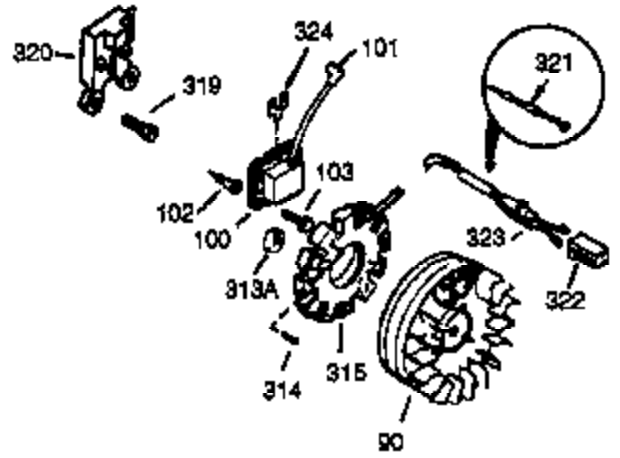
| Ref # | Part Number | Qty | Description |
|-------|-------------|-----|--|
| 37A | 30322 | | Nut & Lockwasher, 8-32 |
| 64 | 650802 | | Screw, 1/4-20 x 5/8" |
| 108 | 29783 | | Pin, Crankshaft gear (Only serviceable when gear is pinned to crank.) |
| 129 | 650727 | | Screw, 5/16-18 x 1-3/4 (Use as required) |
| 131A | 650713 | | Screw, 5/16-18 x 5/8" |
| 131 | 650737 | | Screw, 1/4-20 x 1/2" (Use as required) |
| 131 | 650738 | | Screw, 1/4-20 x 5/8 (Use as required) |
| 200B | 730152 | | Control Bracket (Incl.1158-1171)(As required) |
| 203 | 31342 | | Spring, Compression |
| 204 | 650549 | | Screw, 5-40 x 7/16" |
| 222A | | | Pop Rivet (Can be purchased locally) |
| 227 | 730127 | | Air Cleaner Ass'y. (Incl. 238, 239, 242, 246, 250) (Use as required) |
| 274 | 35865 | | Gasket, Exhaust |
| 277 | 650729 | | Screw, 5/16-18 x 3-3/16" (Use as required) |
| 277 | 651002 | | Screw, 5/16-18 x 4-1/4" (Use as required) |
| 290 | 29774 | | Fuel Line (Braided 8-1/4")(21cm)(As required) |
| 290 | 30962 | | Fuel Line (Braided 32")(80cm)(As required) |
| 291 | 30705 | | Fuel Line (Braided 16")(40cm)(As required) |
| 293 | 33715 | | Impulse Fuel Pump NOTE: 34385 and 33715 (WIP)pumps are replaced by 35813 and 35800 (WIP) pumps. The 33010 (3000 series) repair kit is still available. The 35791 repair kit is used with the 35813 and 35800 fuel pumps. |
| 298 | 650665 | | Screw, 1/4-15 x 7/8" |
| 301A | 410144B | | Fuel Cap (White Plastic)(Standard) (Use as required) (1.5" I.D.) |
| 301A | 33032 | | Fuel Cap (Red Plastic) (Spurt Resistant, Low Profile) (Use as required) (1.5" I.D.) |
| 301A | 34210 | | Fuel Cap (Red Plastic) (Spurt Resistant, High Profile) (Use as required) (1.5" I.D.) |
| 303 | 32958 | | Fitting, Fuel |
| 337 | 35057A | | Cover, Carburetor (Incl. 329) |
| 338A | 31291 | | Plug, Cover |
| 370D | 34417 | | Decal, Primer |
| 370E | 34414 | | Decal, Warning |
| 379 | 631021 | | Inlet Needle, Seat & Clip Assy. |
| 414 | 33323 | | Opt.Muffler Screen (Mini-Bike application) |
| 415 | 730130 | | Kit, Exhaust adapter (Incl. 274 & 277) |
| 418 | 33700 | | Cover & Tube, Muffler (use as required) |
| 419 | 650578 | | Screw, 8-18 x 3/8" (use as required) |
| 422 | 35824 | | Muffler Optional |
| 1159 | 30312 | | Screw, 10-32 x 1/2" |
| 1160 | 28820 | | Screw, 10-32 x 1/2" |
| 1160 | 27070 | | Lockwasher |
| 1185 | 33816 | | Hub & Screen Assy. |



OPTIONAL MUFFLER
(QUIET)



OPTIONAL 110-120 VOLT
STARTER MOTOR KIT



| Ref # | Part Number | Qty | Description |
|-------|--------------|-----|--|
| | 2 27652 | | Pin, Dowel |
| | 3 650820 | | Screw, 1/4-20 x 1/2" |
| | 37A 30322 | | Nut & Lockwasher, 8-32 |
| | 64 650802 | | Screw, 1/4-20 x 5/8" |
| | 72 27642 | | Plug, Oil drain |
| | 90 611091 | | Flywheel (w/ring gear) |
| | 100 35135 | | Solid State Assy. |
| | 101 610118 | | Cover, Spark plug |
| | 102 650872 | | Stud, Solid state mounting |
| | 103 650814 | | Screw, Torx T-15, 10-24 x 1" |
| | 108 29783 | | Pin, Crankshaft gear (Only serviceable when gear is pinned to crank.) |
| | 129 650727 | | Screw, 5/16-18 x 1-3/4 (Use as required) |
| | 131A 650713 | | Screw, 5/16-18 x 5/8" |
| | 131 650737 | | Screw, 1/4-20 x 1/2" (Use as required) |
| | 131 650738 | | Screw, 1/4-20 x 5/8 (Use as required) |
| | 169 27896A | | * Gasket, Breather |
| | 170 28423 | | Body, Breather |
| | 171 28424 | | Element, Breather |
| | 172 28425 | | Cover, Breather |
| | 173 35350 | | Tube, Breather |
| | 174 650128 | | Screw, 10-24 x 1/2" |
| | 178 29752 | | Nut & Lockwasher, 1/4-28 |
| | 207 33878 | | Link, Governor lever-to-throttle |
| | 222A | | Pop Rivet (Can be purchased locally) |
| | 260 34822A | | Blower Housing |
| | 276 31588 | | Plate, Muffler locking |
| | 276 35741 | | Plate, Muffler locking |
| | 277 650729 | | Screw, 5/16-18 x 3-3/16" (Use as required) |
| | 277 651002 | | Screw, 5/16-18 x 4-1/4" (Use as required) |
| | 301A 410144B | | Fuel Cap (White Plastic)(Standard) (Use as required) (1.5" I.D.) |
| | 301A 33032 | | Fuel Cap (Red Plastic) (Spurt Resistant, Low Profile) (Use as required) (1.5" I.D.) |
| | 301A 34210 | | Fuel Cap (Red Plastic) (Spurt Resistant, High Profile) (Use as required) (1.5" I.D.) |
| | 313A 33876 | | Gasket, Stator (Used only on Std. point ign.) |
| | 330 35305 | | Wire, Ground |
| | 337 35057A | | Cover, Carburetor (Incl. 329) |
| | 338A 31291 | | Plug, Cover |
| | 370D 34417 | | Decal, Primer |
| | 377 30547A | | Breaker Points (Use with Std. point ign.) |
| | 379 631021 | | Inlet Needle, Seat & Clip Assy. |
| | 380 632370 | | Carburetor (Incl. 184 & 379) (Refer to Division 5, Section A, page 200 for breakdown or Fiche18B, Grid E-13) |
| | 414 33323 | | Opt.Muffler Screen (Mini-Bike application) |
| | 418 33700 | | Cover & Tube, Muffler (use as required) |
| | 419 650578 | | Screw, 8-18 x 3/8" (use as required) |
| | 422 35824 | | Muffler Optional |
| | 1159 30312 | | Screw, 10-32 x 1/2" |
| | 1160 28820 | | Screw, 10-32 x 1/2" |
| | 1160 27070 | | Lockwasher |
| | 1185 33816 | | Hub & Screen Assy. |