

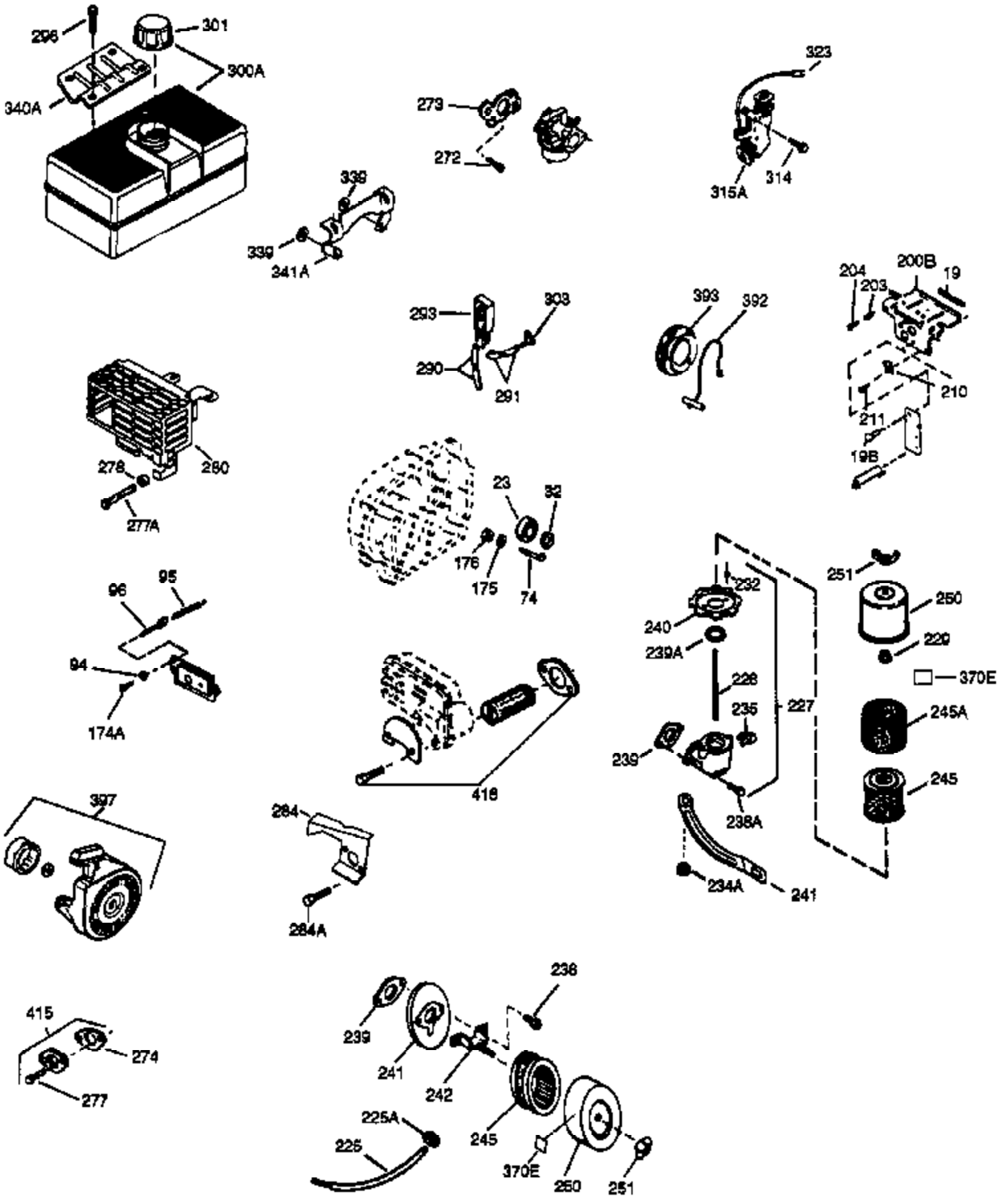
## Engine Parts List #1

| Ref # | Part Number | Qty | Description  |
|-------|-------------|-----|--|
|       | 1 35371     |     | Cylinder (CI liner)(3-5/16")(Incl.2,2 0 & 72)                                  |
|       | 2 27652     |     | Pin, Dowel   |
|       | 3 650820    |     | Screw, 1/4-20 x 1/2"   |
|       | 4 30968     |     | Nipple, Oil drain  |
|       | 5 30969     |     | Cap, Oil drain   |
|       | 15 30699C   |     | Rod Assy., Governor (Incl. 15A & 15B)  |
|       | 15B 650494  |     | Screw, 6-40 x 5/16"  |
|       | 15A 30700   |     | Yoke, Governor   |
|       | 16 33454    |     | Governor Lever Assy.   |
|       | 17 29916    |     | Clamp, Governor lever  |
|       | 18 650548   |     | Screw, 8-32 x 5/16"  |
|       | 20 35319    |     | Seal, Oil  |
|       | 25 29536    |     | Blower Housing Baffle (Without electric starter knockout)<br>(Use as required) |
|       | 25 35256A   |     | Blower Housing Baffle (With electric starter knockout) (Use<br>as required)    |
|       | 25 35326    |     | Baffle, Blower housing   |
|       | 26 650561   |     | Screw, 1/4-20 x 5/8"   |
|       | 30 35443A   |     | Crankshaft   |
|       | 35 29826    |     | Screw, 10-32 x 3/4"  |
|       | 36 29918    |     | Lockwasher, #8 E.T.  |
|       | 37 29216    |     | Locknut, 10-32   |
|       | 37A 30322   |     | Nut & Lockwasher, 8-32   |
|       | 38 29642    |     | Ring, Retaining  |
|       | 40 34860A   |     | Piston, Pin & Ring Set (Std.)(3-5/16" )  |
|       | 40 34861A   |     | Piston, Pin & Ring Set (.010" OS)  |
|       | 40 34862A   |     | Piston, Pin & Ring Set (.020" OS)  |
|       | 41 34863    |     | Piston & Pin Ass'y. (Std.)(3-5/16")(I ncl.43)                                  |
|       | 41 34864    |     | Piston & Pin Ass'y. (.010" OS) (Incl. 43)                                      |
|       | 41 34865    |     | Piston & Pin Ass'y. (.020" OS) (Incl. 43)                                      |
|       | 42 34866A   |     | Ring Set (Std.) (3-5/16" Bore)   |
|       | 42 34867A   |     | Ring Set (.010" OS)  |
|       | 42 34868A   |     | Ring Set (.020" OS)  |
|       | 43 27888    |     | Ring, Piston Pin retaining   |
|       | 45 35373A   |     | Rod Assy., Connecting (Incl. 46, 47 & 49)                                      |
|       | 46 650908   |     | Bolt, Connecting rod   |
|       | 47 650882   |     | Connecting Rod Bolt (2 pcs. on early Specs.)                                   |
|       | 48 34034    |     | Lifter, Valve  |
|       | 49 35374    |     | Dipper, Oil  |
|       | 50 35375    |     | Camshaft (MCR)   |
|       | 60 33273A   |     | Extension, Blower housing  |
|       | 61 34126    |     | Bracket, Grommet mounting  |
|       | 62 650760   |     | Screw, 8-32 x 3/8"   |
|       | 63 28545    |     | Grommet, Plastic   |
|       | 64 650802   |     | Screw, 1/4-20 x 5/8"   |
|       | 65 650128   |     | Screw, 10-24 x 1/2"  |
|       | 69 35262    |     | * Gasket, Flange   |
|       | 70 35376    |     | Cover, Cylinder (Incl. 71, 75 & 80)  |
|       | 71 35377    |     | Bushing, Crankshaft  |
|       | 72 27642    |     | Plug, Oil drain  |
|       | 75 35319    |     | Seal, Oil  |
|       | 80 31845    |     | Shaft, Mechanical governor   |
|       | 81 30590A   |     | Washer, Flat   |
|       | 82 35378    |     | Gear Assy., Governor (Incl. 81)  |
|       | 83 30588A   |     | Spool, Governor  |
|       | 84 29193    |     | Ring, Retaining  |
|       | 86 650833   |     | Screw, 1/4-20 x 1-3/16 (Use as requir ed)                                      |

| Ref # | Part Number | Qty | Description  |
|-------|-------------|-----|--|
| 87    | 650832      |     | Screw, 1/4-20 x 1-11/16" (Use as required)   |
| 89    | 32589       |     | Key, Flywheel  |
| 90    | 611091      |     | Flywheel (w/ring gear)   |
| 92    | 650880      |     | Washer, Lock   |
| 93    | 650881      |     | Nut, 5/8-18  |
| 100   | 35135       |     | Solid State Assy.  |
| 101   | 610118      |     | Cover, Spark plug  |
| 102   | 650872      |     | Stud, Solid state mounting   |
| 103   | 650814      |     | Screw, Torx T-15, 10-24 x 1"   |
| 108   | 29783       |     | Pin, Crankshaft gear (Only serviceable when gear is pinned to crank.)                |
| 109   | 33245       |     | Gear, Crankshaft   |
| 110   | 35253       |     | Ground Wire  |
| 119   | 34923A      |     | * Gasket, Cylinder head  |
| 120   | 34030A      |     | Head, Cylinder   |
| 125   | 27878A      |     | Exhaust Valve (Std.) (Incl. 151)   |
| 125   | 27880A      |     | Exhaust Valve (1/32" OS) (Incl. 151)   |
| 126   | 34035       |     | Intake Valve (Std.) (Incl. 151)  |
| 126   | 34036       |     | Intake Valve (1/32" OS) (Incl. 151)  |
| 127   | 650691      |     | Washer (Do not use with No. 6021A screw.)  |
| 128   | 650690      |     | Washer, Belleville (Use as required)   |
| 129   | 650727      |     | Screw, 5/16-18 x 1-3/4 (Use as required)   |
| 130   | 6021A       |     | Screw, 5/16-18 x 1-1/2" (Use as required, but do not use No. 650691 washer.)         |
| 130   | 650711      |     | Screw, 5/16-18 x 1-5/8" (Use as required) (Can use 6021A but discard 650691 washer.) |
| 130   | 650694A     |     | Screw, 5/16-18 x 2" (Use as required)  |
| 131   | 650737      |     | Screw, 1/4-20 x 1/2" (Use as required)   |
| 131   | 650738      |     | Screw, 1/4-20 x 5/8 (Use as required)  |
| 131A  | 650713      |     | Screw, 5/16-18 x 5/8"  |
| 133   | 650890      |     | Washer, Internal Lock  |
| 135   | 35395       |     | Resistor Spark Plug  |
| 139   | 33369       |     | Bracket, Governor gear   |
| 140   | 650836      |     | Screw, 10-24 x 1/2"  |
| 149A  | 35862       |     | Seal Assy., Intake valve   |
| 150   | 27881       |     | Spring, Valve  |
| 151   | 32581       |     | Cap, Lower valve spring  |
| 169   | 27896A      |     | * Gasket, Breather   |
| 170   | 28423       |     | Body, Breather   |
| 171   | 28424       |     | Element, Breather  |
| 172   | 28425       |     | Cover, Breather  |
| 173   | 35350       |     | Tube, Breather   |
| 174   | 650128      |     | Screw, 10-24 x 1/2"  |
| 178   | 29752       |     | Nut & Lockwasher, 1/4-28   |
| 182   | 30088A      |     | Screw, 1/4-28 x 1"   |
| 183   | 34587       |     | Bracket, Choke   |
| 184   | 33263       |     | * Gasket, Carburetor   |
| 185   | 33877       |     | Pipe, Intake   |
| 186   | 34667       |     | Link, Governor lever   |
| 200   | 34677       |     | Control Bracket (Incl. 19, 203, 204, 206, 209)                                       |
| 203   | 31342       |     | Spring, Compression  |
| 204   | 650549      |     | Screw, 5-40 x 7/16"  |
| 206   | 610973      |     | Terminal Assy.   |
| 207   | 33878       |     | Link, Governor lever-to-throttle   |
| 209   | 650821      |     | Screw, 10-32 x 1/2"  |
| 215   | 35440       |     | Knob, Speed control  |

| Ref # | Part Number | Qty | Description  |
|-------|-------------|-----|--|
| 219   | 34586       |     | Rod, Choke   |
| 220   | 35438       |     | Knob, Control  |
| 222A  |             |     | Pop Rivet (Can be purchased locally)   |
| 222   | 28820       |     | Screw, 10-32 x 1/2"  |
| 223   | 650378      |     | Screw, Torx T-30, 5/16-18 x 1-1/8"   |
| 224   | 27915A      |     | * Gasket, Intake pipe  |
| 260   | 34822A      |     | Blower Housing   |
| 261   | 650788      |     | Screw, 5/16-18 x 3/4"  |
| 262   | 29747B      |     | Screw, 5/16-24 x 21/32"  |
| 265   | 33272B      |     | Cover, Cylinder head   |
| 275C  | 35056       |     | Muffler  |
| 275B  | 391026      |     | Muffler (Incl. 284, 284A & 416) (This spark arrester muffler can be used on any model.)  |
| 276   | 31588       |     | Plate, Muffler locking   |
| 276   | 35741       |     | Plate, Muffler locking   |
| 277   | 650729      |     | Screw, 5/16-18 x 3-3/16" (Use as required)   |
| 277   | 651002      |     | Screw, 5/16-18 x 4-1/4" (Use as required)  |
| 281   | 33013       |     | Cover, Starter bubble  |
| 282   | 650760      |     | Screw, 8-32 x 7/16"  |
| 285   | 35287       |     | Cup, Starter   |
| 286   | 35446       |     | Screen, Starter  |
| 287   | 29752       |     | Nut, 1/4-28  |
| 290   | 29774       |     | Fuel Line (Braided 8-1/4")(21cm)(As required)  |
| 290   | 30962       |     | Fuel Line (Braided 32")(80cm)(As required)   |
| 291   | 30705       |     | Fuel Line (Braided 16")(40cm)(As required)   |
| 292   | 26460       |     | Fuel Line Clamp (Use as required)  |
| 294   | 35791       |     | Fuel Pump Repair Kit NOTE: 34385 and 33715 (WIP) pumps are replaced by 35813 and 35800 (WIP) pumps. The 33010 (3000 series) repair kit is still available. The 35791 repair kit is used with the 35813 and 35800 fuel pumps. |
| 295   | 32961       |     | Valve, Fuel shut-off   |
| 298   | 650665      |     | Screw, 1/4-15 x 7/8"   |
| 300   | 34156A      |     | Fuel Tank (Incl. 292 & 301) NOTE: These tanks were built with different size fuel inlet openings. Tanks with the 1-3/16" I.D. opening use fuel cap 34210. Tanks with the 1-1/2" I.D. opening use fuel cap 35355.             |
| 301A  | 410144B     |     | Fuel Cap (White Plastic)(Standard) (Use as required) (1.5" I.D.)   |
| 301A  | 33032       |     | Fuel Cap (Red Plastic) (Spurt Resistant, Low Profile) (Use as required) (1.5" I.D.)  |
| 301A  | 34210       |     | Fuel Cap (Red Plastic) (Spurt Resistant, High Profile) (Use as required) (1.5" I.D.)   |
| 305   | 35554       |     | Oil Fill Tube  |
| 307   | 35499       |     | "O" Ring   |
| 308   | 35540       |     | Clip, Fill tube  |
| 310   | 36205       |     | Dipstick   |
| 325A  | 29443       |     | Clip, Fuel line  |
| 327   | 35392       |     | Plug, Starter  |
| 328   | 35593       |     | Ignition Key   |
| 329   | 610973      |     | Terminal Assy.   |
| 336   | 650765      |     | Screw, 10-32 x 1/2"  |
| 337   | 35057A      |     | Cover, Carburetor (Incl. 329)  |
| 338A  | 31291       |     | Plug, Cover  |
| 338   | 28942       |     | Screw, Sems 10-32 x 3/8"   |
| 340   | 34154       |     | Plate, Upper fuel tank mtg.  |

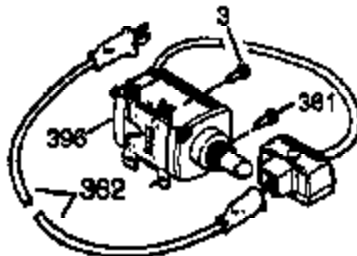
| Ref # | Part Number | Qty | Description  |
|-------|-------------|-----|--|
| 341   | 34155       |     | Bracket, Lower fuel tank mtg.  |
| 342   | 650561      |     | Screw, 1/4-20 x 5/8"   |
| 350   | 570682      |     | Primer Assy.   |
| 351   | 32180C      |     | Line, Primer   |
| 356   | 650168      |     | Washer   |
| 364   | 33377       |     | Bracket, Carburetor cover mtg.   |
| 365   | 650767      |     | Screw, 8-32 x 27/64"   |
| 370   | 34416       |     | Decal, Instruction   |
| 370   | 35274       |     | Decal, Instruction   |
| 370   | 35077       |     | Decal, Instruction   |
| 370D  | 34417       |     | Decal, Primer  |
| 379   | 631021      |     | Inlet Needle, Seat & Clip Assy.  |
| 380   | 632370      |     | Carburetor (Incl. 184 & 379) (Refer to Division 5, Section A, page 200 for breakdown or Fiche18B, Grid E-13) |
| 390   | 590630      |     | Rewind Starter (Refer to Division 5, Section C, page 30 for breakdown or Fiche 18B, Grid G-1)                |
| 400   | 33279G      |     | * Gasket Set (Incl. items marked *)  |
| 414   | 33323       |     | Opt.Muffler Screen (Mini-Bike applica tion)  |
| 418   | 33700       |     | Cover & Tube, Muffler (use as require d)   |
| 419   | 650578      |     | Screw, 8-18 x 3/8" (use as required)   |
| 420   | 730225      |     | SAE 30 4-Cycle Engine Oil (Quart)  |
| 421   | 730226      |     | SAE 5W30 4-Cycle Engine Oil (Quart)  |
| 422   | 35824       |     | Muffler Optional   |
| 1159  | 30312       |     | Screw, 10-32 x 1/2"  |
| 1160  | 28820       |     | Screw, 10-32 x 1/2"  |
| 1160  | 27070       |     | Lockwasher   |
| 1185  | 33816       |     | Hub & Screen Assy.   |



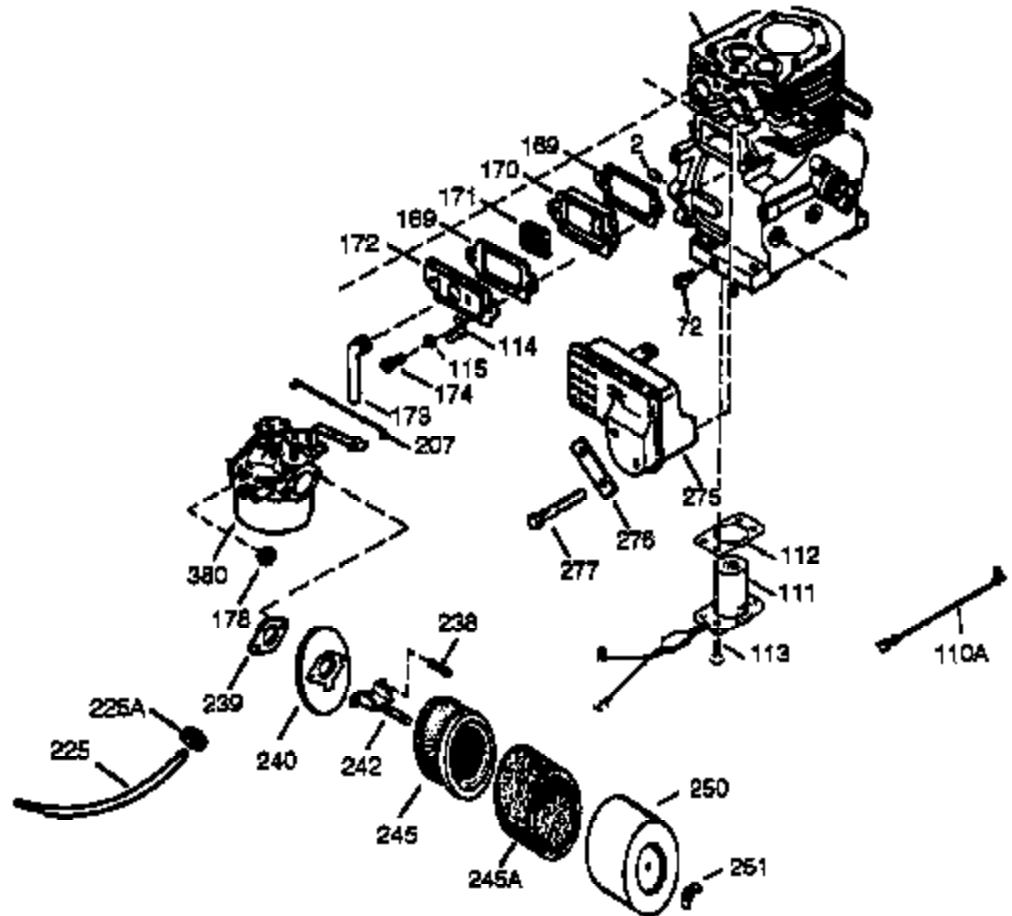
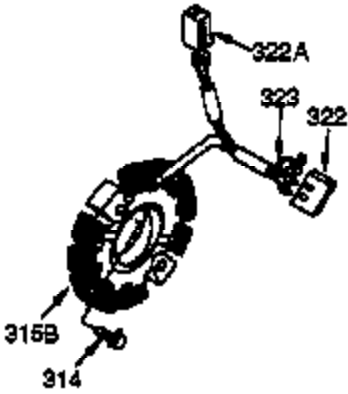
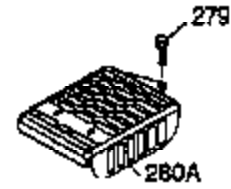
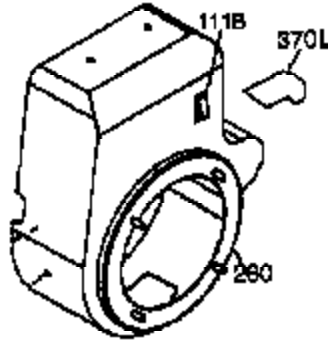
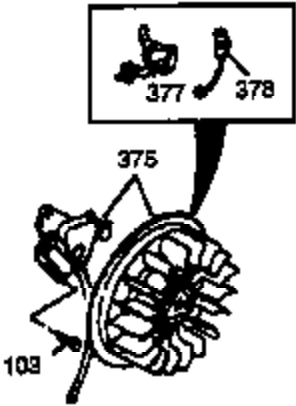
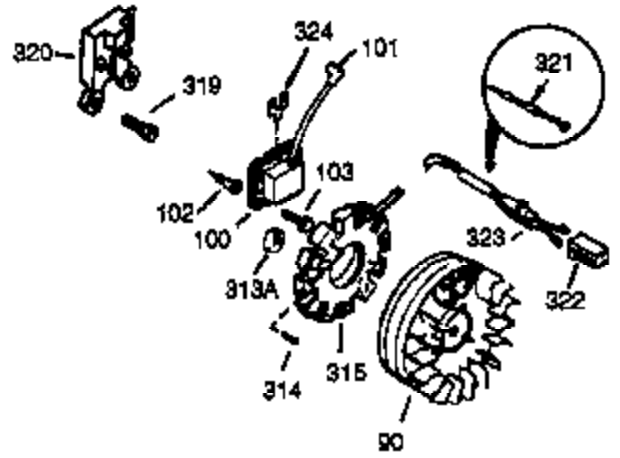
| Ref # | Part Number | Qty | Description  |
|-------|-------------|-----|--|
| 37A   | 30322       |     | Nut & Lockwasher, 8-32   |
| 64    | 650802      |     | Screw, 1/4-20 x 5/8"   |
| 108   | 29783       |     | Pin, Crankshaft gear (Only serviceable when gear is pinned to crank.)  |
| 129   | 650727      |     | Screw, 5/16-18 x 1-3/4 (Use as required)   |
| 131A  | 650713      |     | Screw, 5/16-18 x 5/8"  |
| 131   | 650737      |     | Screw, 1/4-20 x 1/2" (Use as required)   |
| 131   | 650738      |     | Screw, 1/4-20 x 5/8 (Use as required)  |
| 200B  | 730152      |     | Control Bracket (Incl.1158-1171)(As req.)  |
| 203   | 31342       |     | Spring, Compression  |
| 204   | 650549      |     | Screw, 5-40 x 7/16"  |
| 222A  |             |     | Pop Rivet (Can be purchased locally)   |
| 227   | 730127      |     | Air Cleaner Ass'y. (Incl. 238, 239, 242, 246, 250) (Use as required)   |
| 274   | 35865       |     | Gasket, Exhaust  |
| 275B  | 391026      |     | Muffler (Incl. 284, 284A & 416) (This spark arrester muffler can be used on any model.)  |
| 277   | 650729      |     | Screw, 5/16-18 x 3-3/16" (Use as required)   |
| 277   | 651002      |     | Screw, 5/16-18 x 4-1/4" (Use as required)  |
| 290   | 29774       |     | Fuel Line (Braided 8-1/4")(21cm)(As required)  |
| 290   | 30962       |     | Fuel Line (Braided 32")(80cm)(As required)   |
| 291   | 30705       |     | Fuel Line (Braided 16")(40cm)(As required)   |
| 293   | 33715       |     | Impulse Fuel Pump NOTE: 34385 and 33715 (WIP)pumps are replaced by 35813 and 35800 (WIP) pumps. The 33010 (3000 series) repair kit is still available. The 35791 repair kit is used with the 35813 and 35800 fuel pumps. |
| 298   | 650665      |     | Screw, 1/4-15 x 7/8"   |
| 301A  | 410144B     |     | Fuel Cap (White Plastic)(Standard) (Use as required) (1.5" I.D.)   |
| 301A  | 33032       |     | Fuel Cap (Red Plastic) (Spurt Resistant, Low Profile) (Use as required) (1.5" I.D.)  |
| 301A  | 34210       |     | Fuel Cap (Red Plastic) (Spurt Resistant, High Profile) (Use as required) (1.5" I.D.)   |
| 303   | 32958       |     | Fitting, Fuel  |
| 337   | 35057A      |     | Cover, Carburetor (Incl. 329)  |
| 338A  | 31291       |     | Plug, Cover  |
| 370D  | 34417       |     | Decal, Primer  |
| 370E  | 34414       |     | Decal, Warning   |
| 379   | 631021      |     | Inlet Needle, Seat & Clip Assy.  |
| 414   | 33323       |     | Opt.Muffler Screen (Mini-Bike application)   |
| 415   | 730130      |     | Kit, Exhaust adapter (Incl. 274 & 277)   |
| 418   | 33700       |     | Cover & Tube, Muffler (use as required)  |
| 419   | 650578      |     | Screw, 8-18 x 3/8" (use as required)   |
| 422   | 35824       |     | Muffler Optional   |
| 1159  | 30312       |     | Screw, 10-32 x 1/2"  |
| 1160  | 28820       |     | Screw, 10-32 x 1/2"  |
| 1160  | 27070       |     | Lockwasher   |
| 1185  | 33816       |     | Hub & Screen Assy.   |



OPTIONAL MUFFLER  
(QUIET)



OPTIONAL 110-120 VOLT  
STARTER MOTOR KIT





| Ref # | Part Number  | Qty | Description   |
|-------|--------------|-----|---|
|       | 2 27652      |     | Pin, Dowel  |
|       | 3 650820     |     | Screw, 1/4-20 x 1/2"  |
|       | 37A 30322    |     | Nut & Lockwasher, 8-32  |
|       | 64 650802    |     | Screw, 1/4-20 x 5/8"  |
|       | 72 27642     |     | Plug, Oil drain   |
|       | 90 611091    |     | Flywheel (w/ring gear)  |
|       | 100 35135    |     | Solid State Assy.   |
|       | 101 610118   |     | Cover, Spark plug   |
|       | 102 650872   |     | Stud, Solid state mounting  |
|       | 103 650814   |     | Screw, Torx T-15, 10-24 x 1"  |
|       | 108 29783    |     | Pin, Crankshaft gear (Only serviceable when gear is pinned to crank.)   |
|       | 129 650727   |     | Screw, 5/16-18 x 1-3/4 (Use as required)  |
|       | 131A 650713  |     | Screw, 5/16-18 x 5/8"   |
|       | 131 650737   |     | Screw, 1/4-20 x 1/2" (Use as required)  |
|       | 131 650738   |     | Screw, 1/4-20 x 5/8 (Use as required)   |
|       | 169 27896A   |     | * Gasket, Breather  |
|       | 170 28423    |     | Body, Breather  |
|       | 171 28424    |     | Element, Breather   |
|       | 172 28425    |     | Cover, Breather   |
|       | 173 35350    |     | Tube, Breather  |
|       | 174 650128   |     | Screw, 10-24 x 1/2"   |
|       | 178 29752    |     | Nut & Lockwasher, 1/4-28  |
|       | 207 33878    |     | Link, Governor lever-to-throttle  |
|       | 222A         |     | Pop Rivet (Can be purchased locally)  |
|       | 260 34822A   |     | Blower Housing  |
|       | 275B 391026  |     | Muffler (Incl. 284, 284A & 416) (This spark arrester muffler can be used on any model.)                       |
|       | 276 31588    |     | Plate, Muffler locking  |
|       | 276 35741    |     | Plate, Muffler locking  |
|       | 277 650729   |     | Screw, 5/16-18 x 3-3/16" (Use as required)  |
|       | 277 651002   |     | Screw, 5/16-18 x 4-1/4" (Use as required)   |
|       | 301A 410144B |     | Fuel Cap (White Plastic)(Standard) (Use as required) (1.5" I.D.)  |
|       | 301A 33032   |     | Fuel Cap (Red Plastic) (Spurt Resistant, Low Profile) (Use as required) (1.5" I.D.)                           |
|       | 301A 34210   |     | Fuel Cap (Red Plastic) (Spurt Resistant, High Profile) (Use as required) (1.5" I.D.)                          |
|       | 313A 33876   |     | Gasket, Stator (Used only on Std. point ign.)   |
|       | 330 35305    |     | Wire, Ground  |
|       | 337 35057A   |     | Cover, Carburetor (Incl. 329)   |
|       | 338A 31291   |     | Plug, Cover   |
|       | 370D 34417   |     | Decal, Primer   |
|       | 377 30547A   |     | Breaker Points (Use with Std. point ign.)   |
|       | 379 631021   |     | Inlet Needle, Seat & Clip Assy.   |
|       | 380 632370   |     | Carburetor (Incl. 184 & 379) (Refer to Division 5, Section A, page 200 for breakdown or Fiche 18B, Grid E-13) |
|       | 414 33323    |     | Opt. Muffler Screen (Mini-Bike application)   |
|       | 418 33700    |     | Cover & Tube, Muffler (use as required)   |
|       | 419 650578   |     | Screw, 8-18 x 3/8" (use as required)  |
|       | 422 35824    |     | Muffler Optional  |
|       | 1159 30312   |     | Screw, 10-32 x 1/2"   |
|       | 1160 28820   |     | Screw, 10-32 x 1/2"   |
|       | 1160 27070   |     | Lockwasher  |
|       | 1185 33816   |     | Hub & Screen Assy.  |