



## Engine Parts List #1

| Ref # | Part Number | Qty | Description  |
|-------|-------------|-----|--|
| 1     | 35371       |     | Cylinder (Cl liner)(3-5/16")(Incl.2,2 0 & 72)                                  |
| 2     | 27652       |     | Pin, Dowel   |
| 15B   | 650494      |     | Screw, 6-40 x 5/16"  |
| 15A   | 30700       |     | Yoke, Governor   |
| 15    | 30699C      |     | Rod Assy., Governor (Incl. 15A & 15B)  |
| 16    | 33454       |     | Governor Lever Assy.   |
| 17    | 29916       |     | Clamp, Governor lever  |
| 18    | 650548      |     | Screw, 8-32 x 5/16"  |
| 19    | 33857       |     | Spring Assy., Extension (Incl. 19B)  |
| 20    | 35319       |     | Seal, Oil  |
| 25    | 29536       |     | Blower Housing Baffle (Without electric starter knockout)<br>(Use as required) |
| 25    | 35256A      |     | Blower Housing Baffle (With electric starter knockout) (Use<br>as required)    |
| 25    | 35326       |     | Baffle, Blower housing   |
| 26    | 650561      |     | Screw, 1/4-20 x 5/8"   |
| 30    | 35495A      |     | Crankshaft   |
| 35    | 29826       |     | Screw, 10-32 x 3/4"  |
| 36    | 29918       |     | Lockwasher, #8 E.T.  |
| 37    | 29216       |     | Locknut, 10-32   |
| 37A   | 30322       |     | Nut & Lockwasher, 8-32   |
| 38    | 29642       |     | Ring, Retaining  |
| 40    | 34860A      |     | Piston, Pin & Ring Set (Std.)(3-5/16" )  |
| 40    | 34861A      |     | Piston, Pin & Ring Set (.010" OS)  |
| 40    | 34862A      |     | Piston, Pin & Ring Set (.020" OS)  |
| 41    | 34863       |     | Piston & Pin Ass'y. (Std.)(3-5/16")(I ncl.43)                                  |
| 41    | 34864       |     | Piston & Pin Ass'y. (.010" OS) (Incl. 43)                                      |
| 41    | 34865       |     | Piston & Pin Ass'y. (.020" OS) (Incl. 43)                                      |
| 42    | 34866A      |     | Ring Set (Std.) (3-5/16" Bore)   |
| 42    | 34867A      |     | Ring Set (.010" OS)  |
| 42    | 34868A      |     | Ring Set (.020" OS)  |
| 43    | 27888       |     | Ring, Piston Pin retaining   |
| 45    | 35373A      |     | Rod Assy., Connecting (Incl. 46, 47 & 49)                                      |
| 46    | 650908      |     | Bolt, Connecting rod   |
| 47    | 650882      |     | Connecting Rod Bolt (2 pcs. on early Specs.)                                   |
| 48    | 34034       |     | Lifter, Valve  |
| 49    | 35374       |     | Dipper, Oil  |
| 50    | 35375       |     | Camshaft (MCR)   |
| 60    | 33273A      |     | Extension, Blower housing  |
| 65    | 650128      |     | Screw, 10-24 x 1/2"  |
| 69    | 35262       |     | * Gasket, Flange   |
| 70    | 33626B      |     | Cyl.Cover (Incl.71,75,80,179,180,220, 221)                                     |
| 72    | 27642       |     | Plug, Oil drain  |
| 75    | 33625       |     | Seal, Oil  |
| 80    | 31845       |     | Shaft, Mechanical governor   |
| 81    | 30590A      |     | Washer, Flat   |
| 82    | 35378       |     | Gear Assy., Governor (Incl. 81)  |
| 83    | 30588A      |     | Spool, Governor  |
| 84    | 29193       |     | Ring, Retaining  |
| 86    | 650833      |     | Screw, 1/4-20 x 1-3/16 (Use as requir ed)                                      |
| 87    | 650832      |     | Screw, 1/4-20 x 1-11/16" (Use as requ ired)                                    |
| 89    | 32589       |     | Key, Flywheel  |
| 90    | 611092      |     | Flywheel (3 Amp)   |
| 92    | 650880      |     | Washer, Lock   |
| 93    | 650881      |     | Nut, 5/8-18  |
| 100   | 35135       |     | Solid State Assy.  |
| 101   | 610118      |     | Cover, Spark plug  |

| Ref # | Part Number | Qty | Description   |
|-------|-------------|-----|---|
| 102   | 650872      |     | Stud, Solid state mounting  |
| 103   | 650814      |     | Screw, Torx T-15, 10-24 x 1"  |
| 108   | 29783       |     | Pin, Crankshaft gear (Only serviceable when gear is pinned to crank.)                 |
| 109   | 33245       |     | Gear, Crankshaft  |
| 119   | 34923A      |     | * Gasket, Cylinder head   |
| 120   | 34030A      |     | Head, Cylinder  |
| 125   | 27878A      |     | Exhaust Valve (Std.) (Incl. 151)  |
| 125   | 27880A      |     | Exhaust Valve (1/32" OS) (Incl. 151)  |
| 126   | 34035       |     | Intake Valve (Std.) (Incl. 151)   |
| 126   | 34036       |     | Intake Valve (1/32" OS) (Incl. 151)   |
| 127   | 650691      |     | Washer (Do not use with No. 6021A scr ew.)  |
| 128   | 650690      |     | Washer, Belleville (Use as required)  |
| 129   | 650727      |     | Screw, 5/16-18 x 1-3/4 (Use as requir ed)   |
| 130   | 6021A       |     | Screw, 5/16-18 x 1-1/2" (Use as required, but do not use No. 650691 washer.)          |
| 130   | 650711      |     | Screw, 5/16-18 x 1-5/8 " (Use as required) (Can use 6021A but discard 650691 washer.) |
| 130   | 650694A     |     | Screw, 5/16-18 x 2" (Use as required)   |
| 131   | 650737      |     | Screw, 1/4-20 x 1/2" (Use as required )   |
| 131   | 650738      |     | Screw, 1/4-20 x 5/8 (Use as required)   |
| 131A  | 650713      |     | Screw, 5/16-18 x 5/8"   |
| 133   | 650890      |     | Washer, Internal Lock   |
| 134   | 30747       |     | Clip, Spark plug shorting   |
| 135   | 33636       |     | Resistor Spark Plug   |
| 139   | 33369       |     | Bracket, Governor gear  |
| 140   | 650836      |     | Screw, 10-24 x 1/2"   |
| 149A  | 35862       |     | Seal Assy., Intake valve  |
| 150   | 27881       |     | Spring, Valve   |
| 151   | 32581       |     | Cap, Lower valve spring   |
| 169   | 27896A      |     | * Gasket, Breather  |
| 170   | 28423       |     | Body, Breather  |
| 171   | 28424       |     | Element, Breather   |
| 172   | 28425       |     | Cover, Breather   |
| 173   | 35350       |     | Tube, Breather  |
| 174   | 650128      |     | Screw, 10-24 x 1/2"   |
| 182   | 650517      |     | Screw, 1/4-20 x 27/32"  |
| 184   | 33263       |     | * Gasket, Carburetor  |
| 186   | 34661       |     | Link, Governor lever  |
| 187A  | 30196       |     | Screw, 5/16-18 x 3/4"   |
| 187   | 34349A      |     | Flange, Carburetor mounting   |
| 200   | 34784       |     | Control Bracket (Incl.19, 203, 204, 2 06, 209)  |
| 203   | 31342       |     | Spring, Compression   |
| 204   | 650549      |     | Screw, 5-40 x 7/16"   |
| 207   | 34785       |     | Link, Governor lever-to-throttle  |
| 209   | 650821      |     | Screw, 10-32 x 1/2"   |
| 210   | 27793       |     | Clip, Conduit   |
| 211   | 28942       |     | Screw, 10-32 x 3/8"   |
| 222A  |             |     | Pop Rivet (Can be purchased locally)  |
| 224   | 27915A      |     | * Gasket, Intake pipe   |
| 250B  | 33269A      |     | Cover, Air cleaner  |
| 260   | 33375D      |     | Blower Housing (For electric starter)   |
| 261   | 650788      |     | Screw, 5/16-18 x 3/4"   |
| 262   | 29747B      |     | Screw, 5/16-24 x 21/32"   |
| 265   | 33272B      |     | Cover, Cylinder head  |
| 276   | 35741       |     | Plate, Muffler locking  |

| Ref # | Part Number | Qty | Description  |
|-------|-------------|-----|--|
| 277   | 650729      |     | Screw, 5/16-18 x 3-3/16" (Use as required)   |
| 277   | 651002      |     | Screw, 5/16-18 x 4-1/4" (Use as required)  |
| 281   | 33013       |     | Cover, Starter bubble  |
| 282   | 650760      |     | Screw, 8-32 x 7/16"  |
| 285   | 35287       |     | Cup, Starter   |
| 286   | 35194       |     | Screen, Starter  |
| 287   | 29752       |     | Nut, 1/4-28  |
| 290   | 29774       |     | Fuel Line (Braided 8-1/4")(21cm)(As required)  |
| 290   | 30962       |     | Fuel Line (Braided 32")(80cm)(As required)   |
| 291   | 30705       |     | Fuel Line (Braided 16")(40cm)(As required)   |
| 292   | 26460       |     | Fuel Line Clamp (Use as required)  |
| 298   | 650665      |     | Screw, 1/4-15 x 7/8"   |
| 300   | 34156A      |     | Fuel Tank (Incl. 292 & 301) NOTE: These tanks were built with different size fuel inlet openings. Tanks with the 1-3/16" I.D. opening use fuel cap 34210. Tanks with the 1-1/2" I.D. opening use fuel cap 35355. |
| 301A  | 410144B     |     | Fuel Cap (White Plastic)(Standard) (Use as required) (1.5" I.D.)   |
| 301A  | 33032       |     | Fuel Cap (Red Plastic) (Spurt Resistant, Low Profile) (Use as required) (1.5" I.D.)  |
| 301A  | 34210       |     | Fuel Cap (Red Plastic) (Spurt Resistant, High Profile) (Use as required) (1.5" I.D.)   |
| 301A  | 35355       |     | Fuel Cap (Red Plastic)(1.75" I.D.)   |
| 306   | 29673       |     | * Gasket, Oil filler   |
| 310   | 31297       |     | Dipstick (Incl. 307)   |
| 316   | 611095      |     | Alternator Coil (3 Amp, A.C.)(Incl. 322 & 323)   |
| 325   | 27275       |     | Clip, Hi-tension wire retaining  |
| 325   | 34246       |     | Clip, Ground wire  |
| 338A  | 31291       |     | Plug, Cover  |
| 340   | 34154       |     | Plate, Upper fuel tank mtg.  |
| 341   | 34155       |     | Bracket, Lower fuel tank mtg.  |
| 342   | 650561      |     | Screw, 1/4-20 x 5/8"   |
| 370   | 34346       |     | Decal, Instruction   |
| 370   | 35274       |     | Decal, Instruction   |
| 370A  | 34686       |     | Decal, Name  |
| 379   | 631021      |     | Inlet Needle, Seat & Clip Assy.  |
| 380   | 632406      |     | Carburetor (Incl. 184 & 379) (Refer to Div. 5, Sec. A, page A3-8 for breakdown or Fiche 18B, Grid D-1)   |
| 400   | 33279G      |     | * Gasket Set (Incl. items marked *)  |
| 420   | 730225      |     | SAE 30 4-Cycle Engine Oil (Quart)  |
| 421   | 730226      |     | SAE 5W30 4-Cycle Engine Oil (Quart)  |
| 422   | 35824       |     | Muffler Optional   |



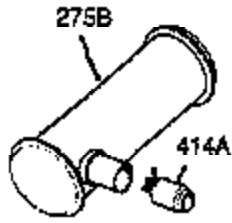
| Ref # | Part Number | Qty | Description  |
|-------|-------------|-----|--|
| 37A   | 30322       |     | Nut & Lockwasher, 8-32   |
| 129   | 650727      |     | Screw, 5/16-18 x 1-3/4 (Use as required)   |
| 131A  | 650713      |     | Screw, 5/16-18 x 5/8"  |
| 131   | 650737      |     | Screw, 1/4-20 x 1/2" (Use as required)   |
| 131   | 650738      |     | Screw, 1/4-20 x 5/8 (Use as required)  |
| 187A  | 30196       |     | Screw, 5/16-18 x 3/4"  |
| 187   | 34349A      |     | Flange, Carburetor mounting  |
| 222A  |             |     | Pop Rivet (Can be purchased locally)   |
| 250B  | 33269A      |     | Cover, Air cleaner   |
| 274   | 35865       |     | Gasket, Exhaust  |
| 275A  | 33714       |     | Muffler (Incl. 284, 284A & 414)  |
| 277   | 650729      |     | Screw, 5/16-18 x 3-3/16" (Use as required)   |
| 277   | 651002      |     | Screw, 5/16-18 x 4-1/4" (Use as required)  |
| 284   | 34390       |     | Deflector  |
| 290   | 29774       |     | Fuel Line (Braided 8-1/4")(21cm)(As required)  |
| 290   | 30962       |     | Fuel Line (Braided 32")(80cm)(As required)   |
| 292   | 26460       |     | Fuel Line Clamp (Use as required)  |
| 298   | 650665      |     | Screw, 1/4-15 x 7/8"   |
| 300   | 34156A      |     | Fuel Tank (Incl. 292 & 301) NOTE: These tanks were built with different size fuel inlet openings. Tanks with the 1-3/16" I.D. opening use fuel cap 34210. Tanks with the 1-1/2" I.D. opening use fuel cap 35355. |
| 301A  | 410144B     |     | Fuel Cap (White Plastic)(Standard) (Use as required) (1.5" I.D.)   |
| 301A  | 33032       |     | Fuel Cap (Red Plastic) (Spurt Resistant, Low Profile) (Use as required) (1.5" I.D.)  |
| 301A  | 34210       |     | Fuel Cap (Red Plastic) (Spurt Resistant, High Profile) (Use as required) (1.5" I.D.)   |
| 301A  | 35355       |     | Fuel Cap (Red Plastic)(1.75" I.D.)   |
| 306   | 29673       |     | * Gasket, Oil filler   |
| 316   | 611095      |     | Alternator Coil (3 Amp, A.C.)(Incl. 322 & 323)   |
| 338A  | 31291       |     | Plug, Cover  |
| 341   | 34155       |     | Bracket, Lower fuel tank mtg.  |
| 342   | 650561      |     | Screw, 1/4-20 x 5/8"   |
| 414   | 33323       |     | Opt. Muffler Screen (Mini-Bike application)  |
| 415   | 730130      |     | Kit, Exhaust adapter (Incl. 274 & 277)   |
| 418   | 33700       |     | Cover & Tube, Muffler (use as required)  |
| 419   | 650578      |     | Screw, 8-18 x 3/8" (use as required)   |
| 421   | 730226      |     | SAE 5W30 4-Cycle Engine Oil (Quart)  |
| 422   | 35824       |     | Muffler Optional   |



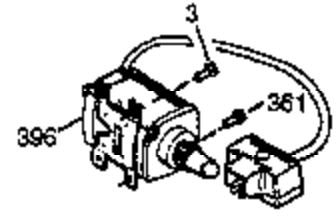
| Ref # | Part Number | Qty | Description   |
|-------|-------------|-----|---|
| 19B   | 28942       |     | Screw, 10-32 x 3/8"   |
| 19    | 33857       |     | Spring Assy., Extension (Incl. 19B)   |
| 37A   | 30322       |     | Nut & Lockwasher, 8-32  |
| 129   | 650727      |     | Screw, 5/16-18 x 1-3/4 (Use as required)  |
| 131A  | 650713      |     | Screw, 5/16-18 x 5/8"   |
| 131   | 650737      |     | Screw, 1/4-20 x 1/2" (Use as required)  |
| 131   | 650738      |     | Screw, 1/4-20 x 5/8 (Use as required)   |
| 187A  | 30196       |     | Screw, 5/16-18 x 3/4"   |
| 187   | 34349A      |     | Flange, Carburetor mounting   |
| 200B  | 730152      |     | Control Bracket (Incl.1158-1171)(As required)   |
| 203   | 31342       |     | Spring, Compression   |
| 204   | 650549      |     | Screw, 5-40 x 7/16"   |
| 210   | 27793       |     | Clip, Conduit   |
| 211   | 28942       |     | Screw, 10-32 x 3/8"   |
| 222A  |             |     | Pop Rivet (Can be purchased locally)  |
| 225A  | 631334      |     | Gasket, Carburetor  |
| 225   | 35043       |     | Tube Assy., Carburetor  |
| 227   | 730127      |     | Air Cleaner Ass'y. (Incl. 238, 239, 242, 246, 250) (Use as required)  |
| 238   | 28820       |     | Screw, 10-32 x 1/2"   |
| 239   | 27272A      |     | * Gasket, Air cleaner   |
| 241   | 33266       |     | Bracket, Air cleaner  |
| 242   | 33267       |     | Bracket, Air cleaner  |
| 245   | 33268       |     | Element, Air cleaner  |
| 250B  | 33269A      |     | Cover, Air cleaner  |
| 251   | 650513      |     | Nut, Wing 1/4-20  |
| 290   | 29774       |     | Fuel Line (Braided 8-1/4")(21cm)(As required)   |
| 290   | 30962       |     | Fuel Line (Braided 32")(80cm)(As required)  |
| 291   | 30705       |     | Fuel Line (Braided 16")(40cm)(As required)  |
| 293   | 34385       |     | Impulse Fuel Pump NOTE: 34385 and 33715 (WIP)pumps are replaced by 35813 and 35800 (WIP) pumps. The 33010 (3000 series) repair kit is still available. The 35791 repair kit is used with the 35813 and 35800 fuel pumps.    |
| 293   | 33715       |     | Impulse Fuel Pump NOTE: 34385 and 33715 (WIP)pumps are replaced by 35813 and 35800 (WIP) pumps. The 33010 (3000 series) repair kit is still available. The 35791 repair kit is used with the 35813 and 35800 fuel pumps.    |
| 294   | 33010       |     | Fuel Pump Repair Kit NOTE: 34385 and 33715 (WIP)pumps are replaced by 35813 and 35800 (WIP) pumps. The 33010 (3000 series) repair kit is still available. The 35791 repair kit is used with the 35813 and 35800 fuel pumps. |
| 294   | 35791       |     | Fuel Pump Repair Kit NOTE: 34385 and 33715 (WIP)pumps are replaced by 35813 and 35800 (WIP) pumps. The 33010 (3000 series) repair kit is still available. The 35791 repair kit is used with the 35813 and 35800 fuel pumps. |
| 301A  | 410144B     |     | Fuel Cap (White Plastic)(Standard) (Use as required) (1.5" I.D.)  |
| 301A  | 33032       |     | Fuel Cap (Red Plastic) (Spurt Resistant, Low Profile) (Use as required) (1.5" I.D.)   |
| 301A  | 34210       |     | Fuel Cap (Red Plastic) (Spurt Resistant, High Profile) (Use as required) (1.5" I.D.)  |
| 301A  | 35355       |     | Fuel Cap (Red Plastic)(1.75" I.D.)  |
| 303   | 32958       |     | Fitting, Fuel   |
| 303   | 33713       |     | Fitting, Fuel line elbow  |



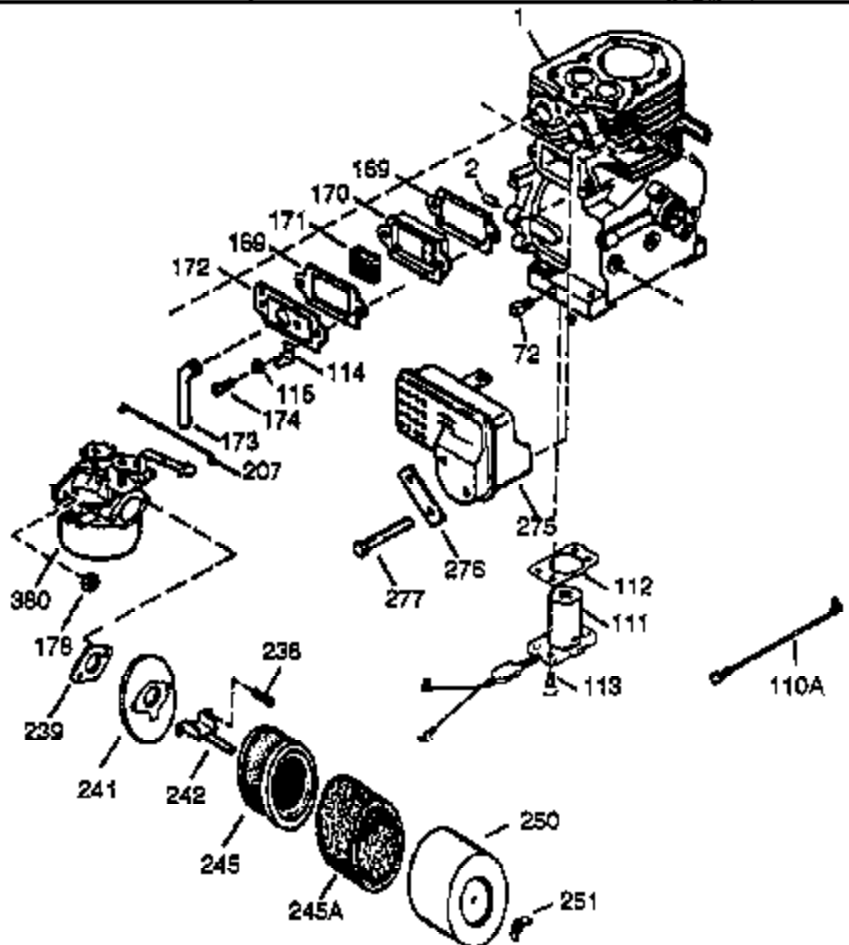
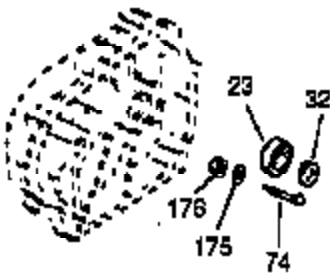
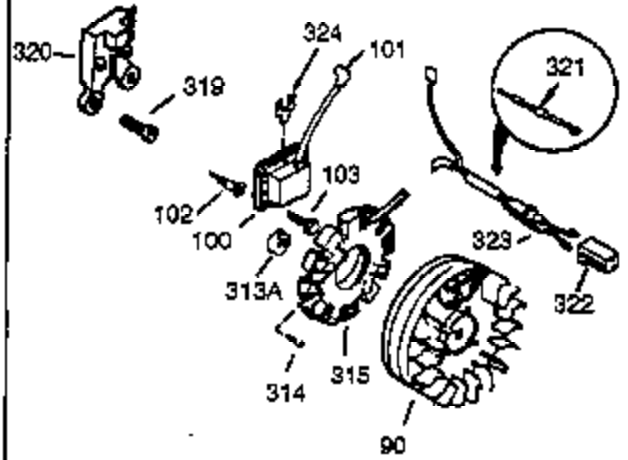
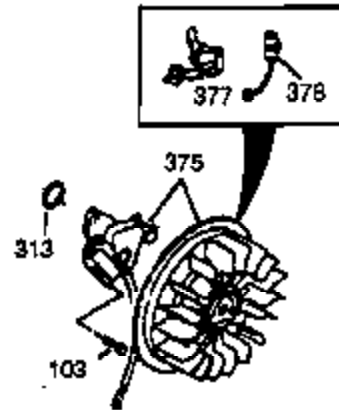
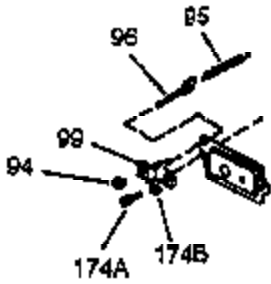
| Ref # | Part Number | Qty | Description                                    |
|-------|-------------|-----|--|
| 303A  | 34237       |     | Fitting, Fuel                                  |
| 306   | 29673       |     | * Gasket, Oil filler                           |
| 316   | 611095      |     | Alternator Coil (3 Amp, A.C.)(Incl.32 2 & 323) |
| 338A  | 31291       |     | Plug, Cover                                    |
| 370   | 34346       |     | Decal, Instruction                             |
| 370   | 35274       |     | Decal, Instruction                             |
| 421   | 730226      |     | SAE 5W30 4-Cycle Engine Oil (Quart)            |
| 422   | 35824       |     | Muffler Optional                               |
| 1159  | 30312       |     | Screw, 10-32 x 1/2"                            |
| 1160  | 28820       |     | Screw, 10-32 x 1/2"                            |
| 1160  | 27070       |     | Lockwasher                                     |
| 1185  | 33816       |     | Hub & Screen Assy.                             |



OPTIONAL MUFFLER  
(QUIET)



OPTIONAL 110-120 VOLT  
STARTER MOTOR KIT



| Ref # | Part Number  | Qty | Description   |
|-------|--------------|-----|---|
|       | 1 35371      |     | Cylinder (Cl liner)(3-5/16")(Incl.2,2 0 & 72)   |
|       | 2 27652      |     | Pin, Dowel  |
|       | 23 33627     |     | Bearing, Ball   |
|       | 32 33628     |     | Washer, Thrust  |
|       | 37A 30322    |     | Nut & Lockwasher, 8-32  |
|       | 72 27642     |     | Plug, Oil drain   |
|       | 74 31855     |     | Retainer, Bearing   |
|       | 90 611092    |     | Flywheel (3 Amp)  |
|       | 100 35135    |     | Solid State Assy.   |
|       | 101 610118   |     | Cover, Spark plug   |
|       | 102 650872   |     | Stud, Solid state mounting  |
|       | 103 650814   |     | Screw, Torx T-15, 10-24 x 1"  |
|       | 129 650727   |     | Screw, 5/16-18 x 1-3/4 (Use as required)  |
|       | 131 650737   |     | Screw, 1/4-20 x 1/2" (Use as required)  |
|       | 131 650738   |     | Screw, 1/4-20 x 5/8 (Use as required)   |
|       | 131A 650713  |     | Screw, 5/16-18 x 5/8"   |
|       | 169 27896A   |     | * Gasket, Breather  |
|       | 170 28423    |     | Body, Breather  |
|       | 171 28424    |     | Element, Breather   |
|       | 172 28425    |     | Cover, Breather   |
|       | 173 35350    |     | Tube, Breather  |
|       | 174 650128   |     | Screw, 10-24 x 1/2"   |
|       | 175 650778   |     | Lockwasher  |
|       | 176 650580   |     | Nut, Lock   |
|       | 187A 30196   |     | Screw, 5/16-18 x 3/4"   |
|       | 187 34349A   |     | Flange, Carburetor mounting   |
|       | 207 34785    |     | Link, Governor lever-to-throttle  |
|       | 222A         |     | Pop Rivet (Can be purchased locally)  |
|       | 238 28820    |     | Screw, 10-32 x 1/2"   |
|       | 239 27272A   |     | * Gasket, Air cleaner   |
|       | 241 33266    |     | Bracket, Air cleaner  |
|       | 242 33267    |     | Bracket, Air cleaner  |
|       | 245 33268    |     | Element, Air cleaner  |
|       | 250B 33269A  |     | Cover, Air cleaner  |
|       | 251 650513   |     | Nut, Wing 1/4-20  |
|       | 275B 391026  |     | Muffler (Incl. 284, 284A & 416) (This spark arrester muffler can be used on any model.) |
|       | 276 35741    |     | Plate, Muffler locking  |
|       | 277 650729   |     | Screw, 5/16-18 x 3-3/16" (Use as required)  |
|       | 277 651002   |     | Screw, 5/16-18 x 4-1/4" (Use as required)   |
|       | 301A 410144B |     | Fuel Cap (White Plastic)(Standard) (Use as required) (1.5" I.D.)                        |
|       | 301A 33032   |     | Fuel Cap (Red Plastic) (Spurt Resistant, Low Profile) (Use as required) (1.5" I.D.)     |
|       | 301A 34210   |     | Fuel Cap (Red Plastic) (Spurt Resistant, High Profile) (Use as required) (1.5" I.D.)    |
|       | 301A 35355   |     | Fuel Cap (Red Plastic)(1.75" I.D.)  |
|       | 306 29673    |     | * Gasket, Oil filler  |
|       | 313A 33876   |     | Gasket, Stator (Used only on Std. point ign.)   |
|       | 314 650873   |     | Screw, 1/4-20 x 3/4"  |
|       | 316 611095   |     | Alternator Coil (3 Amp, A.C.)(Incl.32 2 & 323)  |
|       | 322 610823   |     | Connector, Pyramid  |
|       | 323 610822   |     | Terminal, Male  |
|       | 338A 31291   |     | Plug, Cover   |
|       | 377 30547A   |     | Breaker Points (Use with Std. point ign.)   |

| Ref # | Part Number | Qty | Description  |
|-------|-------------|-----|--|
| 380   | 632406      |     | Carburetor (Incl. 184 & 379) (Refer to Div. 5, Sec. A, page A3-8 for breakdown or Fiche 18B, Grid D-1) |
| 421   | 730226      |     | SAE 5W30 4-Cycle Engine Oil (Quart)  |
| 422   | 35824       |     | Muffler Optional   |