

Engine Parts List #1

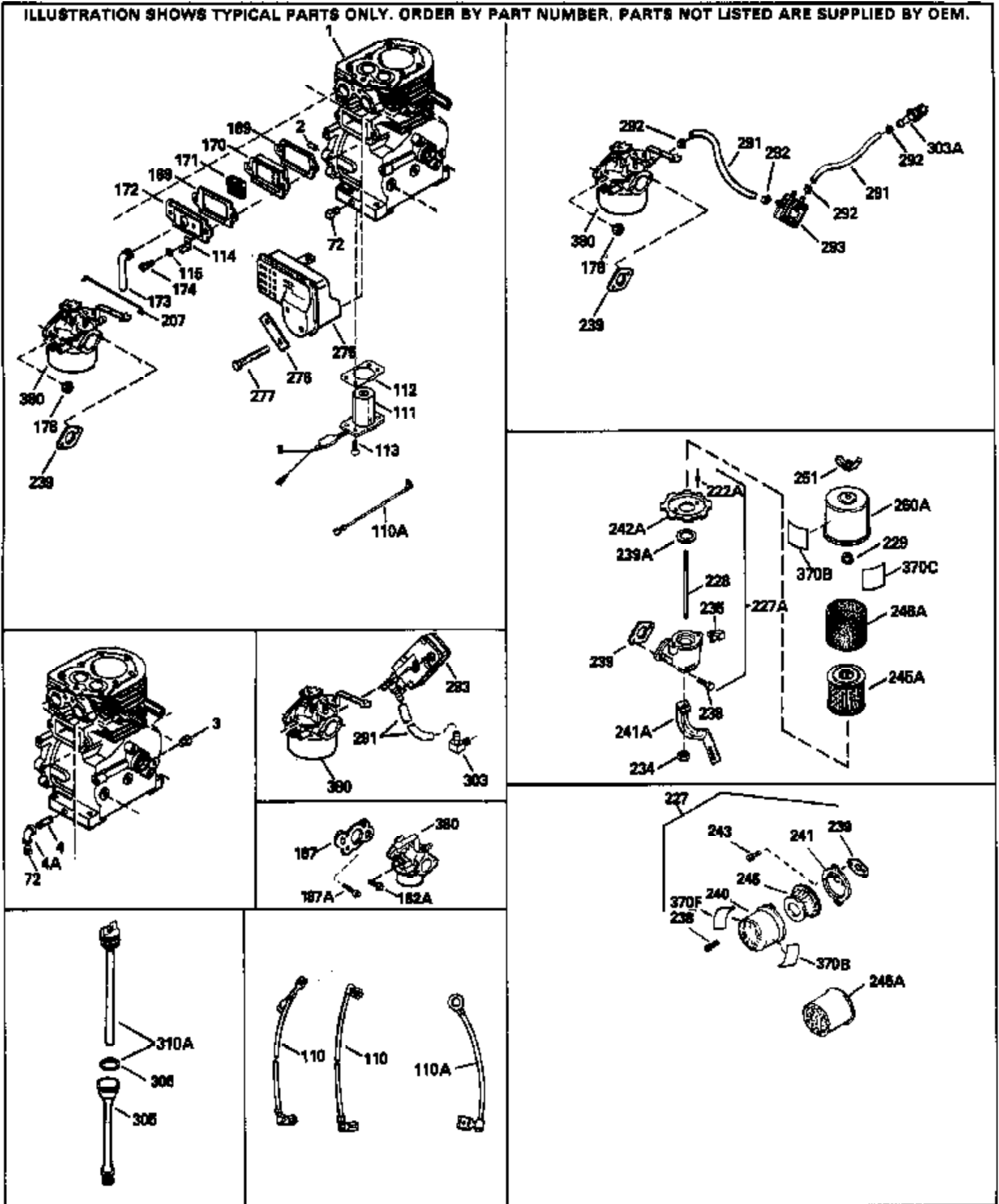
Ref #	Part Number	Qty	Description
1	34809A		Cylinder (Incl. 2,20,72)(3-1/8")(Cl Inner)
2	27652		Pin, Dowel
15A	30700		Yoke, Governor
15	30699C		Rod Assy., Governor (Incl. 15A & 15B)
15B	650494		Screw, 6-40 x 5/16"
16	33454		Governor Lever Assy.
17	29916		Clamp, Governor lever
18	650548		Screw, 8-32 x 5/16"
20	32630		Seal, Oil
25	36460		Baffle, Blower housing
26	650561		Screw, 1/4-20 x 5/8"
30	35216		Crankshaft (Incl. 108 & 109)
35	29826		Screw, 10-32 x 3/4"
36	29918		Lockwasher, # 8 E.T.
37A	30322		Locknut, 8-32
37	29216		Nut & Lockwasher, 10-32
38	29642		Ring, Retaining
40	34552		Piston, Pin & Ring Set (Std.) (3-1/8" Bore)
40	34553		Piston, Pin & Ring Set (.010" OS)
40	34554		Piston, Pin & Ring Set (.020" OS)
41	34329A		Piston & Pin Ass'y. (3-1/8")(Std.)(Incl. 43)
41	34330A		Piston & Pin Ass'y. (.010" OS) (Incl. 43)
41	34331A		Piston & Pin Ass'y. (.020" OS) (Incl. 43)
42	34332		Ring Set (Std.) (3-1/8" Bore)
42	34333		Ring Set (.010" OS)
42	34334		Ring Set (.020" OS)
43	27888		Ring, Piston pin retaining
45	32591C		Rod Assy., Connecting (Incl. 49)
47	650662C		Bolt, Connecting rod (2 pieces)
48	34034		Lifter, Valve
49	34242		Dipper, Oil
50	34143		Camshaft (MCR)
60	33273A		Extension, Blower housing
62	650760		Screw, 8-32 x 3/8"
63	28545		Grommet, Plastic
65	650128		Screw, 10-24 x 1/2"
68	33356		Terminal, Ground
69	35262		* Gasket, Cylinder cover
70	33626B		Cyl.Cover(Incl.71,74,75,80,175,176,31 1,312)
72	31927		Plug, Oil drain
75	33625		Seal, Oil
80	31845		Shaft, Mechanical governor
81	30590A		Washer, Flat
82	30591		Gear Assy., Governor (Incl. 81)
83	30588A		Spool, Governor
84	29193		Ring, Retaining
86	650488		Screw, 1/4-20 x 1-1/4"
87	650493		Screw, 1/4-20 x 1-3/4"
89	32589		Key, Flywheel
90	611094		Flywheel (7 amp, w/ring gear)
92	650815		Washer, Belleville
93	8116		Hex Nut, 1/2-20
100	35135		Lamination Assy., Solid State
102	650872		Stud, Lamination mounting
103	650814		Screw, Torx T-15, 10-24 x 1"
110	35187		Ground Wire
110	35183		Ground Wire
119	34041A		* Gasket, Head

Engine Parts List #1

Ref #	Part Number	Qty	Description
	120 34030A		Head, Cylinder
	125 27878A		Exhaust Valve (Std.) (Incl. 151)
	125 27880A		Exhaust Valve (1/32" OS) (Incl. 151)
	126 34035		Intake Valve (Std.) (Incl. 151)
	126 34036		Intake Valve (1/32" OS) (Incl. 151)
	127 650691		Washer (Use as req., but not w/6021A screw)
	128 650690		Washer, Belleville
	129 650727		Screw, 5/16-18 x 1-3/4" (Use as requi red)
	130A 6021A		Screw, 5/16-18 x 1-1/2" (Use as req.,but not w/650691 washer)
	130 650694A		Screw, 5/16-18 x 2" (Use as required)
	131A 650713		Screw, 5/16-18 x 5/8" (Use as require d)
	135 33636		Resistor Spark Plug (RJ-17LM)
	139 33369		Bracket, Governor gear
	140 650836		Screw, 10-24 x 1/2"
	149A 27882		Cap, Upper valve spring
	149 27882		Cap, Upper valve spring
	150 27881		Spring, Valve
	151 32581		Cap, Lower valve spring
	169 27896A		* Gasket, Breather cover
	170 28423		Body, Breather
	171 28424		Element, Breather
	172 28425		Cover, Valve spring
	173A 32446		Grommet, Breather tube
	173 34696		Tube, Breather
	174 650128		Screw, 10-24 x 1/2"
	178 29752		Nut & Lockwasher, 1/4-28
	179 30593		Clip, Primer line
	182 30088A		Screw, 1/4-28 x 1"
	184 33263		* Gasket, Carburetor
	185 34707		Pipe, Intake
	186A 34667		Link, Governor
	200 34677		Control Bracket (Incl. 203, 204, 206 & 209)
	203 31342		Spring, Compression
	204 650549		Screw, 5-40 x 7/16"
	206 610973		Terminal Assy. (Use as required)
	207 33878		Link, Governor-to-throttle
	209 650821		Screw, 10-32 x 1/2"
	215 32410		Knob, Control
	223 650378		Screw, Torx T-30, 5/16-18 x 1-1/8"
	224 27915A		* Gasket, Intake pipe
	225 35043		Tube, Carburetor
	260 34833B		Blower Housing (For electric starter)
	261 650788		Screw, 5/16-18 x 3/4"
	262 29747B		Screw, 5/16-24 x 21/32"
	265 33272B		Cover, Cylinder head
	275 33280A		Muffler
	276 35740		Plate, Muffler locking
	277 650729		Screw, 5/16-18 x 3-3/16"
	285 32125		Cup, Starter
	286B 33286		Hub & Screen Assy.
	290 30705		Fuel Line (Braided 16") (41 cm)
	292 26460		Clamp, Fuel line
	298 650665		Screw, 1/4-15 x 7/8"

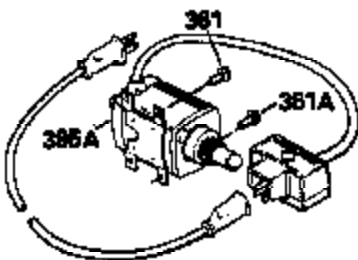
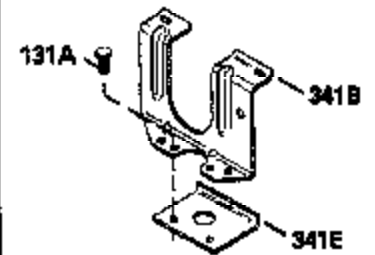
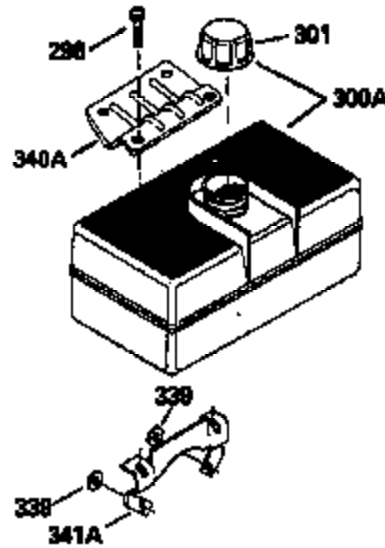
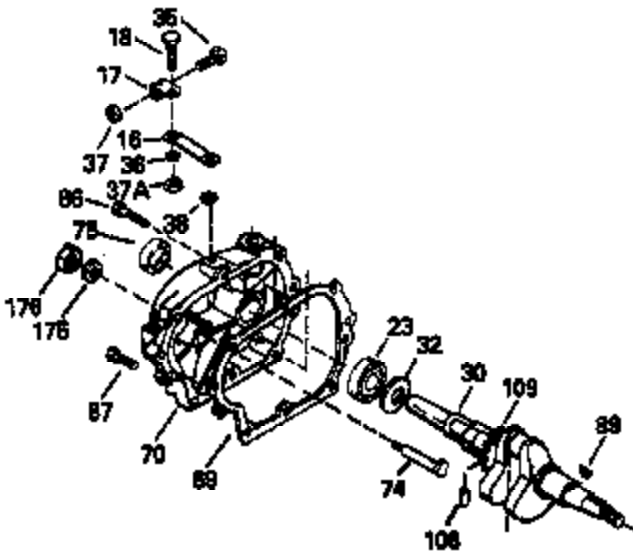
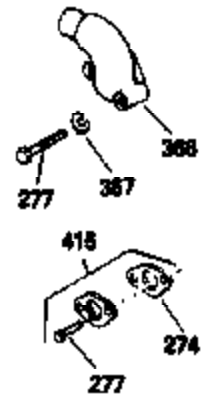
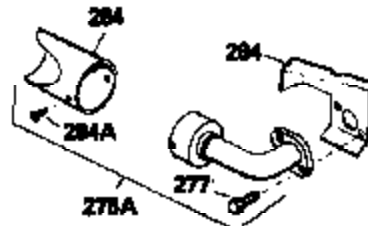
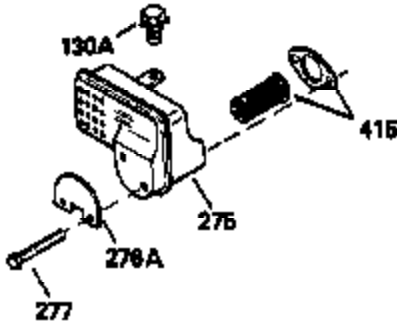
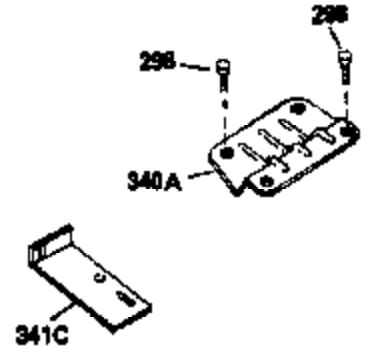
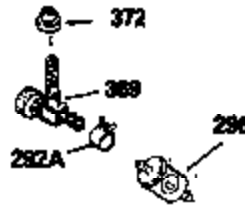
Ref #	Part Number	Qty	Description
300	34156A		Fuel Tank (Incl. 292 & 301) NOTE: These tanks were built with different size fuel inlet openings. Tanks with the 1-3/16" I.D. opening use fuel cap 34210. Tanks with the 1-1/2" I.D. opening use fuel cap 35355.
301	35355		Fuel Cap
305	35554		Tube, Oil fill
306	35499		"O" Ring
308	35540		Clip, Fill tube
310	35555		Dipstick
324	33177		Terminal
325	34246		Clip, Ground wire (Use as required)
325B	29443		Clip, Fuel line (Use as required)
329	610973		Terminal Assy.
330	34069		Wire Harness (6-3/4") (7 Amp)
340	34154		Plate, Fuel tank mounting
342	650561		Screw, 1/4-20 x 5/8"
361	650820		Screw, 1/4-20 x 1/2"
361A	30063		Screw, Torx T-30, 1/4-20 x 1/2"
370	34346		Decal, Instruction
370	35274		Decal, Instruction
370J	34870		Decal, Instruction Can be used on HM80 with diecast starter.
370F	35344		Decal, Throttle
370B	34387		Decal, Instruction Can be used on HM80 with stamped steel recoil starter.
370B	34704		Decal, Air cleaner
370A	35532		Decal, Name
379	631021		Inlet Needle, Seat & Clip Assy.
380	632325		Carburetor (Incl. 184) (Refer to Division 5, Section A, page A3-14 for breakdown or Fiche 18A-2, Grid F-7)
392	590343		Rope & Handle, Starter
395	35763A		Electric Starter Motor (12 Volt) (Refer to service number stamped on end cap of motor, or on decal, for identification. Refer to Division 5, Section D, for breakdown or Fiche 18A-2, Grids G-4, G-5 or G-6)
400	33279G		Gasket Set (Incl. items marked*)
407	35836		Fill Tube & Dipstick Assy. (Incl. 306 & 308)
420	730225		SAE 30, 4-Cycle Engine Oil (Quart)
421	730226		SAE 5W30, 4-Cycle Engine Oil (Quart)

ILLUSTRATION SHOWS TYPICAL PARTS ONLY. ORDER BY PART NUMBER. PARTS NOT LISTED ARE SUPPLIED BY OEM.



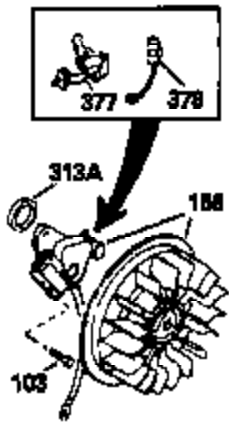
Ref #	Part Number	Qty	Description
1	34809A		Cylinder (Incl. 2,20,72)(3-1/8")(Cl I iner)
2	27652		Pin, Dowel
72	31927		Plug, Oil drain
110	35187		Ground Wire
110	35183		Ground Wire
169	27896A		* Gasket, Breather cover
170	28423		Body, Breather
171	28424		Element, Breather
172	28425		Cover, Valve spring
173	34696		Tube, Breather
174	650128		Screw, 10-24 x 1/2"
178	29752		Nut & Lockwasher, 1/4-28
207	33878		Link, Governor-to-throttle
227	730127		Air Cleaner Ass'y. (Incl. 238, 239, 240, 241, 243, 245 & 370)(Use as required)
227	730164		Air Cleaner Ass'y. (Incl. 238, 239, 240, 241, 243 & 245) (Use as required)
227A	35044		Air Cl.Elbow (Incl.222A,228,235,239A & 242A)
228	650824		Stud, 1/4-20 x 7.33 (Use as required)
228	650851		Stud, 1/4-20 x 8.1 (Use as required)(Used with drilled thru elbow)
229	650825		Nut & Lockwasher, 1/4-20
234	650852		Nut, 1/4-20 (Used with drilled thru e lbow)
235	30675		Fitting, Breather
238	650163		Screw, 10-32 x 7/8"
239	27272A		* Gasket, Air cleaner
241A	35045		A/C Bracket (Used with drilled thru e lbow)
242A	34699		Bracket, Air cleaner
243	28820		Screw, 10-32 x 1/2"
245A	34700		Element, Air cleaner
246A	34703		Filter, Pre-air
250A	34702		Cover, Air cleaner
251	650513		Nut, Wing, 1/4-20
275	33280A		Muffler
276	35740		Plate, Muffler locking
277	650729		Screw, 5/16-18 x 3-3/16"
292	26460		Clamp, Fuel line
305	35554		Tube, Oil fill
306	35499		"O" Ring
370F	35344		Decal, Throttle
370J	34870		Decal, Instruction Can be used on HM80 with diecast starter.
370B	34387		Decal, Instruction Can be used on HM80 with stamped steel recoil starter.
370B	34704		Decal, Air cleaner
380	632325		Carburetor (Incl. 184) (Refer to Division 5, Section A, page A3-14 for breakdown or Fiche 18A-2, Grid F-7)

ILLUSTRATION SHOWS TYPICAL PARTS ONLY. ORDER BY PART NUMBER. PARTS NOT LISTED ARE SUPPLIED BY OEM.

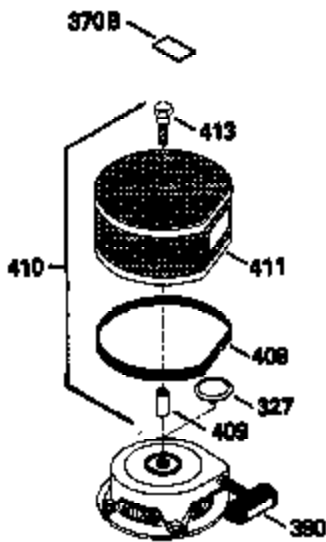
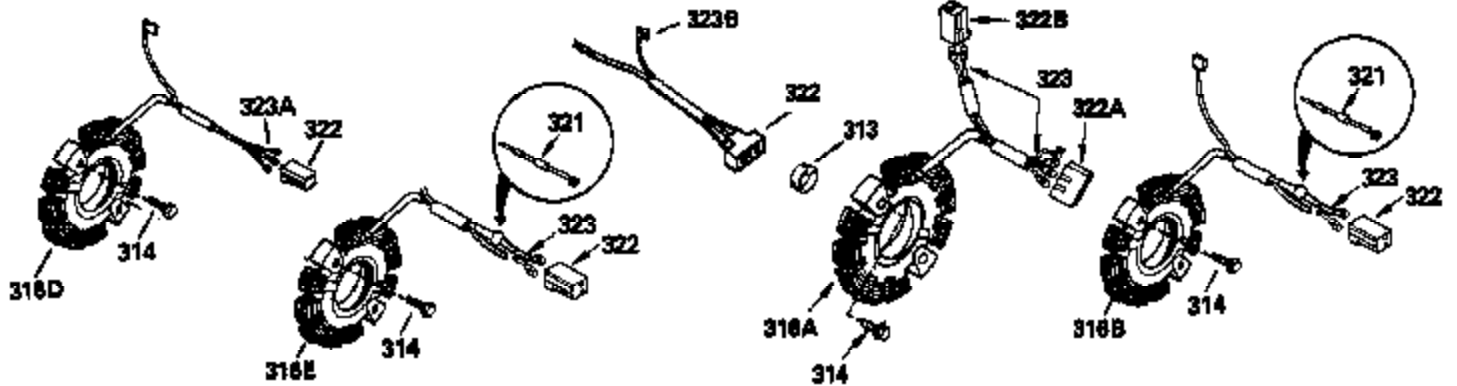
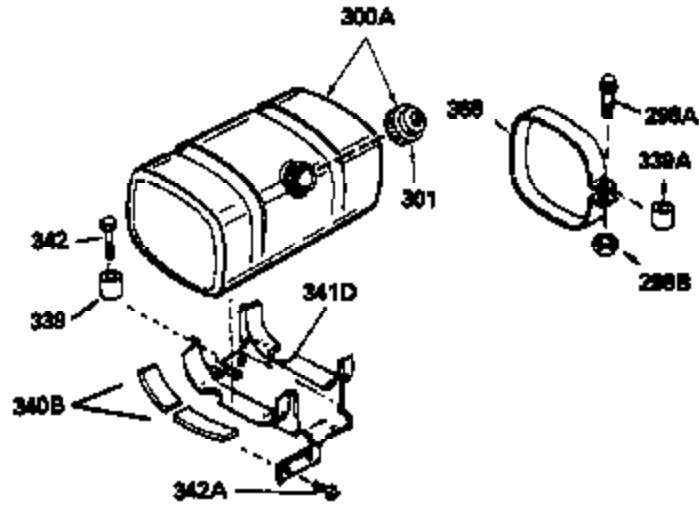


Ref #	Part Number	Qty	Description
16	33454		Governor Lever Assy.
17	29916		Clamp, Governor lever
18	650548		Screw, 8-32 x 5/16"
23	33627		Bearing, Ball
30	35216		Crankshaft (Incl. 108 & 109)
32	33628		Washer, Thrust
32	650625		Washer, Thrust
35	29826		Screw, 10-32 x 3/4"
36	29918		Lockwasher, # 8 E.T.
37	29216		Nut & Lockwasher, 10-32
37A	30322		Locknut, 8-32
38	29642		Ring, Retaining
69	35262		* Gasket, Cylinder cover
70	33626B		Cyl.Cover(Incl.71,74,75,80,175,176,31 1,312)
74	31855		Retainer, Bearing
75	33625		Seal, Oil
86	650488		Screw, 1/4-20 x 1-1/4"
87	650493		Screw, 1/4-20 x 1-3/4"
89	32589		Key, Flywheel
108	29783		Pin, Crankshaft gear
109	33245		Gear, Crankshaft
130A	6021A		Screw, 5/16-18 x 1-1/2" (Use as req.,but not w/650691 washer)
131A	650713		Screw, 5/16-18 x 5/8" (Use as require d)
131	650802		Screw, 1/4-20 x 5/8" (Use as required)
131	650738		Screw, 1/4-20 x 5/8 (Use as required)
175	650778		Lockwasher
176	650580		Nut, Lock, 10-24
274	35865		Gasket, Exhaust (Use as required)
275	33280A		Muffler
277	650729		Screw, 5/16-18 x 3-3/16"
298	650665		Screw, 1/4-15 x 7/8"
301	35355		Fuel Cap
314	650873		Screw, 1/4-20 x 3/4"
341C	34155		Bracket, Fuel tank mounting
361	650820		Screw, 1/4-20 x 1/2"
361A	30063		Screw, Torx T-30, 1/4-20 x 1/2"
370J	34870		Decal, Instruction Can be used on HM80 with diecast starter.
415	730130		Exh.Adaptor Kit (Incl.274,277)(As req uired)

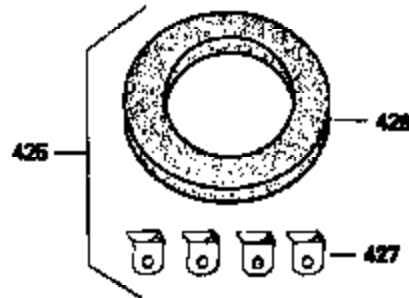
ILLUSTRATION SHOWS TYPICAL PARTS ONLY. ORDER BY PART NUMBER. PARTS NOT LISTED ARE SUPPLIED BY OEM.



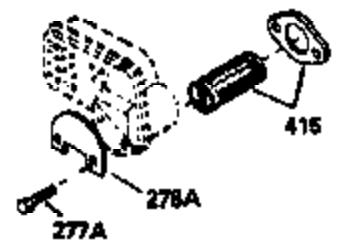
STD. POINT



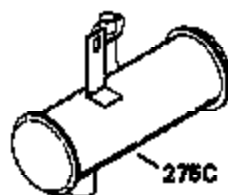
OPTIONAL
 DEBRIS SCREEN KIT



OPTIONAL
 STARTER MUFF KIT



OPTIONAL
 SPARK ARRESTOR KIT



OPTIONAL
 QUIET MUFFLER



OPTIONAL
 ADD-ON ALTERNATOR
 AC LIGHTING OR DC CHARGING

Ref #	Part Number	Qty	Description
103	650814		Screw, Torx T-15, 10-24 x 1"
275C	35824		Muffler (Optional quiet muffler)
277A	650696		Screw, 5/16-18 x 2-3/4" (Used with 27 6A)
301	35355		Fuel Cap
313	35189		Spacer, Coil
314	650873		Screw, 1/4-20 x 3/4"
316B	611104		Alt.Coil (3/5 split) (Incl.321, 322C & 323B)
321	611161		Diode Assy.
342	650561		Screw, 1/4-20 x 5/8"
370J	34870		Decal, Instruction Can be used on HM80 with diecast starter.
370B	34387		Decal, Instruction Can be used on HM80 with stamped steel recoil starter.
370B	34704		Decal, Air cleaner
408	35570		Seal, Screen (Can be used on HM80 with stamped steel recoil starter.)
409	35569		Spacer, Screen
410	730573		Debris Screen Kit (Incl. 327, 370B, 408, 409, 411 & 413)
411	35568		Screen, Debris
413	650907		Screw, 5/16-18 x 1-5/8" (Can be used on HM80 with stamped steel recoil starter)
415	730130		Exh.Adaptor Kit (Incl.274,277)(As required)
425	730572		Starter Muff Kit (Incl. 370J, 426 & 4 27)
426	34687		Air cleaner, Starter
427	34869		Starter Air Cleaner Bracket (Optional)
429	650868		Screw, 8-18 x 1-1/8" (3 Required)
430	611077		Alternator, Add on
431	590609		Centering tube (Use with engines equipped with diecast aluminum starter)
431	590610		Centering tube
432	611078		A.C. Lighting Connector
432	611079		D.C. Charging Connector
433	590611		Alternator Shaft (4.00") (Use with engines equipped with diecast aluminum starter)
433	590636		Alternator Shaft (Use with engines equipped with stamped steel starter) (Use as required) (Refer to Mechanic's Handbook for installation instructions).