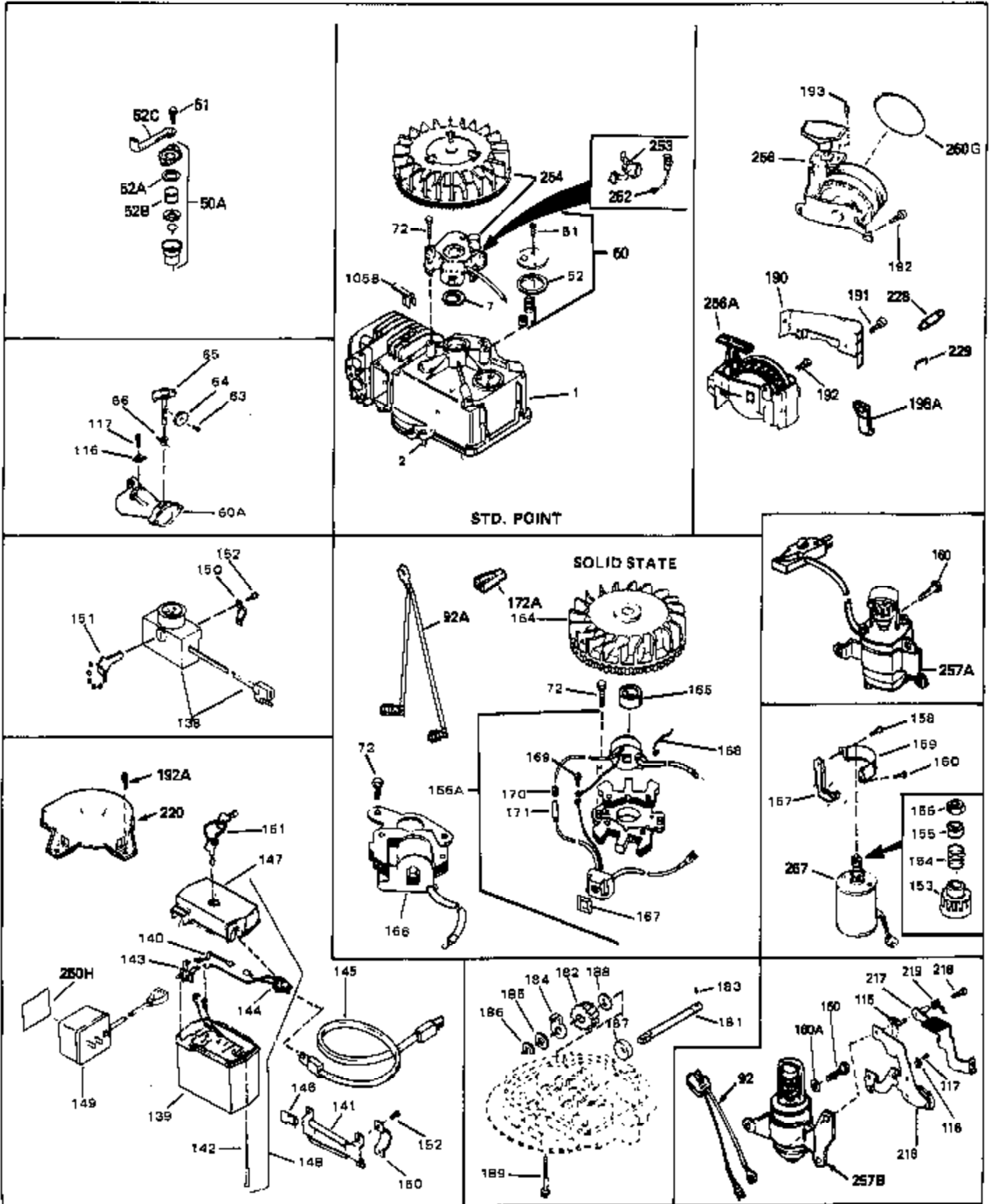


Engine Parts List #1

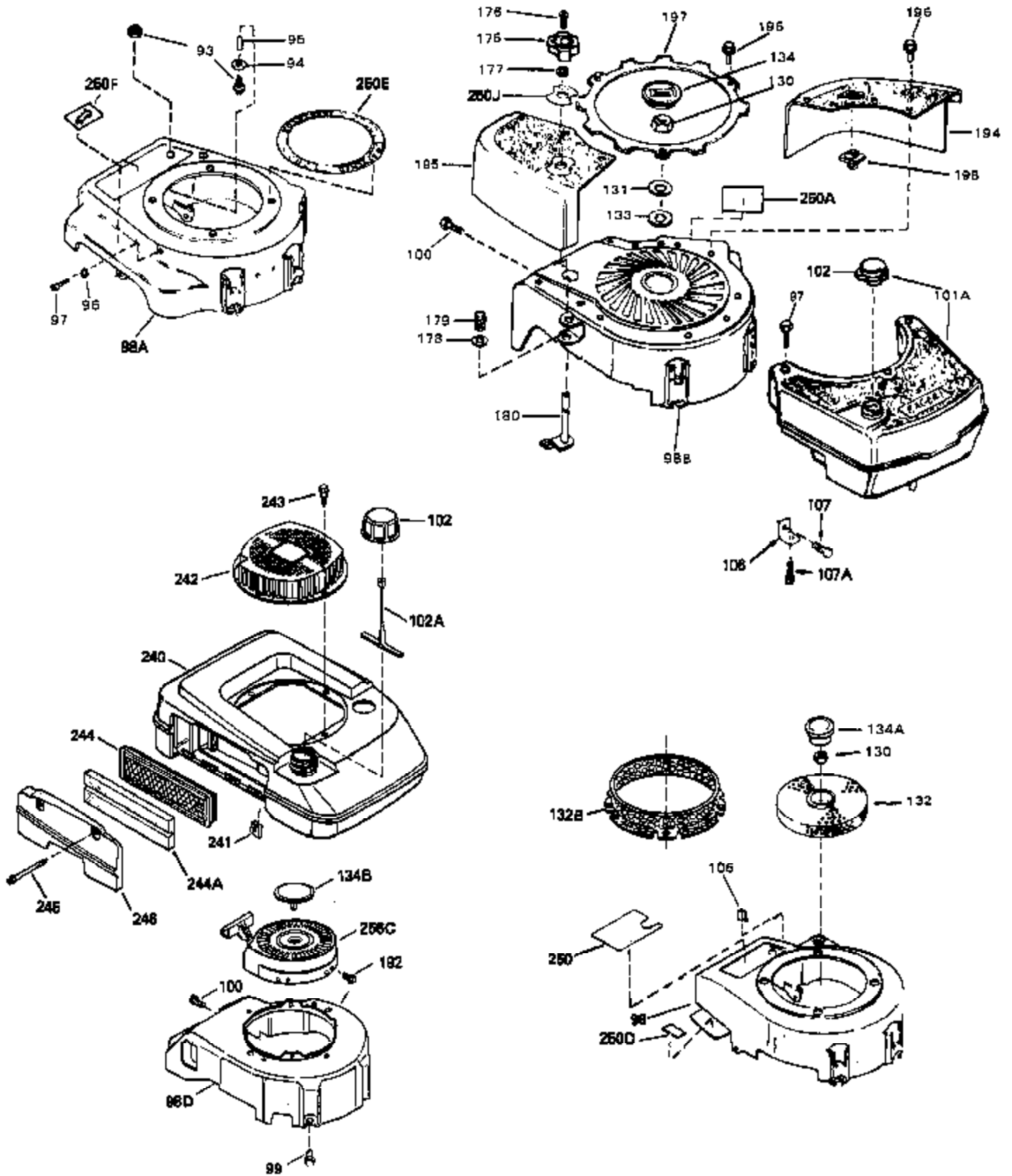
Ref #	Part Number	Qty	Description
1	32999A	0	Cylinder Assy. (2-5/8" Bore)
2	26727	0	Pin, Dowel
4	32600	0	Seal, Oil
5	29314B	0	Valve, Intake (Standard) (Conventional
5	29315C	0	Valve, Exhaust (1/32" oversize)
6	29313C	0	Valve, Exhaust (Standard) (Conventional
6	29315C	0	Valve, Exhaust (1/32" oversize)
8	31671	0	Cap, Upper valve spring
9	31672	0	Spring, Valve
10	31673	0	Cap, Lower valve spring
11	32885B	0	Crankshaft Assy.
12	29783	0	Pin, Crankshaft gear
13	27613	0	Gear, Crankshaft
14	34851	0	Piston, Pin & Ring Assy. (Std.) (2-5/8")
14	34852	0	Piston, Pin & Ring Assy. (.010 oversize)
14	34853	0	Piston, Pin & Ring Assy. (.020 oversize)
14A	32603B	0	Piston & Pin Assy. (Std.) (2-5/8")
14A	32604B	0	Piston & Pin Assy. (.010 oversize)
14A	32605B	0	Piston & Pin Assy. (.020 oversize)
15	34854	0	Ring Set, Piston (Standard) (2-5/8")
15	34855	0	Ring Set, Piston (.010 oversize)
15	34856	0	Ring Set, Piston (.020 oversize)
17A	32875	0	Rod Assy., Connecting
18A	32610A	0	Bolt, Connecting rod
18	32609	0	Plate, Lock
21A	32646	0	Lifter, Intake valve
21	27241	0	Lifter, Valve
22	32647	0	Camshaft (Mech. Compression Release)
23	29914	0	Pump Assy., Oil
24	32793	0	Gasket, Mounting flange
25	33000A	0	Flange Assy., Mounting
26	26208	0	Seal, Oil
29	9556	0	Plug, Oil drain (Sq. hd. pipe, 1/8-27)
30	650488	0	Screw
31	30590A	0	Washer, Flat
32	30574	0	Shaft, Mechanical governor
33	30591	0	Gear Assy., Governor
34	29193	0	Ring, Retaining
35	30588A	0	Spool, Governor
36	31335	0	Clamp, Governor lever
37	28277	0	Washer, Flat
38	650548	0	Screw, Hex washer hd., 8-32 x 5/16
39	31383A	0	Lever, Governor
40	32863	0	Spring, Extension
41	31513	0	Rod, Governor
43	610961	0	Key, Flywheel (Std. Pt. Ign.)
44A	6021A	0	Screw, Hex flange hd., 5/16-18 x 1-1/2
44	650694A	0	Screw, Hex flange hd., 5/16-18 x 2
45	33636	0	Plug, Spark (Champion J-8 or equivalent)
45	34251	0	Resistor Spark Plug
46	32643	0	Gasket, Cylinder head
47	32856	0	Head, Cylinder (Low Compression)
48	26073	0	Washer, Connecting rod bolt
49A	32928	0	Spacer
49	650597	0	Screw, Hex washer hd., 10-24 x 5/8
49	650628A	0	Screw, Hex hd. cap, 5/16-18 x 2-3/8
50	34215	0	Breather Assy.
51	30200	0	Screw

Engine Parts List #1

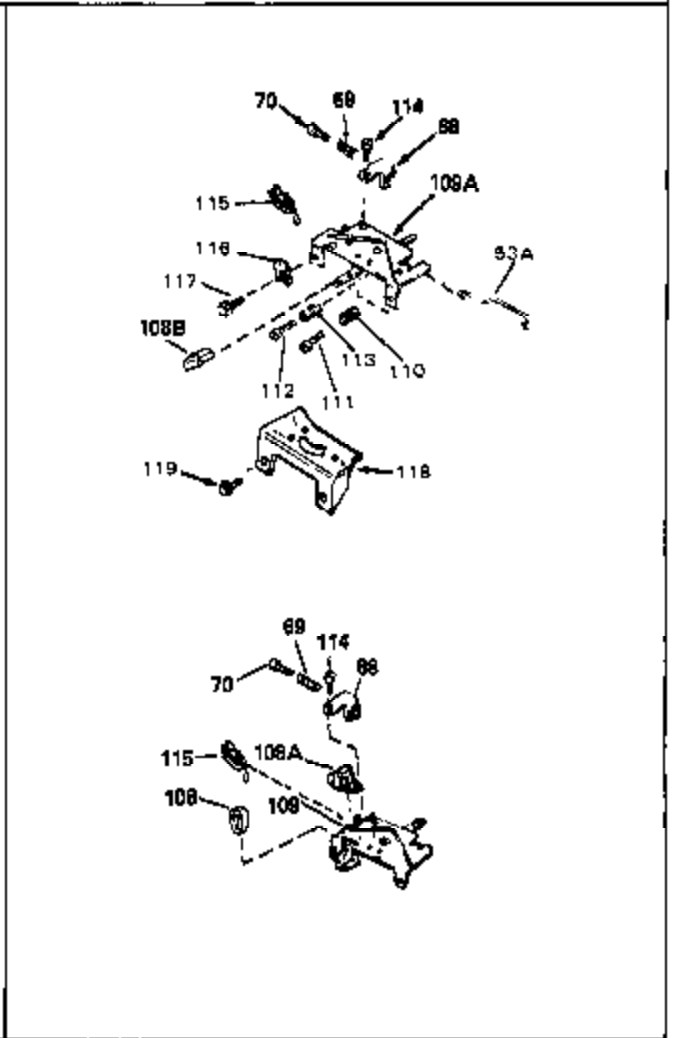
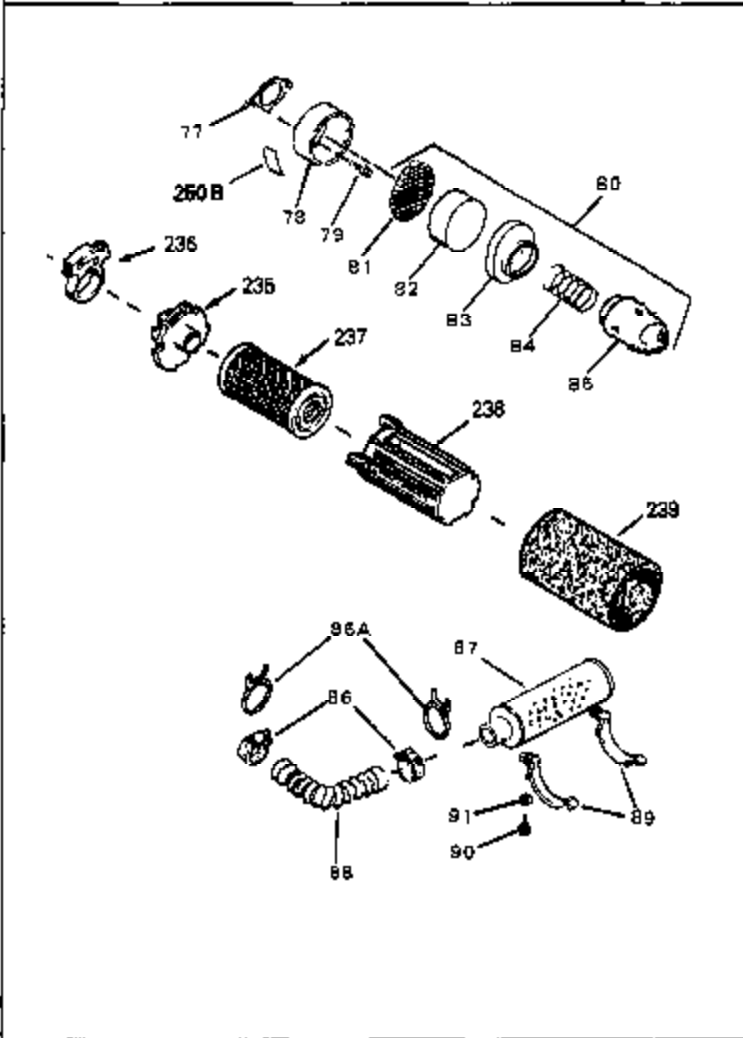
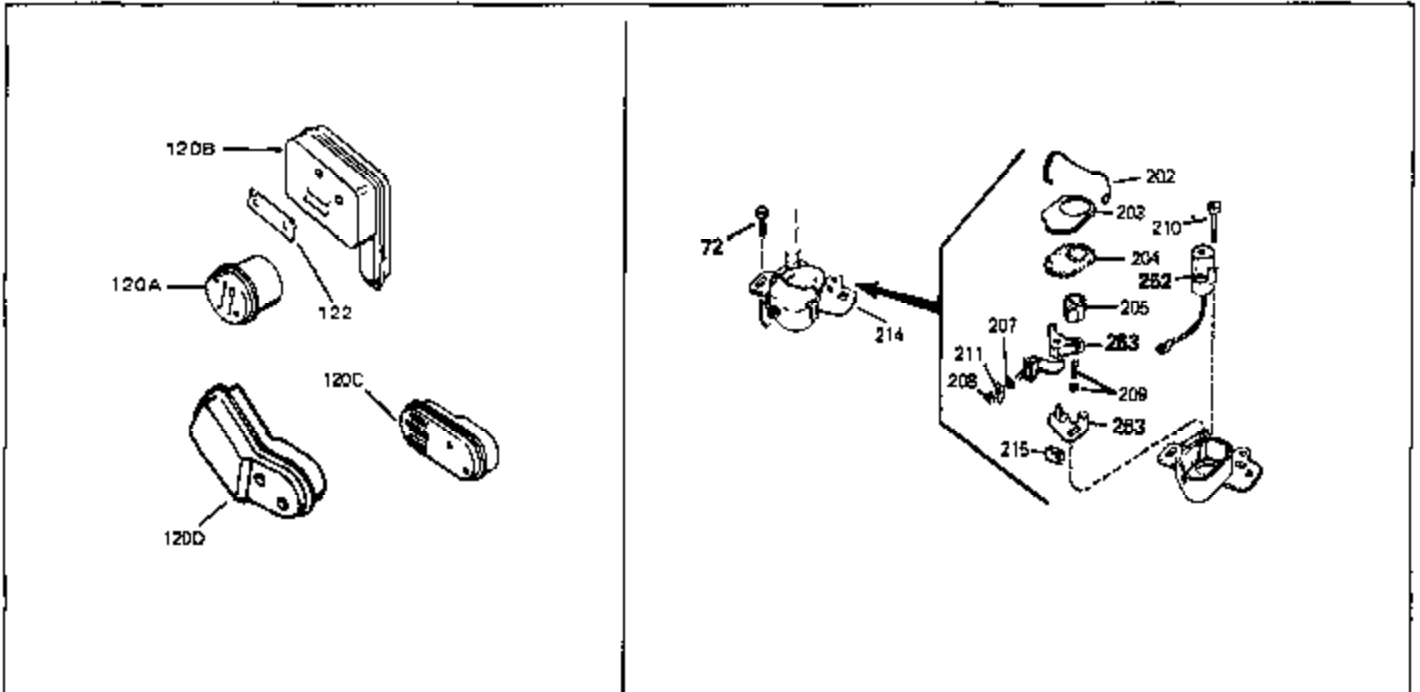
Ref #	Part Number	Qty	Description
52	32760	0	Gasket, Breather
53	32854	0	Link, Throttle
55	32755	0	Cover, Valve spring box
56	27234	0	Gasket, Breather cover
57	30063	0	Screw
58	32756	0	Stud, Spacer
59	32649	0	Gasket, Intake
61A	650451	0	Screw
61	6201	0	Screw
62	650451	0	Screw
67	32878	0	Gasket, Carburetor (1/8" thick)
99	650831	0	Screw, Hex washer hd. Powerlok thread,
101	32798	0	Tank Assy., Fuel (Charcoal Poly) (1 qt.)
102	34118	0	Cap, Fuel filler (Red Plastic) (Spurt
102	410144B	0	Cap, Fuel filler (White Plastic) (Std.)
103	29774	0	Line, Fuel (Braided 8.25")
103	30705	0	Line, Fuel (Braided 16")
103	34357	0	Line, Fuel (Epichlorohydrin 6-3/4")
104	26460	0	Clamp, Fuel line
105A	30593	0	Clip, Magneto wire
115	610973	0	Terminal Assy.
120	32864	0	Muffler (Louvres)
121	650493	0	Screw, Hex hd. Sems, 1/4-20 x 1-3/4
123	32752	0	Gasket, Exhaust
124	650562	0	Screw
125	30139	0	"O" Ring
125	34282	0	"O" Ring (.612 I.D. x .812 O.D. x .103
126	32799	0	Tube, Oil filler
127	29985	0	"O" Ring
128	30140	0	Dipstick, Oil (Screw In)
129	610118	0	Cover, Spark plug
130	650607	0	Nut, Flywheel
131	650815	0	Washer, Belleville
135A	32872	0	Lever, R.P.M. adjusting
136	30773	0	Bushing
137	650618	0	Screw
192A	0	0	Rivet, Pop (3/16" Dia.)
201	730207	0	Magneto-to-Solid State Conversion Kit
250C	31353	0	Decal, Instruction
251	631021	0	Inlet Needle, Seat & Clip Assy.
255	631532	0	Carburetor
258	33238C	0	Gasket Set



Ref #	Part Number	Qty	Description
1	32999A	0	Cylinder Assy. (2-5/8" Bore)
2	26727	0	Pin, Dowel
50	34215	0	Breather Assy.
51	30200	0	Screw
52	32760	0	Gasket, Breather
60A	32903	0	Pipe, Intake
63	650506	0	Screw
64	631036	0	Shutter, Throttle
65	631530	0	Shaft Assy., Throttle
66	631066	0	Spring, Return
72	650489	0	Screw
115	610973	0	Terminal Assy.
116	27793	0	Clip, Conduit
117	28942	0	Screw
139	33024	0	Box, Battery
140	33026	0	Wire, Terminal
141	32725	0	Bracket, Battery box
142	650710	0	Screw
143	33022	0	Terminal, Charging
144	33023	0	Plug, Output
145	32986	0	Cord Assy., Starter (56")
146	32962	0	"U" Clip
147	33021	0	Cover Assy., Battery
148	32635A	0	Battery Box Assy.
149	32659	0	Charger, Battery (110 Volt) (Domestic)
149	32861	0	Charger, Battery (220 Volt) (Export only)
150	32726	0	Clamp, Switch box (3/4")
150	32733	0	Clamp, Switch box (7/8")
151	32636	0	Key & Chain Assy.
152	590152	0	Screw, Pan hd. thr'd cutting, 8-32 x 3/8
153	32802	0	Gear, Starting
154	32803	0	Spring, Return
155	32804	0	Collar
156	792075	0	Hex nut (5/16-24)
157	32801	0	Bracket, Starter retaining
158	650561	0	Screw
159	32800	0	Strap, Electric starter
160	30063	0	Screw
181	31748	0	Shaft, P.T.O.
182	31746	0	Gear, Worm
184	31745	0	Washer, Tang
185	31787	0	Washer, Flat
186	31749	0	Ring, Retaining
187	31744	0	Seal, Oil
188	31747	0	Washer, Thrust
189	650492	0	Screw
192A	0	0	Rivet, Pop (3/16" Dia.)
192	650737	0	Screw, Hex washer hd. taptite, 1/4-20 x 1/2
250G	33407	0	Decal, Decorative
250H	32998	0	Decal, Battery charger
252	30548B	0	Condenser
253	30547A	0	Contact Assy., Breaker
254	610812	0	Magneto, Tecumseh (w/ring gear) (12 Volt)
256	590429A	0	Starter, Side mount rewind
257	32806	0	Motor, Electric starter (12 Volt)



Ref #	Part Number	Qty	Description
98	32795A	0	Housing, Blower (5.56 dia. starter mtg. bolt
99	650831	0	Screw, Hex washer hd. Powerlok thread,
102	34118	0	Cap, Fuel filler (Red Plastic) (Spurt
102	410144B	0	Cap, Fuel filler (White Plastic) (Std.)
130	650607	0	Nut, Flywheel
131	650815	0	Washer, Belleville
132	32237	0	Screen, Flywheel
192	650737	0	Screw, Hex washer hd. taptite, 1/4-20 x 1/2



Ref #	Part Number	Qty	Description
86	30348	0	Clamp, Hose
87	32796	0	Filter, Air cleaner
88	33142	0	Tube, Air intake
89	32797	0	Retainer, Air cleaner
90	650665	0	Screw
91	650168	0	Washer, Flat
115	610973	0	Terminal Assy.
116	27793	0	Clip, Conduit
117	28942	0	Screw
239	35435	0	Filter, Pre-Air (Poly)
252	30548B	0	Condenser
253	30547A	0	Contact Assy., Breaker