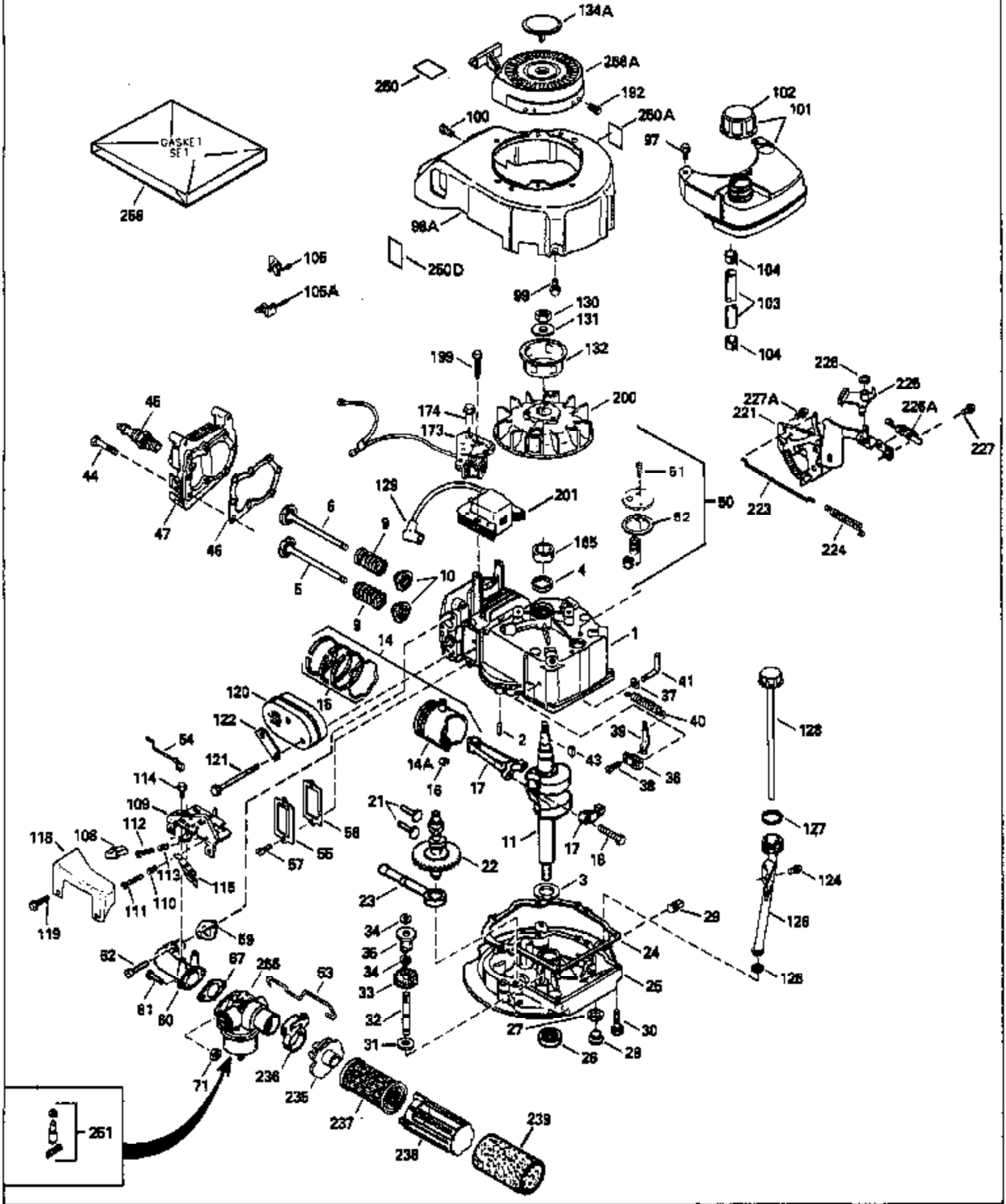


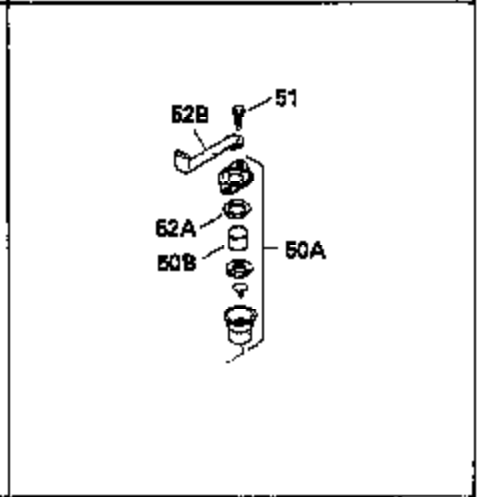
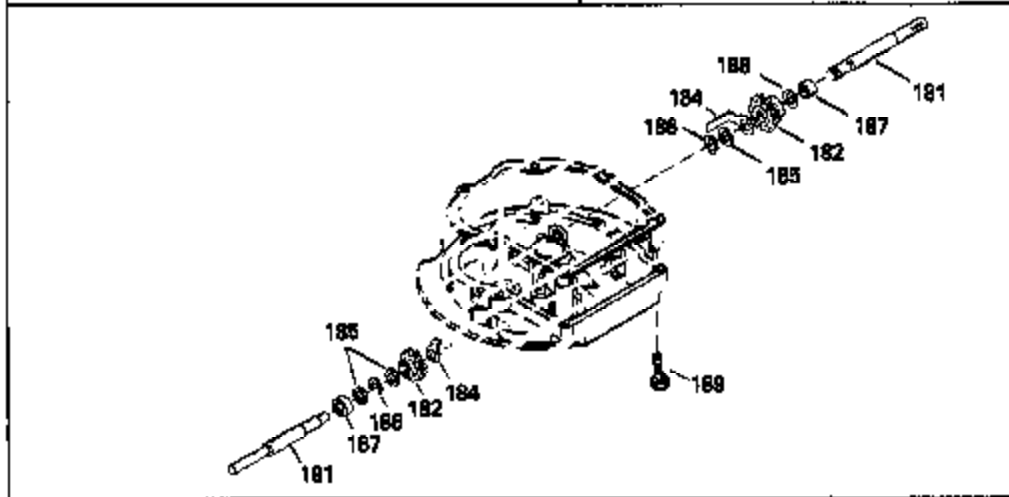
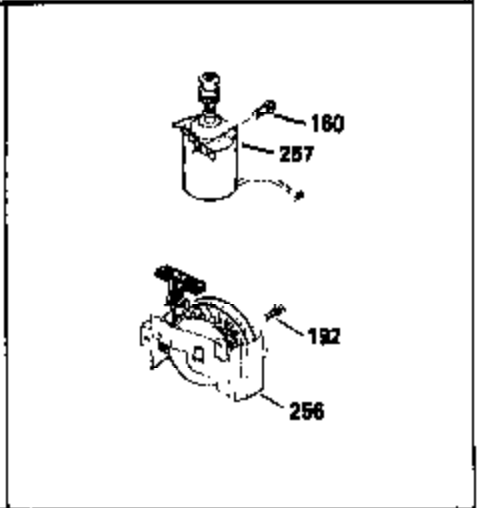
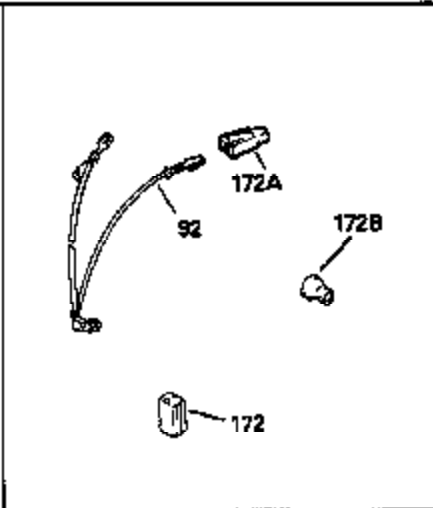
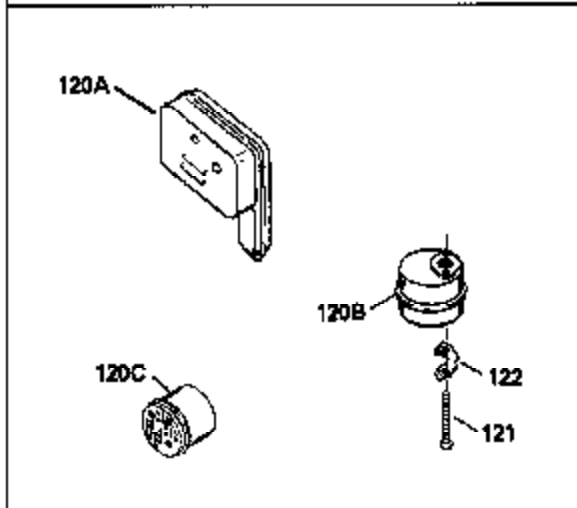
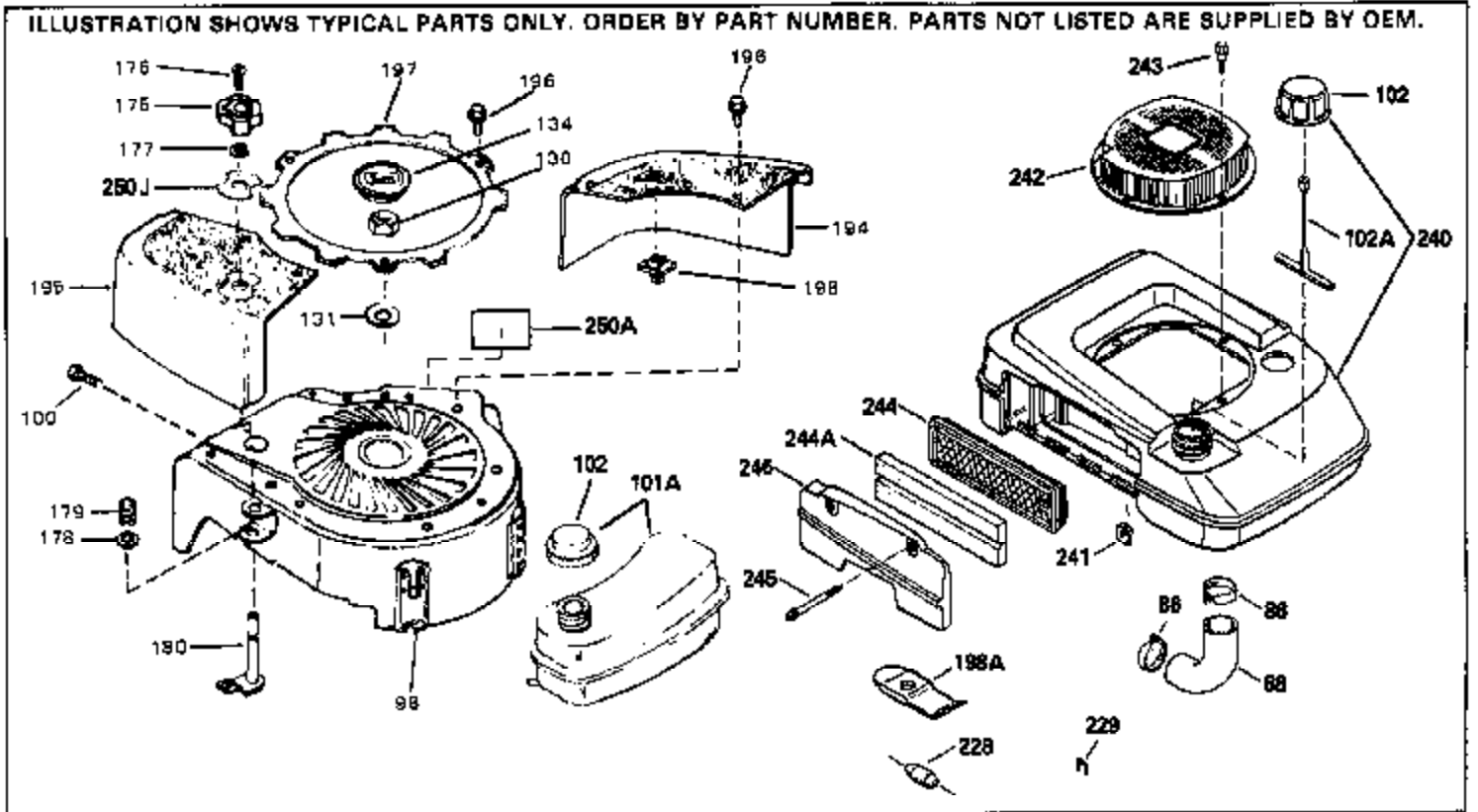
ILLUSTRATION SHOWS TYPICAL PARTS ONLY. ORDER BY PART NUMBER. PARTS NOT LISTED ARE SUPPLIED BY OEM.



Engine Parts List #1

| Ref # | Part Number | Qty | Description |
|-------|-------------|-----|---|
| 1 | 34959 | | Cylinder Ass'y. (Incl. 2, 4, 50, 51 & 52) |
| 2 | 26727 | | Dowel Pin |
| 3 | 32323 | | Washer |
| 4 | 32600 | | Oil Seal |
| 5 | 29313C | | Exhaust Valve (Std.) (Incl.10) |
| 5 | 29315C | | Exhaust Valve (1/32" OS) (Incl. 10) |
| 6 | 29314B | | Intake Valve (Std.) (Incl. 10) |
| 6 | 29315C | | Intake Valve (1/32" OS) (Incl. 10) |
| 9 | 31672 | | Valve Spring |
| 10 | 31673 | | Lower Valve Spring Cap |
| 11 | 35166 | | Crankshaft |
| 14A | 35541 | | Piston & Pin Ass'y. (Std.) (Incl. 16) |
| 14A | 35542 | | Piston & Pin Ass'y. (.010 OS) (Incl. 16) |
| 14A | 35543 | | Piston & Pin Ass'y. (.020 OS) (Incl. 16) |
| 14 | 35544 | | Piston, Pin & Ring Set (Std.) |
| 14 | 35545 | | Piston, Pin & Ring Set (.010 OS) |
| 14 | 35546 | | Piston, Pin & Ring Set (.020 OS) |
| 15 | 35547 | | Ring Set (Std.) |
| 15 | 35548 | | Ring Set (.010 OS) |
| 15 | 35549 | | Ring Set (.020 OS) |
| 16 | 20381 | | Piston Pin Retaining Ring |
| 17 | 30963B | | Connecting Rod (Incl. 18) |
| 18 | 32610A | | Connecting Rod Bolt |
| 21 | 27241 | | Valve Lifter |
| 22 | 33553 | | Camshaft (Mech. Compression Release) |
| 23 | 29914 | | Oil Pump Ass'y. |
| 24 | 35261 | | * Mounting Flange Gasket |
| 25 | 34311B | | Mounting Flange (Incl. 26, 28, 29 & 3 2) |
| 26 | 27897 | | Oil Seal |
| 28 | 27244 | | Oil Drain Plug |
| 30 | 650488 | | Screw, 1/4-20 x 1-1/4" |
| 31 | 35479 | | Washer |
| 32 | 30574 | | Governor Shaft |
| 33 | 30591 | | Governor Gear Ass'y. (Incl. 31) |
| 34 | 29193 | | Retaining Ring |
| 35 | 30588A | | Governor Spool |
| 36 | 31335 | | Governor Lever Clamp |
| 37 | 28277 | | Washer |
| 38 | 650548 | | Screw, 8-32 x 5/16" |
| 39 | 31383A | | Governor Lever |
| 40 | 31361 | | Extension Spring |
| 41 | 30589 | | Governor Rod (Incl. 37) |
| 43 | 611004 | | Flywheel Key |
| 44 | 6021A | | Screw, 5/16-18 x 1-1/2" |
| 45 | 35395 | | Resistor Spark Plug (RJ19LM) |
| 46 | 32643A | | * Cylinder Head Gasket |
| 47 | 34335 | | Cylinder Head |
| 50 | 34215 | | Breather Ass'y. (Incl. 51 & 52) |
| 51 | 30200 | | Screw, 10-24 x 9/16" |
| 52 | 32760A | | * Breather Gasket |
| 53 | 34336 | | Throttle Link |
| 54 | 34337 | | Governor Link |
| 55 | 32755 | | Valve Spring Box Cover |
| 56 | 27234A | | * Valve Spring Cover Gasket |
| 57 | 650128 | | Screw, 10-24 x 1/2" |
| 59 | 34690A | | * Intake Pipe Gasket |
| 60 | 31384A | | Intake Pipe (Incl. 59) |
| 61 | 6201 | | Screw, 1/4-28 x 7/8" |

| Ref # | Part Number | Qty | Description |
|-------|-------------|-----|--------------------------------------|
| 62 | 650451 | | Screw, 1/4-20 x 1" |
| 67 | 26756 | | * Carburetor Gasket |
| 71 | 29752 | | Nut, 1/4-28 |
| 97 | 28763 | | Screw, 10-32 x 19/32" |
| 98A | 35393 | | Blower Housing |
| 99 | 650831 | | Screw, 1/4-20 x 15/32" |
| 100 | 30200 | | Screw, 10-24 x 9/16" |
| 101 | 34369A | | Fuel Tank (Incl. 102 & 104) |
| 102 | 35355 | | Fuel Cap |
| 103 | 30705 | | Fuel Line |
| 104 | 26460 | | Fuel Line Clamp |
| 108 | 32410 | | Control Knob |
| 109 | 35727 | | Control Bracket (Incl. 110 thru 115) |
| 110 | 33802 | | Compression Spring |
| 111 | 650777 | | Screw, 6-32 x 21/32" |
| 112 | 650549 | | Screw, 5-40 x 7/16" |
| 113 | 31342 | | Compression Spring |
| 114 | 30200 | | Screw, 10-24 x 9/16" |
| 115 | 610973 | | Terminal |
| 118 | 35176 | | Speed Control Cover |
| 119 | 650807 | | Screw, 10-32 x 7/16" |
| 120 | 34613 | | Muffler |
| 121 | 650795 | | Screw, 1/4-20 x 2-1/4" |
| 122 | 33753 | | Locking Plate |
| 124 | 650562 | | Screw, 10-32 x 1/2" |
| 125 | 34265 | | Fill Tube Gasket |
| 126 | 35577 | | Oil Fill Tube |
| 127 | 35499 | | "O" Ring |
| 128 | 35578 | | Dipstick |
| 129 | 610118 | | Spark Plug Cover |
| 130 | 650816 | | Flywheel Nut |
| 131 | 650815 | | Belleville Washer |
| 132 | 35000 | | Starter Cup |
| 134A | 35392 | | Starter Plug |
| 165 | 34080 | | Flywheel Key Spacer |
| 192 | 650884 | | Screw, 8-32 x 1/2" |
| 199 | 650814 | | Screw, 10-24 x 1" |
| 200 | 611112 | | Flywheel |
| 201 | 34443A | | Solid State Ignition |
| 221 | 35015A | | S.E. Brake Bracket |
| 223 | 34966 | | Control Link |
| 224 | 34965 | | Extension Spring |
| 225 | 34968 | | Brake Lever |
| 226 | 32309 | | Retaining Ring |
| 226A | 610973 | | Terminal |
| 227A | 650837 | | Screw, 10-32 x 1/4" |
| 227 | 650839 | | Screw, 1/4-20 x 3/8" |
| 235 | 35067 | | Air Cleaner Collar |
| 236 | 35068 | | Air Cleaner Clamp |
| 237 | 35066 | | Air Cleaner Filter |
| 238 | 35065 | | Air Cleaner Cover |
| 250A | 35391 | | Instruction Decal |
| 255 | 632389 | | Carburetor (Incl. 67) |
| 256A | 590621 | | Rewind Starter |
| 258 | 33238D | | Gasket Set (Incl. items marked *) |



| Ref # | Part Number | Qty | Description |
|-------|-------------|-----|-------------------------|
| 51 | 30200 | | Screw, 10-24 x 9/16" |
| 92 | 34961 | | Ground Wire |
| 100 | 30200 | | Screw, 10-24 x 9/16" |
| 102 | 35355 | | Fuel Cap |
| 121 | 650795 | | Screw, 1/4-20 x 2-1/4" |
| 122 | 33753 | | Locking Plate |
| 130 | 650816 | | Flywheel Nut |
| 131 | 650815 | | Belleville Washer |
| 192 | 650884 | | Screw, 8-32 x 1/2" |
| 228 | 34985 | | Starter Rope Retainer |
| 229 | 35025 | | Starter Retainer Staple |
| 250A | 35391 | | Instruction Decal |