



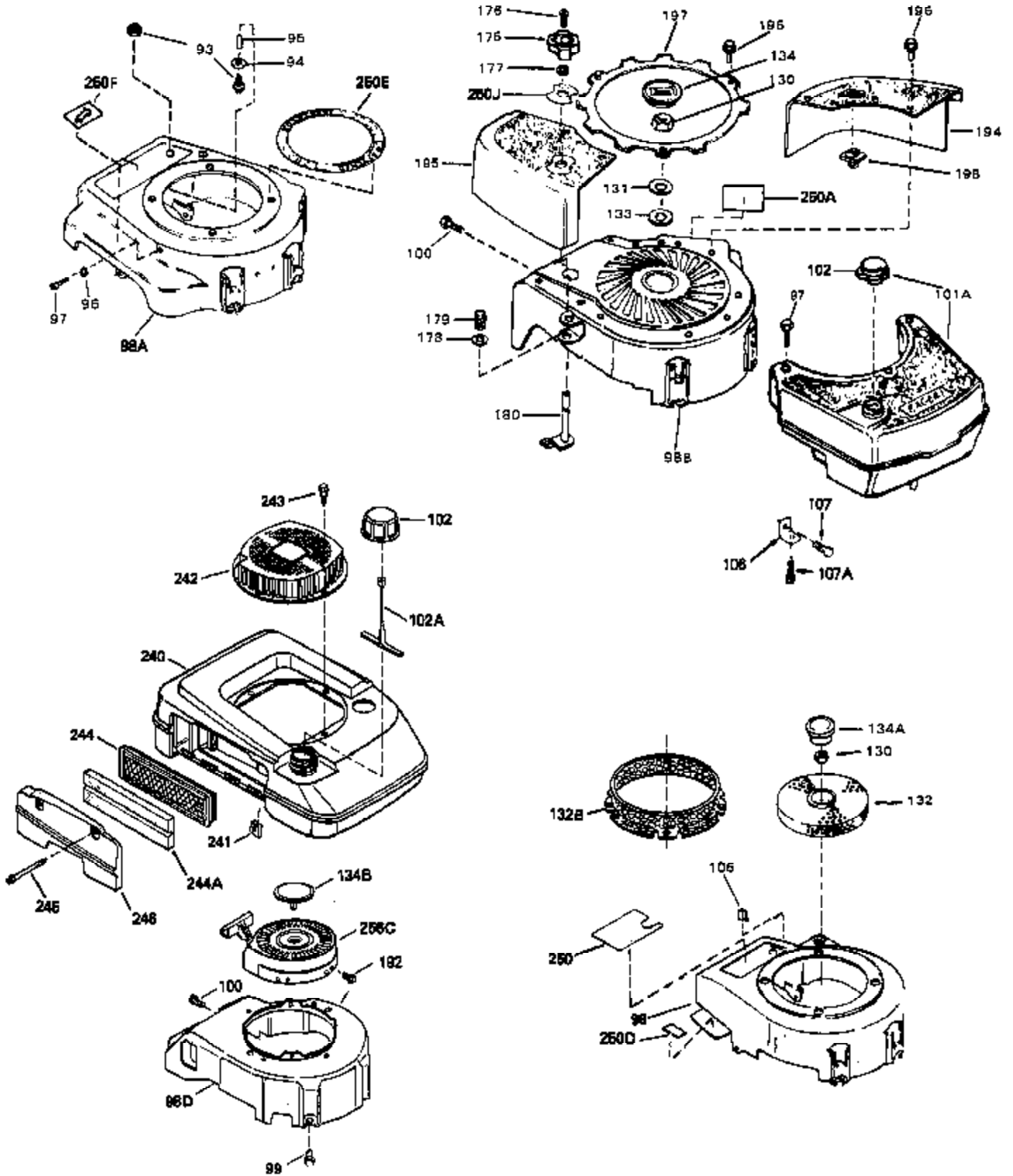
Engine Parts List #1

| Ref # | Part Number | Qty | Description |
|-------|-------------|-----|--|
| 1 | 35180 | 0 | Cylinder Assy. |
| 2 | 26727 | 0 | Pin, Dowel |
| 3 | 32323 | 0 | Washer, Thrust (.010" thick) |
| 4 | 32600 | 0 | Seal, Oil |
| 5 | 29313C | 0 | Valve, Exhaust (Standard) (Conventional) |
| 5 | 29315C | 0 | Valve, Exhaust (1/32" oversize) |
| 6 | 29314B | 0 | Valve, Intake (Standard) (Conventional) |
| 6 | 29315C | 0 | Valve, Exhaust (1/32" oversize) |
| 8 | 31671 | 0 | Cap, Upper valve spring |
| 9 | 31672 | 0 | Spring, Valve |
| 10 | 31673 | 0 | Cap, Lower valve spring |
| 11 | 35175 | 0 | Crankshaft Assy. |
| 12 | 29783 | 0 | Pin, Crankshaft gear |
| 13 | 27613 | 0 | Gear, Crankshaft |
| 14A | 32603B | 0 | Piston & Pin Assy. (Std.) (2-5/8") |
| 14A | 32604B | 0 | Piston & Pin Assy. (.010 oversize) |
| 14A | 32605B | 0 | Piston & Pin Assy. (.020 oversize) |
| 14 | 34851 | 0 | Piston, Pin & Ring Assy. (Std.) (2-5/8") |
| 14 | 34852 | 0 | Piston, Pin & Ring Assy. (.010 oversize) |
| 14 | 34853 | 0 | Piston, Pin & Ring Assy. (.020 oversize) |
| 15 | 34854 | 0 | Ring Set, Piston (Standard) (2-5/8") |
| 15 | 34855 | 0 | Ring Set, Piston (.010 oversize) |
| 15 | 34856 | 0 | Ring Set, Piston (.020 oversize) |
| 16 | 20381 | 0 | Ring, Piston pin retaining |
| 17 | 30963B | 0 | Rod Assy., Connecting |
| 18A | 32610A | 0 | Bolt, Connecting rod |
| 21A | 27241 | 0 | Lifter, Valve |
| 21 | 27241 | 0 | Lifter, Valve |
| 22 | 33553 | 0 | Camshaft (Mechanical Compression Release) |
| 23 | 29914 | 0 | Pump Assy., Oil |
| 24 | 35261 | 0 | Gasket, Mounting flange |
| 25 | 34311B | 0 | Flange Assy., Mounting |
| 26 | 27897 | 0 | Seal, Oil |
| 28 | 30572 | 0 | Plug, Drain (Hex hd. 3/8-18) |
| 30 | 650488 | 0 | Screw |
| 31 | 30590A | 0 | Washer, Flat |
| 32 | 30574 | 0 | Shaft, Mechanical governor |
| 33 | 30591 | 0 | Gear Assy., Governor |
| 34 | 29193 | 0 | Ring, Retaining |
| 35 | 30588A | 0 | Spool, Governor |
| 36 | 31335 | 0 | Clamp, Governor lever |
| 37 | 28277 | 0 | Washer, Flat |
| 38 | 650548 | 0 | Screw, Hex washer hd., 8-32 x 5/16 |
| 39 | 31383A | 0 | Lever, Governor |
| 40 | 31361 | 0 | Spring, Governor |
| 41 | 30589 | 0 | Rod, Governor |
| 43 | 611004 | 0 | Key, Flywheel (External Solid State -Gold) |
| 44 | 650694A | 0 | Screw, Hex flange hd., 5/16-18 x 2 |
| 44A | 6021A | 0 | Screw, Hex flange hd., 5/16-18 x 1-1/2 |
| 45 | 35395 | 0 | Plug, Spark (Champion RJ-19LM or equivalent) |
| 46 | 33015 | 0 | Gasket, Cylinder head |
| 47 | 34342 | 0 | Head, Cylinder |
| 48 | 26073 | 0 | Washer, Connecting rod bolt |
| 50 | 34215 | 0 | Breather Assy. |
| 51 | 30200 | 0 | Screw |
| 52 | 32760 | 0 | Gasket, Breather |
| 53 | 34336 | 0 | Link, Governor-to-throttle |
| 54 | 34337 | 0 | Link, Governor spring |

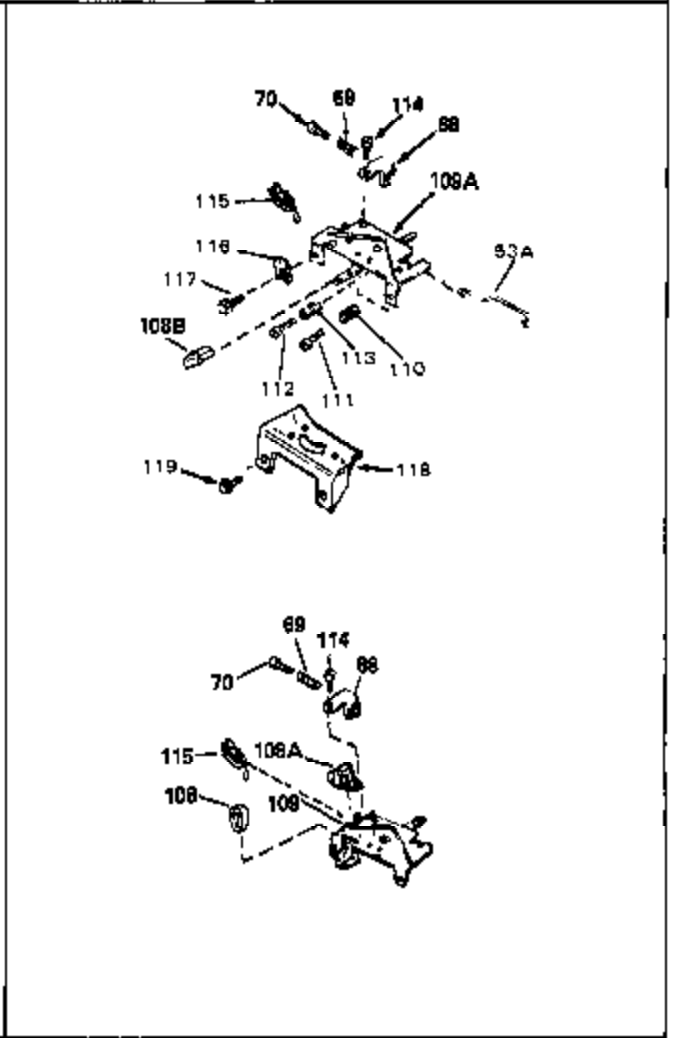
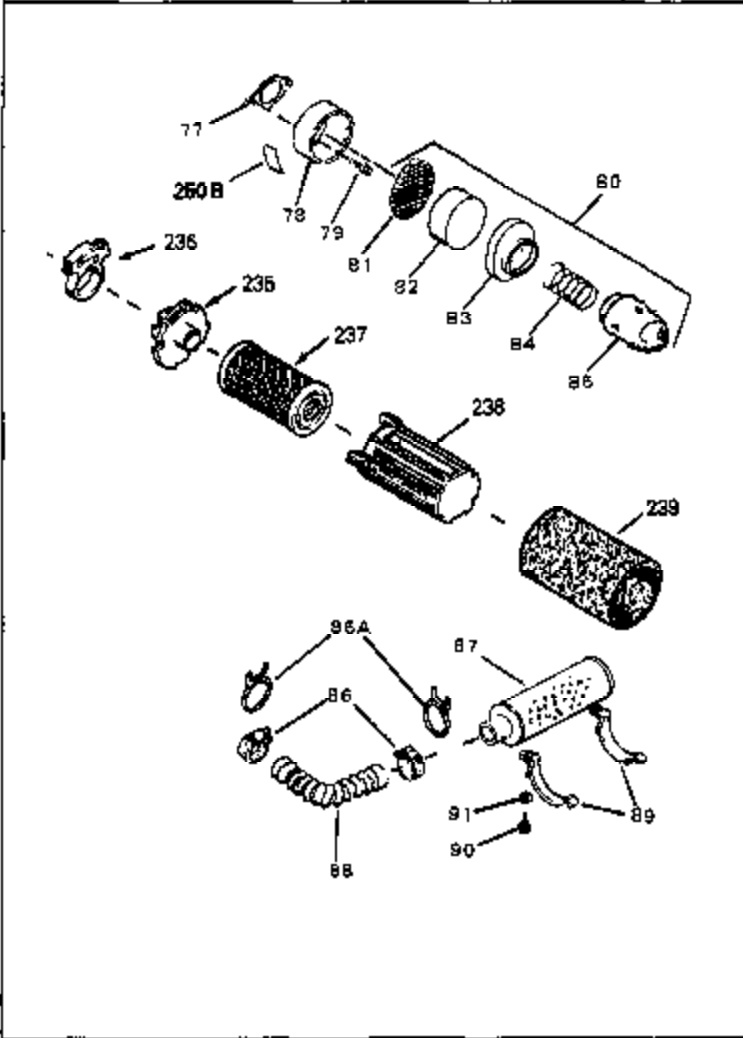
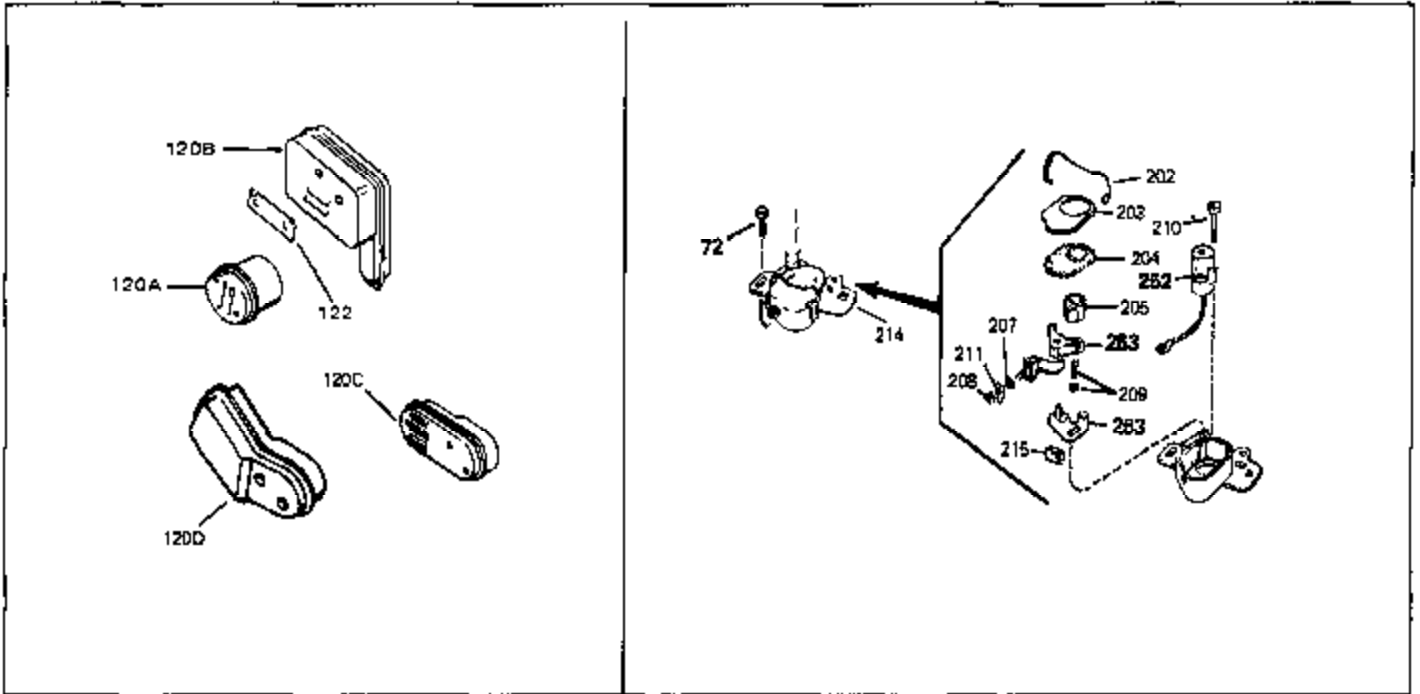
| Ref # | Part Number | Qty | Description |
|-------|-------------|-----|--|
| 55 | 32755 | 0 | Cover, Valve spring box |
| 56 | 27234 | 0 | Gasket, Breather cover |
| 57 | 650128 | 0 | Screw |
| 59 | 34690 | 0 | Gasket, Intake |
| 60 | 31384A | 0 | Pipe, Intake |
| 61 | 6201 | 0 | Screw |
| 62 | 650451 | 0 | Screw |
| 67 | 26756 | 0 | Gasket, Carburetor |
| 71 | 29752 | 0 | Nut |
| 99 | 650831 | 0 | Screw, Hex washer hd. Powerlok thread, |
| 100 | 30200 | 0 | Screw |
| 102 | 34118 | 0 | Cap, Fuel filler (Red Plastic) (Spurt |
| 102 | 35355 | 0 | Cap, Fuel filler (Red Plastic) |
| 102 | 410144B | 0 | Cap, Fuel filler (White Plastic) (Std.) |
| 103 | 29774 | 0 | Line, Fuel (Braided 8.25") |
| 103 | 30705 | 0 | Line, Fuel (Braided 16") |
| 103 | 34357 | 0 | Line, Fuel (Epichlorohydrin 6-3/4") |
| 104 | 26460 | 0 | Clamp, Fuel line |
| 115 | 610973 | 0 | Terminal Assy. |
| 121 | 650869 | 0 | Screw, Hex hd., 1/4-20 x 2-3/4 |
| 124 | 650562 | 0 | Screw |
| 125 | 34265 | 0 | Gasket, Oil fill tube |
| 125 | 34282 | 0 | "O" Ring (.612 I.D. x .812 O.D. x .103 |
| 126 | 34264 | 0 | Tube Assy., Oil fill (Plastic) |
| 127 | 33590 | 0 | "O" Ring |
| 128 | 34267 | 0 | Dipstick, Oil (Twist Lock) |
| 129 | 610118 | 0 | Cover, Spark plug |
| 130 | 650816 | 0 | Nut, Flywheel |
| 131 | 650815 | 0 | Washer, Belleville |
| 132C | 35000 | 0 | Hub, Starter |
| 165 | 34080 | 0 | Spacer, Flywheel key |
| 192A | 0 | 0 | Rivet, Pop (3/16" Dia.) |
| 199 | 650814 | 0 | Screw, Hex hd. Sems, 10-24 x 1 |
| 200 | 611046A | 0 | Flywheel |
| 201 | 34443A | 0 | Solid State Assy. |
| 201 | 730207 | 0 | Magneto-to-Solid State Conversion Kit |
| 221 | 35015A | 0 | Bracket Assy., S.E. Brake |
| 223 | 34966 | 0 | Link, Control |
| 224 | 34965 | 0 | Spring, Extension |
| 225 | 34968 | 0 | Lever, Brake |
| 226 | 32309 | 0 | Ring, Retainer |
| 227 | 650839 | 0 | Screw, Hex washer hd. Powerlok, 1/4-20 x 3/8 |
| 251 | 631021 | 0 | Inlet Needle, Seat & Clip Assy. |
| 255 | 632389 | 0 | Carburetor |
| 256B | 590420A | 0 | Starter, Rewind |
| 258 | 33238C | 0 | Gasket Set |



| Ref # | Part Number | Qty | Description |
|-------|-------------|-----|--|
| 1 | 35180 | 0 | Cylinder Assy. |
| 2 | 26727 | 0 | Pin, Dowel |
| 50 | 34215 | 0 | Breather Assy. |
| 51 | 30200 | 0 | Screw |
| 52 | 32760 | 0 | Gasket, Breather |
| 63 | 650506 | 0 | Screw |
| 64 | 631036 | 0 | Shutter, Throttle |
| 65 | 631530 | 0 | Shaft Assy., Throttle |
| 66 | 631066 | 0 | Spring, Return |
| 92A | 34961 | 0 | Wire, Ground (One female & one male fitting) |
| 115 | 610973 | 0 | Terminal Assy. |
| 165 | 34080 | 0 | Spacer, Flywheel key |
| 192A | 0 | 0 | Rivet, Pop (3/16" Dia.) |
| 198A | 35168 | 0 | Bracket Assy., Rope guide |
| 228 | 34985 | 0 | Rope Stop & Staple Assy. |



| Ref # | Part Number | Qty | Description |
|-------|-------------|-----|---|
| 97 | 28763 | 0 | Screw, Hex washer hd. thread-forming, 10-24 |
| 98 | 35178 | 0 | Housing, Blower |
| 99 | 650831 | 0 | Screw, Hex washer hd. Powerlok thread, |
| 100 | 30200 | 0 | Screw |
| 101A | 34369A | 0 | Tank Assy., Fuel (Charcoal Poly) (1-1/2 |
| 102 | 34118 | 0 | Cap, Fuel filler (Red Plastic) (Spurt |
| 102 | 35355 | 0 | Cap, Fuel filler (Red Plastic) |
| 102 | 410144B | 0 | Cap, Fuel filler (White Plastic) (Std.) |
| 130 | 650816 | 0 | Nut, Flywheel |
| 131 | 650815 | 0 | Washer, Belleville |
| 132B | 35354 | 0 | Screen, Starter (Stationary) |
| 250A | 34993 | 0 | Decal, Instruction |



| Ref # | Part Number | Qty | Description |
|-------|-------------|-----|--|
| 108 | 32410 | 0 | Knob, Speed control |
| 109A | 33205A | 0 | Control Assy., Speed |
| 110 | 33802 | 0 | Spring Compression |
| 111 | 650777 | 0 | Screw, Slotted fil. hd. mach., 6-32 x 7/16 |
| 112 | 650549 | 0 | Screw |
| 113 | 31342 | 0 | Spring, Compression |
| 114 | 30200 | 0 | Screw |
| 115 | 610973 | 0 | Terminal Assy. |
| 118 | 35176 | 0 | Cover, Speed control |
| 119 | 650807 | 0 | Screw, Hex washer hd. shoulder, 10-32 x 7/16 |
| 120A | 35172 | 0 | Muffler |
| 122 | 35171 | 0 | Plate, Lock |
| 235 | 35067 | 0 | Collar, Air cleaner |
| 236 | 35068 | 0 | Clamp, Hose |
| 237 | 35066 | 0 | Element, Air cleaner (Paper) |
| 238 | 35065 | 0 | Cover, Air cleaner |
| 239 | 35435 | 0 | Filter, Pre-Air (Poly) |