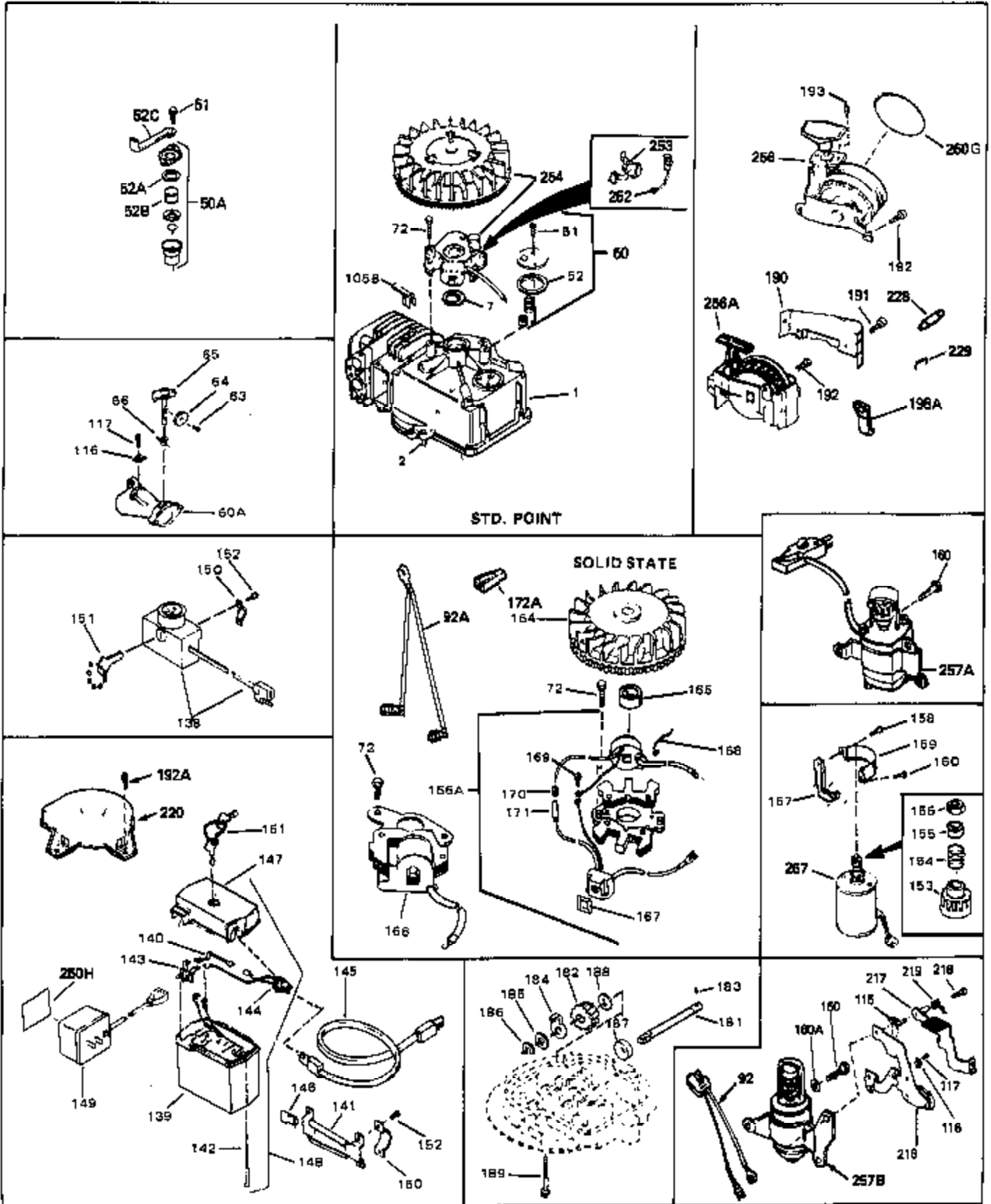




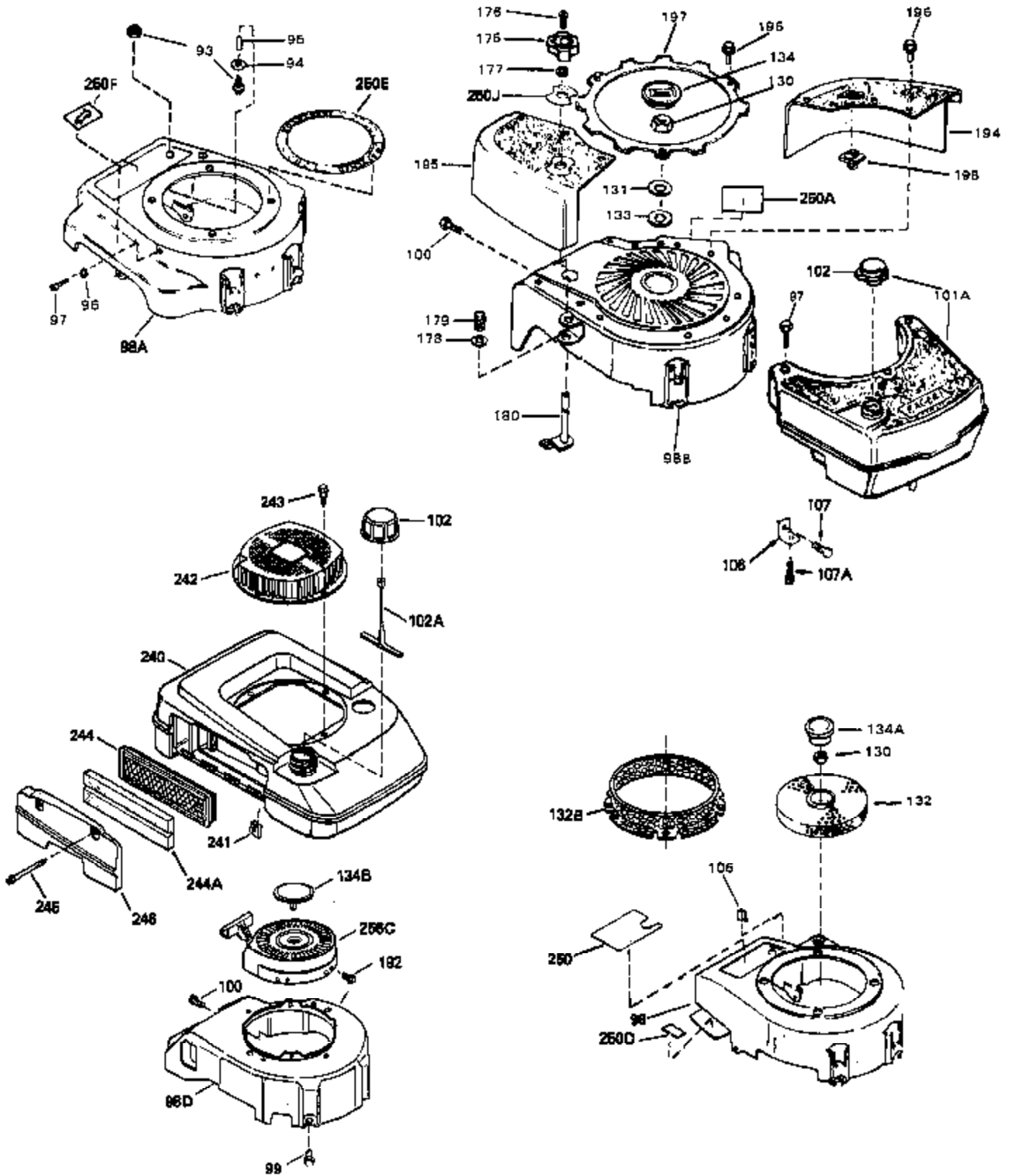
Engine Parts List #1

| Ref # | Part Number | Qty | Description |
|-------|-------------|-----|--|
| 1 | 34959 | 0 | Cylinder Assy. (2-5/8" Bore) |
| 2 | 26727 | 0 | Pin, Dowel |
| 4 | 32600 | 0 | Seal, Oil |
| 5 | 29313C | 0 | Valve, Exhaust (Standard) (Conventional) |
| 5 | 29315C | 0 | Valve, Exhaust (1/32" oversize) |
| 6 | 29314B | 0 | Valve, Intake (Standard) (Conventional) |
| 6 | 29315C | 0 | Valve, Exhaust (1/32" oversize) |
| 8 | 31671 | 0 | Cap, Upper valve spring |
| 9 | 31672 | 0 | Spring, Valve |
| 10 | 31673 | 0 | Cap, Lower valve spring |
| 11 | 34436 | 0 | Crankshaft Assy. |
| 12 | 29783 | 0 | Pin, Crankshaft gear |
| 13 | 27613 | 0 | Gear, Crankshaft |
| 14A | 32603B | 0 | Piston & Pin Assy. (Std.) (2-5/8") |
| 14A | 32604B | 0 | Piston & Pin Assy. (.010 oversize) |
| 14A | 32605B | 0 | Piston & Pin Assy. (.020 oversize) |
| 14 | 34851 | 0 | Piston, Pin & Ring Assy. (Std.) (2-5/8") |
| 14 | 34852 | 0 | Piston, Pin & Ring Assy. (.010 oversize) |
| 14 | 34853 | 0 | Piston, Pin & Ring Assy. (.020 oversize) |
| 15 | 34854 | 0 | Ring Set, Piston (Standard) (2-5/8") |
| 15 | 34855 | 0 | Ring Set, Piston (.010 oversize) |
| 15 | 34856 | 0 | Ring Set, Piston (.020 oversize) |
| 16 | 20381 | 0 | Ring, Piston pin retaining |
| 17 | 30963B | 0 | Rod Assy., Connecting |
| 18A | 32610A | 0 | Bolt, Connecting rod |
| 21A | 27241 | 0 | Lifter, Valve |
| 21 | 27241 | 0 | Lifter, Valve |
| 22 | 33553 | 0 | Camshaft (Mechanical Compression Release) |
| 23 | 29914 | 0 | Pump Assy., Oil |
| 24 | 35261 | 0 | Gasket, Mounting flange |
| 25 | 34831 | 0 | Flange Assy., Mounting |
| 26 | 26208 | 0 | Seal, Oil |
| 27 | 28833 | 0 | Gasket, Oil drain |
| 28 | 27244 | 0 | Plug, Oil drain |
| 30 | 650488 | 0 | Screw |
| 31 | 30590A | 0 | Washer, Flat |
| 32 | 30574 | 0 | Shaft, Mechanical governor |
| 33 | 30591 | 0 | Gear Assy., Governor |
| 34 | 29193 | 0 | Ring, Retaining |
| 35 | 30588A | 0 | Spool, Governor |
| 36 | 31335 | 0 | Clamp, Governor lever |
| 37 | 28277 | 0 | Washer, Flat |
| 38 | 650548 | 0 | Screw, Hex washer hd., 8-32 x 5/16 |
| 39 | 31383A | 0 | Lever, Governor |
| 40 | 31361 | 0 | Spring, Governor |
| 41 | 30589 | 0 | Rod, Governor |
| 43 | 611004 | 0 | Key, Flywheel (External Solid State -Gold) |
| 44A | 6021A | 0 | Screw, Hex flange hd., 5/16-18 x 1-1/2 |
| 44 | 650694A | 0 | Screw, Hex flange hd., 5/16-18 x 2 |
| 45 | 33636 | 0 | Plug, Spark (Champion J-8 or equivalent) |
| 45 | 34251 | 0 | Resistor Spark Plug |
| 46 | 32643 | 0 | Gasket, Cylinder head |
| 47 | 34335 | 0 | Head, Cylinder |
| 48 | 26073 | 0 | Washer, Connecting rod bolt |
| 50 | 34215 | 0 | Breather Assy. |
| 51 | 30200 | 0 | Screw |
| 52 | 32760 | 0 | Gasket, Breather |
| 53 | 34336 | 0 | Link, Governor-to-throttle |

| Ref # | Part Number | Qty | Description |
|-------|-------------|-----|---|
| 54 | 34337 | 0 | Link, Governor spring |
| 55 | 32755 | 0 | Cover, Valve spring box |
| 56 | 27234 | 0 | Gasket, Breather cover |
| 57 | 650128 | 0 | Screw |
| 59 | 34690 | 0 | Gasket, Intake |
| 60 | 31384A | 0 | Pipe, Intake |
| 61 | 6201 | 0 | Screw |
| 62 | 650451 | 0 | Screw |
| 67 | 26756 | 0 | Gasket, Carburetor |
| 71 | 29752 | 0 | Nut |
| 75 | 32972 | 0 | Cleaner, Air |
| 76 | 33168 | 0 | Clamp, Corbin |
| 99 | 650831 | 0 | Screw, Hex washer hd. Powerlok thread, |
| 100 | 30200 | 0 | Screw |
| 102 | 34118 | 0 | Cap, Fuel filler (Red Plastic) (Spurt |
| 102 | 410144B | 0 | Cap, Fuel filler (White Plastic) (Std.) |
| 103 | 29774 | 0 | Line, Fuel (Braided 8.25") |
| 103 | 30705 | 0 | Line, Fuel (Braided 16") |
| 103 | 34357 | 0 | Line, Fuel (Epichlorohydrin 6-3/4") |
| 104 | 26460 | 0 | Clamp, Fuel line |
| 105A | 30593 | 0 | Clip, Magneto wire |
| 115 | 610973 | 0 | Terminal Assy. |
| 121 | 792005 | 0 | Screw, Hex hd., 1/4-20 x 2-1/2 |
| 124 | 650562 | 0 | Screw |
| 125 | 34265 | 0 | Gasket, Oil fill tube |
| 125 | 34282 | 0 | "O" Ring (.612 I.D. x .812 O.D. x .103 |
| 126 | 34264 | 0 | Tube Assy., Oil fill (Plastic) |
| 127 | 33590 | 0 | "O" Ring |
| 128 | 34267 | 0 | Dipstick, Oil (Twist Lock) |
| 129 | 610118 | 0 | Cover, Spark plug |
| 130 | 650816 | 0 | Nut, Flywheel |
| 131 | 650815 | 0 | Washer, Belleville |
| 161 | 34353 | 0 | Primer Assy. |
| 162 | 32180C | 0 | Line, Primer |
| 165 | 34080 | 0 | Spacer, Flywheel key |
| 192A | 0 | 0 | Rivet, Pop (3/16" Dia.) |
| 199 | 650814 | 0 | Screw, Hex hd. Sems, 10-24 x 1 |
| 200 | 611046A | 0 | Flywheel |
| 201 | 34443A | 0 | Solid State Assy. |
| 201 | 730207 | 0 | Magneto-to-Solid State Conversion Kit |
| 251 | 631021 | 0 | Inlet Needle, Seat & Clip Assy. |
| 255 | 632086 | 0 | Carburetor |
| 258 | 33238C | 0 | Gasket Set |



| Ref # | Part Number | Qty | Description |
|-------|-------------|-----|---|
| 1 | 34959 | 0 | Cylinder Assy. (2-5/8" Bore) |
| 2 | 26727 | 0 | Pin, Dowel |
| 50 | 34215 | 0 | Breather Assy. |
| 51 | 30200 | 0 | Screw |
| 52 | 32760 | 0 | Gasket, Breather |
| 63 | 650506 | 0 | Screw |
| 64 | 631036 | 0 | Shutter, Throttle |
| 65 | 631530 | 0 | Shaft Assy., Throttle |
| 66 | 631066 | 0 | Spring, Return |
| 92A | 34231 | 0 | Wire, Ground (One female fitting & one |
| 115 | 610973 | 0 | Terminal Assy. |
| 165 | 34080 | 0 | Spacer, Flywheel key |
| 192A | 0 | 0 | Rivet, Pop (3/16" Dia.) |
| 192 | 650802 | 0 | Screw, Hex washer hd. taptite, 1/4-20 x 5/8 |
| 198A | 34372A | 0 | Bracket Assy., Rope guide |
| 256A | 590579 | 0 | Starter, Side mount rewind |



| Ref # | Part Number | Qty | Description |
|-------|-------------|-----|---|
| 98B | 34367 | 0 | Housing, Blower |
| 99 | 650831 | 0 | Screw, Hex washer hd. Powerlok thread, |
| 100 | 30200 | 0 | Screw |
| 101A | 34268 | 0 | Tank Assy., Fuel (Red Poly) (1-1/2 qts.) |
| 102 | 34118 | 0 | Cap, Fuel filler (Red Plastic) (Spurt |
| 102 | 410144B | 0 | Cap, Fuel filler (White Plastic) (Std.) |
| 130 | 650816 | 0 | Nut, Flywheel |
| 131 | 650815 | 0 | Washer, Belleville |
| 134 | 34113 | 0 | Plug, Screen |
| 175 | 34266 | 0 | Knob, Control |
| 176 | 650627 | 0 | Screw |
| 177 | 32309 | 0 | Ring, Retainer |
| 178 | 650626 | 0 | Washer, Flat |
| 179 | 32308 | 0 | Spring, Compression |
| 180 | 34074 | 0 | Lever, Carburetor control |
| 192 | 650802 | 0 | Screw, Hex washer hd. taptite, 1/4-20 x 5/8 |
| 194 | 34270 | 0 | Cover, Engine (Starter side) |
| 195 | 34269 | 0 | Cover, Engine (Carb. side) |
| 196 | 650803 | 0 | Screw, Hex washer hd. self-tap, 10-32 x 7/8 |
| 197 | 34272 | 0 | Ring, Grill |
| 198 | 34271 | 0 | Pulley Assy., Starter rope |
| 250 | 34442A | 0 | Decal, Instruction |
| 250J | 34273 | 0 | Decal, Control |



| Ref # | Part Number | Qty | Description |
|-------|-------------|-----|--|
| 109A | 34073A | 0 | Control Assy., Speed |
| 110 | 33802 | 0 | Spring Compression |
| 111 | 650777 | 0 | Screw, Slotted fil. hd. mach., 6-32 x 7/16 |
| 112 | 650549 | 0 | Screw |
| 113 | 31342 | 0 | Spring, Compression |
| 114 | 30200 | 0 | Screw |
| 115 | 610973 | 0 | Terminal Assy. |
| 120B | 33556 | 0 | Muffler |
| 122 | 33753 | 0 | Plate, Lock |
| 239 | 35435 | 0 | Filter, Pre-Air (Poly) |