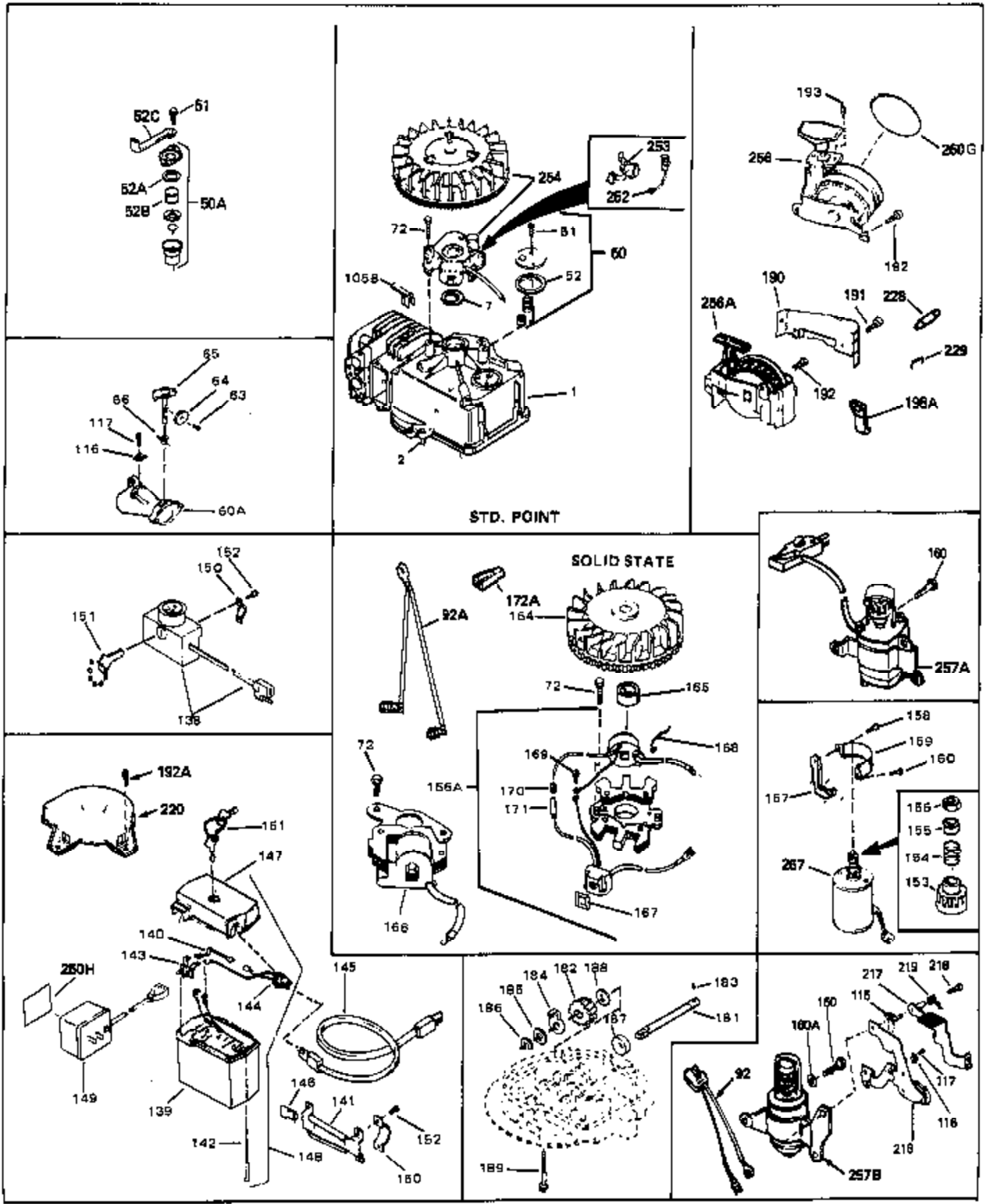


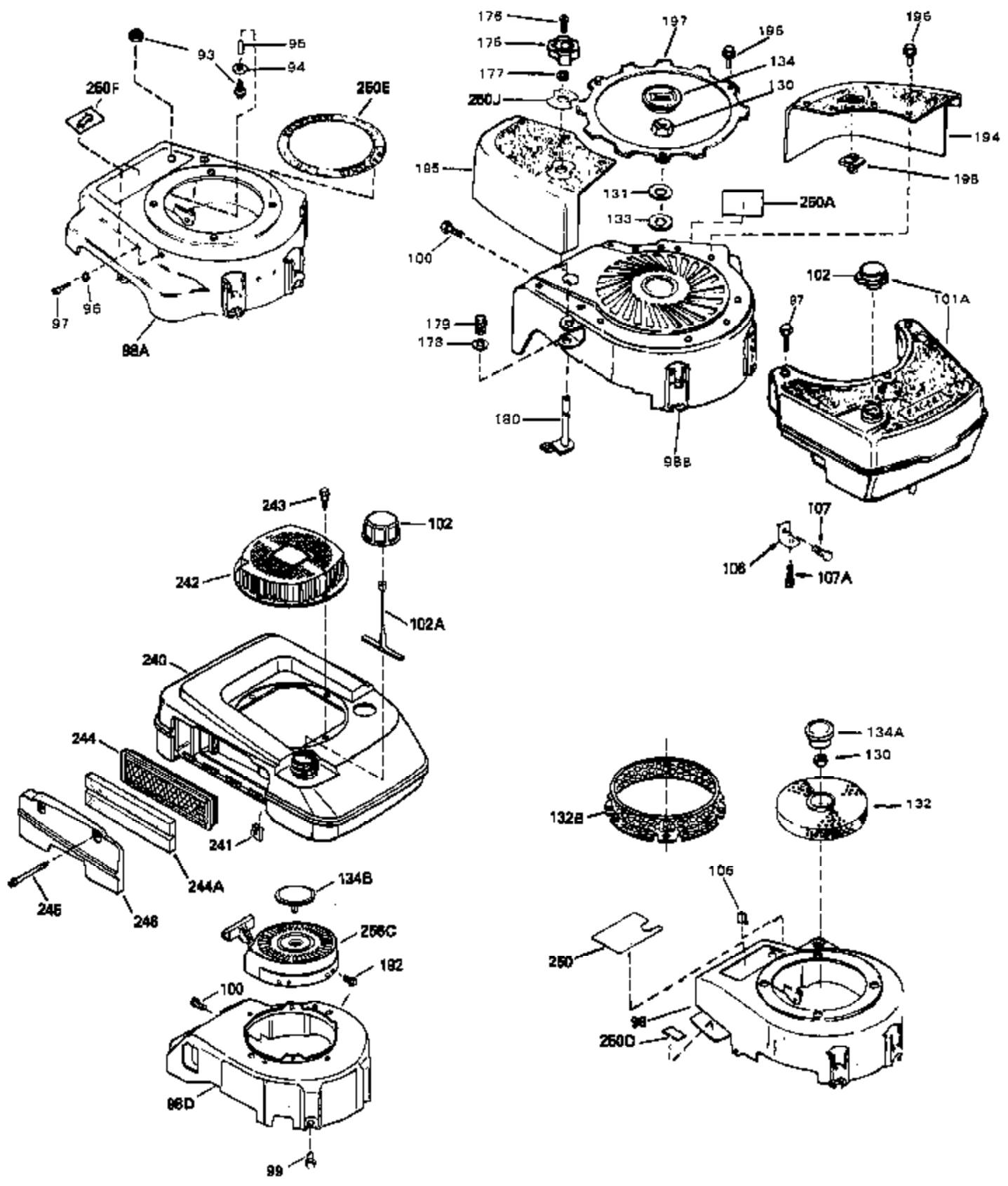
## Engine Parts List #1

| Ref # | Part Number | Qty | Description                              |
|-------|-------------|-----|--|
| 1     | 33405       | 0   | Cylinder Assy. (2-5/8" Bore)             |
| 2     | 26727       | 0   | Pin, Dowel                               |
| 4     | 29183       | 0   | Seal, Oil                                |
| 5     | 29313C      | 0   | Valve, Exhaust (Standard) (Conventional) |
| 5     | 29315C      | 0   | Valve, Exhaust (1/32" oversize)          |
| 6     | 29314B      | 0   | Valve, Intake (Standard) (Conventional)  |
| 6     | 29315C      | 0   | Valve, Exhaust (1/32" oversize)          |
| 8     | 31671       | 0   | Cap, Upper valve spring                  |
| 9     | 31672       | 0   | Spring, Valve                            |
| 10    | 31673       | 0   | Cap, Lower valve spring                  |
| 11    | 31742A      | 0   | Crankshaft Assy.                         |
| 12    | 29783       | 0   | Pin, Crankshaft gear                     |
| 13    | 27613       | 0   | Gear, Crankshaft                         |
| 14A   | 32603B      | 0   | Piston & Pin Assy. (Std.) (2-5/8")       |
| 14A   | 32604B      | 0   | Piston & Pin Assy. (.010 oversize)       |
| 14A   | 32605B      | 0   | Piston & Pin Assy. (.020 oversize)       |
| 14    | 34851       | 0   | Piston, Pin & Ring Assy. (Std.) (2-5/8") |
| 14    | 34852       | 0   | Piston, Pin & Ring Assy. (.010 oversize) |
| 14    | 34853       | 0   | Piston, Pin & Ring Assy. (.020 oversize) |
| 15    | 34854       | 0   | Ring Set, Piston (Standard) (2-5/8")     |
| 15    | 34855       | 0   | Ring Set, Piston (.010 oversize)         |
| 15    | 34856       | 0   | Ring Set, Piston (.020 oversize)         |
| 16    | 20381       | 0   | Ring, Piston pin retaining               |
| 17    | 30963B      | 0   | Rod Assy., Connecting                    |
| 18A   | 32610A      | 0   | Bolt, Connecting rod                     |
| 21    | 27241       | 0   | Lifter, Valve                            |
| 21A   | 27241       | 0   | Lifter, Valve                            |
| 22    | 33148A      | 0   | Camshaft (Compression Release)           |
| 23    | 29914       | 0   | Pump Assy., Oil                          |
| 24    | 32793       | 0   | Gasket, Mounting flange                  |
| 25    | 34218       | 0   | Flange Assy., Mounting                   |
| 26    | 26208       | 0   | Seal, Oil                                |
| 27    | 28833       | 0   | Gasket, Oil drain                        |
| 28    | 27244       | 0   | Plug, Oil drain                          |
| 30    | 650488      | 0   | Screw                                    |
| 31    | 30590A      | 0   | Washer, Flat                             |
| 32    | 30574       | 0   | Shaft, Mechanical governor               |
| 33    | 30591       | 0   | Gear Assy., Governor                     |
| 34    | 29193       | 0   | Ring, Retaining                          |
| 35    | 30588A      | 0   | Spool, Governor                          |
| 36    | 31335       | 0   | Clamp, Governor lever                    |
| 37    | 28277       | 0   | Washer, Flat                             |
| 38    | 650548      | 0   | Screw, Hex washer hd., 8-32 x 5/16       |
| 39    | 31383A      | 0   | Lever, Governor                          |
| 40    | 31361       | 0   | Spring, Governor                         |
| 41    | 30589       | 0   | Rod, Governor                            |
| 43    | 610961      | 0   | Key, Flywheel (Std. Pt. Ign.)            |
| 44    | 650694A     | 0   | Screw, Hex flange hd., 5/16-18 x 2       |
| 44A   | 6021A       | 0   | Screw, Hex flange hd., 5/16-18 x 1-1/2   |
| 45    | 33636       | 0   | Plug, Spark (Champion J-8 or equivalent) |
| 45    | 34251       | 0   | Resistor Spark Plug                      |
| 46    | 32643       | 0   | Gasket, Cylinder head                    |
| 47    | 30579A      | 0   | Head, Cylinder                           |
| 48    | 26073       | 0   | Washer, Connecting rod bolt              |
| 50    | 34215       | 0   | Breather Assy.                           |
| 51    | 30200       | 0   | Screw                                    |
| 52    | 32760       | 0   | Gasket, Breather                         |
| 53    | 34336       | 0   | Link, Governor-to-throttle               |

| Ref # | Part Number | Qty | Description                             |
|-------|-------------|-----|---|
| 54    | 34337       | 0   | Link, Governor spring                   |
| 55    | 32755       | 0   | Cover, Valve spring box                 |
| 56    | 27234       | 0   | Gasket, Breather cover                  |
| 57    | 650128      | 0   | Screw                                   |
| 59    | 32649       | 0   | Gasket, Intake                          |
| 60    | 31384A      | 0   | Pipe, Intake                            |
| 61    | 6201        | 0   | Screw                                   |
| 62    | 650451      | 0   | Screw                                   |
| 67    | 26756       | 0   | Gasket, Carburetor                      |
| 71    | 29752       | 0   | Nut                                     |
| 75    | 32972       | 0   | Cleaner, Air                            |
| 76    | 33168       | 0   | Clamp, Corbin                           |
| 99    | 650831      | 0   | Screw, Hex washer hd. Powerlok thread,  |
| 102   | 34118       | 0   | Cap, Fuel filler (Red Plastic) (Spurt   |
| 102   | 410144B     | 0   | Cap, Fuel filler (White Plastic) (Std.) |
| 103   | 29774       | 0   | Line, Fuel (Braided 8.25")              |
| 103   | 30705       | 0   | Line, Fuel (Braided 16")                |
| 103   | 34357       | 0   | Line, Fuel (Epichlorohydrin 6-3/4")     |
| 104   | 26460       | 0   | Clamp, Fuel line                        |
| 105A  | 30593       | 0   | Clip, Magneto wire                      |
| 115   | 610973      | 0   | Terminal Assy.                          |
| 121   | 792005      | 0   | Screw, Hex hd., 1/4-20 x 2-1/2          |
| 125   | 34282       | 0   | "O" Ring (.612 I.D. x .812 O.D. x .103  |
| 126   | 34207A      | 0   | Tube, Oil filler                        |
| 127   | 33590       | 0   | "O" Ring                                |
| 128   | 34267       | 0   | Dipstick, Oil (Twist Lock)              |
| 129   | 610118      | 0   | Cover, Spark plug                       |
| 130   | 650607      | 0   | Nut, Flywheel                           |
| 131   | 650815      | 0   | Washer, Belleville                      |
| 133   | 650791      | 0   | Washer, Belleville                      |
| 161   | 34353       | 0   | Primer Assy.                            |
| 162   | 32180C      | 0   | Line, Primer                            |
| 192A  | 0           | 0   | Rivet, Pop (3/16" Dia.)                 |
| 201   | 730207      | 0   | Magneto-to-Solid State Conversion Kit   |
| 251   | 631021      | 0   | Inlet Needle, Seat & Clip Assy.         |
| 255   | 632053      | 0   | Carburetor                              |
| 258   | 33238C      | 0   | Gasket Set                              |



| Ref # | Part Number | Qty | Description                                 |
|-------|-------------|-----|---|
| 1     | 33405       | 0   | Cylinder Assy. (2-5/8" Bore)                |
| 2     | 26727       | 0   | Pin, Dowel                                  |
| 7     | 33876       | 0   | Gasket, Stator                              |
| 50    | 34215       | 0   | Breather Assy.                              |
| 51    | 30200       | 0   | Screw                                       |
| 52    | 32760       | 0   | Gasket, Breather                            |
| 63    | 650506      | 0   | Screw                                       |
| 64    | 631036      | 0   | Shutter, Throttle                           |
| 65    | 631530      | 0   | Shaft Assy., Throttle                       |
| 66    | 631066      | 0   | Spring, Return                              |
| 72    | 650489      | 0   | Screw                                       |
| 92A   | 34231       | 0   | Wire, Ground (One female fitting & one      |
| 115   | 610973      | 0   | Terminal Assy.                              |
| 192A  | 0           | 0   | Rivet, Pop (3/16" Dia.)                     |
| 192   | 650737      | 0   | Screw, Hex washer hd. taptite, 1/4-20 x 1/2 |
| 252   | 30548B      | 0   | Condenser                                   |
| 253   | 30547A      | 0   | Contact Assy., Breaker                      |
| 254   | 610850A     | 0   | Magneto, Tecumseh (w/double ring gear)      |
| 256   | 590450A     | 0   | Starter, Side mount rewind                  |



| Ref # | Part Number | Qty | Description                                 |
|-------|-------------|-----|---|
| 97    | 28763       | 0   | Screw, Hex washer hd. thread-forming, 10-24 |
| 98B   | 34356       | 0   | Housing, Blower                             |
| 99    | 650831      | 0   | Screw, Hex washer hd. Powerlok thread,      |
| 101A  | 33082A      | 0   | Tank Assy., Fuel (Charcoal Poly) (1.5 qt.)  |
| 102   | 34118       | 0   | Cap, Fuel filler (Red Plastic) (Spurt       |
| 102   | 410144B     | 0   | Cap, Fuel filler (White Plastic) (Std.)     |
| 105   | 27275       | 0   | Clip, Hi-tension wire                       |
| 130   | 650607      | 0   | Nut, Flywheel                               |
| 131   | 650815      | 0   | Washer, Belleville                          |
| 133   | 650791      | 0   | Washer, Belleville                          |
| 134   | 34113       | 0   | Plug, Screen                                |
| 192   | 650737      | 0   | Screw, Hex washer hd. taptite, 1/4-20 x 1/2 |
| 250   | 34442A      | 0   | Decal, Instruction                          |
| 250F  | 34408       | 0   | Decal, Instruction (Stop)                   |





| Ref # | Part Number | Qty | Description                                |
|-------|-------------|-----|--|
| 108A  | 33971       | 0   | Knob, Control                              |
| 109   | 33970A      | 0   | Control Assy., Speed                       |
| 110   | 33802       | 0   | Spring Compression                         |
| 111   | 650777      | 0   | Screw, Slotted fil. hd. mach., 6-32 x 7/16 |
| 112   | 650549      | 0   | Screw                                      |
| 113   | 31342       | 0   | Spring, Compression                        |
| 114   | 30200       | 0   | Screw                                      |
| 115   | 610973      | 0   | Terminal Assy.                             |
| 120B  | 33556       | 0   | Muffler                                    |
| 122   | 33753       | 0   | Plate, Lock                                |
| 239   | 35435       | 0   | Filter, Pre-Air (Poly)                     |
| 252   | 30548B      | 0   | Condenser                                  |
| 253   | 30547A      | 0   | Contact Assy., Breaker                     |