

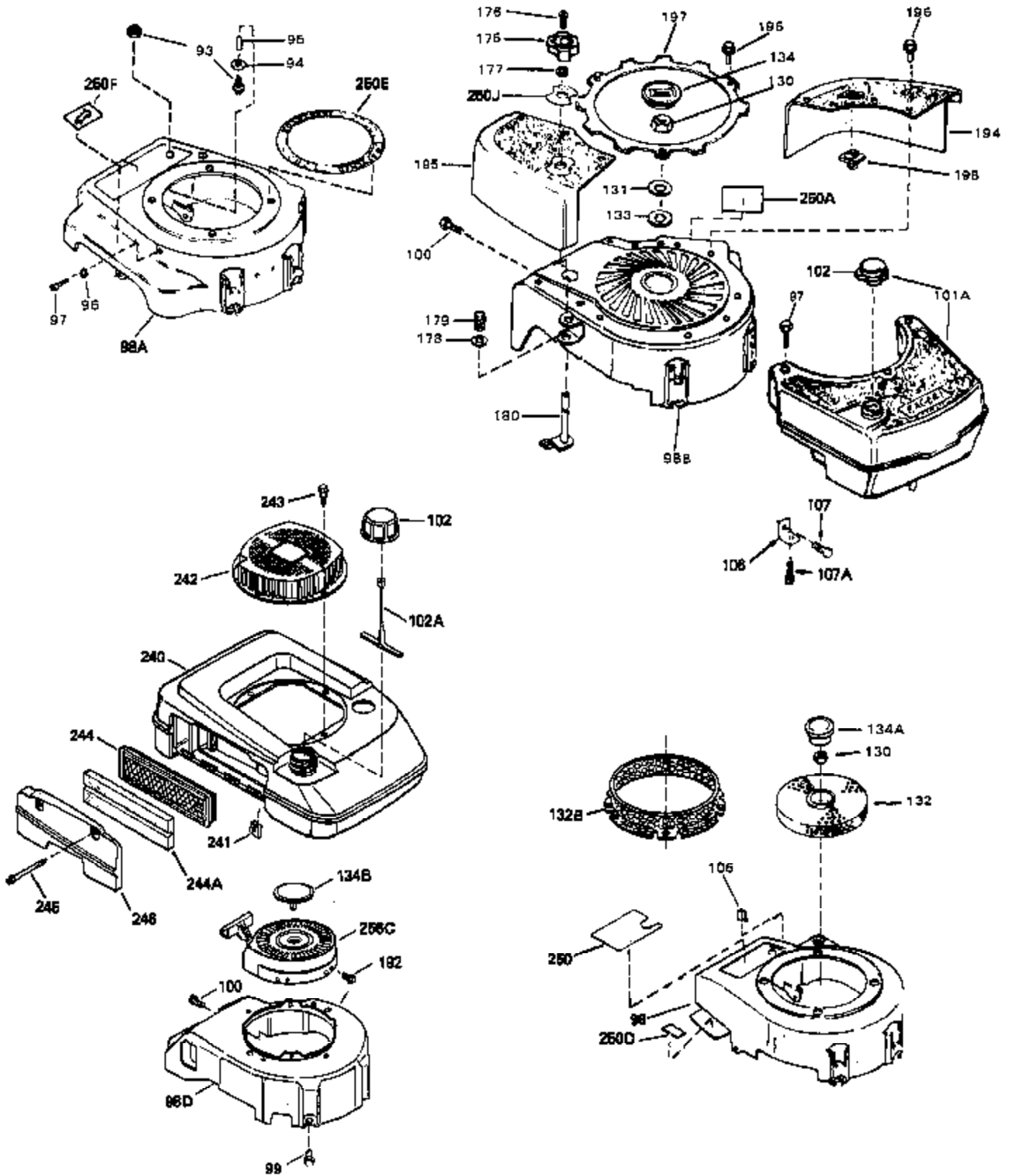
Engine Parts List #1

| Ref # | Part Number | Qty | Description |
|-------|-------------|-----|--|
| 1 | 33404A | 0 | Cylinder Assy. (2-5/8" Bore) |
| 2 | 26727 | 0 | Pin, Dowel |
| 4 | 29183 | 0 | Seal, Oil |
| 5 | 29313C | 0 | Valve, Exhaust (Standard) (Conventional) |
| 5 | 29315C | 0 | Valve, Exhaust (1/32" oversize) |
| 6 | 29314B | 0 | Valve, Intake (Standard) (Conventional) |
| 6 | 29315C | 0 | Valve, Exhaust (1/32" oversize) |
| 8 | 31671 | 0 | Cap, Upper valve spring |
| 9 | 31672 | 0 | Spring, Valve |
| 10 | 31673 | 0 | Cap, Lower valve spring |
| 11 | 33298 | 0 | Crankshaft Assy. |
| 12 | 29783 | 0 | Pin, Crankshaft gear |
| 13 | 27613 | 0 | Gear, Crankshaft |
| 14A | 32603B | 0 | Piston & Pin Assy. (Std.) (2-5/8") |
| 14A | 32604B | 0 | Piston & Pin Assy. (.010 oversize) |
| 14A | 32605B | 0 | Piston & Pin Assy. (.020 oversize) |
| 14 | 34851 | 0 | Piston, Pin & Ring Assy. (Std.) (2-5/8") |
| 14 | 34852 | 0 | Piston, Pin & Ring Assy. (.010 oversize) |
| 14 | 34853 | 0 | Piston, Pin & Ring Assy. (.020 oversize) |
| 15 | 34854 | 0 | Ring Set, Piston (Standard) (2-5/8") |
| 15 | 34855 | 0 | Ring Set, Piston (.010 oversize) |
| 15 | 34856 | 0 | Ring Set, Piston (.020 oversize) |
| 16 | 20381 | 0 | Ring, Piston pin retaining |
| 17 | 30963B | 0 | Rod Assy., Connecting |
| 18B | 26706 | 0 | Bolt, Connecting rod |
| 19 | 20747 | 0 | Washer, Connecting rod bolt |
| 20 | 27573 | 0 | Nut, Connecting rod bolt |
| 21A | 27241 | 0 | Lifter, Valve |
| 21 | 27241 | 0 | Lifter, Valve |
| 22 | 33148A | 0 | Camshaft (Compression Release) |
| 23 | 29914 | 0 | Pump Assy., Oil |
| 24 | 35261 | 0 | Gasket, Mounting flange |
| 25 | 30764B | 0 | Flange Assy., Mounting |
| 26 | 26208 | 0 | Seal, Oil |
| 27 | 28833 | 0 | Gasket, Oil drain |
| 28 | 27244 | 0 | Plug, Oil drain |
| 30 | 650488 | 0 | Screw |
| 31 | 30590A | 0 | Washer, Flat |
| 32 | 30574 | 0 | Shaft, Mechanical governor |
| 33 | 30591 | 0 | Gear Assy., Governor |
| 34 | 29193 | 0 | Ring, Retaining |
| 35 | 30588A | 0 | Spool, Governor |
| 36 | 31335 | 0 | Clamp, Governor lever |
| 37 | 28277 | 0 | Washer, Flat |
| 38 | 650548 | 0 | Screw, Hex washer hd., 8-32 x 5/16 |
| 39 | 31383A | 0 | Lever, Governor |
| 40 | 31386 | 0 | Spring, Governor |
| 41 | 30589 | 0 | Rod, Governor |
| 43 | 610961 | 0 | Key, Flywheel (Std. Pt. Ign.) |
| 44A | 6021A | 0 | Screw, Hex flange hd., 5/16-18 x 1-1/2 |
| 44 | 650694A | 0 | Screw, Hex flange hd., 5/16-18 x 2 |
| 45 | 33636 | 0 | Plug, Spark (Champion J-8 or equivalent) |
| 45 | 34251 | 0 | Resistor Spark Plug |
| 46 | 32643 | 0 | Gasket, Cylinder head |
| 47 | 30579A | 0 | Head, Cylinder |
| 48 | 26073 | 0 | Washer, Connecting rod bolt |
| 50 | 34215 | 0 | Breather Assy. |
| 51 | 30200 | 0 | Screw |

| Ref # | Part Number | Qty | Description |
|-------|-------------|-----|---|
| 52 | 32760 | 0 | Gasket, Breather |
| 54 | 32653 | 0 | Link, Governor spring |
| 55 | 32755 | 0 | Cover, Valve spring box |
| 56 | 27234 | 0 | Gasket, Breather cover |
| 57 | 650128 | 0 | Screw |
| 59 | 32649 | 0 | Gasket, Intake |
| 60 | 31384A | 0 | Pipe, Intake |
| 61 | 6201 | 0 | Screw |
| 62 | 650451 | 0 | Screw |
| 67 | 26756 | 0 | Gasket, Carburetor |
| 71 | 29752 | 0 | Nut |
| 73 | 32971 | 0 | Adapter, Air cleaner |
| 74 | 650709 | 0 | Screw |
| 75 | 32972 | 0 | Cleaner, Air |
| 76 | 33168 | 0 | Clamp, Corbin |
| 99 | 650831 | 0 | Screw, Hex washer hd. Powerlok thread, |
| 102 | 34118 | 0 | Cap, Fuel filler (Red Plastic) (Spurt |
| 102 | 410144B | 0 | Cap, Fuel filler (White Plastic) (Std.) |
| 103 | 29774 | 0 | Line, Fuel (Braided 8.25") |
| 103 | 30705 | 0 | Line, Fuel (Braided 16") |
| 103 | 34357 | 0 | Line, Fuel (Epichlorohydrin 6-3/4") |
| 103A | 31400 | 0 | Line, Fuel (3-3/8" Metal) |
| 104 | 26460 | 0 | Clamp, Fuel line |
| 105A | 30593 | 0 | Clip, Magneto wire |
| 115 | 610973 | 0 | Terminal Assy. |
| 121 | 650795 | 0 | Screw, Hex hd. cap, Sems, 1/4-20 x 2-5/16 |
| 125 | 34282 | 0 | "O" Ring (.612 I.D. x .812 O.D. x .103 |
| 126 | 34207A | 0 | Tube, Oil filler |
| 127 | 33590 | 0 | "O" Ring |
| 128 | 34267 | 0 | Dipstick, Oil (Twist Lock) |
| 129 | 610118 | 0 | Cover, Spark plug |
| 130 | 650607 | 0 | Nut, Flywheel |
| 131 | 650815 | 0 | Washer, Belleville |
| 133 | 650791 | 0 | Washer, Belleville |
| 192A | 0 | 0 | Rivet, Pop (3/16" Dia.) |
| 201 | 730207 | 0 | Magneto-to-Solid State Conversion Kit |
| 251 | 631021 | 0 | Inlet Needle, Seat & Clip Assy. |
| 255 | 631597 | 0 | Carburetor |
| 258 | 33238C | 0 | Gasket Set |



| Ref # | Part Number | Qty | Description |
|-------|-------------|-----|---|
| 1 | 33404A | 0 | Cylinder Assy. (2-5/8" Bore) |
| 2 | 26727 | 0 | Pin, Dowel |
| 7 | 33876 | 0 | Gasket, Stator |
| 50 | 34215 | 0 | Breather Assy. |
| 51 | 30200 | 0 | Screw |
| 52 | 32760 | 0 | Gasket, Breather |
| 63 | 650506 | 0 | Screw |
| 64 | 631036 | 0 | Shutter, Throttle |
| 65 | 631530 | 0 | Shaft Assy., Throttle |
| 66 | 631066 | 0 | Spring, Return |
| 72 | 650489 | 0 | Screw |
| 92A | 34231 | 0 | Wire, Ground (One female fitting & one |
| 115 | 610973 | 0 | Terminal Assy. |
| 190 | 34239 | 0 | Guard, Starter |
| 191 | 34309 | 0 | Stud |
| 192A | 0 | 0 | Rivet, Pop (3/16" Dia.) |
| 192 | 650802 | 0 | Screw, Hex washer hd. taptite, 1/4-20 x 5/8 |
| 252 | 30548B | 0 | Condenser |
| 253 | 30547A | 0 | Contact Assy., Breaker |
| 254 | 610793A | 0 | Magneto, Tecumseh (w/ring gear) |
| 256A | 590531 | 0 | Starter, Side mount rewind |



| Ref # | Part Number | Qty | Description |
|-------|-------------|-----|---|
| 97 | 28763 | 0 | Screw, Hex washer hd. thread-forming, 10-24 |
| 98B | 33558A | 0 | Housing, Blower |
| 99 | 650831 | 0 | Screw, Hex washer hd. Powerlok thread, |
| 101A | 33082A | 0 | Tank Assy., Fuel (Charcoal Poly) (1.5 qt.) |
| 102 | 34118 | 0 | Cap, Fuel filler (Red Plastic) (Spurt |
| 102 | 410144B | 0 | Cap, Fuel filler (White Plastic) (Std.) |
| 105 | 27275 | 0 | Clip, Hi-tension wire |
| 130 | 650607 | 0 | Nut, Flywheel |
| 131 | 650815 | 0 | Washer, Belleville |
| 133 | 650791 | 0 | Washer, Belleville |
| 134 | 34113 | 0 | Plug, Screen |
| 192 | 650802 | 0 | Screw, Hex washer hd. taptite, 1/4-20 x 5/8 |
| 250 | 34274 | 0 | Decal, Instruction |
| 250D | 35344 | 0 | Decal, Control |



| Ref # | Part Number | Qty | Description |
|-------|-------------|-----|------------------------|
| 53A | 33133 | 0 | Link, Throttle |
| 77 | 27272 | 0 | Gasket, Air cleaner |
| 108 | 32410 | 0 | Knob, Speed control |
| 109A | 32264A | 0 | Control Assy., Speed |
| 112 | 650549 | 0 | Screw |
| 113 | 31342 | 0 | Spring, Compression |
| 114 | 30200 | 0 | Screw |
| 115 | 610973 | 0 | Terminal Assy. |
| 120A | 27181B | 0 | Muffler |
| 239 | 35435 | 0 | Filter, Pre-Air (Poly) |
| 252 | 30548B | 0 | Condenser |
| 253 | 30547A | 0 | Contact Assy., Breaker |