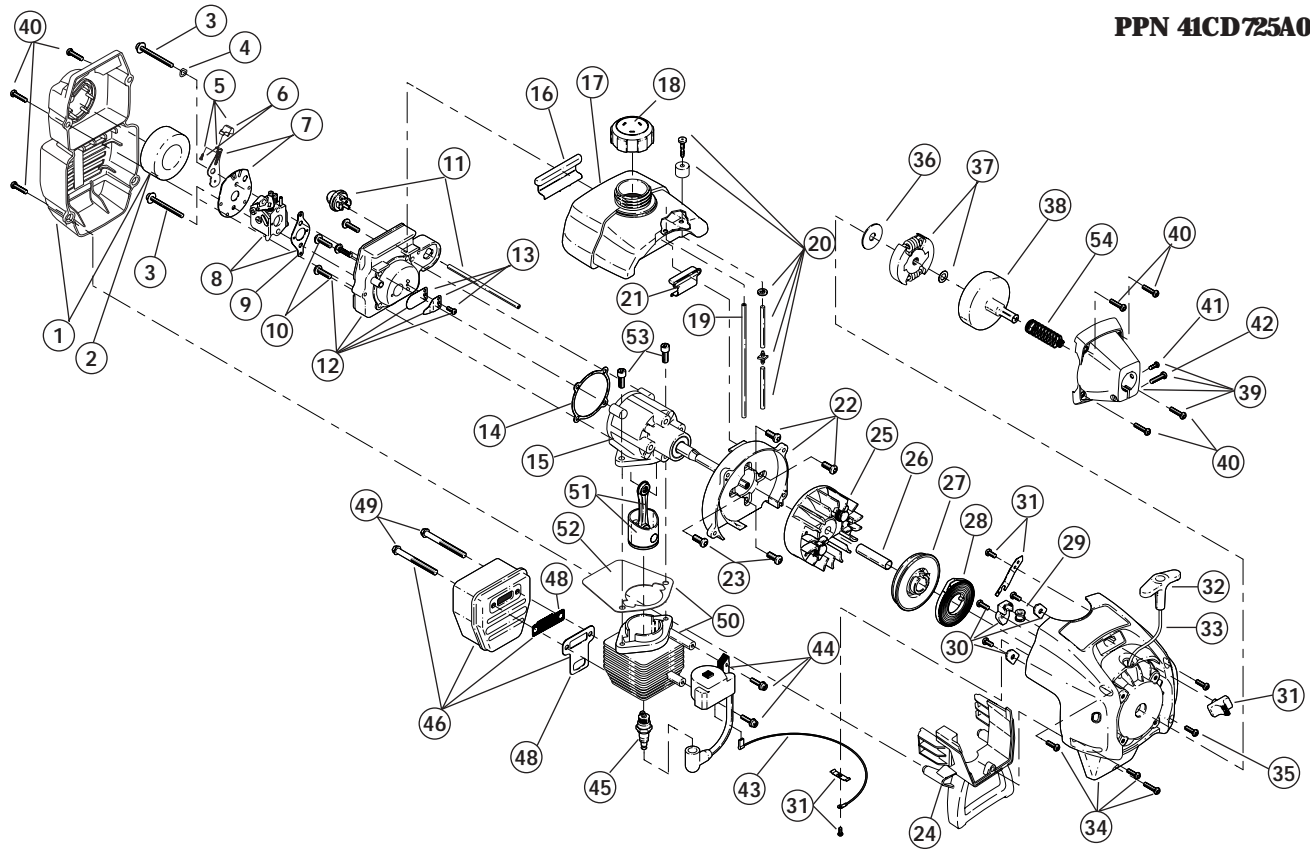


ENGINE PARTS - MODEL 725r

2-CYCLE GAS TRIMMER

PPN 41CD725A034

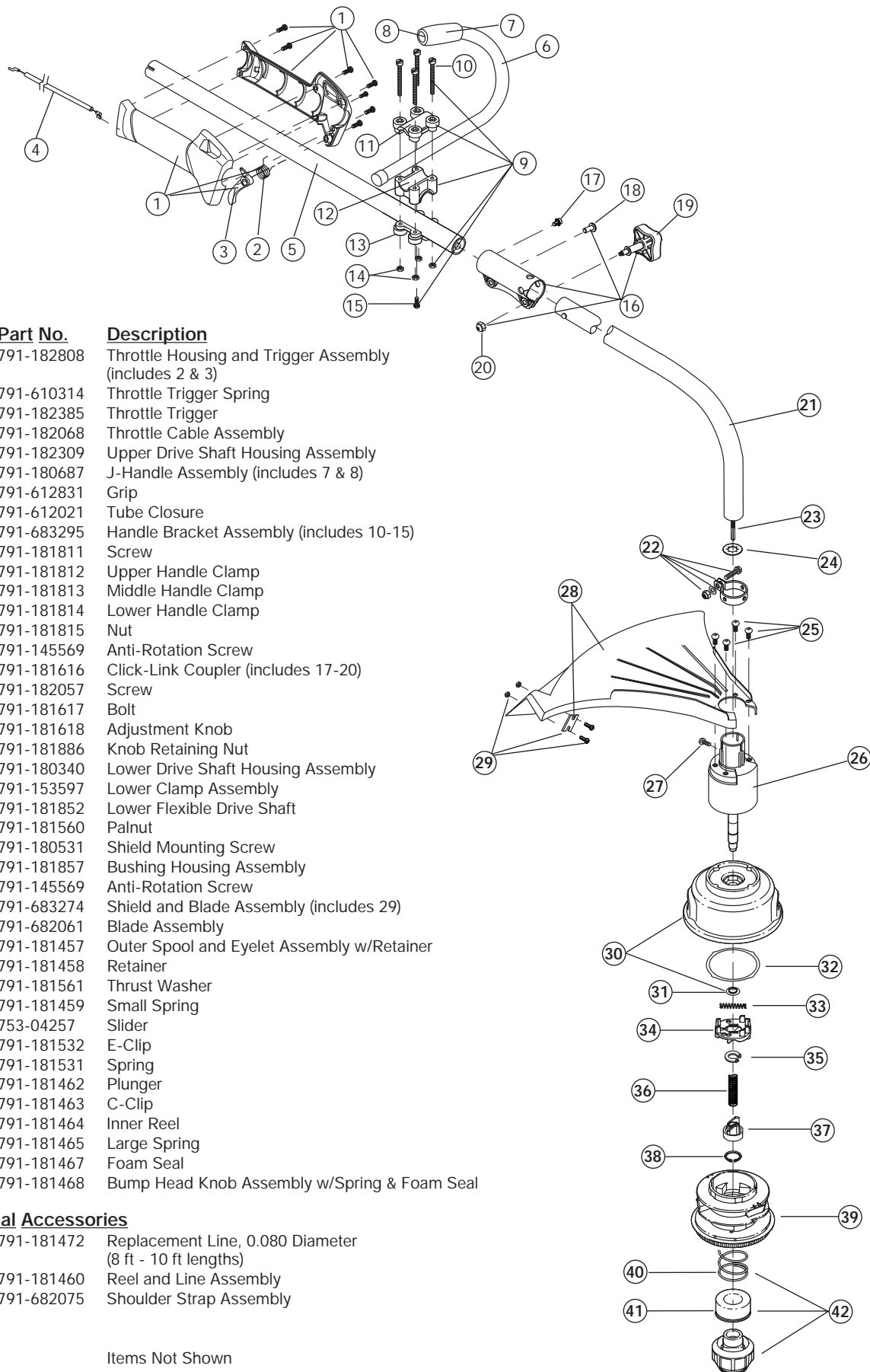


| Item | Part No. | Description | Item | Part No. | Description |
|------|------------|------------------------------------------------------|------|------------|-------------------------------------------------------|
| 1 | 791-182059 | Air Cleaner/Muffler Cover Assembly (includes 2 & 40) | 33 | 791-613103 | Rope |
| 2 | 791-180350 | Air Cleaner Filter | 34 | 791-181443 | Starter Housing Assembly (includes 27-33 & 35) |
| 3 | 791-180351 | Carburetor Mounting Screw Assembly | 35 | 791-181862 | Housing Screw |
| 4 | 791-180226 | Wavey Washer | 36 | 791-182368 | Clutch Washer |
| 5 | 791-182061 | Choke Lever Assembly (includes 6) | 37 | 791-181445 | Clutch Rotor Assembly |
| 6 | 791-182070 | Choke Knob and Screw | 38 | 791-153592 | Clutch Drum Assembly |
| 7 | 791-182060 | Choke Lever and Plate (includes 5) | 39 | 791-182797 | Clutch Cover Assembly (includes 40-42) |
| 8 | 753-04255 | Carburetor Assembly (includes 9) | 40 | 791-181345 | Cover Screw |
| 9 | 791-610675 | Carburetor Gasket | 41 | 791-182519 | Anti-Rotation Screw |
| 10 | 791-181860 | Carb Mount Screw | 42 | 791-181345 | Clamping Screw |
| 11 | 791-181558 | Primer and Hose Assembly | 43 | 791-180036 | Wire Lead |
| 12 | 753-1196 | Carb Mount Assembly (includes 10 & 13) | 44 | 753-04125 | Module Assembly |
| 13 | 791-684451 | Reed Assembly | 45 | 791-610311 | Spark Plug |
| 14 | 753-1208 | Carburetor Mount Gasket | 46 | 791-182066 | Muffler Assembly (includes 47-49) |
| 15 | 791-182791 | Crank Case Service Assembly (includes 10 & 23) | 47 | 791-182747 | Spark Arrestor Screen |
| 16 | 791-612134 | Rear Mounting Pad | 48 | 753-04159 | Exhaust Gasket |
| 17 | 791-181438 | Fuel Tank Assembly (includes 18-20) | 49 | 791-147575 | Muffler Mounting Bolt Assembly |
| 18 | 791-182438 | Fuel Cap Assembly | 50 | 753-1206 | Cylinder Assembly (includes 52) |
| 19 | 791-181168 | Fuel Return Line | 51 | 753-1207 | Piston and Rod Assembly |
| 20 | 791-682039 | Fuel Line Assembly | 52 | 753-1197 | Cylinder Gasket |
| 21 | 791-145308 | Front Mounting Pad | 53 | 791-182723 | Cylinder Bolt |
| 22 | 791-153520 | Shroud Assembly | 54 | 791-612468 | Spring |
| 23 | 791-181861 | Shroud Screw | * | 753-04134 | Engine Gasket Kit |
| 24 | 791-182064 | Shroud Extension and Stand | * | 791-180090 | O.E.M. Carburetor Repair Kit (Zama) |
| 25 | 791-182736 | Flywheel Assembly | * | 791-180091 | Gasket Diaphragm Repair Kit (Zama) |
| 26 | 791-181065 | Spacer | * | 753-1209 | Piston Ring |
| 27 | 753-04232 | Recoil Pulley Assembly | * | 753-1210 | Short Block Assembly (includes 10, 15, 23, 45, 50-53) |
| 28 | 791-613102 | Recoil Spring | * | 791-181599 | Clutch Springs (Qty. 2) |
| 29 | 791-611061 | Rope Guide | * | | Items Not Shown |
| 30 | 791-181441 | Pulley Retainer Assembly | | | |
| 31 | 791-181442 | Switch Assembly (includes 43) | | | |
| 32 | 791-181079 | Pull Handle | | | |

BOOM AND TRIMMER PARTS - MODEL 725r

2-CYCLE GAS TRIMMER

PPN 41CD725A034



| Item | Part No. | Description |
|------|------------|--------------------------------------------------------|
| 1 | 791-182808 | Throttle Housing and Trigger Assembly (includes 2 & 3) |
| 2 | 791-610314 | Throttle Trigger Spring |
| 3 | 791-182385 | Throttle Trigger |
| 4 | 791-182068 | Throttle Cable Assembly |
| 5 | 791-182309 | Upper Drive Shaft Housing Assembly |
| 6 | 791-180687 | J-Handle Assembly (includes 7 & 8) |
| 7 | 791-612831 | Grip |
| 8 | 791-612021 | Tube Closure |
| 9 | 791-683295 | Handle Bracket Assembly (includes 10-15) |
| 10 | 791-181811 | Screw |
| 11 | 791-181812 | Upper Handle Clamp |
| 12 | 791-181813 | Middle Handle Clamp |
| 13 | 791-181814 | Lower Handle Clamp |
| 14 | 791-181815 | Nut |
| 15 | 791-145569 | Anti-Rotation Screw |
| 16 | 791-181616 | Click-Link Coupler (includes 17-20) |
| 17 | 791-182057 | Screw |
| 18 | 791-181617 | Bolt |
| 19 | 791-181618 | Adjustment Knob |
| 20 | 791-181886 | Knob Retaining Nut |
| 21 | 791-180340 | Lower Drive Shaft Housing Assembly |
| 22 | 791-153597 | Lower Clamp Assembly |
| 23 | 791-181852 | Lower Flexible Drive Shaft |
| 24 | 791-181560 | Palnut |
| 25 | 791-180531 | Shield Mounting Screw |
| 26 | 791-181857 | Bushing Housing Assembly |
| 27 | 791-145569 | Anti-Rotation Screw |
| 28 | 791-683274 | Shield and Blade Assembly (includes 29) |
| 29 | 791-682061 | Blade Assembly |
| 30 | 791-181457 | Outer Spool and Eyelet Assembly w/Retainer |
| 31 | 791-181458 | Retainer |
| 32 | 791-181561 | Thrust Washer |
| 33 | 791-181459 | Small Spring |
| 34 | 753-04257 | Slider |
| 35 | 791-181532 | E-Clip |
| 36 | 791-181531 | Spring |
| 37 | 791-181462 | Plunger |
| 38 | 791-181463 | C-Clip |
| 39 | 791-181464 | Inner Reel |
| 40 | 791-181465 | Large Spring |
| 41 | 791-181467 | Foam Seal |
| 42 | 791-181468 | Bump Head Knob Assembly w/Spring & Foam Seal |

Optional Accessories

- * 791-181472 Replacement Line, 0.080 Diameter (8 ft - 10 ft lengths)
- * 791-181460 Reel and Line Assembly
- * 791-682075 Shoulder Strap Assembly

* Items Not Shown