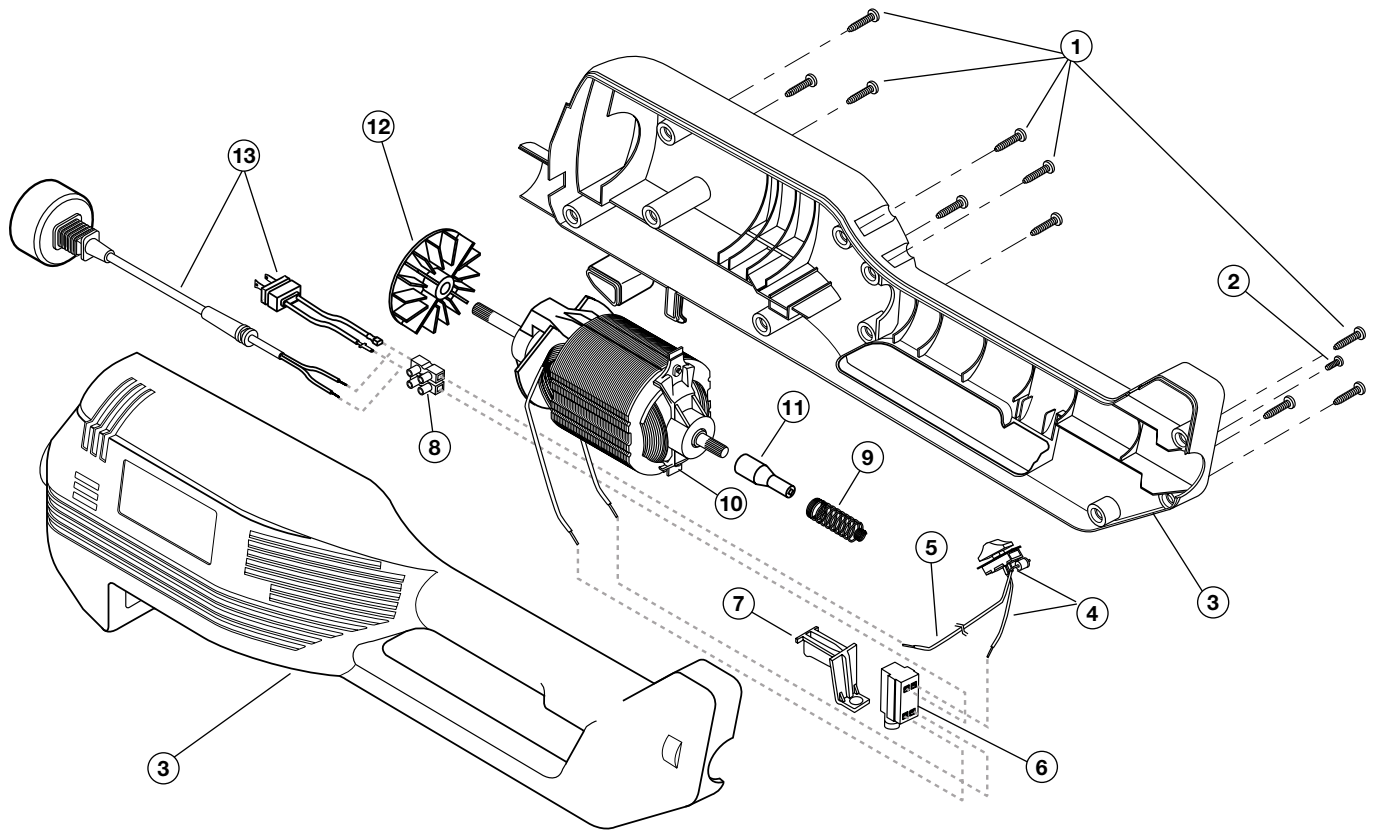


**MOTOR AND HOUSING PARTS—MODEL 137r**  
**120 VOLT ELECTRIC TRIMMER**

(Serial Number 512000001 – 611000000)  
 (Serial Number 611000001 and greater)



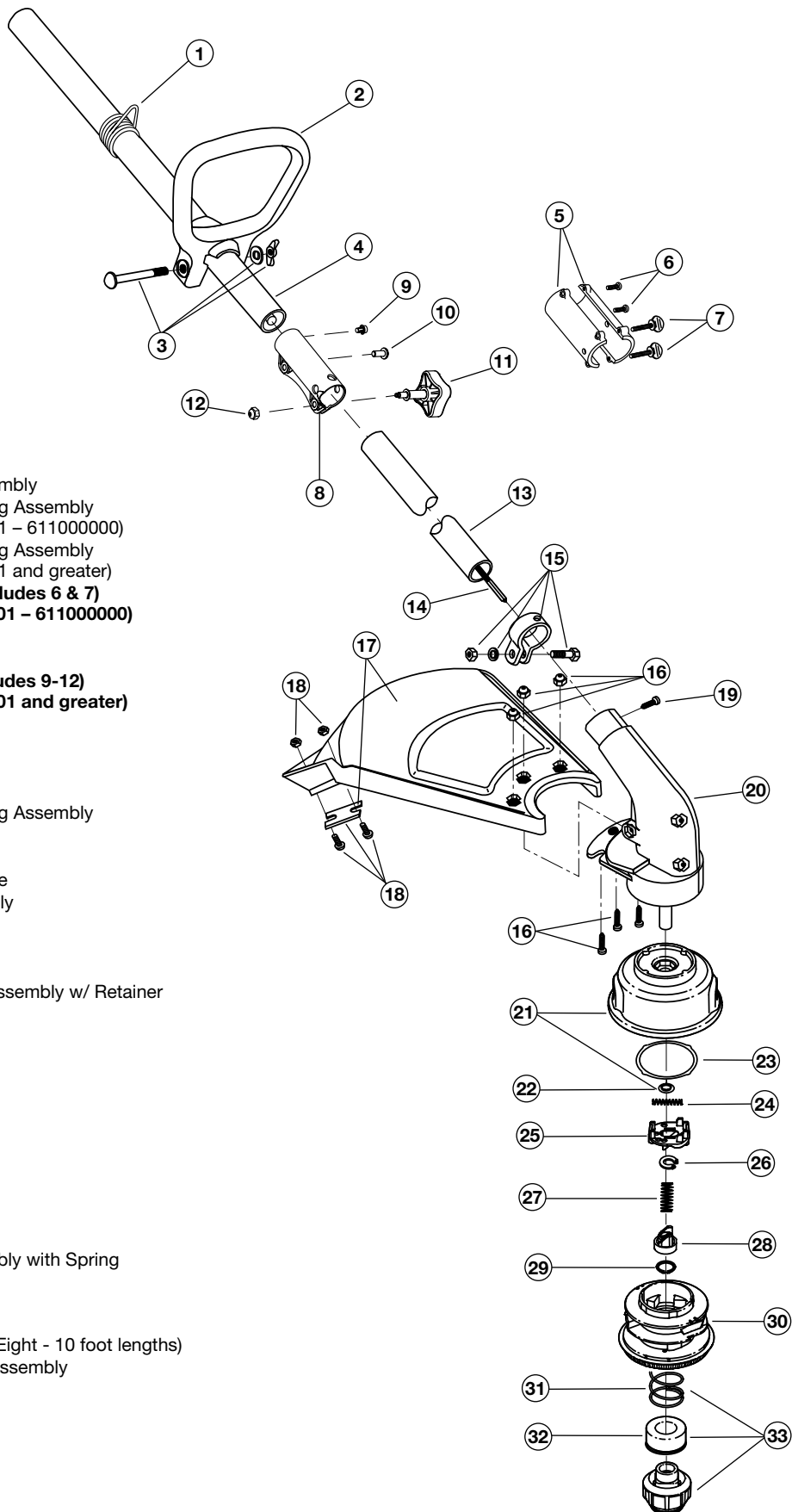
<u>Item</u>	<u>Part No.</u>	<u>Description</u>
1	180300	Screw, Housing Set (Qty. 11)
2	145569	Anti-Rotation Screw
3	180301	Motor Housing Assembly (Serial Number 512000001 – 611000000)
3	181928	Motor Housing Assembly (Serial Number 611000001 and greater)
4	180302	Two-Speed Switch Assembly
5	180559	Lead Wires
6	180150	Switch
7	180151	Trigger
8	180305	Terminal Block
9	612468	Spring
10	180154	Motor Assembly (includes 11 & 12)
11	180152	Driver
12	180155	Cooling Fan
13	180156	Power Cord Assembly (Serial Number 512000001 – 611000000)
13	181645	Recessed Plug Assembly (Serial Number 611000001 and greater)

**BOOM AND TRIMMER PARTS - MODEL 137r**

**120 VOLT ELECTRIC TRIMMER**

(Serial Number 512000001 – 611000000)

(Serial Number 611000001 and greater)



Item	Part No.	Description
1	610327	Shoulder Harness Clamp
2	145819	D-Handle
3	181587	D-Handle Hardware Assembly
4	180339	Upper Drive Shaft Housing Assembly (Serial Number 512000001 – 611000000)
4	181929	Upper Drive Shaft Housing Assembly (Serial Number 611000001 and greater)
5	<b>683605</b>	<b>Split-Boom Coupler (includes 6 &amp; 7)</b> (Serial Number 512000001 – 611000000)
6	683606	Coupling Bolt Assembly
7	683607	Adjustment Knob Set
8	<b>181616</b>	<b>Click-Link Coupler (includes 9-12)</b> (Serial Number 611000001 and greater)
9	182057	Screw
10	181617	Bolt
11	181618	Adjustment Knob
12	181886	Knob Retaining Nut
13	180689	Lower Drive Shaft Housing Assembly
14	181852	Flexible Drive Shaft
15	153597	Lower Clamp Assembly
16	180547	Guard Mounting Hardware
17	180548	Guard and Blade Assembly
18	180553	Blade Assembly
19	145569	Anti-Rotation Screw
20	181566	Gearbox (includes 21)
21	181457	Outer Spool and Eyelet Assembly w/ Retainer
22	181458	Retainer
23	181561	Thrust Washer
24	181459	Small Spring
25	181461	Slider
26	181532	E-Clip
27	181531	Spring
28	181462	Plunger
29	181463	C-Clip
30	181464	Inner Reel
31	181465	Large Spring
32	181467	Foam Seal
33	181468	Bump Head Knob Assembly with Spring and Foam Seal

**Optional Accessories**

- \* 181472 .080" Replacement Line (Eight - 10 foot lengths)
- \* 181470 Complete Cutting Head Assembly  
(includes 15, 19-33)
- \* 181460 Reel and Line Assembly
- \* 682075 Shoulder Strap Harness
- \* not shown