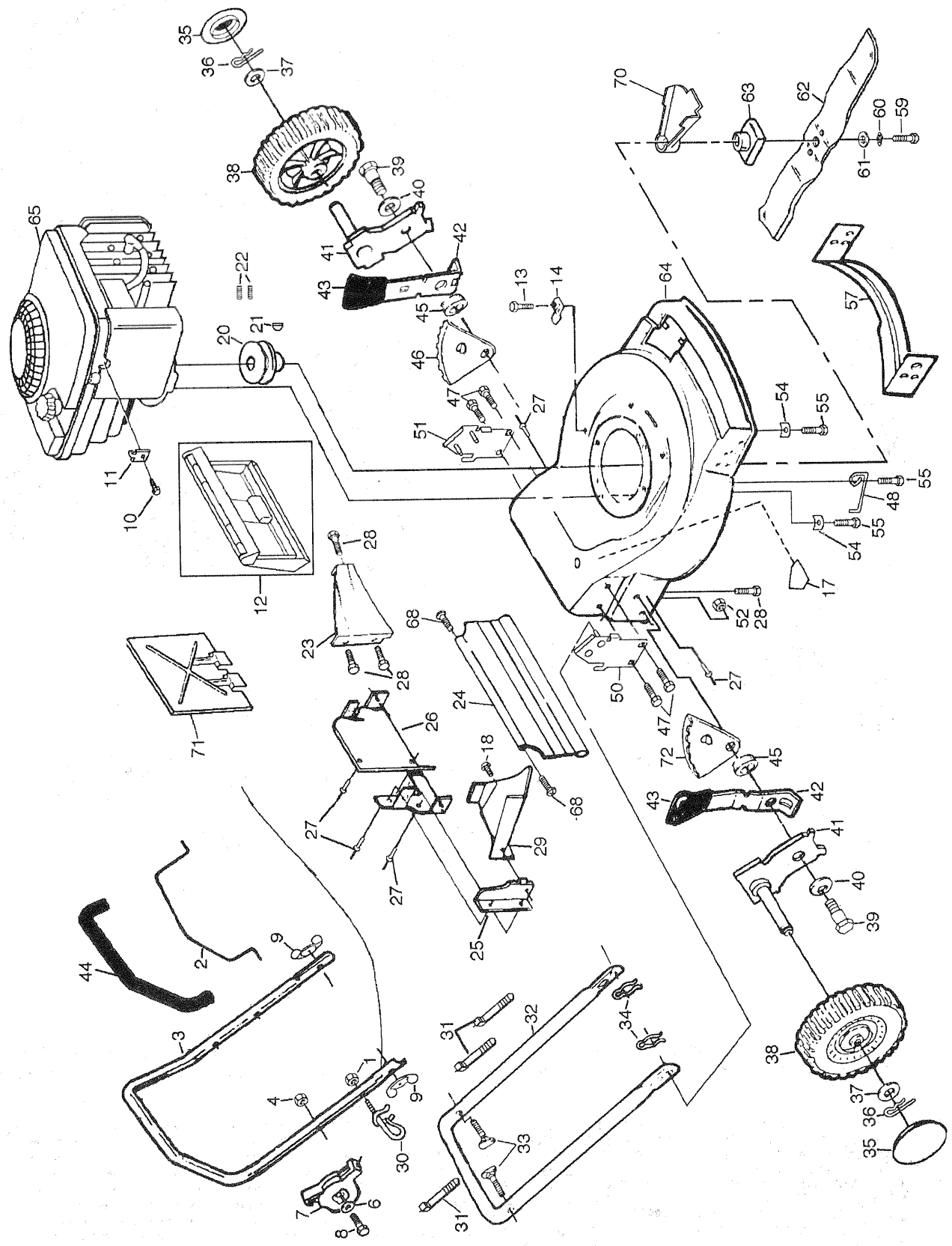


**REPAIR PARTS**  
**22" REAR BAGGER ROTARY LAWN MOWER - - MODEL NO. WE976REA**



# REPAIR PARTS

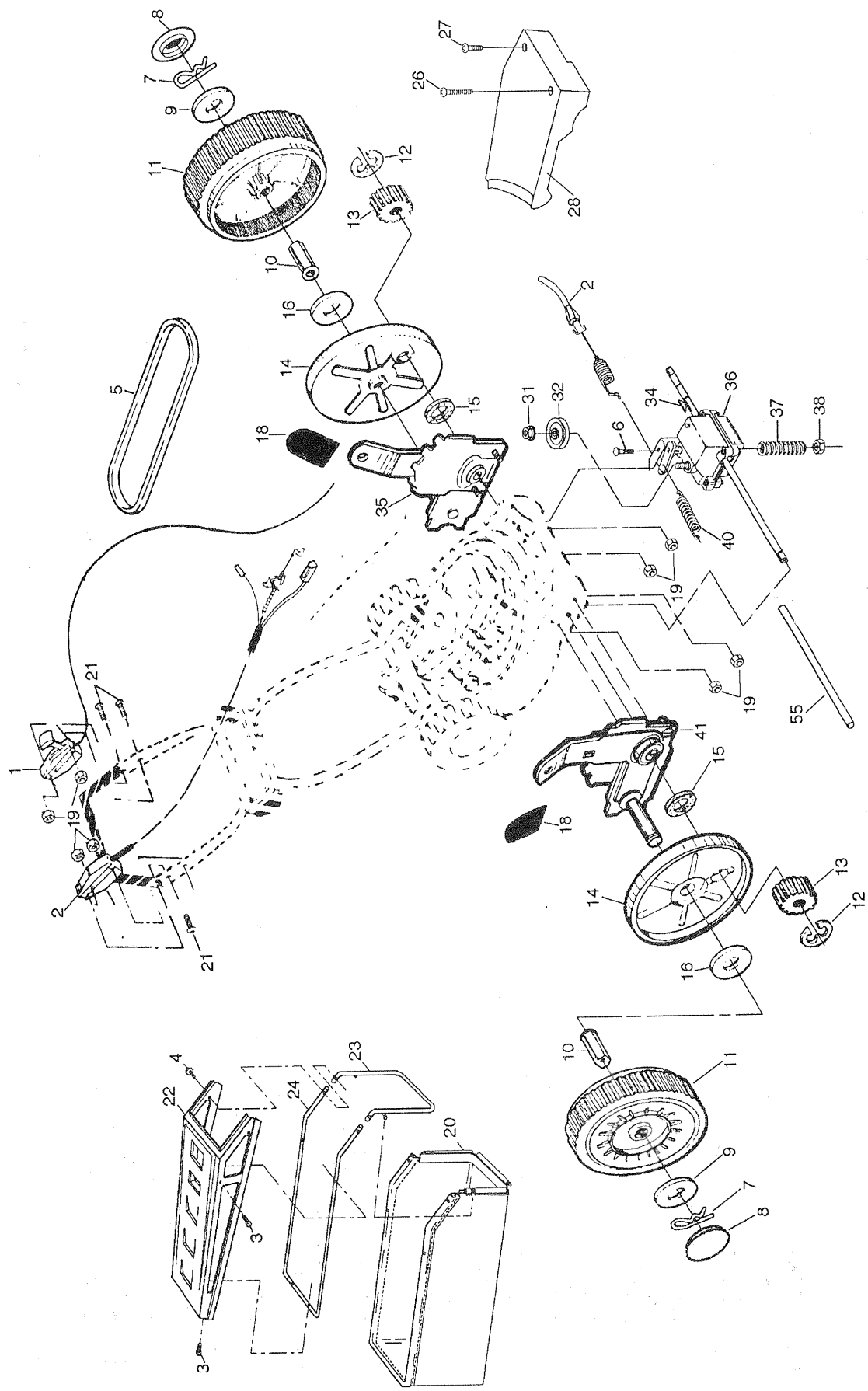
## 22" REAR BAGGER ROTARY LAWN MOWER - - MODEL NO. WE976REA

| KEY NO. | PART NO.   | DESCRIPTION                        | KEY NO. | PART NO.   | DESCRIPTION                                   |
|---------|------------|------------------------------------|---------|------------|---|
| 1       | 73510400   | Locknut 1/4-20                     | 37      | 52160      | Washer  |
| 2       | 131081     | Control Bar                        | 38      | 701574     | Wheel & Tire Assembly 8.00 x 2.00             |
| 3       | 851950X479 | Upper Handle                       | 39      | 84921      | Shoulder Bolt                                 |
| 4       | 63601      | Locknut                            | 40      | 62335      | Belleville Washer                             |
| 6       | 85723      | Washer                             | 41      | 85021X004  | Axle Arm                                      |
| 7       | 700654     | Throttle Control                   | 42      | 700331X004 | Selecter Spring                               |
| 8       | 701650     | Machine Screw 1/4-20 x 3.0         | 43      | 87877      | Selecter Knob                                 |
| 9       | 128628     | Wingnut                            | 44      | 850724     | Grip Foam                                     |
| 10      | 83816      | Screw #10 x 5/8                    | 45      | 84920      | Spacer  |
| 11      | 213146     | * Cable Clamp (Engine)             | 46      | 700376     | Wheel Adjusting Bracket L.R.                  |
| 12      | 130452     | Rear Door Kit                      | 47      | 55187      | Self-tapping Screw 5/16-18 x 3/4              |
| 13      | 750097     | Hex Washer Head Screw #10-24 x 1/2 | 48      | 135030     | Retainer, Debris Shield                       |
| 14      | 87930      | Housing Cable Guide                | 50      | 851768X419 | Handle Bracket (Right)                        |
| 17      | 107339X    | Danger Decal                       | 51      | 851769X419 | Handle Bracket (Left)                         |
| 18      | 86344      | Screw                              | 52      | 751592     | Locknut 3/8-16                                |
| 20      | 85543      | Engine Pulley                      | 54      | 851201X004 | Engine Washer                                 |
| 21      | 87677      | Hj Pro Key #505                    | 55      | 850998     | Hex Head Thread Rolling Screw 3/8-16 x 1      |
| 22      | 59708      | Set Screw 1/4-20 x 5/16            | 57      | 132255X479 | Front Baffle                                  |
| 23      | 133040X479 | Baffle, Rear                       | 59      | 851084     | Hex Head Machine Screw 3/8-24 x 1-3/8 Gr. 8   |
| 24      | 128796     | Rear Skirt                         | 60      | 850263     | Helical Lock Washer                           |
| 25      | 700365X479 | Side Baffle                        | 61      | 851074     | Hardened Washer                               |
| 26      | 700361X479 | Back Plate                         | 62      | 134768     | Blade 22"                                     |
| 27      | 128415     | Pop Rivet                          | 63      | 851514     | Blade Adapter                                 |
| 28      | 54583      | Screw Hex Head 1/4-20 x 1/2        | 64      | 701411     | Lawn Mower Housing Kit (Includes Key No. 17)  |
| 29      | 133190X479 | Discharge Baffle                   | 65      | -----      | * Engine - Briggs & Stratton Model No. 124807 |
| 30      | 132001     | Rope Guide                         | --      | 129925     | Strip Seal                                    |
| 31      | 66426      | Wire Tie                           | 68      | 88652      | Screw, Hinge                                  |
| 32      | 132813X479 | Lower Handle                       | 70      | 134612     | Shield, Debris                                |
| 33      | 131959     | Handle Bolt                        | 71      | 133170X479 | Close-out Plate                               |
| 34      | 51793      | Hairpin Cotter                     | 72      | 700377     | Wheel Adjusting Bracket R.R.                  |
| 35      | 77400      | Hubcap                             | --      | 700963     | Operator's Manual                             |
| 36      | 85179      | Retainer Clip                      | --      | 701655     | Repair Parts Manual                           |

Available accessories not included with lawn mower:  
 -- MA36 Chute Deflector

\* These parts must be purchased through an authorized Briggs & Stratton dealer.

**REPAIR PARTS**  
**22" REAR BAGGER ROTARY LAWN MOWER - - MODEL NO. WE976REA**



# REPAIR PARTS

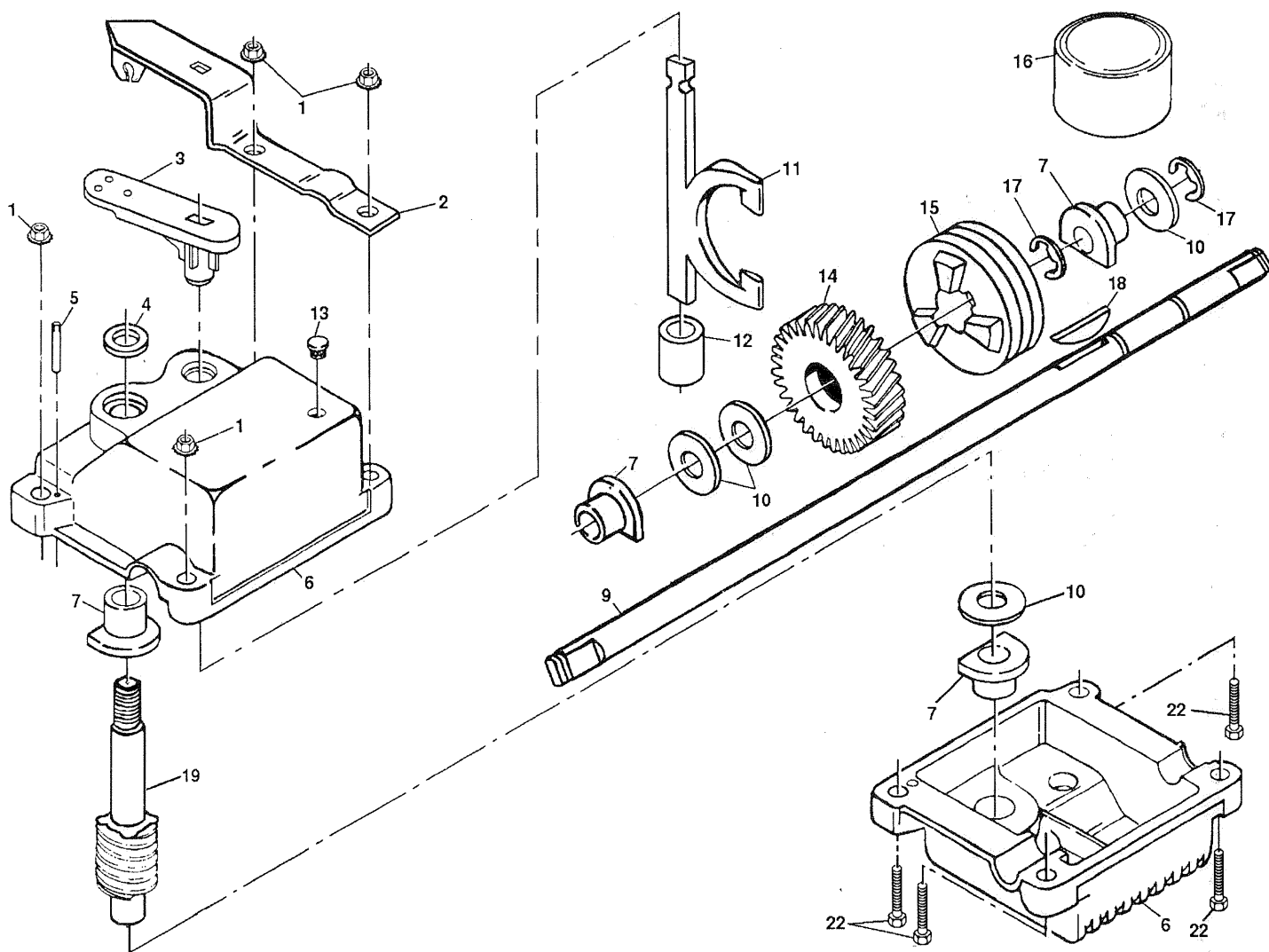
## 22" REAR BAGGER ROTARY LAWN MOWER - - MODEL NO. WE976REA

| KEY NO. | PART NO. | DESCRIPTION                         | KEY NO. | PART NO. | DESCRIPTION                           |
|---------|----------|-------------------------------------|---------|----------|---------------------------------------|
| 1       | 132585   | Engine Zone Control Cable           | 20      | 134892   | Grassbag                              |
| 2       | 700616   | Drive Control                       | 21      | 85692    | Machine 1/4-20 x 2.12                 |
| 3       | 131029   | Hex Head Tapping Screw #10-24 x 6.0 | 22      | 851739   | Grassbag Top                          |
| 4       | 750634   | Thread Rolling Screw #10-24 x 1/2   | 23      | 851735   | Catcher Frame                         |
| 5       | 137078   | V-Belt                              | 24      | 851658   | Catcher Tube                          |
| 6       | 700875   | Carriage Bolt 1/4-20 x 2-3/4        | 26      | 87866    | Pan Head Tapping Screw #10-24 x 2-3/4 |
| 7       | 85179    | Retainer Clip                       | 27      | 136797   | Pan Head Tapping Screw #10-24 x 1-3/4 |
| 8       | 77400    | Hubcap                              | 28      | 137081   | Drive Cover                           |
| 9       | 52160    | Washer                              | 31      | 132010   | Hex Flange Nut                        |
| 10      | 86960    | Nylon Bushing                       | 32      | 137052   | Drive Pulley                          |
| 11      | 701575   | Wheel & Tire Assembly 8.00 x 2.00   | 34      | 850848   | Hi-Pro Key                            |
| 12      | 12000057 | E-Ring                              | 35      | 700339   | Wheel Adjuster Assembly (Left)        |
| 13      | 137054   | Pinion                              | 36      | 700347   | Gear Case Assembly                    |
| 14      | 88080    | Dust Cover                          | 37      | 137089   | Spring                                |
| 15      | 88118    | Felt Washer                         | 38      | 68038    | Hex Locknut 1/4-20                    |
| 16      | 67725    | Washer 1/2 x 1-1/2 x .134           | 40      | 137090   | Spring                                |
| 18      | 87877    | Selector Knob                       | 41      | 700340   | Wheel Adjuster Assembly (Right)       |
| 19      | 63601    | Hex Locknut 1/4-20                  | 55      | 86012    | Driveshaft Cover                      |
|         |          |                                     | --      | 700513   | Drive Cover Decal                     |

# REPAIR PARTS

## 22" POWER PROPELLED LAWN MOWER - - MODEL NO. WE976REA

### GEAR CASE ASSEMBLY PART NUMBER 700347



| KEY NO. | PART NO. | DESCRIPTION  |
|---------|----------|--|
| 1       | 73510400 | Locknut, Keps 1/4-20   |
| 2       | 137055   | Bracket, Adjusting   |
| 3       | 137053   | Shifter  |
| 4       | 57072    | Seal   |
| 5       | 57388    | Pin, Grooved 1/8 x 1/2                                       |
| 6       | 48281    | Gear Case Halves, Upper and Lower (Includes Key #4, 5 and 7) |
| 7       | 77881    | Bearing  |
| 9       | 137074   | Drive Shaft  |
| 10      | 57079    | Washer, Hardened   |

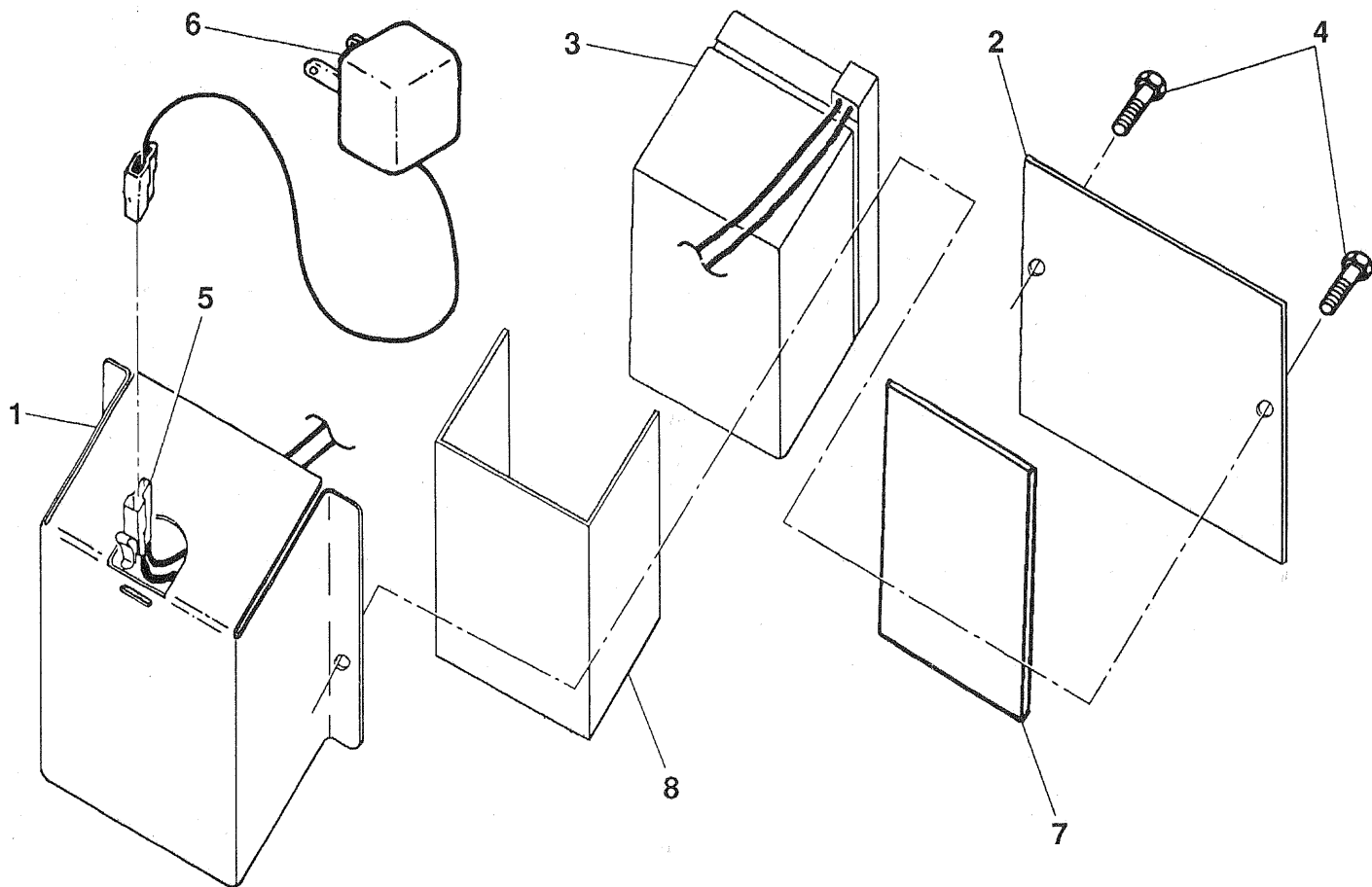
| KEY NO. | PART NO. | DESCRIPTION                    |
|---------|----------|--------------------------------|
| 11      | 131484   | Yoke, Clutch                   |
| 12      | 700343   | Bushing                        |
| 13      | 86447    | Plug                           |
| 14      | 137050   | Gear, Helical                  |
| 15      | 750436X  | Jaw, Clutch                    |
| 16      | 750355   | Grease                         |
| 17      | 1200003  | E-Ring                         |
| 18      | 850848   | Key, Hi-Pro                    |
| 19      | 137051   | Shaft, Worm                    |
| 22      | 50950    | Screw, Hex Head 1/4-20 x 1-1/4 |

**NOTE:** All component dimensions given in U.S. inches  
1 inch = 25.4 mm

**NOTE:** To reseal housing halves use Loctite No. 515

# REPAIR PARTS

## 22" ROTARY LAWN MOWER - - MODEL NO. WE976REA



| KEY NO. | PART NO.  | DESCRIPTION                           |
|---------|-----------|---------------------------------------|
| 1       | 86334X419 | Battery Bracket                       |
| 2       | 86337X419 | Battery Cover                         |
| 3       | 750909    | Battery                               |
| 4       | 750097    | Hex Washer Head Screw<br>#10-24 x 1/2 |
| 5       | 86353     | Connector Mounting Clip               |
| 6       | 111549X   | Battery Charger                       |
| 7       | 86649     | Battery Pad                           |
| 8       | 134861    | Battery Wrap                          |