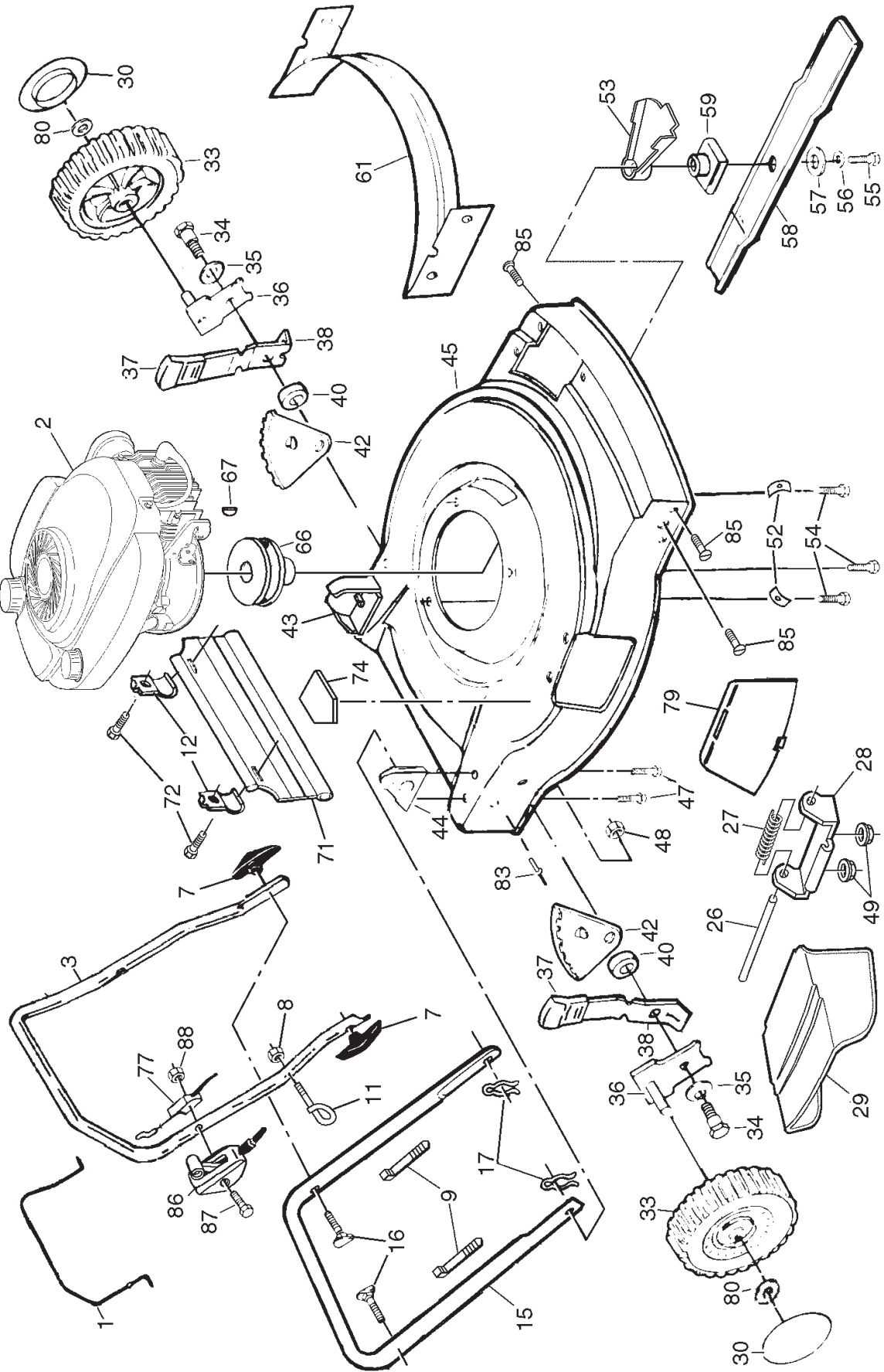


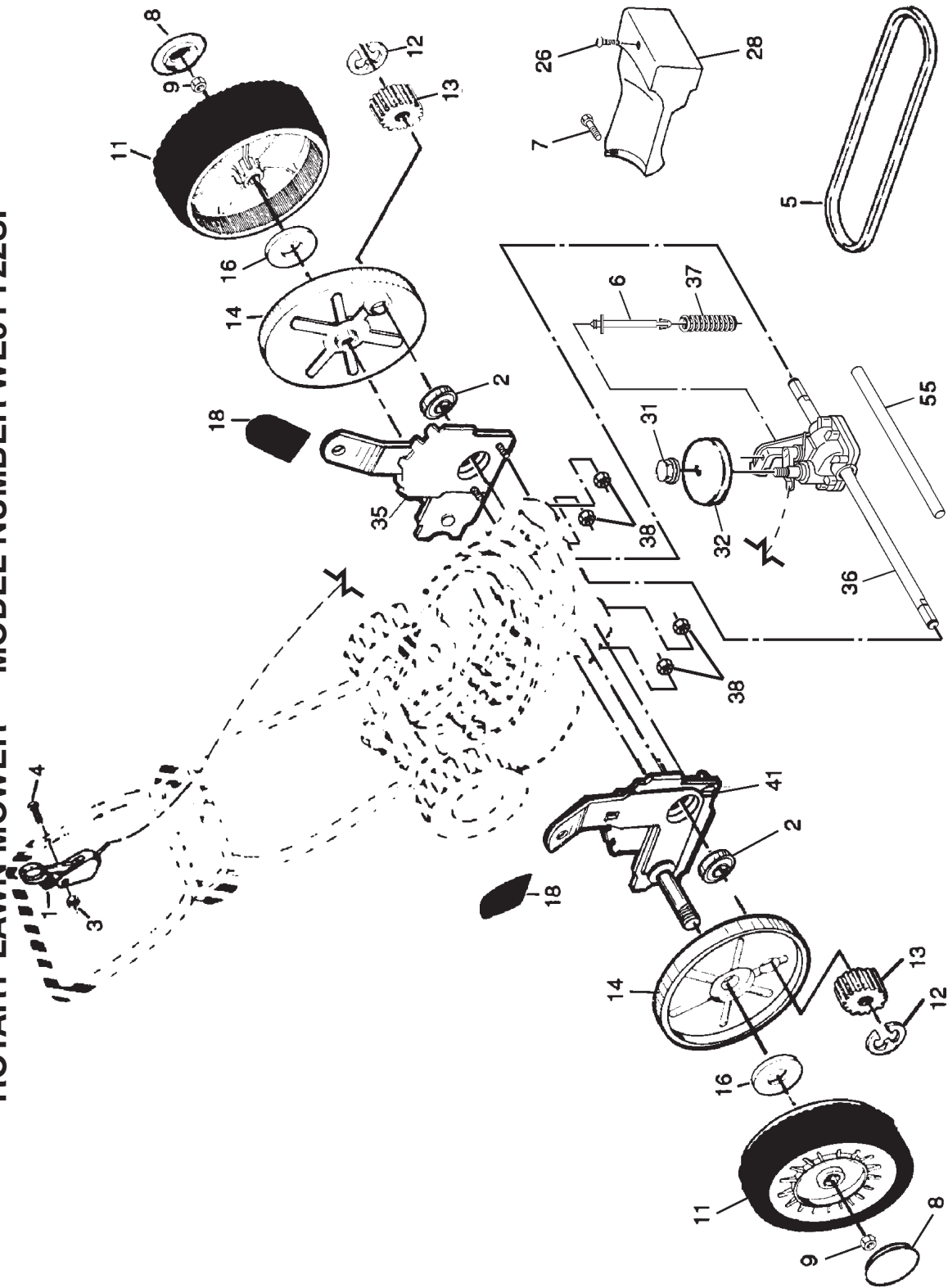
ROTARY LAWN MOWER -- MODEL NUMBER WE5TY22SF



ROTARY LAWN MOWER - - MODEL NUMBER WE5TY22SF

KEY NO.	PART NO.	DESCRIPTION	KEY NO.	PART NO.	DESCRIPTION
1	145794X428	Control Bar	52	851201X004	Washer
2	- - -	Engine, Tecumseh, Model Number LV195EA (For engine service and replacement parts, call Tecumseh Products at 1-800-558-5402)	53	182002	Debris Shield
3	166862X479	Upper Handle	54	150406	Hex Head Thread Rolling Screw 3/8-16 x 1
7	136376	Handle Knob	55	851084	Hex Head Screw 3/8-24 x 1-3/8 Grade 8
8	132004	Locknut 1/4-20	56	850263	Helical Lockwasher 3/8
9	66426	Wire Tie	57	851074	Hardened Washer
11	179585	Rope Guide	58	141114	22" Blade
12	87584X004	Skirt Bracket	59	184590	Blade Adapter
15	151721X479	Lower Handle	61	170031	Kit, Front Baffle
16	131959	Handle Bolt 5/16-18 x 1-3/4	66	184941	Engine Pulley
17	51793	Hairpin Cotter	67	187723	Hi-Pro Key
26	147286	Hinge Rod	71	189008	Rear Skirt
27	87589	Torsion Spring	72	750097	Self-Tapping Screw #10-24 x 1
28	87593	Housing Bracket Assembly	74	107339X	Warning Decal
29	750149	Discharge Guard	77	851671	Cable, Engine Zone Control
30	77400	Hubcap	79	751772X479	Mulcher Plate
33	146247	Wheel & Tire Assembly	80	83923	Washer 17/32 x 1 x 21 Gauge
34	142748	Shoulder Bolt 3/8-16 x 1	83	128415	Pop Rivet
35	62335	Belleville Washer 1/2	85	17600406	Flat Head Machine Screw
36	145935X004	Axle Arm Assembly	86	174148	Throttle Control
37	87877	Selector Knob	87	183365	Screw
38	700331X004	Selector Spring	88	132004	Nut, Hex 1/4-20
40	146630	Spacer	- -	134027X479	Rear Baffle (not shown)
42	700325X007	Wheel Adjusting Bracket	- -	162300	Warning Decal
43	170346X479	Handle Bracket Assembly, LH	- -	172787	Operator's Manual (English)
44	170345X479	Handle Bracket Assembly, RH	- -	191244	Repair Parts Manual
45	173995	Kit, Lawn Mower Housing (Includes Key Numbers 63 and 74)	Available accessories not included with lawn mower:		
47	149741	Self Tapping Screw 5/16-18 x 3/4	- -	GCK5000	Grass Catcher
48	751592	Locknut 3/8-16	NOTE: All component dimensions given in U.S. inches.		
49	73800400	Locknut 1/4-20	1 inch = 25.4 mm		

ROTARY LAWN MOWER -- MODEL NUMBER WE5TY22SF

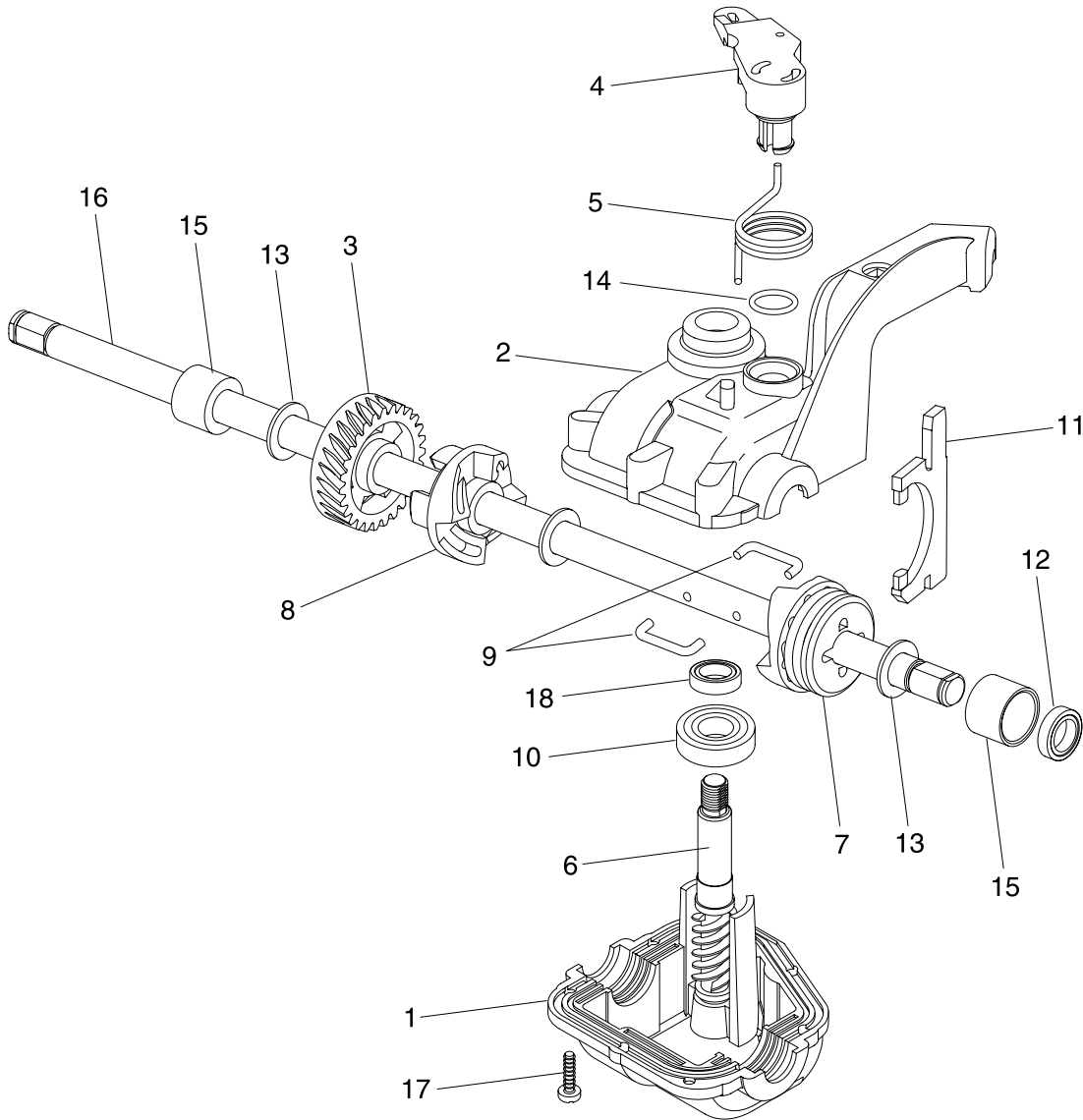


ROTARY LAWN MOWER - - MODEL NUMBER WE5TY22SF

KEY NO.	PART NO.	DESCRIPTION	KEY NO.	PART NO.	DESCRIPTION
1	184588	Drive Control Assembly	26	146072	Pan Head Tapping Screw #10-24 x 2-3/4
2	167387	Bearing, Wheel Adjuster	28	137088	Drive Cover
3	191730	Nut, Hex, Flanged 1/4-20	31	132010	Locknut
4	158755	Pan Head Machine Screw 1/4-20 x 2-3/16	32	189407	Drive Pulley
5	146527	V-Belt	35	151521	Kit, Wheel Adjuster, LH (Includes Knob and Bearing)
6	150495	Hex Head Bolt 1/4-20 x 2	36	187211	Gear Case (See Breakdown)
7	750097	Screw	37	137090	Spring
8	77400	Hubcap	38	73800400	Locknut
9	145212	Locknut	41	151520	Kit, Wheel Adjuster, RH (Includes Knob and Bearing)
11	180776	Wheel & Tire Assembly	55	86012	Drive Shaft Cover
12	12000058	E-Ring			
13	137054	Pinion			
14	180504	Dust Cover			
16	67725	Washer			
18	87877	Selector Knob			

NOTE: All component dimensions given in U.S. inches.
1 inch = 25.4 mm

**ROTARY LAWN MOWER - - MODEL NUMBER WE5TY22SF
GEAR CASE ASSEMBLY - - PART NUMBER 187211**



KEY NO.	PART NO.	DESCRIPTION
1	183497	Case, Lower
2	183498	Case, Upper
3	183499	Gear, 27 Teeth
4	183500	Lever, Clutch
5	183501	Spring, Return
6	183502	Shaft, Input
7	183503	Dog, Movable
8	183504	Dog, Fixed
9	183505	Wire, Formed
10	183506	Bearing, Ball
11	183507	Fork, Shift
12	183508	Seal, Output Shaft
13	183509	Washer
14	183510	Seal, Case
15	183511	Bushing
16	187521	Shaft, Output
17	183513	Screw
18	183514	Seal, Input Shaft

NOTE: Use Dow Corning #709 to reseal Gear Case Halves.

NOTE: All component dimensions given in U.S. inches.
1 inch = 25.4 mm