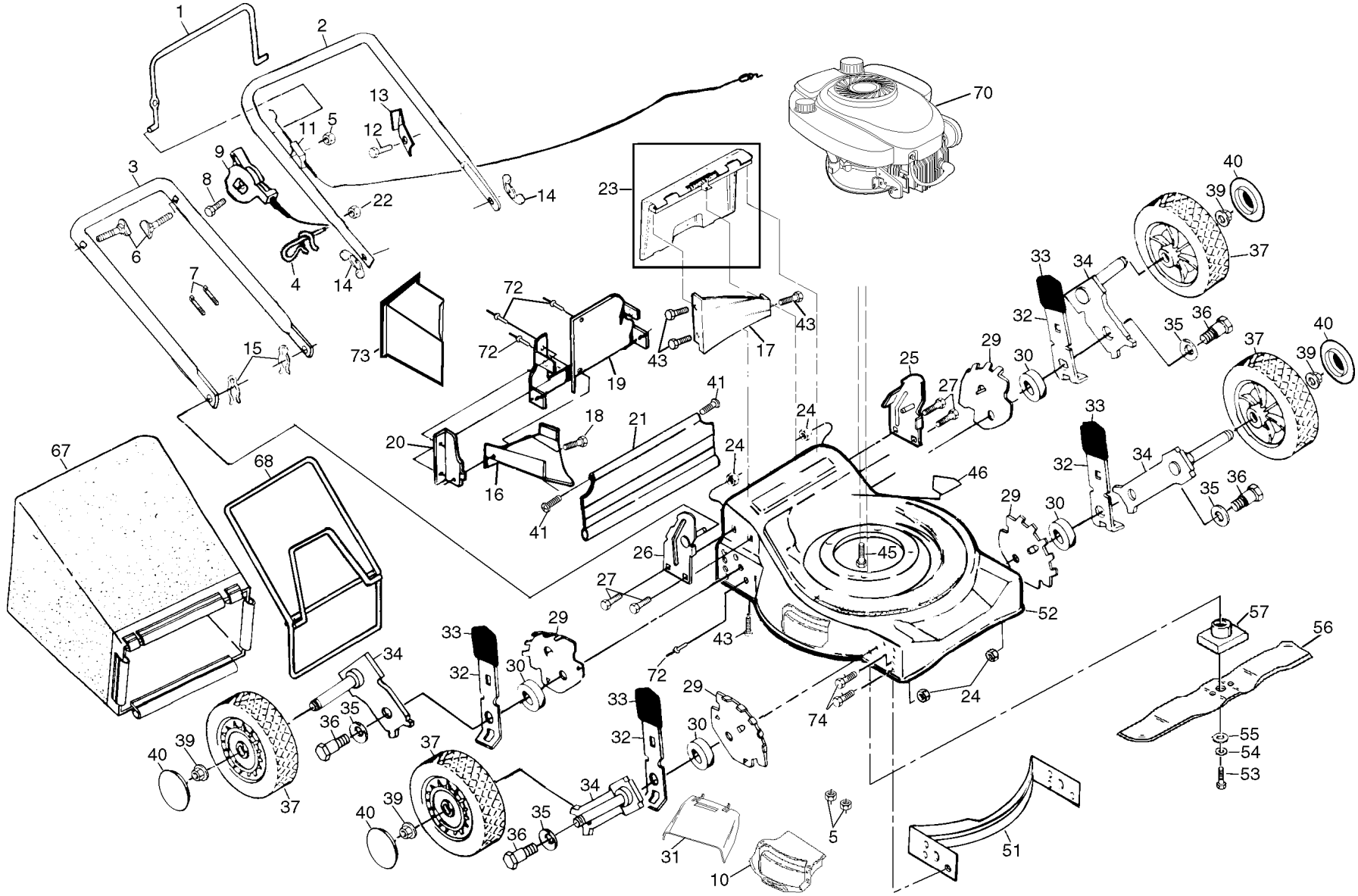


ROTARY LAWN MOWER - - MODEL NUMBER WE45TN20RC



For Parts Call K&T 606-678-9623 or 606-561-4983

ROTARY LAWN MOWER - - MODEL NUMBER WE45TN20RC

KEY PART NO.	NO.	DESCRIPTION
1	131696	Control Bar
2	166860X479	Upper Handle
3	151590X479	Lower Handle
4	179585	Rope Guide
5	132004	Locknut 1/4-20
6	131959	Handle Bolt
7	66426	Wire Tie
8	144929	Hex Washer Head Screw 1/4-20 x 2-1/8
9	163054	Throttle Control
10	147738	Combi-cut Door
11	851671	Engine Zone Control Cable
12	750097	Hex Washer Head Screw #10-24 x 1/2
13	850733X004	Up-Stop Bracket
14	128638	Wing Nut
15	51793	Hairpin Cotter
16	133188X479	Discharge Baffle
17	169207X479	Rear Baffle
18	150050	Hex Head Screw #10-24 x 1/2
19	156445X479	Back Plate
20	700363X479	Side Baffle
21	140657	Rear Skirt
22	63601	Locknut 1/4-20
23	147613	Rear Door Assembly Kit
24	751592	Locknut 3/8-16
25	151589X479	Handle Bracket Assembly (Left)
26	151588X479	Handle Bracket Assembly (Right)
27	150078	Screw 5/16-18 x 3/4
29	700325X007	Wheel Adjusting Bracket
30	146630	Spacer
31	145285	Clip-on Discharge Guard
32	700331X004	Selector Spring

KEY PART NO.	NO.	DESCRIPTION
33	87877	Selector Knob
34	145935X004	Axle Arm Assembly
35	62335	Belleville Washer
36	142748	Shoulder Bolt 3/8-16
37	146247	Wheel Assembly
39	83923	Flanged Locknut
40	77400	Hubcap
41	88652	Hinge Screw
43	54583	Hex Tapping Screw 1/4-20 x 1/2
45	150406	Hex Head Thread Rolling Screw 3/8-16 x 1
46	107339X	Danger Decal
51	170540	Front Baffle Kit
52	170539	Housing Assembly (Incl. Ref. #46)
53	851084	Hex Head Screw 3/8-24 x 1-3/8 Grd. 8
54	850263	Helical Lockwasher
55	851074	Hardened Washer
56	145106	20" Blade
57	850977	Blade Adapter
67	158830	Grass Bag
68	149555	Catcher Frame
70	- - -	Engine, Tecumseh, Model Number LEV120 (Order parts from engine manufacturer)
72	128415	Pop Rivet
73	166650	Mulcher Plug
74	17600406	Screw
- -	162300	Warning Decal(Not Shown)
- -	172782	Operator's Manual (English)
- -	172783	Operator's Manual (French)
- -	182299	Replacement Parts Manual (English/French)

NOTE: All component dimensions given in U.S. inches.
1 inch = 25.4 mm