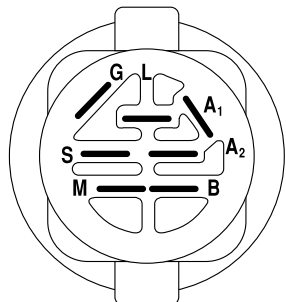
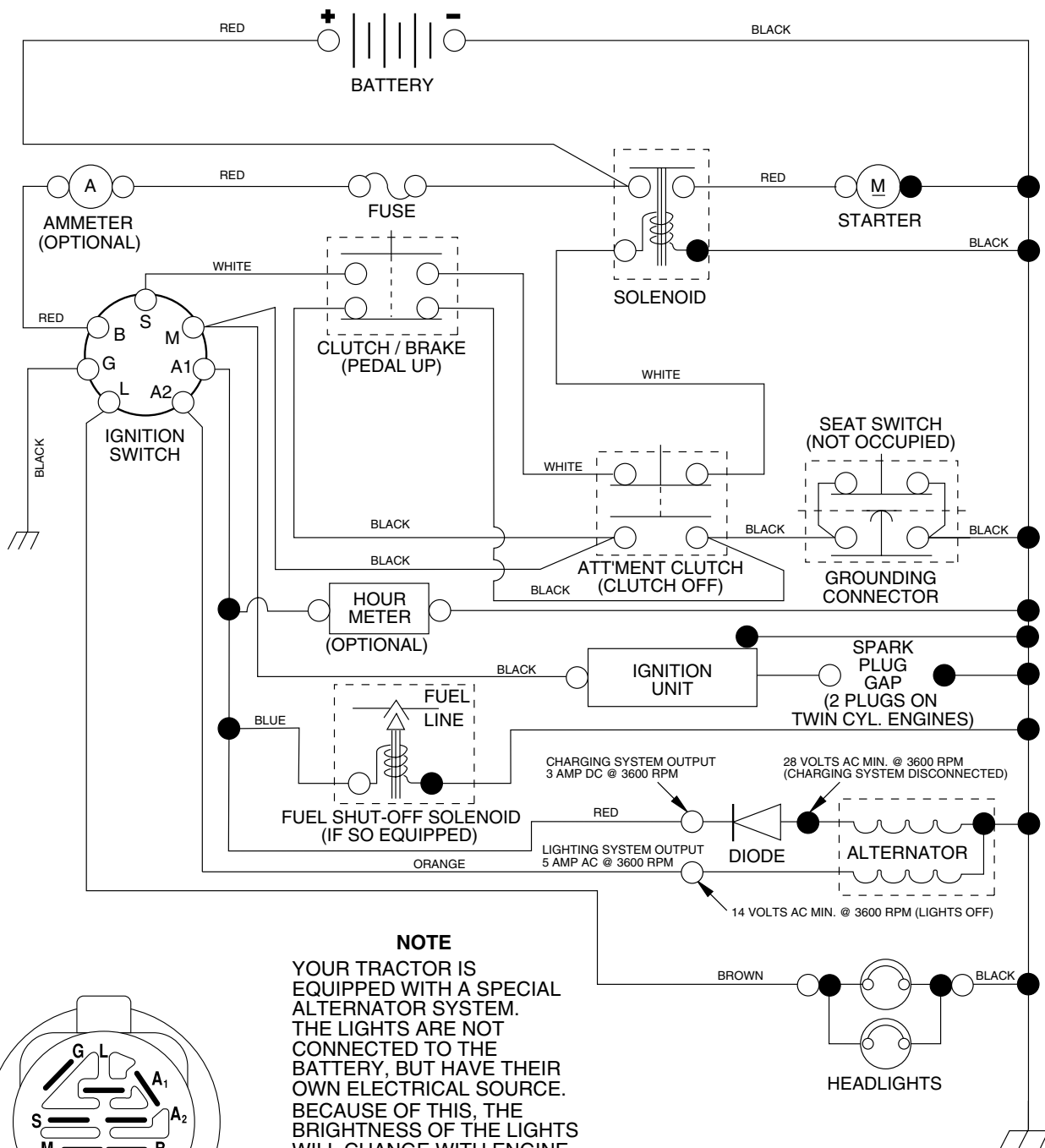


**TRACTOR - - MODEL NUMBER WE1338A, PRODUCT NUMBER 954 56 93-56  
SCHEMATIC**



**IGNITION SWITCH**

| POSITION  | CIRCUIT    | "MAKE" |
|-----------|------------|--------|
| OFF       | M+G+A1     | NONE   |
| RUN/LIGHT | B+A1       | A2+L   |
| RUN       | B+A1       | NONE   |
| START     | B + S + A1 | NONE   |

**NOTE**

YOUR TRACTOR IS EQUIPPED WITH A SPECIAL ALTERNATOR SYSTEM. THE LIGHTS ARE NOT CONNECTED TO THE BATTERY, BUT HAVE THEIR OWN ELECTRICAL SOURCE. BECAUSE OF THIS, THE BRIGHTNESS OF THE LIGHTS WILL CHANGE WITH ENGINE SPEED. AT IDLE THE LIGHTS WILL DIM. AS THE ENGINE IS SPEEDED UP, THE LIGHTS WILL BECOME THEIR BRIGHTEST.

NON-REMOVABLE CONNECTIONS

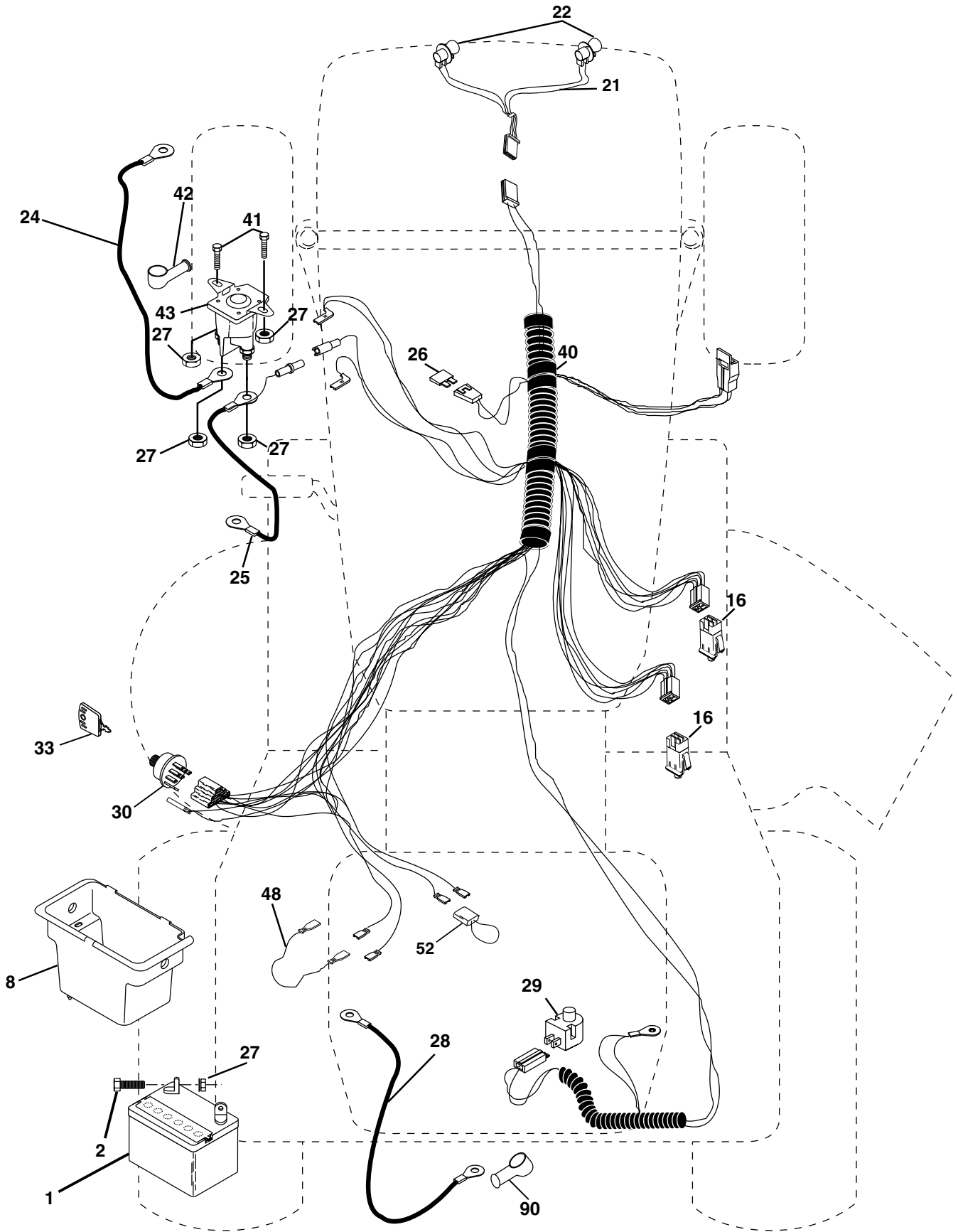
REMOVABLE CONNECTIONS

**WIRING INSULATED CLIPS**

**NOTE:** IF WIRING INSULATED CLIPS WERE REMOVED FOR SERVICING OF UNIT, THEY SHOULD BE REPLACED TO PROPERLY SECURE YOUR WIRING.

# REPAIR PARTS

TRACTOR - - MODEL NUMBER WE1338A, PRODUCT NUMBER 954 56 93-56  
ELECTRICAL



## REPAIR PARTS

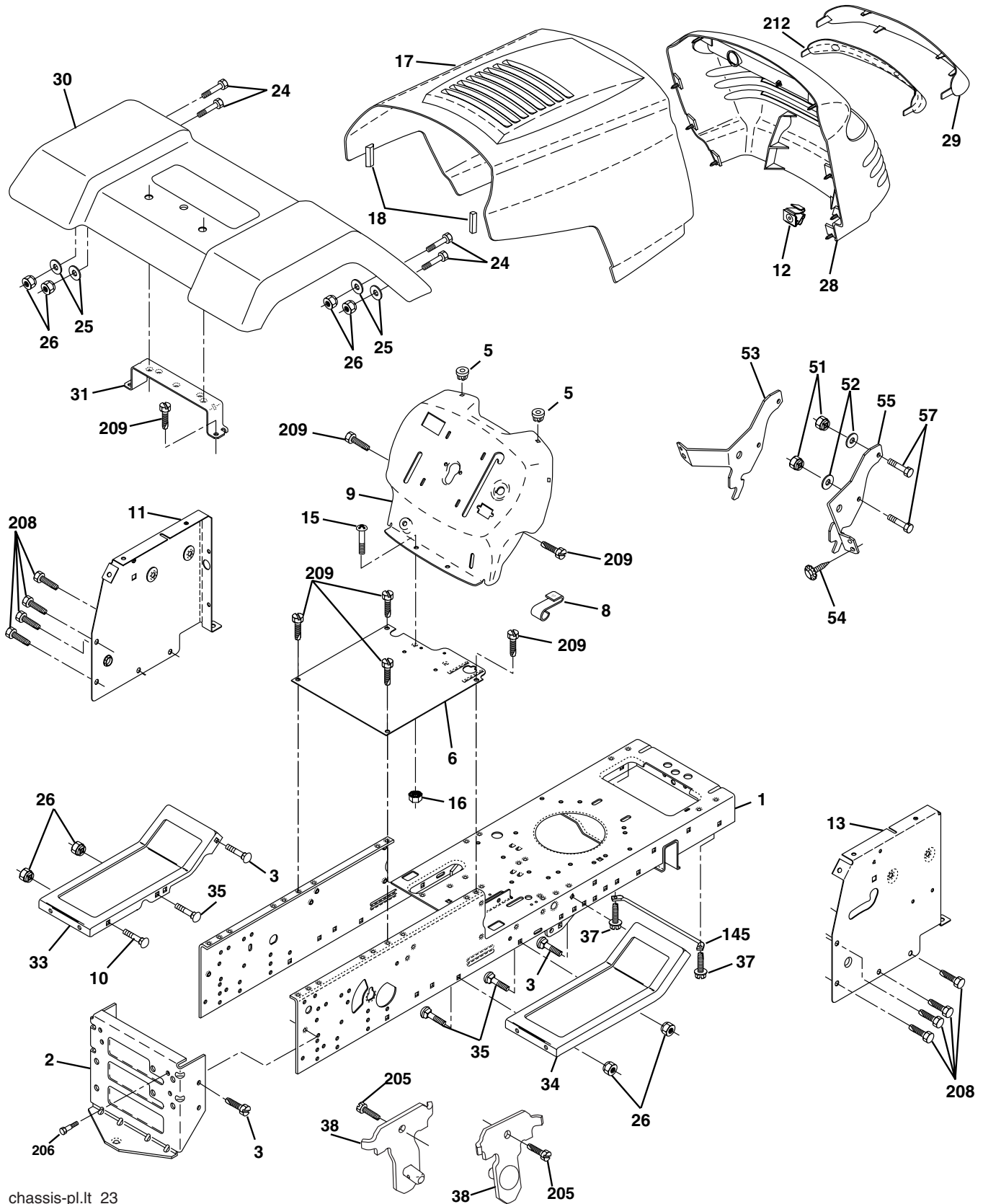
TRACTOR - - MODEL NUMBER WE1338A, PRODUCT NUMBER 954 56 93-56  
ELECTRICAL

| KEY NO. | PART NO. | DESCRIPTION                  |
|---------|----------|------------------------------|
| 1       | 163465   | Battery                      |
| 2       | 74760412 | Bolt Hex Hd 1/4-20 Unc x 3/4 |
| 8       | 176689   | Box Battery                  |
| 16      | 176138   | Switch Interlock             |
| 21      | 175685   | Harness Asm Light W/4152j    |
| 22      | 4152J    | Bulb Light #1156             |
| 24      | 4799J    | Cable Battery 6 Ga 11"red    |
| 25      | 146147   | Cable Battery                |
| 26      | 175158   | Fuse 20 AMP                  |
| 27      | 73510400 | Nut Keps Hex 1/4-20 Unc      |
| 28      | 4207J    | Cable Ground 6 Ga 12"black   |
| 29      | 121305X  | Switch Plunger Nc Gray       |
| 30      | 175566   | Switch Ign                   |
| 33      | 140401   | Key Ign                      |
| 40      | 179720   | Harness Ign                  |
| 41      | 71110408 | Bolt Blk Fin Hex 1/4-20      |
| 42      | 131563   | Cover Terminal Red           |
| 43      | 178861   | Solenoid                     |
| 48      | 140844   | Adapter Ammeter              |
| 52      | 141940   | Protection Wire Loop         |
| 90      | 180449   | Cover Terminal Battery       |

**NOTE:** All component dimensions given in U. S. inches 1 inch = 25.4 mm.

# REPAIR PARTS

TRACTOR - - MODEL NUMBER WE1338A, PRODUCT NUMBER 954 56 93-56  
CHASSIS



chassis-pl.lt\_23

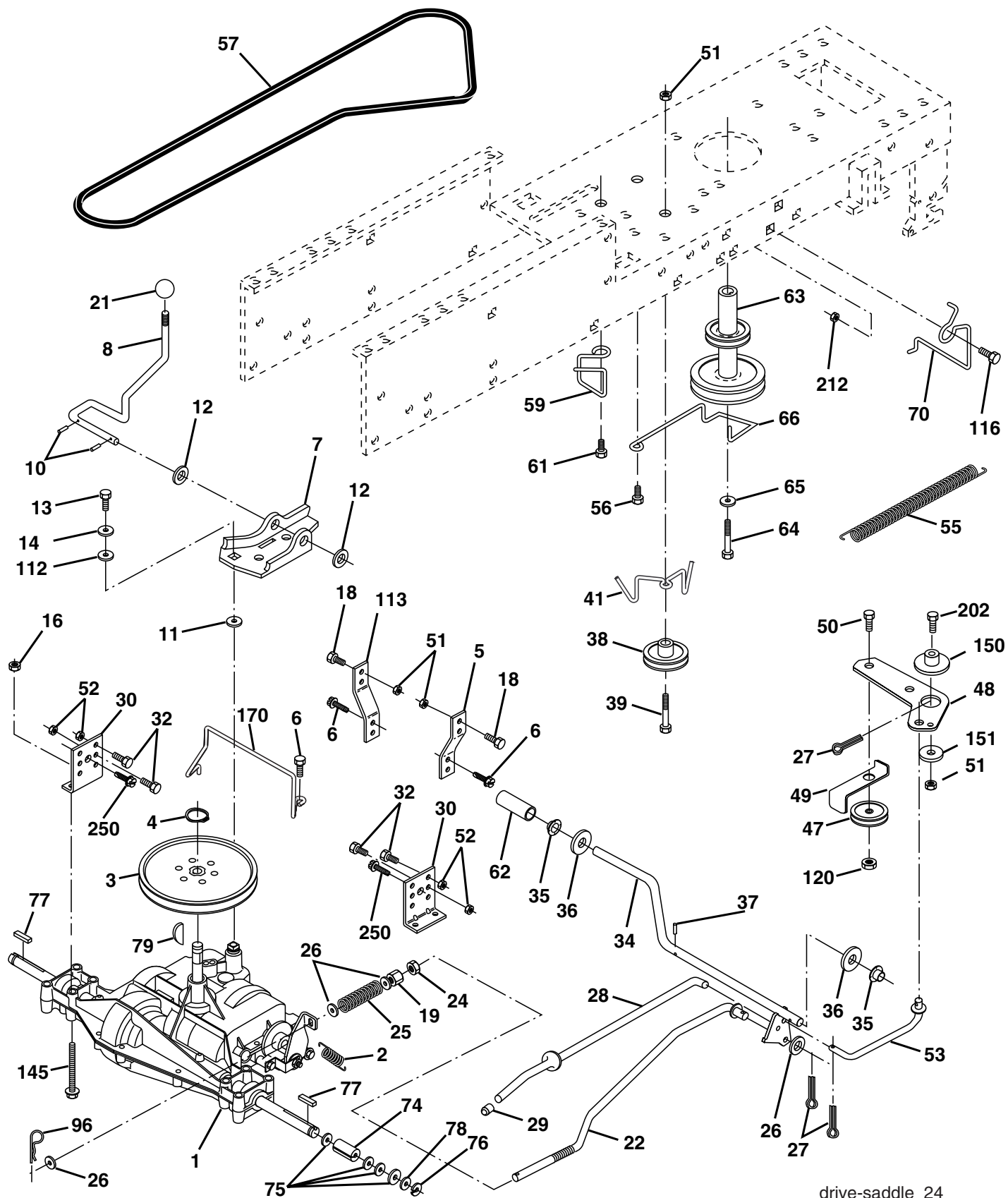
**REPAIR PARTS****TRACTOR - - MODEL NUMBER WE1338A, PRODUCT NUMBER 954 56 93-56  
CHASSIS**

| <b>KEY<br/>NO.</b> | <b>PART<br/>NO.</b> | <b>DESCRIPTION</b>                |
|--------------------|---------------------|-----------------------------------|
| 1                  | 174620              | Chassis                           |
| 2                  | 176554              | Drawbar, Stretch                  |
| 3                  | 17060612            | Screw 3/8-16 x 3/4                |
| 5                  | 155272              | Bumper, Hood/Dash                 |
| 6                  | 174643X013          | Saddle Silkscreen                 |
| 8                  | 155138              | Clip Retainer Slide-On            |
| 9                  | 168347X011          | Dash                              |
| 10                 | 72140608            | Bolt, Carriage 3/8-16 x 1         |
| 11                 | 174996              | Panel Dash LH                     |
| 12                 | 145660              | Clip Tinnerman Grille P.L         |
| 13                 | 172105X010          | Panel Silkscr Dash RH             |
| 15                 | 74180512            | Screw Mach TRHD 5/16-18 Unc x 3/4 |
| 16                 | 73510500            | Nut Keps 5/16-18 Unc              |
| 17                 | 159639x550          | Hood                              |
| 18                 | 184921              | Bumper Hood                       |
| 24                 | 74780616            | Bolt Fin Hex 3/8-16 Unc x 1 Gr. 5 |
| 25                 | 19131312            | Washer 13/32 x 13/16 x 12 Ga      |
| 26                 | 73800600            | Nut Lock Hex w/Ins 3/8-16 Unc     |
| 28                 | 179101              | Grille/Lens Asm.                  |
| 29                 | 140273X599          | Lens Grille Private Label         |
| 30                 | 169465X550          | Fender                            |
| 31                 | 136619              | Bracket Fender Repl 109873X       |
| 33                 | 179716X550          | Footrest Pnt LH                   |
| 34                 | 179717X550          | Footrest Pnt RH                   |
| 35                 | 72110606            | Bolt Rdhd Sht Sqnk 3/8-16 x 3/4   |
| 37                 | 17490508            | Screw Thdrol 5/16-18 x 1/2 TYT    |
| 38                 | 175710              | Bracket Asm. Pivot Mower          |
| 51                 | 73800400            | Nut Lock W/Insert 1/4-20unc       |
| 52                 | 19091416            | Washer 9/32 x 7/8 x 16 Ga.        |
| 53                 | 144697              | Bracket Grille Lh                 |
| 54                 | 161464              | Screw Hex 8-18 x 7/8              |
| 55                 | 144696              | Bracket Grille Rh                 |
| 57                 | 74780412            | Bolt Fin Hex 1/4-20 Unc x .75     |
| 145                | 156524              | Rod Pivot Chassis/Hood            |
| 205                | 17490608            | Screw Thdrol 3/8-16 x 1/2         |
| 206                | 170165              | Bolt Shoulder 5/16-18             |
| 208                | 17670608            | Screw Thdrol 3/8-16 x 1/2         |
| 209                | 17000612            | Screw Hex Wsh Thdrol 3/8-16       |
| 212                | 156229              | Insert Lens Reflect               |
| ---                | 5479J               | Plug Button Blk 359 Dia Choke     |

**NOTE:** All component dimensions given in U.S. inches  
1 inch = 25.4 mm.

# REPAIR PARTS

TRACTOR - - MODEL NUMBER WE1338A, PRODUCT NUMBER 954 56 93-56  
DRIVE



drive-saddle\_24

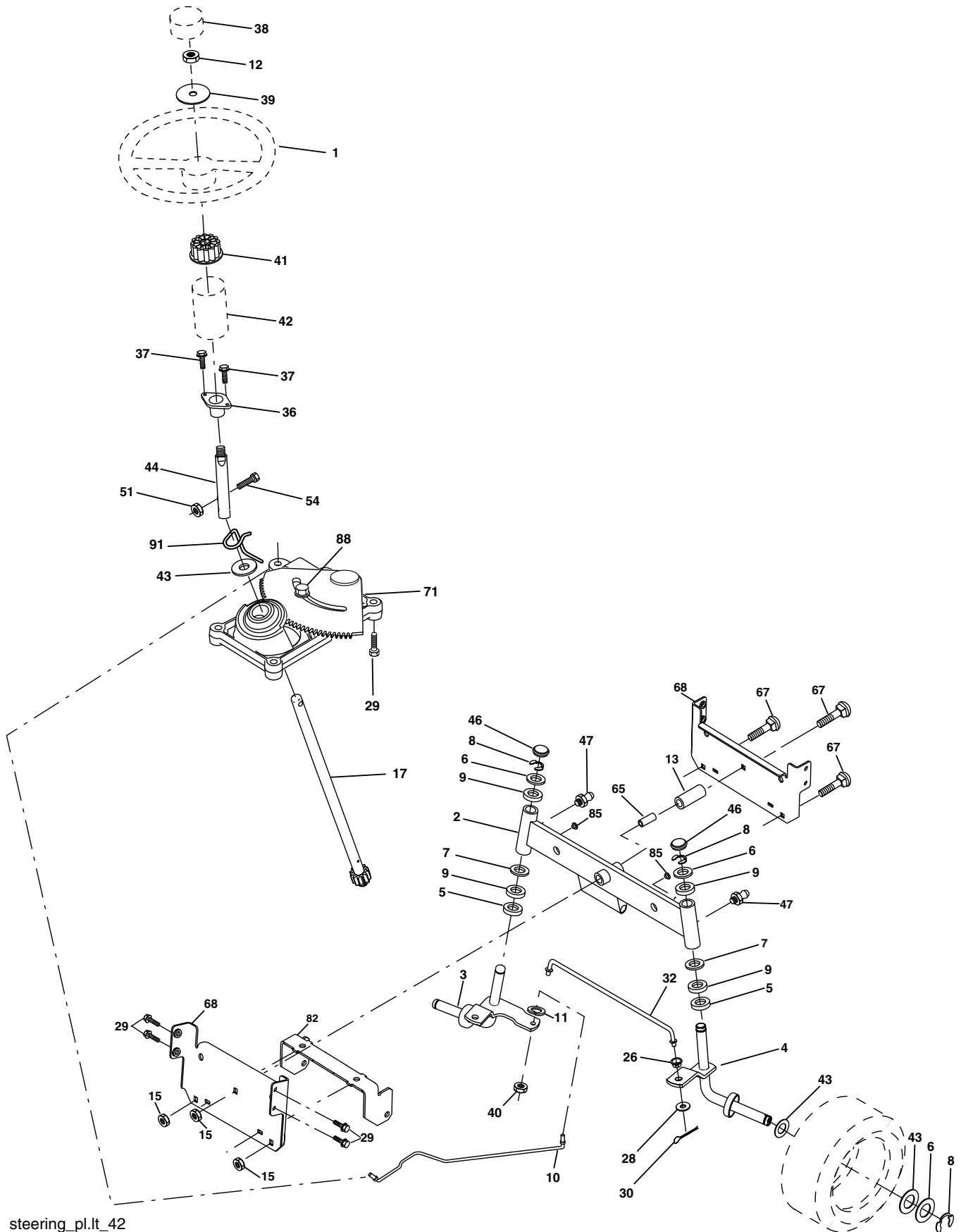
**REPAIR PARTS****TRACTOR - - MODEL NUMBER WE1338A, PRODUCT NUMBER 954 56 93-56  
DRIVE**

| KEY NO. | PART NO. | DESCRIPTION   | KEY NO. | PART NO. | DESCRIPTION                       |
|---------|----------|---|---------|----------|-----------------------------------|
| 1       | -----    | Transaxle<br>Peerless Model 205-544C<br>(Order parts from transaxle manufacturer) | 49      | 123205X  | Retainer Belt Style Spring        |
| 2       | 146682   | Spring Return Brake   | 50      | 72110612 | Bolt Carr Sh 3/8-16 x 1-1/2 Gr. 5 |
| 3       | 123666X  | Pulley Transaxle 18"tires   | 51      | 73680600 | Nut Crownlock 3/8-16 Unc          |
| 4       | 12000028 | Ring Retainer # 5100-62   | 52      | 73680500 | Nut Crownlock 5/16-18 Unc         |
| 5       | 121520X  | Strap Torque 30 Degrees RH  | 53      | 105710X  | Link Clutch 7 66                  |
| 6       | 17060512 | Screw 5/16-18 x 3/4   | 55      | 105709X  | Spring Return Clutch 6 75         |
| 7       | 162240   | Plate Rod Shift T/a   | 56      | 17060620 | Screw 3/8-16 x 1-1/4              |
| 8       | 131679   | Rod Shifter Blk   | 57      | 130801   | V-Belt Ground Drive 95            |
| 10      | 76020416 | Pin Cotter 1/8 x 1 Cad  | 59      | 169691   | Keeper Belt Chassis Span Ctr      |
| 11      | 105701X  | Washer Plate Shf 388 Sq Hole  | 61      | 17120614 | Screw 3/8-16 x .875               |
| 12      | 19151216 | Washer 15/32 x 3/4 x 16 Ga  | 62      | 8883R    | Cover Pedal Blk Round             |
| 13      | 74550412 | Bolt 1/4-28 unf Gr. 8 w/Patch   | 63      | 175410   | Engine Pulley LT/YT               |
| 14      | 10040400 | Washer Lock Hvy Helical 1/4   | 64      | 71170764 | Bolt Hex 7/16-20 x 4 Gr 5         |
| 16      | 73800500 | Nut Lock Hex w/Ins 5/16-18 Unc  | 65      | 10040700 | Washer Lock Hvy Hlcl Spr 7/16     |
| 18      | 74780616 | Bolt Fin Hex 3/8-16 Unc x 1 Gr. 5   | 66      | 154778   | Keeper Belt Engine                |
| 19      | 73800600 | Nut lock Hex w/Ins 3/8-16 Unc   | 70      | 134683   | Guide Belt Mower Drive RH         |
| 21      | 106933X  | Knob Rd 1/2-13 Plstc Thds Blk   | 74      | 137057   | Spacer Axle                       |
| 22      | 130804   | Rod Brake LT  | 75      | 121749X  | Washer 25/32 x 1 1/4 x 16 Ga      |
| 24      | 73350600 | Nut Hex Jam 3/8-16 Unc  | 76      | 12000001 | E-Ring #5133-75                   |
| 25      | 106888X  | Spring Rod Brake 2 00 Zinc  | 77      | 123583X  | Key Square 2 0 x 1845/ 1865       |
| 26      | 19131316 | Washer 13/32 x 13/16 x 16 Ga  | 78      | 121748X  | Washer 25/32 x 1-5/8 x 16 Ga      |
| 27      | 76020412 | Pin Cotter 1/8 x 3/4 Cad  | 79      | 2228M    | Key Woodruff                      |
| 28      | 175765   | Rod Brake Parking LT/YT   | 96      | 4497H    | Retainer Spring 1"                |
| 29      | 71673    | Cap Brake Parking Black   | 112     | 19091210 | Washer 9/32 x 3/4 x 10 Ga         |
| 30      | 174973   | Bracket Transmission  | 113     | 127285X  | Strap Torque 90 Degrees LH        |
| 32      | 74760512 | Bolt Fin Hex 5/16-18 x 3/4  | 116     | 72140608 | Bolt Rdhd Sq Neck 3/8-16 x 1      |
| 34      | 175578   | Shaft Asm Pedal Foot Nibbed   | 120     | 73900600 | Nut Lock Flg 3/8-16               |
| 35      | 120183X  | Bearing Nylon Blk 629 Id  | 145     | 74490540 | Bolt Hex Flg.Hd. 5/16-18 x Gr.5   |
| 36      | 19211616 | Washer 21/32 x 1 x 16 Ga  | 150     | 175456   | Spacer Retainer Lt                |
| 37      | 1572H    | Pin Roll 3/16 x 1"  | 151     | 19133210 | Washer 13/32 x 2 x 10 Ga.         |
| 38      | 179114   | Pulley Composite Flat   | 170     | 178394   | Keeper, Belt Transaxle            |
| 39      | 74760648 | Bolt Fin Hex 3/8-16 x 3   | 202     | 72110614 | Bolt Carr Sh 3/8-16 x 1-3/4 Gr.5  |
| 41      | 175556   | Keeper Belt Idler   | 212     | 145212   | Nut Hex Flg Lock                  |
| 47      | 127783   | Pulley Idler V Groove Plastic   | 250     | 17060612 | Screw 3/8-16 x 3/4                |
| 48      | 154407   | Bellcrank Clutch Grnd Drv STL   |         |          |                                   |

**NOTE:** All component dimensions given in U.S. inches  
1 inch = 25.4 mm

# REPAIR PARTS

TRACTOR - - MODEL NUMBER WE1338A, PRODUCT NUMBER 954 56 93-56  
STEERING



steering\_pl.lt\_42



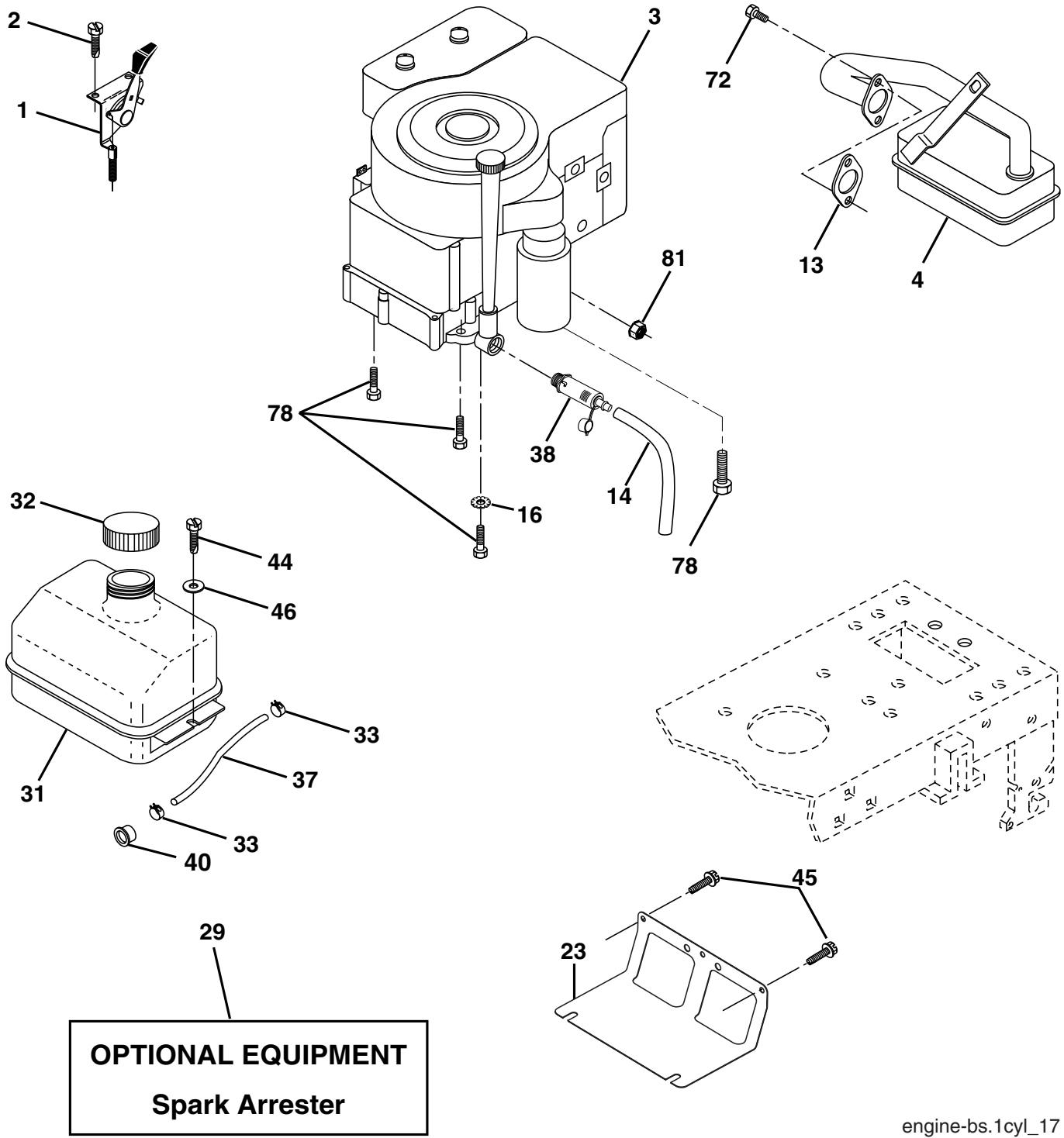
**REPAIR PARTS****TRACTOR - - MODEL NUMBER WE1338A, PRODUCT NUMBER 954 56 93-56  
STEERING**

| <b>KEY<br/>NO.</b> | <b>PART<br/>NO.</b> | <b>DESCRIPTION</b>              |
|--------------------|---------------------|---------------------------------|
| 1                  | 140044X428          | Wheel Steering                  |
| 2                  | 175131              | Axle Asm                        |
| 3                  | 169840              | Spindle Asm LH                  |
| 4                  | 169839              | Spindle Asm RH                  |
| 5                  | 6266H               | Bearing Race Thrust Harden      |
| 6                  | 121748X             | Washer 25/32 x 1-5/8 x 16 Ga    |
| 7                  | 19272016            | Washer 27/32 x 1-1/4 x 16 Ga    |
| 8                  | 12000029            | Ring Klip #15304-75             |
| 9                  | 3366R               | Bearing Col Strg Blk            |
| 10                 | 175121              | Link Drag                       |
| 11                 | 10040600            | Washer Lock Hvy Hlcl Spr 3/8    |
| 12                 | 73940800            | Nut Hex Jam Toplock 1/2-20      |
| 13                 | 136518              | Spacer earing Axle Front        |
| 15                 | 145212              | Hexflange Lock                  |
| 17                 | 180641              | Shaft Asm Strg                  |
| 26                 | 126847X             | Bushing Link Drag Blk LR        |
| 28                 | 19131416            | Washer 13/32 x 7/8 x 16 Ga      |
| 29                 | 17060612            | Screw 3/8-16 x 3/4              |
| 30                 | 76020412            | Pin Cotter 1/8 x 3/4 Cad        |
| 32                 | 130465              | Rod Tie Wire Form 19 75 Mech    |
| 36                 | 155099              | Bushing Strg 5/8 Id Dash        |
| 37                 | 152927              | Screw                           |
| 38                 | 140045X428          | Cap Wheel Steer Ayp             |
| 39                 | 19183812            | Washer 9/16 x 2-3/8             |
| 40                 | 7810H               | Nut Lock Center 3/8-24un        |
| 41                 | 100711L             | Adaptor Wheel Strg              |
| 42                 | 145054X428          | Boot Dash Mtl Steering Blk      |
| 43                 | 121749X             | Washer 25/32 x 1 1/4 x 16 Ga    |
| 44                 | 180640              | Extension Steering              |
| 46                 | 121232X             | Cap Spindle Fr Top Blk          |
| 47                 | 183226              | Fitting Grease                  |
| 51                 | 73540400            | Nut 1/4-28                      |
| 54                 | 71130420            | Bolt Hex 1/4-28 x 1-1/4         |
| 65                 | 160367              | Spacer Brace Axle               |
| 67                 | 72140618            | Bolt Fin Hex 5/8-11 Unc x 2-3/4 |
| 68                 | 169827              | Brace Axle                      |
| 71                 | 175146              | Steering Asm.                   |
| 82                 | 169835              | Bracket Susp Chassis Front      |
| 85                 | 133835              | Fastener Christmas Tree         |
| 88                 | 175118              | Bolt Shoulder 7/16-20           |
| 91                 | 175553              | Clip Steering                   |

**NOTE:** All component dimensions given in U.S. inches  
1 inch = 25.4 mm.

# REPAIR PARTS

TRACTOR - - MODEL NUMBER WE1338A, PRODUCT NUMBER 954 56 93-56  
ENGINE



**OPTIONAL EQUIPMENT**  
**Spark Arrester**

engine-bs.1cyl\_17

## REPAIR PARTS

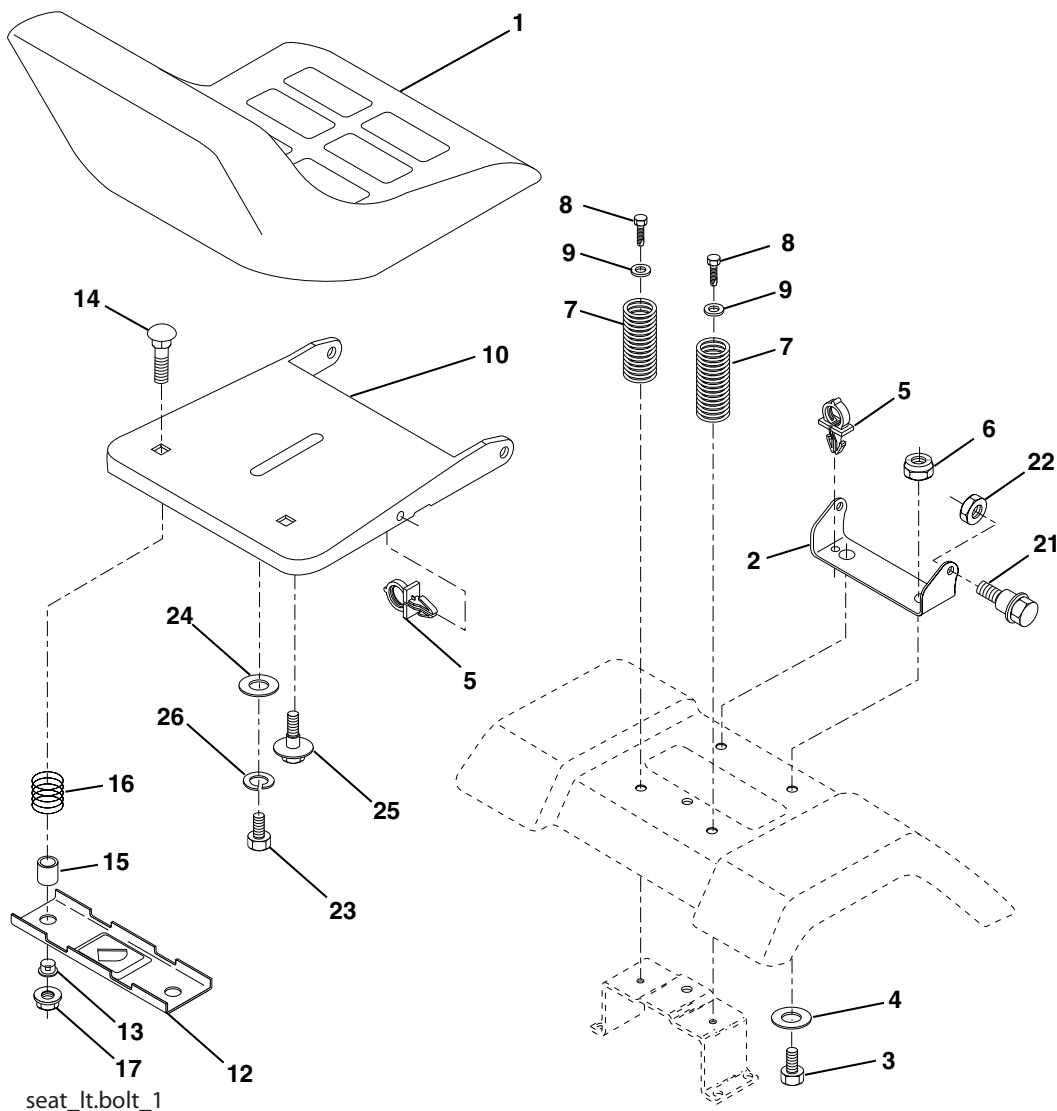
TRACTOR - - MODEL NUMBER WE1338A, PRODUCT NUMBER 954 56 93-56  
ENGINE

| KEY NO. | PART NO. | DESCRIPTION  |
|---------|----------|--|
| 1       | 170551   | Control Th/ch Flag   |
| 2       | 17720408 | Screw Hex Thd Cut 1/4-20 x 1/2                               |
| 3       | -----    | Engine, B&S 21A807<br>(Order parts from engine manufacturer) |
| 4       | 179758   | Muffler Exhaust B&S  |
| 13      | 165291   | Gasket Eng 1 313 Id Tin Plated                               |
| 14      | 148456   | Tube Drain Oil Easy  |
| 16      | 11050600 | Washer Lock Ext Tooth 3/8                                    |
| 23      | 169837   | Shield BRN/DBR Guard   |
| 29      | 137180   | Kit Spark Arrestor (Flat Scrn)                               |
| 31      | 184900   | Tank Fuel Front  |
| 32      | 140527   | Cap Asm Fuel   |
| 33      | 123487X  | Clamp Hose   |
| 37      | 137040   | Line Fuel 20"  |
| 38      | 181654   | Plug Drain Oil   |
| 40      | 124028X  | Bushing Snap Nyl Blk Fuel Line                               |
| 44      | 17670412 | Screw Thdrol 1/4-20 x 3/4                                    |
| 45      | 17000612 | Screw Hex Wsh Thdrol 3/8-16                                  |
| 46      | 19091416 | Washer 9/32 X 7/8 x 16 Ga                                    |
| 72      | 183906   | Screw Socket Head 5/16-18 x 1                                |
| 78      | 17060620 | Screw 3/8-16 x 1-1/4   |
| 81      | 73510400 | Nut Keps Hex 1/4-20 Unc                                      |

**NOTE:** All component dimensions given in U.S. inches  
1 inch = 25.4 mm

# REPAIR PARTS

TRACTOR - - MODEL NUMBER WE1338A, PRODUCT NUMBER 954 56 93-56  
SEAT



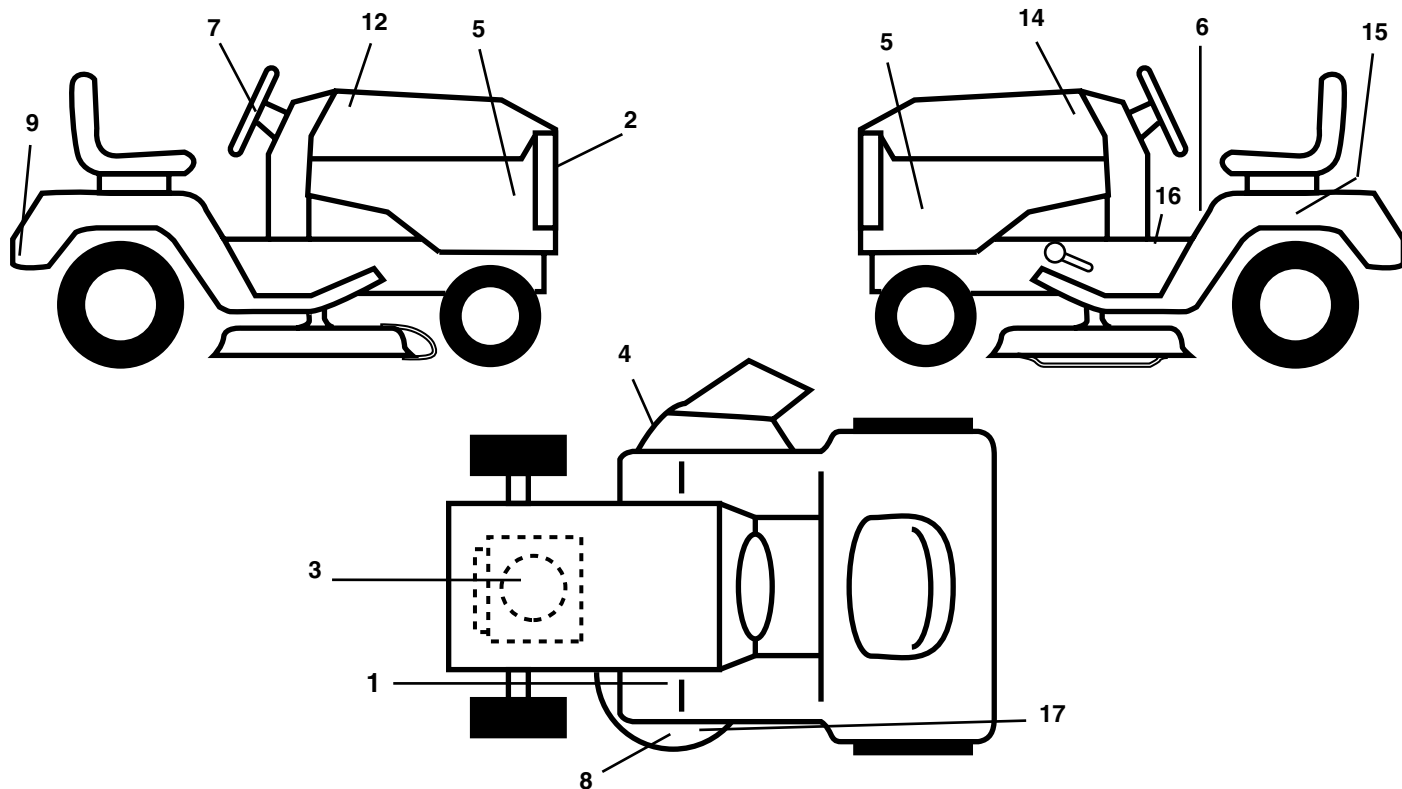
| KEY NO. | PART NO. | DESCRIPTION                    |
|---------|----------|--------------------------------|
| 1       | 127426X  | Seat                           |
| 2       | 140551   | Bracket Seat Pivot             |
| 3       | 71110616 | Bolt Hex 3/8 - 16 x 1          |
| 4       | 19131610 | Washer 3/32 x 1 x 10Ga.        |
| 5       | 145006   | Clip Push-In Hinged            |
| 6       | 73800600 | Nut Lock Hex w/Ins 3/8 - 16    |
| 7       | 124181X  | Spring Seat Cprsn 2 250 Blk Zi |
| 8       | 17000616 | Screw 3/8-16 x 1.5             |
| 9       | 19131614 | Washer 13/32 x 1 x 14 Ga       |
| 10      | 182493   | Pan Pnt Seat (Blk)             |
| 12      | 121246X  | Bracket Pnt Mounting Switch    |
| 13      | 121248X  | Bushing Snap Blk Nyl           |

| KEY NO. | PART NO. | DESCRIPTION                        |
|---------|----------|------------------------------------|
| 14      | 72050412 | Bolt Rdhd Sht Nk 1/4 - 20 x 1 -1/2 |
| 15      | 134300   | Spacer Split .28 x .96             |
| 16      | 121250X  | Spring Cprsn                       |
| 17      | 123976X  | Nut Lock 1/4 Lge Flg               |
| 21      | 171852   | Bolt Shoulder 5/16-18 Unc-2A       |
| 22      | 73800500 | Nut Lock Hex w/Ins 5/16 - 18       |
| 23      | 71110814 | Bolt Hex                           |
| 24      | 19171912 | Washer 17/32 x 1-3/16 x 12 Ga      |
| 25      | 127018X  | Bolt Shoulder 5/16-18 x .62        |
| 26      | 10040800 | Washer Lock Hvy Hlcl Spr 1/2       |

**NOTE:** All component dimensions given in U.S. inches  
1 inch = 25.4 mm.

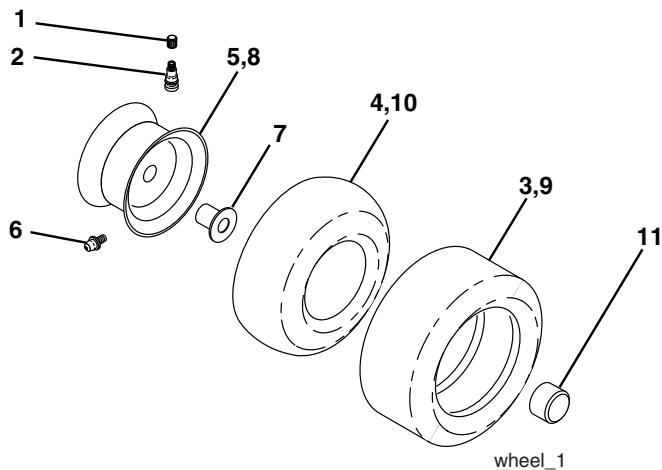
# REPAIR PARTS

TRACTOR - - MODEL NUMBER WE1338A, PRODUCT NUMBER 954 56 93-56  
DECALS



| KEY NO. | PART NO. | DESCRIPTION                  | KEY NO. | PART NO. | DESCRIPTION                     |
|---------|----------|------------------------------|---------|----------|---------------------------------|
| 1       | 181251   | Decal, Clutch/Brake Eng/Fr   | 9       | 171448   | Decal Fender                    |
| 2       | 162392   | Decal, Grille                | 12      | 162389   | Decal, Hood RH                  |
| 3       | 184766   | Decal, Engine HP             | 14      | 162390   | Decal, Hood LH                  |
| 4       | 170563   | Decal Warning                | 15      | 145005   | Decal, Caution, Battery         |
| 5       | 164424   | Decal, Side Panel            | 16      | 157163   | Decal, Oper Sdl P/L Gear Dr Eng |
| 6       | 157140   | Decal, Fender Danger English | 17      | 136832   | Decal, V-Belt Sch.              |
| 7       | 162398   | Decal Ins Str Wh             | --      | 138311   | Decal, Handle Lft Height Adj.   |
| 8       | 162391   | Decal, Deck                  | --      | 184404   | Manual, Owner's English         |
|         |          |                              | --      | 184405   | Manual, Owner's French          |

## WHEELS & TIRES

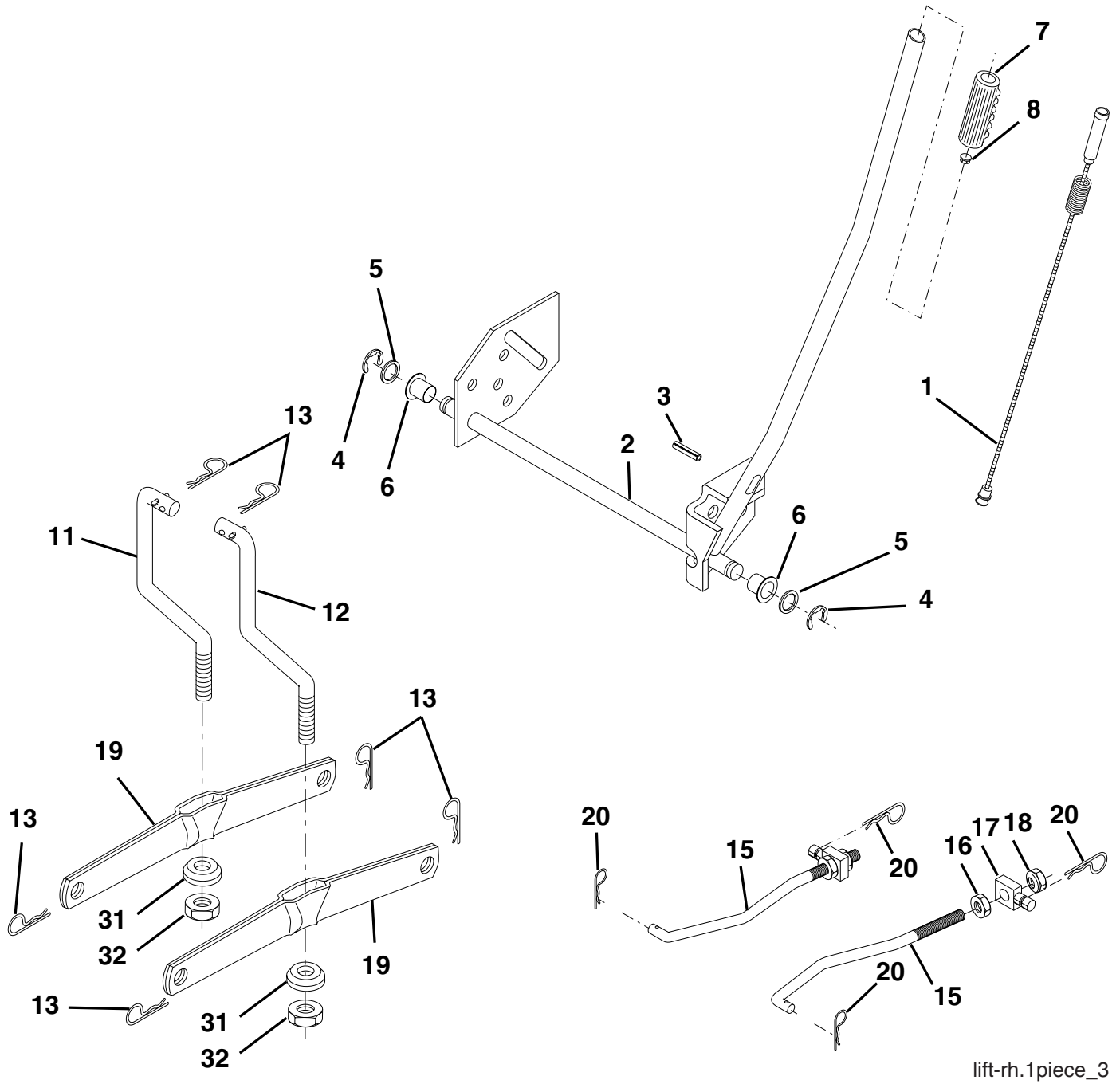


| KEY NO. | PART NO.   | DESCRIPTION                        |
|---------|------------|------------------------------------|
| 1       | 59192      | Cap, Tire valve                    |
| 2       | 65139      | Stem, Valve                        |
| 3       | 106222X    | Tire, Front                        |
| 4       | 59904      | Tube, Front (Service item only)    |
| 5       | 106732X624 | Rim assembly, 6"front              |
| 6       | 278H       | Fitting, Grease (Front wheel only) |
| 7       | 9040H      | Bearing, Flange (Front wheel only) |
| 8       | 106108X624 | Rim assembly, 8" rear              |
| 9       | 124635X    | Tire, Rear                         |
| 10      | 7152J      | Tube, Rear (Service item only)     |
| 11      | 104757X428 | Cap, Hub Axle                      |
| --      | 144334     | Sealant, Tire (10 oz. Tube)        |

**NOTE:** All component dimensions given in U.S. inches  
1 inch = 25.4 mm

# REPAIR PARTS

TRACTOR - - MODEL NUMBER WE1338A, PRODUCT NUMBER 954 56 93-56  
MOWER LIFT



lift-rh.1piece\_3

## REPAIR PARTS

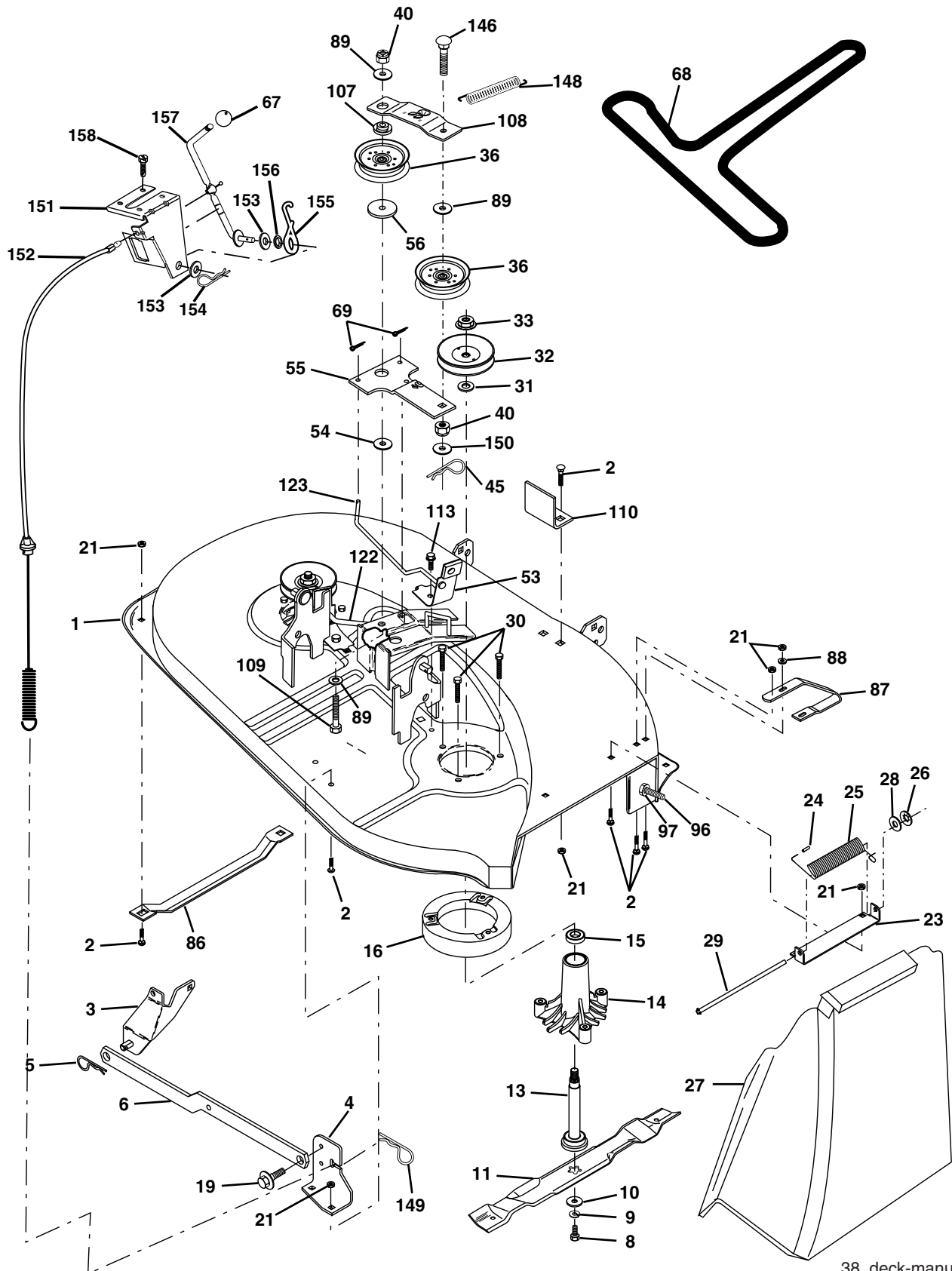
TRACTOR - - MODEL NUMBER WE1338A, PRODUCT NUMBER 954 56 93-56  
MOWER LIFT

| KEY NO. | PART NO. | DESCRIPTION                   |
|---------|----------|-------------------------------|
| 1       | 159460   | Wire Asm Inner/Sprg w/plunger |
| 2       | 159471   | Shaft Asm Lift RH             |
| 3       | 105767X  | Pin Groove 1 500 Zinc         |
| 4       | 12000002 | E Ring #5133-62               |
| 5       | 19211621 | Washer 21/32 x 1 x 21 Ga      |
| 6       | 120183X  | Bearing Nylon Blk 629 Id      |
| 7       | 109413X  | Grip Handle Bicycle Matte Blk |
| 8       | 124526X  | Button Plunger Black          |
| 11      | 139865   | Link Lift LH Fixed Length     |
| 12      | 139866   | Link Lift RH Fixed Length     |
| 13      | 4939M    | Retainer Spring               |
| 15      | 173288   | Link Front                    |
| 16      | 73350800 | Nut Jam Hex 1/2-13 Unc        |
| 17      | 175689   | Trunnion                      |
| 18      | 73800800 | Nut Lockw/Wsh 1/2-13 Unc      |
| 19      | 139868   | Arm Suspension Rear           |
| 20      | 163552   | Retainer, Spring              |
| 31      | 169865   | Bearing Pvt Lift              |
| 32      | 73540600 | Nut Crownlock 3/8-24          |

**NOTE:** All component dimensions given in U.S. inches  
1 inch = 25.4 mm.

# REPAIR PARTS

TRACTOR - - MODEL NUMBER WE1338A, PRODUCT NUMBER 954 56 93-56  
MOWER DECK



38\_deck-manual\_



**REPAIR PARTS****TRACTOR - - MODEL NUMBER WE1338A, PRODUCT NUMBER 954 56 93-56  
MOWER DECK**

| <b>KEY NO.</b> | <b>PART NO.</b> | <b>DESCRIPTION</b>   | <b>KEY NO.</b> | <b>PART NO.</b> | <b>DESCRIPTION</b>   |
|----------------|-----------------|--|----------------|-----------------|--|
| 1              | 170280          | Mower Housing Assembly   | 54             | 178515          | Washer, Hardened   |
| 2              | 72140506        | Bolt Carriage 5/16-18 x 3/4                                    | 55             | 133840          | Idler Arm Assembly   |
| 3              | 138017          | Bracket Asm Fr. Sway Bar                                       | 56             | 165723          | Spacer, Retainer   |
| 4              | 169970          | Bracket Deck Sway Bar 38"/42"                                  | 67             | 106932X         | Knob   |
| 5              | 4939M           | Retainer Spring  | 68             | 144200          | V-Belt, 42" Mower  |
| 6              | 178024          | Bar Sway Deck  | 69             | 76020312        | Pin, Cotter 3/32 x 3/4   |
| 8              | 850857          | Bolt 3/8-24 x 1.25 Grade 8                                     | 86             | 7631J           | Runner, LH   |
| 9              | 10030600        | Washer, Lock 3/8   | 87             | 128772          | Runner, RH   |
| 10             | 140296          | Washer, Hardened<br>(The following blades are available)       | 88             | 19111216        | Washer 11/32 x 3/4 x 16 Ga   |
| 11             | <b>134148</b>   | Blade, 38" Mulching Std<br>(For mulching mowers only)          | 89             | 19131612        | Washer 13/32 x 1 x 12 Ga.  |
| --             | <b>139774</b>   | Blade, 38" Mulching Premium<br>(For better wear when mulching) | 96             | 74930620        | Bolt 3/8-16 x 1-1/4 Mulcher  |
| --             | <b>138497</b>   | Blade, 38" Hi-Lift<br>(For bagging or discharging)             | 97             | 73930600        | Nut Centerlock 3/8-16 Unc  |
| 13             | 137645          | Shaft Assembly, Mandrel, Vented<br>(Includes Key Number 6)     | 107            | 133502          | Spacer Retainer  |
| 14             | 128774          | Housing, Mandrel, Vented                                       | 108            | 133503          | Stiffener, Idler Arm   |
| 15             | 110485X         | Bearing, Ball, Mandrel   | 109            | 74760640        | Bolt, Hex Hd 3/8-16 x 2-1/2  |
| 16             | 174493          | Stripper, Vented Mower Deck                                    | 110            | 142587          | Upstop Deck Front 38"  |
| 19             | 132827          | Bolt, Shoulder   | 113            | 17060512        | Screw 5/16-1/ x 3/4  |
| 21             | 73680500        | Nut  | 122            | 131289          | Rod, Brake LH  |
| 23             | 137607          | Bracket, Mower Deflector                                       | 123            | 169971          | Rod, Brake RH  |
| 24             | 105304X         | Cap, Sleeve  | 146            | 165891          | Bolt Carriage Idler  |
| 25             | 123713X         | Spring, Torsion, Deflector                                     | 148            | 169022          | Spring Return Idler  |
| 26             | 110452X         | Nut, Push  | 149            | 165898          | Retainer Spring Yellow   |
| 27             | 106736X428      | Shield, Deflector  | 150            | 19091216        | Washer 9/32 x 3/4 x 16 Ga.   |
| 28             | 19111016        | Washer 11/32 x 5/8 x 16 Gauge                                  | 151            | 169670          | Bracket Clutch Cable   |
| 29             | 106735X         | Rod, Hinge   | 152            | 172758          | Clutch Cable 38"/46"   |
| 30             | 173984          | Screw Thdrol.  | 153            | 169674          | Washer Flat 3/8" Type B  |
| 31             | 129963          | Washer, Spacer   | 154            | 169675          | Spring Retainer  |
| 32             | 153532          | Pulley, Mandrel  | 155            | 169671          | Spring Retention LVR CLTCH<br>CAB  |
| 33             | 178342          | Nut, Toplock   | 156            | 169672          | Spacer Clutch Cable  |
| 36             | 131494          | Pulley, Idler, Flat  | 157            | 169669          | Rod Clutch Cable 3/8"  |
| 40             | 73680600        | Nut, Crownlock 3/8-16 Unc                                      | 158            | 17720408        | Screw Hex Thd Cut 1/4-20 x 1/2   |
| 45             | 4497H           | Retainer   | --             | 130794          | Mandrel Assembly (Includes<br>Housing, Shaft and Shaft Hard-<br>ware Only - Pulley Not Included) |
| 53             | 130840          | Brake Assembly   | --             | 170317          | Replacement Mower, Complete  |

**NOTE:** All component dimensions given in U.S. inches  
1 inch = 25.4 mm