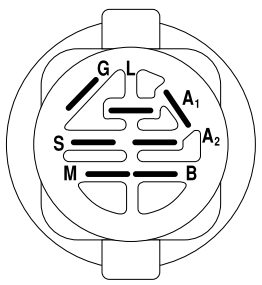
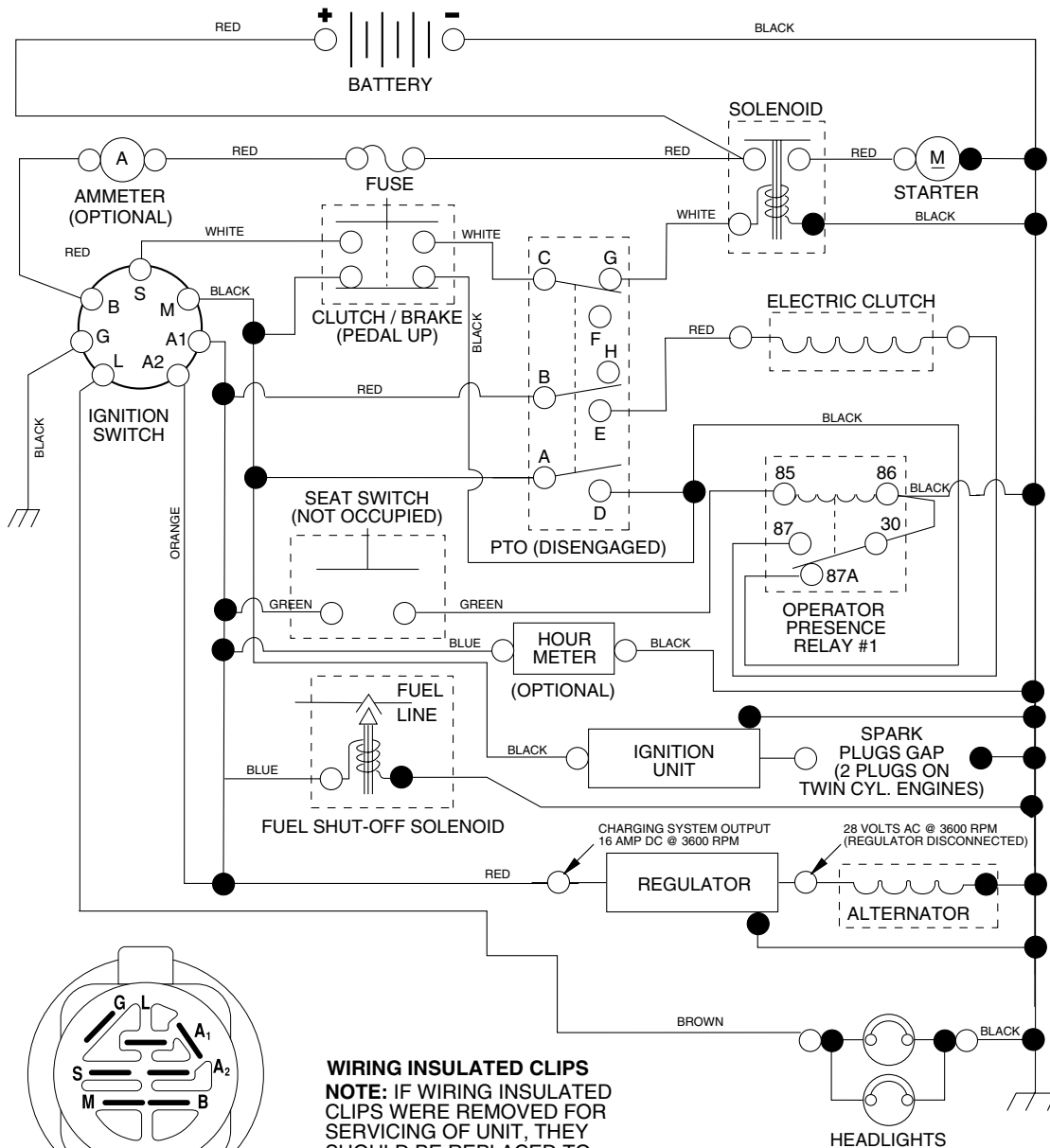


**TRACTOR - MODEL NUMBER WAGT20H48STA PRODUCT NO. 954 56 83-28
SCHEMATIC**



IGNITION SWITCH

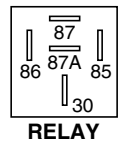
POSITION	CIRCUIT	"MAKE"
OFF	M+G+A1	NONE
RUN/LIGHT	B+A1	A2+L
RUN	B+A1	NONE
START	B + S + A1	NONE

WIRING INSULATED CLIPS
NOTE: IF WIRING INSULATED CLIPS WERE REMOVED FOR SERVICING OF UNIT, THEY SHOULD BE REPLACED TO PROPERLY SECURE YOUR WIRING.

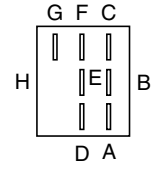
PTO SWITCH

POSITION	CIRCUIT
OFF	C + G, B + H
ON	C + F, B + E, A + D

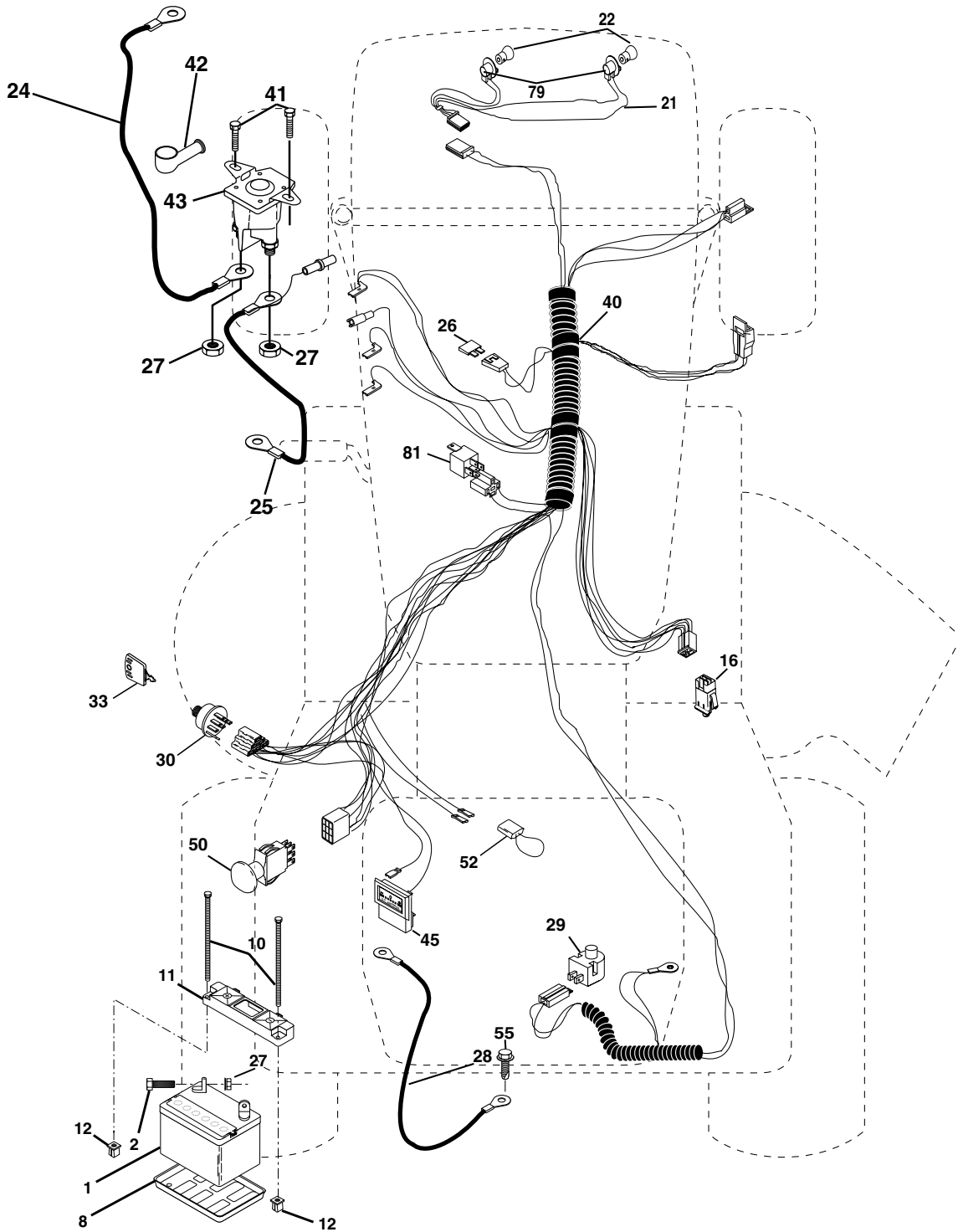
● NON-REMOVABLE CONNECTIONS
○ REMOVABLE CONNECTIONS



RELAY



**TRACTOR - MODEL NUMBER WAGT20H48STA PRODUCT NO. 954 56 83-28
ELECTRICAL**

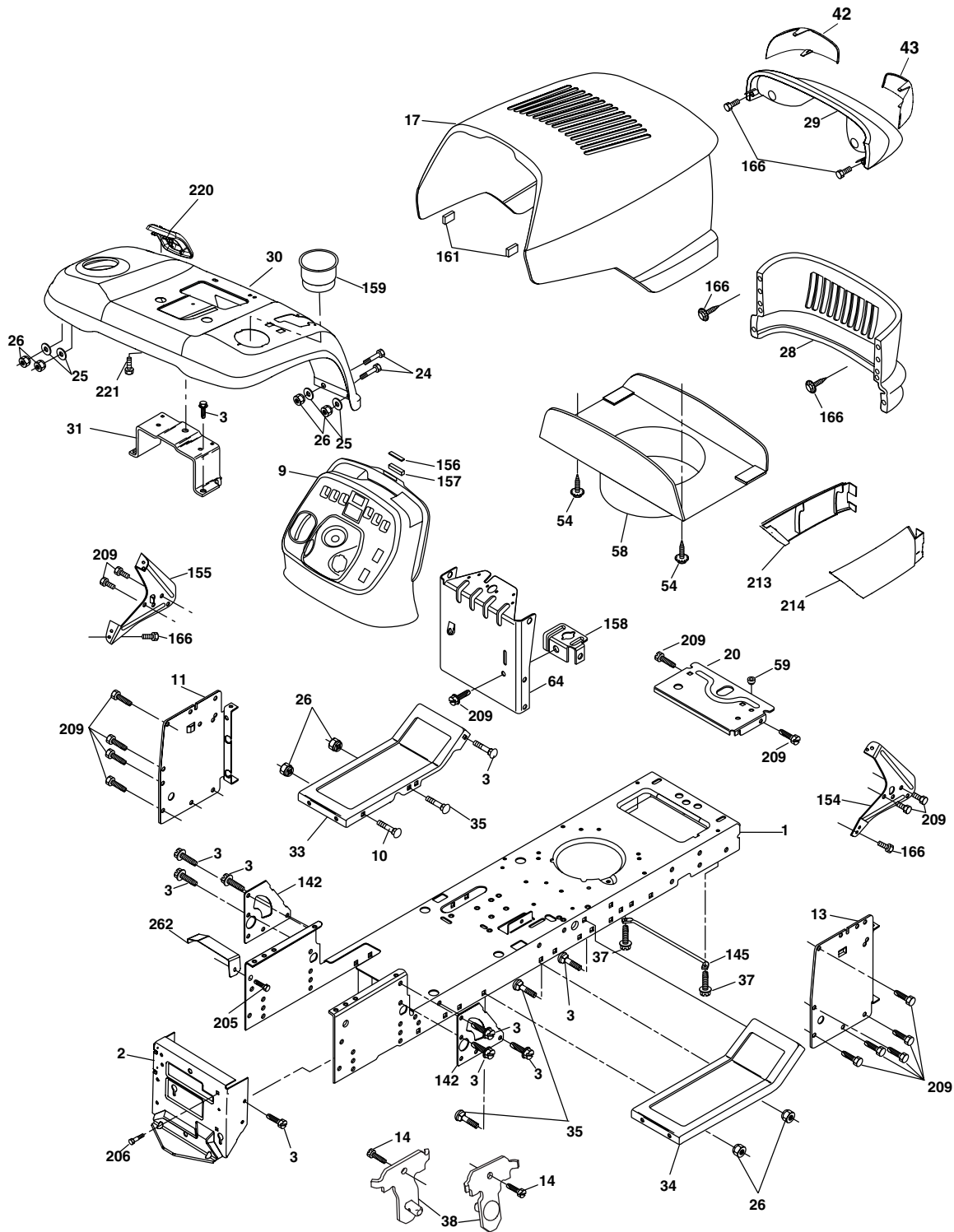


**TRACTOR - MODEL NUMBER WAGT20H48STA PRODUCT NO. 954 56 83-28
ELECTRICAL**

KEY PART NO.	PART NO.	DESCRIPTION
1	144927	Battery
2	74760412	Bolt Hex Hd 1/4-20 UNC X 3/4
8	7603J	Tray, Battery
10	145211	Bolt, BTR FRT 1/4-20 x 7.5
11	150109	Hold Down Battery, Front
12	145769	Nut, Push, Nylon
16	176138	Switch Interlock Push-In
21	175688	Harness Asm Light W/4152j
22	4152J	Bulb Light
24	8860R	Cable Battery
25	146148	Cable Batterywire
26	175158	Fuse
27	73510400	Nut Keps Hex 1/4-20 Unc
28	145491	Cable Ground
29	160784	Switch Plunger Normal OP Olive
30	175566	Switch Ign 4 pos w/lights
33	140401	Key Ign
40	186845	Harness Ign.
41	17720408	Bolt Blk Fin Hex 1/4-20 x 1/2
42	131563	Cover Terminal Red
43	178861	Solenoid
45	122822X	Ammeter Rectangular
50	174651	Switch, PTO
52	141940	Protection wire Loop (Hour Meter)
55	17490508	Screw Thdrol 5/16-18 x 1/2
79	175242	Socket Asm
81	109748X	Relay Asm

NOTE: All component dimensions given in U.S. inches.
1 inch = 25.4 mm.

TRACTOR - MODEL NUMBER WAGT20H48STA PRODUCT NO. 954 56 83-28
CHASSIS AND ENCLOSURES

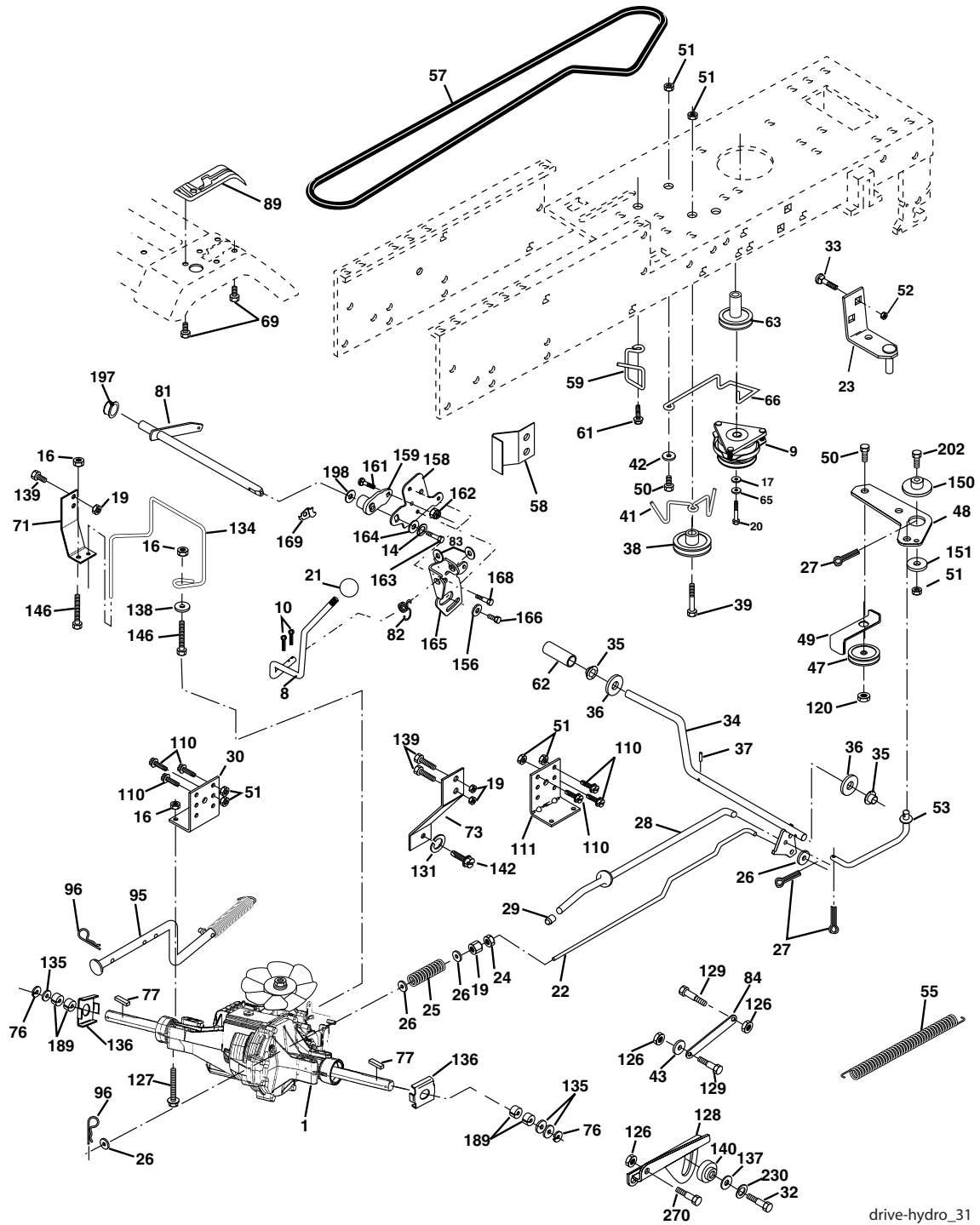


**TRACTOR - MODEL NUMBER WAGT20H48STA PRODUCT NO. 954 56 83-28
CHASSIS AND ENCLOSURES**

KEY NO.	PART NO.	DESCRIPTION
1	174619	Chassis
2	176554	Drawbar
3	17060612	Screw 3/8-16x3/4
9	163976X428	Dash
11	167203	Panel Dash Lh
13	178298	Panel Dash Rh
14	17490608	Screw Thdrol 3/8-16 x 1/2
17	175259X603	Hood
20	162026	Plate Battery
24	74780616	Bolt Fin Hex 3/8-16unc x 1 Gr. 5
25	19131312	Washer 13/32 X 13/16 X 12 Ga
26	73800600	Nut Lock Hex W/Ins 3/8-16 Unc
28	175289X428	Grille
29	179763	Light Box Asm W/Lens
30	179775X603	Fender
31	183569	Bracket Fender
33	179716X603	Footrest LH
34	179717X603	Footrest RH
35	72110606	Bolt RDHD SHT SQNK 3/8-16 x 3/4
37	17490508	Screw Thdrol 6/16-18 x 1/2 TYT
38	175710	Bracket, Asm. Pivot Mower Rear
42	161841	Lens LH
43	161842	Lens RH
54	161464	Screw Hex Wshd 8-18 x 7/8
58	161236	Duct Hood
59	177579	Bushing Snap
64	174997	Dash Lower
142	175702	Plate Reinforcement STLT
145	156524	Rod Pivot Chassis/Hood
154	161897	Bracket Dash Rh
155	161900	Bracket Dash Lh
156	163805	Striker Plate
157	163806	Magnet Stealth
158	162037	Bracket Parking Brake
159	179125X428	Cupholder
161	164655	Extrusion Bumper
166	171875	Screw HwHd Hi-Lo #13-16 x 3/4
205	17490608	Screw Thdrol 3/8-16 x 1/2
206	170165	Bolt Shoulder 5/16-18
209	17000612	Screw Hexwsh Thdrol 3/8-16 x 3/4
213	169848X428	Skirt Grille Lh
214	169847X428	Skirt Grille Rh
220	179612X428	Console Fuel Window
262	183554	Bracket Support Tank

NOTE: All component dimensions given in U.S. inches
1 inch = 25.4 mm

TRACTOR - MODEL NUMBER WAGT20H48STA PRODUCT NO. 954 56 83-28
GROUND DRIVE



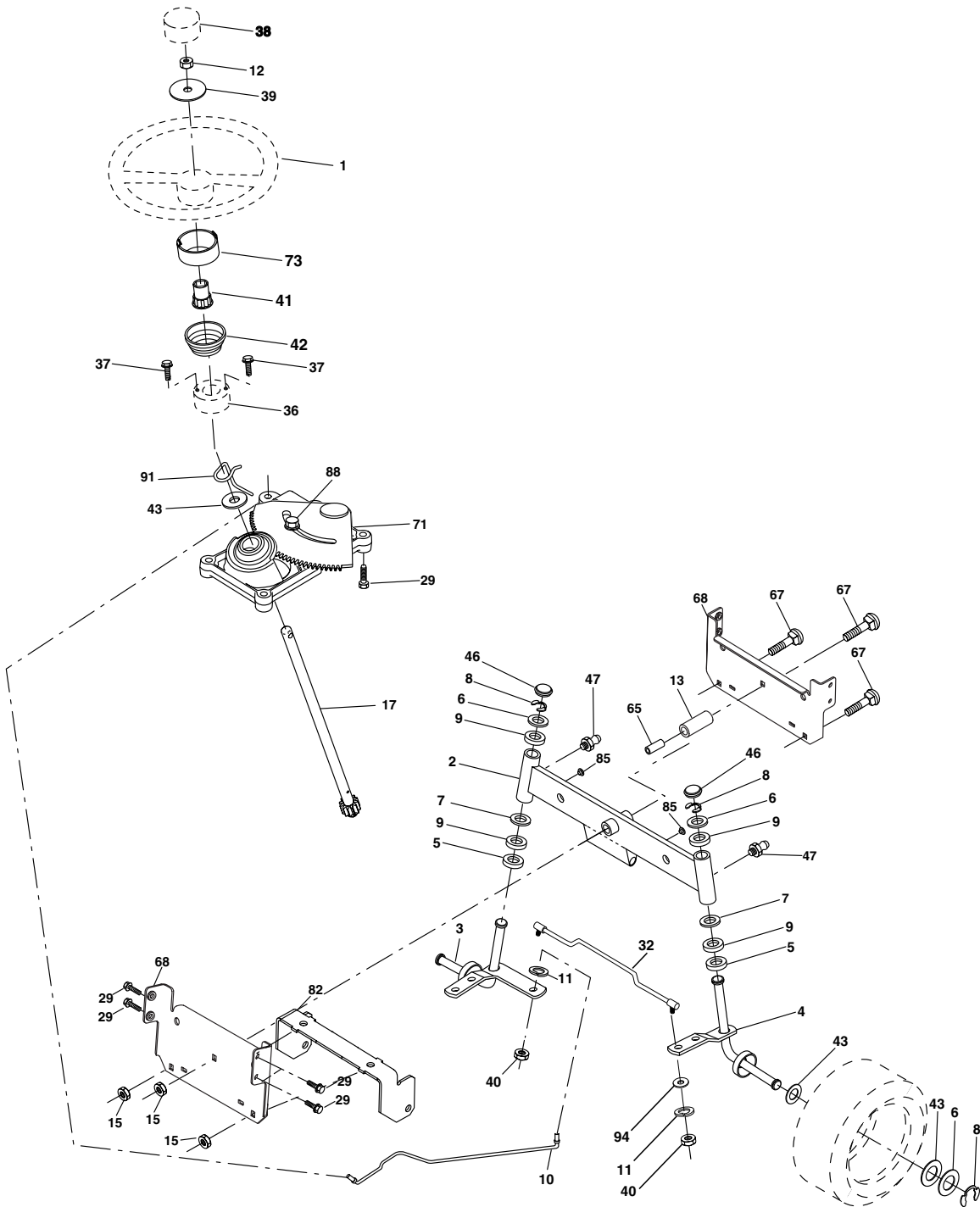
drive-hydro_31

**TRACTOR - MODEL NUMBER WAGT20H48STA PRODUCT NO. 954 56 83-28
GROUND DRIVE**

KEY NO.	PART NO.	DESCRIPTION	KEY NO.	PART NO.	DESCRIPTION
1	-----	Transaxle, Hydro Gear Model 333-3000 (Order parts from transaxle manufacturer)	76	12000053	E-Ring
8	166020	Rod Shift Fender Adjust Yt	77	9396E	Key Square 1/4 x 2
9	174367	Clutch Electric	81	165598	Shaft Asm Cross Tapered
10	76020416	Pin, Cotter 1/8 x 1	82	165711	Spring, Torsion
14	10040400	Washer Lock Hvy Helical	83	19171216	Washer 17/32 x 3/4 x 16 Gauge
16	73800500	Nut Lock Hex W/Ins. 5/16-18 Unc	84	165926	Link Transaxle
17	126197X	Washer 1-1/2 OD x 15/32 ID x .250	89	179121X428	Console, Shift
19	73800600	Nut Lock Hex W/Wsh 3/8-16 Unc	95	15858	Control Asm Bypass Hydro-3000
20	173937	Bolt Hex 7/16-20 x 4 x Gr. 5-1.5 THR	96	4497H	Retainer Spring 1" Zinc/Cad
21	140845	Knob	110	74780612	Bolt Fin Hex 3/8-16unc x 3/4 Gr. 5
22	158274	Rod, Brake	111	123776X	Bracket, Transaxle, R.H.
23	178289	Bracket Anti-Rotation	120	73900600	Nut Lock Flg 3/8-16 Unc
24	73350600	Nut, Hex Jam 3/8-16	126	1685H	Nut Lock 5/16-18 Nc Thd
25	106888X	Spring, Rod, Brake	127	74490548	Bolt Hex Flghd 5/16-18 x 3.0 Gr.5
26	19131316	Washer 13/32 x 13/16 x 16 Ga.	128	184902	Bracket Neutral Adjust HG-3000
27	76020412	Pin Cotter 1/8 x 3/4	129	105529X	Bolt Shoulder 5/16-18 Unc
28	175765	Rod, Brake, Park	131	10140500	Washer Lock 5/16
29	71673	Cap, Brake, Parking Black	134	158272	Rod Actuator Bypass Hydro-3000
30	123780X	Bracket, Transaxle, L.H.	135	123800X	Washer 1-1/32 x 1-5/8 x 16 Gauge
32	74780512	Bolt Fin Hex 5/16-18 Unc x 3/4	136	163168X	Washer Axle Flange
33	72140608	Bolt Rdhd Sqnk 3/8-16unc x 1	137	19111212	Washer 11/32 x 3/4 x 12 Ga.
34	175578	Shaft, Foot Pedal	138	19112016	Washer 11/32 x 1.25 x 16. Ga.
35	120183X	Bearing, Nylon	139	74780612	Bolt Fin Hex 3/8-16 x 3/4
36	19211616	Washer 21/32 x 1 x 16 Gauge	140	4475J	Bushing Pinion Sector
37	1572H	Pin, Roll 3/16 x 1	142	74330516	Bolt 5/16 x 24 x 1
38	179114	Idler, Flat	146	74490536	Bolt Hex Flghd 5/16-18 x 2-1/4
39	74760648	Bolt Rdhd 3/8-16 Unc x 3	150	175456	Spacer
41	175556	Keeper, Idler	151	19133210	Washer 13/32 x 2 x 10 Ga.
42	19131312	Washer 13/32 x 16/16 x 12 Gauge	156	166002	Washer Srrted 5/16 ID x 1.125
43	19111012	Bolt Shoulder 5/16-18 Unc	158	165589	Bracket Shift Mount
47	127783	Pulley, Idler	159	165494	Hub Tapered Flange Shift Lt
48	154407	Bellcrank Clutch Grnd Drv Stl	161	72140406	Bolt Rdhd Sqnk 1/4-20 x 3/4 Gr. 5
49	123205X	Retainer, Belt	162	73680400	Nut Crownlock 1/4-20 Unc
50	72110612	Bolt Carr Sh 3/8-16 x 1-1/2 Gr. 5	163	74780416	Bolt Hex Fin 1/4-20unc x 1 Gr. 5
51	73680600	Nut Crownlock 3/8-16	164	19091010	Washer 5/8 x .281 x 10 Ga.
52	145212	Nut Hexflange Lock	165	165623	Bracket Pivot Lever
53	105710X	Link, Clutch	166	166880	Screw 5/16-18 x 5/8
55	105709X	Spring, Return, Clutch	168	165492	Bolt Shoulder 5/16-18 x .561
57	161741	V-Belt, Drive	169	165580	Plate Fastening Lt
58	158278	Keeper, Belt, Transaxle, R.H.	171	17490608	Screw Thdrol 3/8-16 x 1/2 Ty-Tt
59	169691	Keeper, Center Span	189	160849	Washer Spacer Axle
61	17120614	Screw 3/8-16 x .875	197	169613	Nyliner Snap-In 5/8" Id
62	8883R	Cover, Foot Pedal	198	169593	Washer Nyl 7/8 Id x .105
63	175684	Pulley, Engine	230	10040500	Washer Lock Hvy HLCL SPR 5/16
65	10040700	Washer, Lock Hvy Hlcl Spr 7/16	270	74780510	Bolt Hex Head 5/16-18 x 5/8 Gr. 5
66	161488	Keeper Belt Engine F-proof			
69	142432	Screw Hex Wsh Hi-Lo 1/4-1/2 Unc			
71	158283	Strap Torque Lh Hydro-3000			
73	158282	Strap Torque Rh Hydro-300			

NOTE:All component dimensions give in U.S. inches.
1 inch = 25.4 mm

TRACTOR - MODEL NUMBER WAGT20H48STA PRODUCT NO. 954 56 83-28
STEERING ASSEMBLY

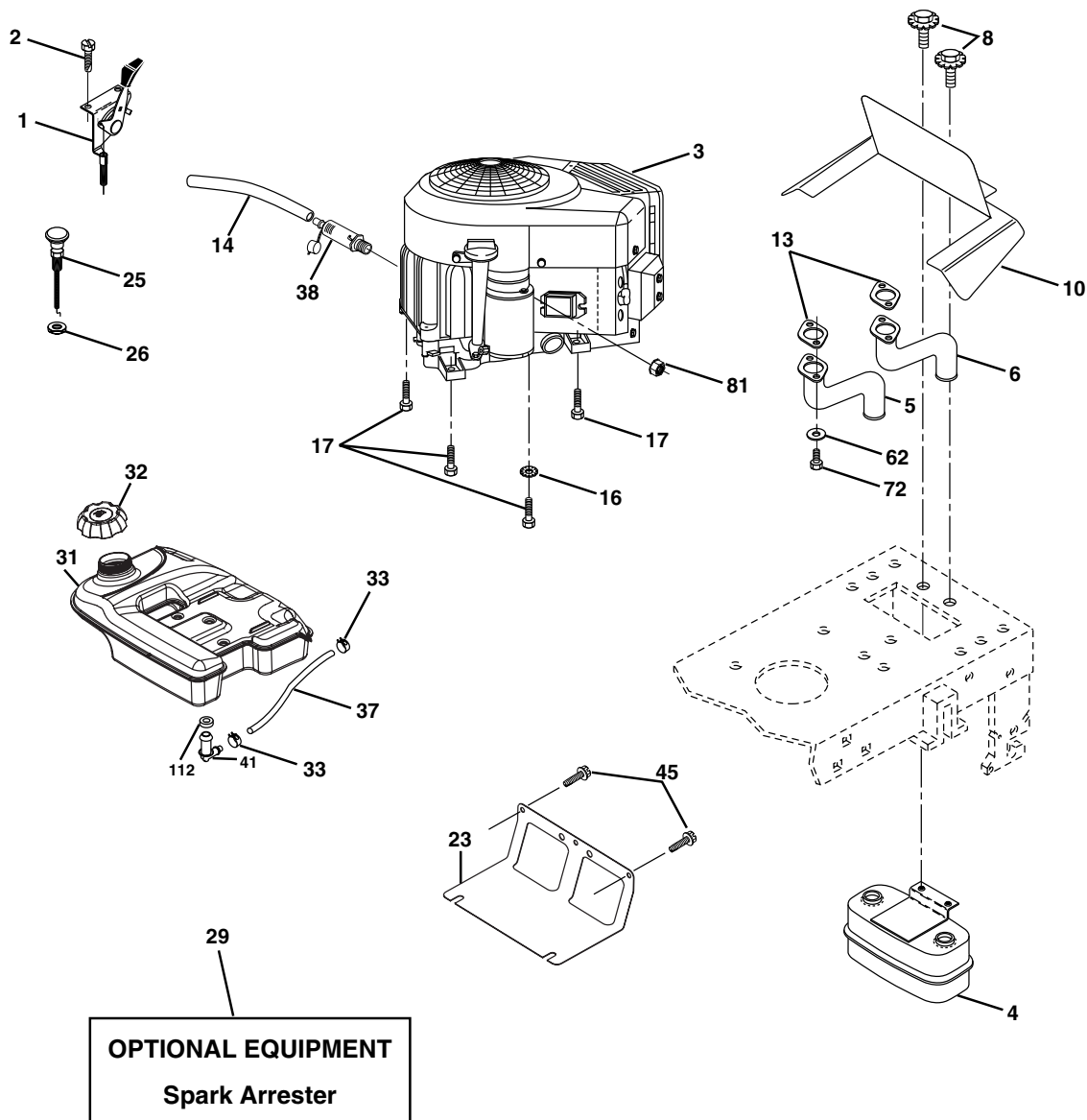


**TRACTOR - MODEL NUMBER WAGT20H48STA PRODUCT NO. 954 56 83-28
STEERING ASSEMBLY**

KEY NO.	PART NO.	DESCRIPTION
1	184704X428	Wheel Steering
2	175131	Axle Welded Asm
3	169840	Spindle Asm LH
4	169839	Spindle Asm RH
5	6266H	Bearing Race Thrust Harden
6	121748X	Washer 25/32 X 1-5/8 X 16 Ga.
7	19272016	Washer 27/32 x 1-1/4 x 16 Ga.
8	12000029	Ring Klip #t5304-75
9	3366R	Bearing Col. Strg.
10	175121	Link Drag
11	10040600	Washer Lock Hvy Hlcl Spr 3/8
12	73940800	Nut Hex Jam Toplock 1/2-20 UNF
13	136518	Spacer Brg Axle Front
15	145212	Nut Hex Flange Lock
17	177883	Shaft Asm Strg
29	17060612	Screw 3/8-16x3/4
32	180580	Rod Tie
36	155105	Bushing Strg
37	152927	Screw TT #32.5 x 5 x 3/8 Flange
38	159946X428	Cap Wheel Steer
39	19182411	Washer 9/16 x 1-1/2 x 11 Ga.
40	7810H	Nut Lock Center 3/8-24 Unf
41	159945	Adaptor Wheel Strg
42	163888X428	Boot Steering
43	121749X	Washer 25/32 X 1 1/4 X 16 Ga.
44	160135X428	Extension Steering
46	121232X	Cap Spindle Fr Top Blk
47	183226	Fitting Grease
65	160367	Spacer Brace Axle
67	72140618	Bolt Rdhd Sqn 3/8-16 x 2-1/4
68	169827	Brace, Axle
71	175146	Steering Asm.
73	160135X428	Extension Steering
82	169835	Bracket Susp Chassis Front
85	133835	Fastner Christmas Tree
88	175118	Bolt Shoulder 7/16-20 Unc
91	175553	Clip
94	19121414	Washer 3/8 x 7/8 x 14 Ga.

NOTE: All component dimensions given in U.S. inches.
1 inch = 25.4 mm.

**TRACTOR - MODEL NUMBER WAGT20H48STA PRODUCT NO. 954 56 83-28
ENGINE**



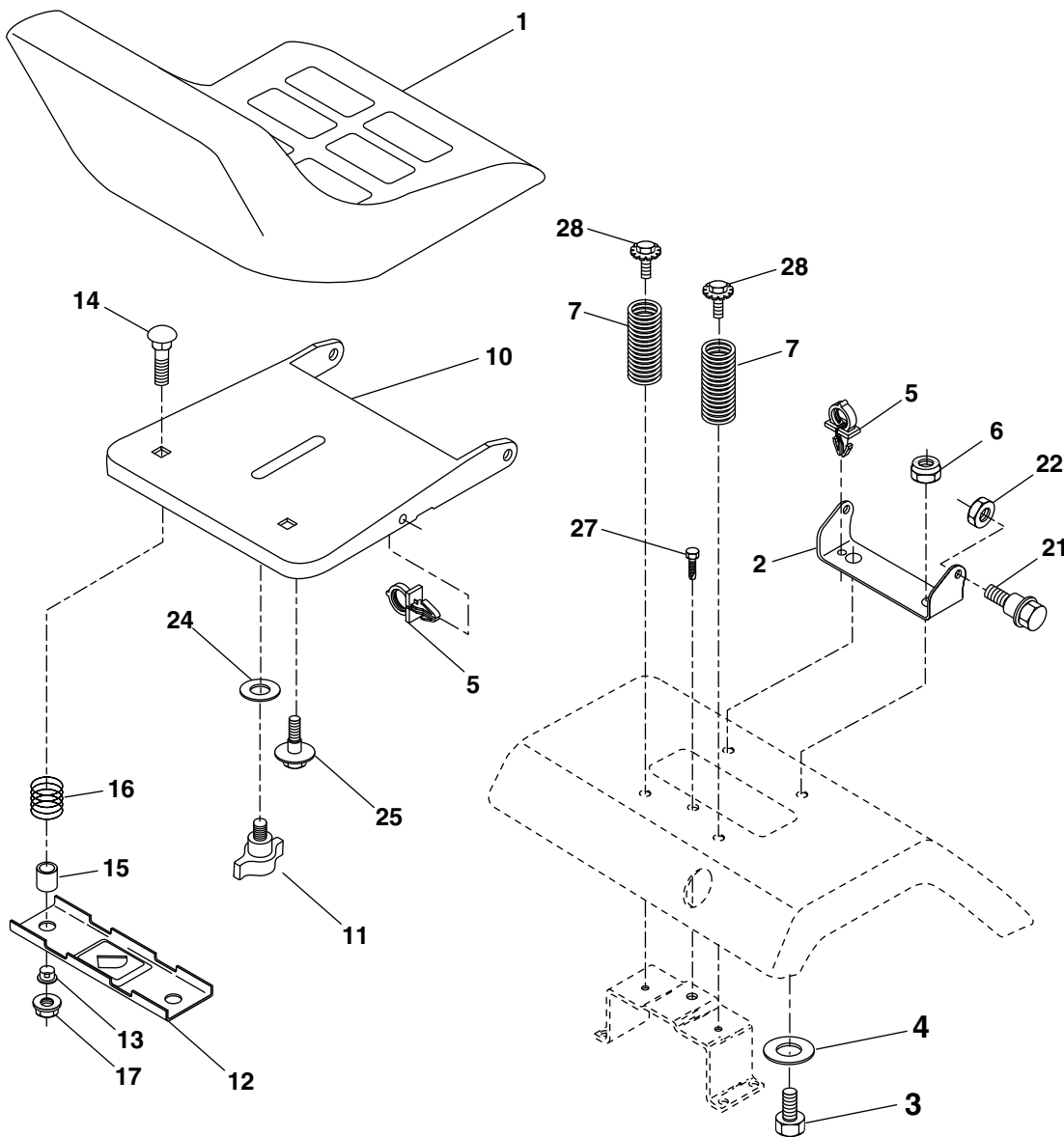
OPTIONAL EQUIPMENT
Spark Arrester

KEY PART NO.	PART NO.	DESCRIPTION
1	175437X428	Control Throttle
2	171875	Screw Hwhd Hi-Lo #13-16 x 3/4
3	-----	Engine, Briggs Model 407777 (Order parts from engine mfg.)
4	149723	Muffler Asm Twin Lo-Tone
5	159955	Pipe Exhaust LH Intek
6	160589	Pipe Exhaust RH Intek
8	171877	Bolt 5/16-18 UNC x 3/4 w/Sems
10	162797	Shield Browning Intek II
13	165391	Muffler Gasket
16	11050600	Washer Lock Ext Tooth 3/8
17	17060624	Screw Thdrol 3/8-16 x 1-1/2
23	169837	Shield Heat
25	175440X428	Choke Control
26	73920600	Nut, Keps 3/8-24 UNF

KEY PART NO.	PART NO.	DESCRIPTION
29	137180	Kit Spark Arrester (Flat Scrn)
31	179115	Tank Fuel 5.0 Rear
32	179124X428	Cap Asm Fuel
33	123487X	Clamp Hose Black
37	8543R	Line Fuel
38	181654	Plug Drain Oil Easy
41	139277	Stem Tank Fuel
45	17000612	Screw Hexwsh Thdr 3/8-16 x 3/4
62	10040500	Washer Lock 5/16
72	71070512	Screw Hex Hd Cap 5/16-18 x 3/4
81	73510400	Nut Keps Hex 1/4-20 UNC
112	3645J	Bushing

NOTE: All component dimensions given in U.S. inches
1 inch = 25.4 mm

TRACTOR - MODEL NUMBER WAGT20H48STA PRODUCT NO. 954 56 83-28 SEAT



KEY PART NO. NO.

DESCRIPTION

1	140118	Seat
2	140551	Bracket Pivot Seat 8 720
3	71110616	Bolt Fin Hex 3/8-16 Unc x 1
4	19131610	Washer Flat 13/32 x 1 x 10 Ga.
5	145006	Clip Push-In
6	73800600	Nut Hex w/Ins. 3/8-16 Unc
7	124181X	Spring Seat Cprsn 2 250 Blk Zi
10	182493	Pan Seat
11	166369	Knob Seat Adj. Wingnut
12	121246X	Bracket Mounting Switch
13	121248X	Bushing Snap Blk Nyl 50 Id
14	72050412	Bolt Rdhd Sqnk 1/4-20x1-1/2

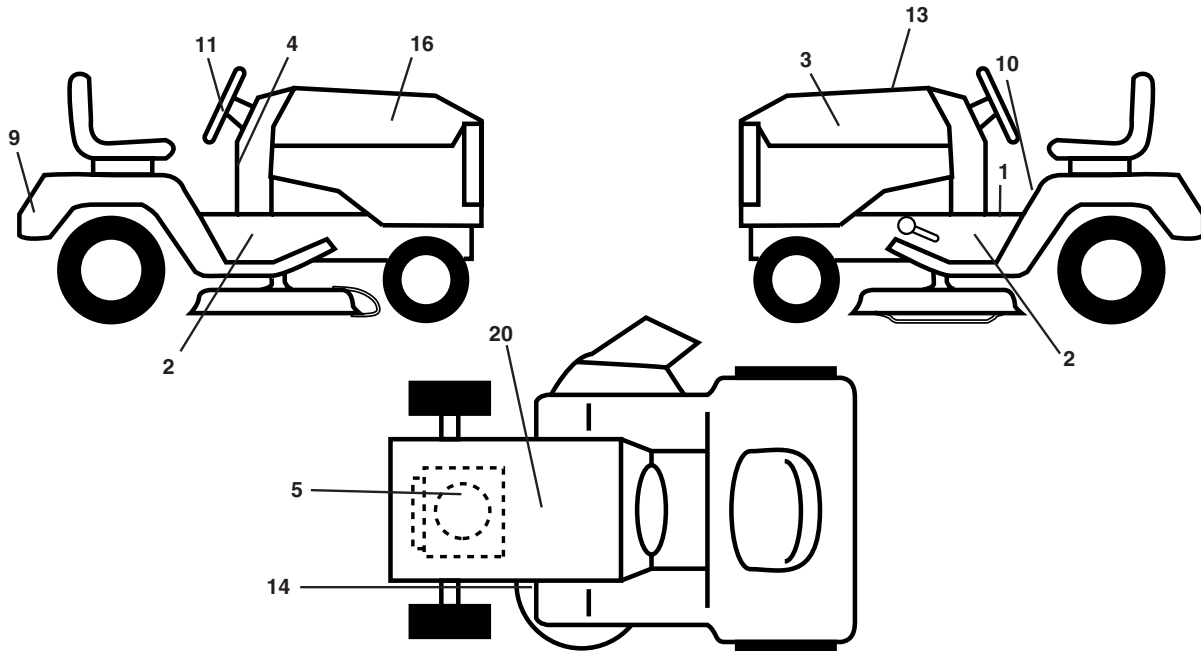
KEY PART NO. NO.

DESCRIPTION

15	121249X	Spacer Split 28x 88
16	123740X	Spring Cprsn
17	123976X	Nut Lock 1/4 Lge Flg Gr 5 Zinc
21	171852	Bolt Shoulder 5/16-18 Unc
22	73800500	Nut Hex Lock W/Ins 5/16-18
24	19171912	Washer 17/32 X 1-3/16 X 12 Ga.
25	127018X	Bolt Shoulder 5/16-18 X 62
27	17490608	Screw Thdrol 3/8-16 x 1/2
28	171877	Bolt 5/16-18unc x 3/4

NOTE: All component dimensions given in U.S. inches
1 inch = 25.4 mm

**TRACTOR - MODEL NUMBER WAGT20H48STA PRODUCT NO. 954 56 83-28
DECAL**



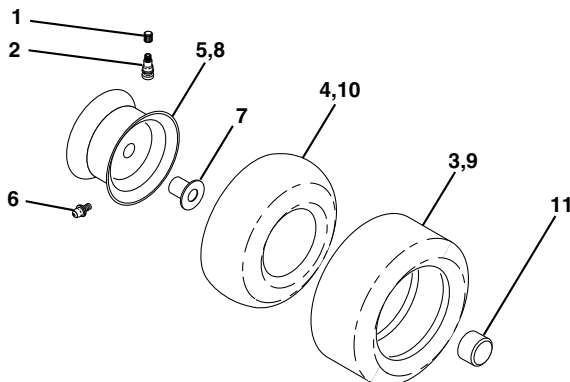
**KEY PART
NO. NO.**

KEY PART NO.	NO.	DESCRIPTION
1	140837	Decal Brake Parking
2	185120	Decal Chassis O/48
3	185119	Decal Hood LH
4	185121	Decal Dash Pop-Out
5	170851	Decal HP Engine
9	184944	Decal Fender Logo
10	156439	Decal Fender Danger
11	184943	Decal Ins Strg Whl
13	185442	Decal Final Replace Part
14	175291	Decal V-Belt Schematic

**KEY PART
NO. NO.**

KEY PART NO.	NO.	DESCRIPTION
16	185118	Decal Hood Rh
20	145005	Decal Bat Dan/Psn
--	166960	Decal By Pass
--	179768X428	Pad Footrest Lh
--	138311	Decal Handle Lft Height Adjust
--	179769X428	Pad Footrest Rh
--	181249	Decal Footrest
--	184552	Manual Owner's (English)
--	184553	Manual Owner's (Span)

WHEELS & TIRES

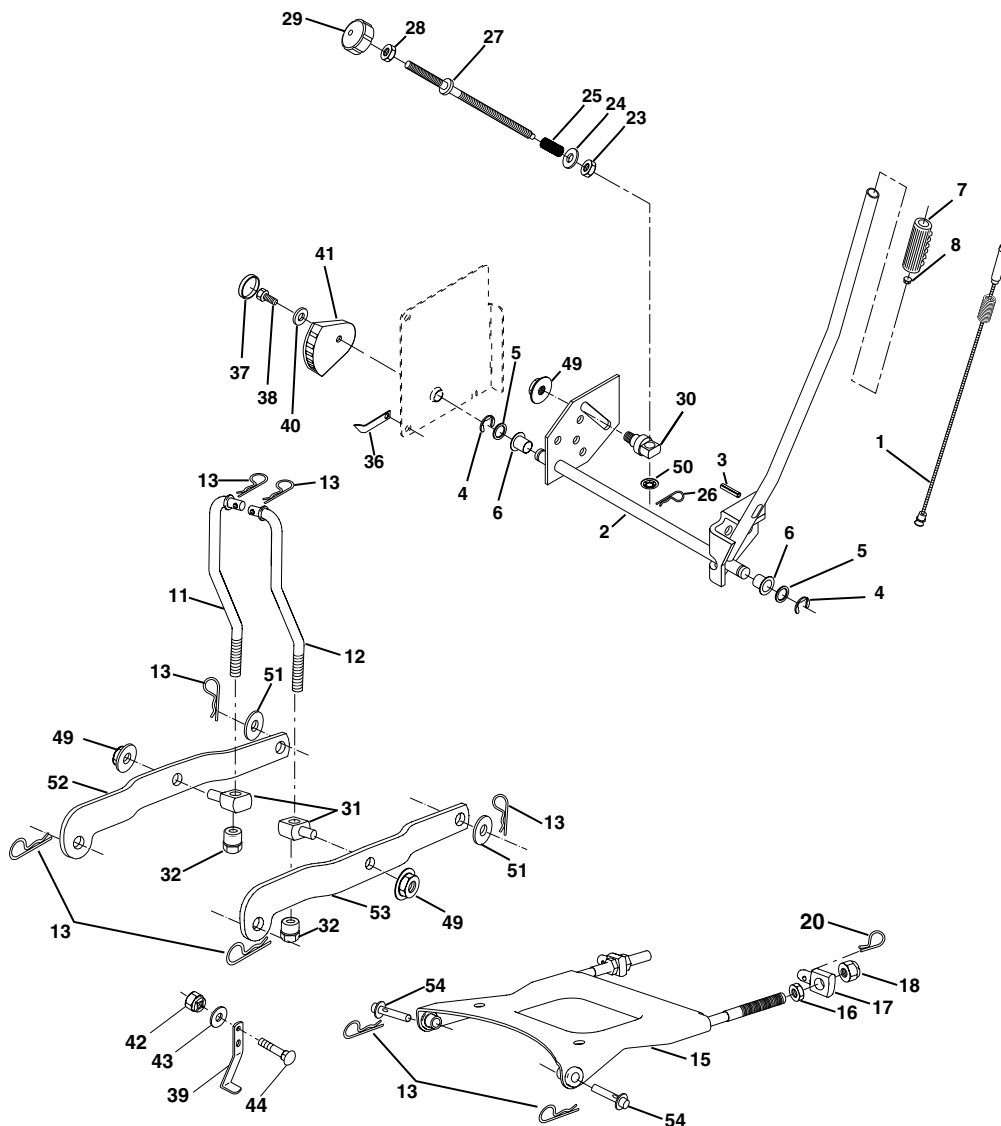


**KEY PART
NO. NO.**

KEY PART NO.	NO.	DESCRIPTION
1	59192	Cap Valve Tire
2	65139	Stem Valve
3	106222X	Tire FT 15 X 6 0 - 6 Service
4	59904	Tube Front (Service Item Only)
5	106732X417	Rim Asm 6"front Service
6	278H	Fitting Grease (Front Wheel Only)
7	9040H	Bearing Flange (Front Wheel Only)
8	184707X417	Rim Asm 12"rear Service
9	184708	Tire RT 22 x 9.5 -12 Service
10	7152J	Tube Rear (Service Item Only)
11	104757X421	Cap Axle 1 50 X 1 00
--	144334	Sealant, Tire (10 oz. Tube)

NOTE: All component dimensions given in U.S. inches
1 inch = 25.4 mm

**TRACTOR - MODEL NUMBER WAGT20H48STA PRODUCT NO. 954 56 83-28
MOWER LIFT**



**KEY PART
NO. NO.**

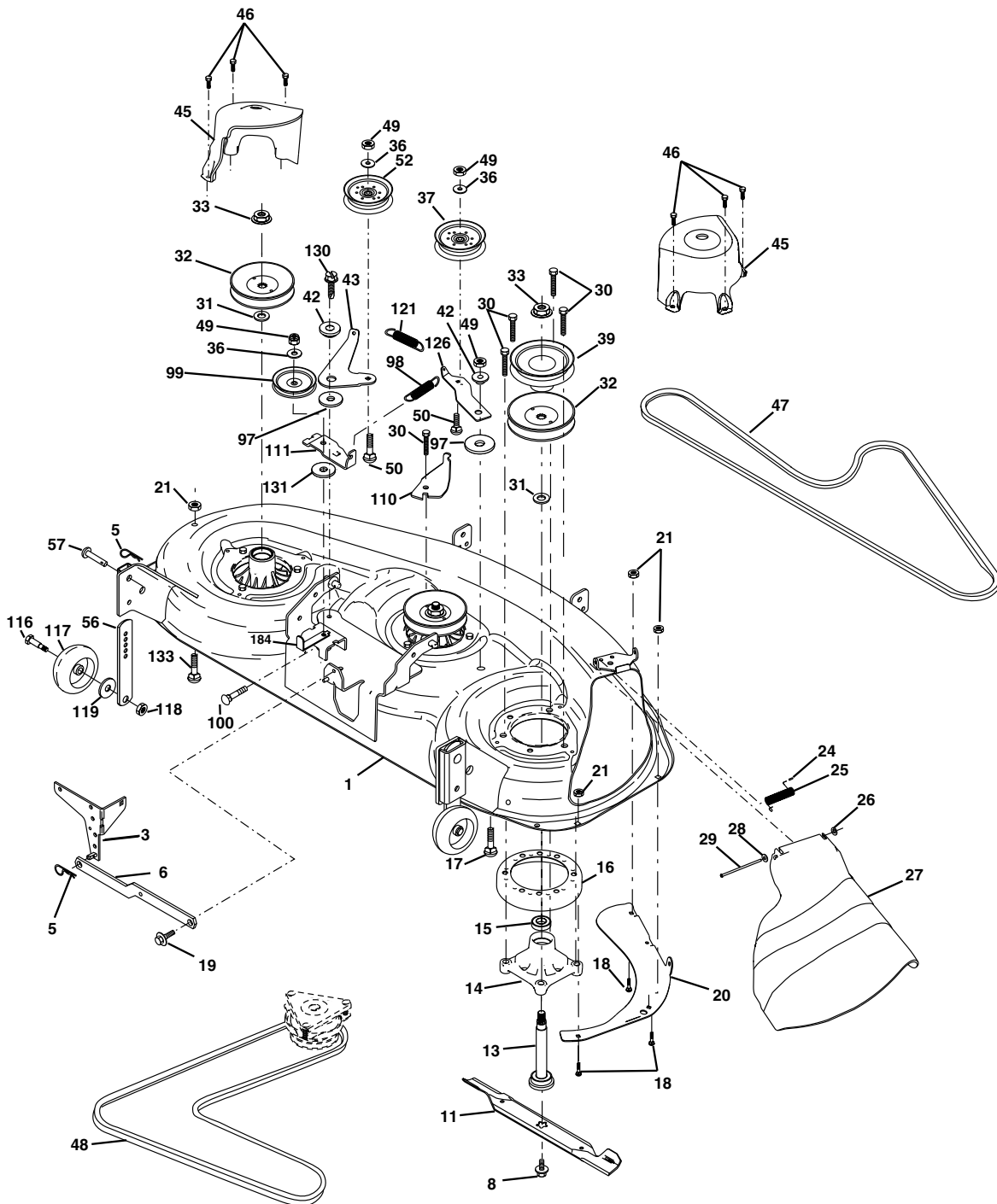
KEY PART NO.	NO.	DESCRIPTION
1	159461	Wire Asm Inner/Sprg W/plunger
2	159476	Shaft Asm Lift RH w/Inf
3	138284	Pin Groove
4	12000002	E Ring #5133-62
5	19211621	Washer 21/32 X 1 X 21 Ga
6	120183X	Bearing Nylon Blk 629 Id
7	109413X	Grip Handle
8	124526X	Button Plunger
11	185365	Link Lift LH
12	185367	Link Lift RH
13	4939M	Retainer Spring
15	185370	Plate Asm. Suspension Front
16	73350800	Nut Jam Hex 1/2-13 Unc
17	175689	Trunnion Front Susp.
18	73800800	Nut Lock w/Wsh 1/2-13unc
20	163552	Retainer Spring
23	110807X	Nut Special
24	19131016	Washer 13/32 X 5/8 X 16 Ga
25	164024	Spring
26	169484	Retainer Clip
27	164543	Rod Adj Lift
28	73350600	Nut Hex Jam 3/8-16 Unc

**KEY PART
NO. NO.**

KEY PART NO.	NO.	DESCRIPTION
29	138057	Knob Inf 3/8-16 Unc Blk W/sym
30	150233	Trunnion Infin Height
31	176205	Trunnion Infin Height
32	178698	Nut Lift Link Zinc Clear
36	155097	Pointer Height Indicator
37	123935X	Plug Hole Blk 1.485/1.515 Dia.
38	17060516	Screw 5/16-18 x 1
39	176199	Upstop
40	19112410	Washer 11/32 x 1-1/2 10 Ga.
41	155098	Indicator Height STLT
42	73680600	Nut Crownlock 3/8-16 Unc
43	19131612	Washer 13/32 x 1 x 12 Ga.
44	72240608	Bolt Carr 3/8-16 Unc
49	145212	Nut Hex Flange Lock
50	110452X	Nut Push Phos & Oil
51	19171416	Washer 17/32 x 7/8 x 16 Ga.
52	175378	Arm Susp. Rear LH
53	175802	Arm Susp. Rear RH
54	175560	Pin

NOTE: All component dimensions given in U.S. inches
1 inch = 25.4 mm

**TRACTOR - MODEL NUMBER WAGT20H48STA PRODUCT NO. 954 56 83-28
MOWER DECK**



**TRACTOR - MODEL NUMBER WAGT20H48STA PRODUCT NO. 954 56 83-28
MOWER DECK**

KEY NO.	PART NO.	DESCRIPTION	KEY NO.	PART NO.	DESCRIPTION
1	180359	Deck Weldment Mower 48	46	137729	Screw, Thdroll. 1/4-20 x 5/8
3	138017	Bracket Asm., Sway Bar	47	180808	V-Belt, Mower, Secondary
5	4939M	Retainer Spring	48	174368	V-Belt, Mower, Primary
6	178024	Arm, Suspension, Rear Sway Bar Deck	49	73680600	Nut, Crownlock 3/8-16 UNC
8	174365	Bolt 7/16 Asm. Blade	50	72110612	Bolt, Carr. 3/8-16 x 1-1/2 Gr. 5
11	180054	Blade	52	175820	Pulley Idler Flat
13	175147	Shaft Asm. w/Lower Bearing	56	155986	Bar Pnt Adj.
14	174358	Mandrel Asm. Housing	57	156941	Pin Head Rivet
15	110485X	Bearing, Ball, Mandrel	97	178515	Washer Hardened
16	174493	Stripper Mandrel Deck	98	179479	Spring Primary Drive
17	72110610	Bolt RDHD Sq Neck 3/8-16 x 1.25	99	184058	Pulley Idler"V"
18	72140505	Bolt, Carriage 5/16-18 x 5/8	100	72110616	Bolt RDHD Sqnc 3/8-16 UNC x 2
19	132827	Bolt, Hex Hd, Shoulder 5/16-18	110	175016	Arm Spring Secondary
20	174378	Baffle, Vortex Mower	111	174610	Arm Spring Fixed Tension
21	73680500	Nut, Crownlock 5/16-18 UNC	116	184219	Bolt, Shoulder
24	105304X	Cap, Sleeve	117	133957	Gauge Wheel
25	178102	Spring, Torsion	118	73930600	Nut, Centerlock 3/8-16 UNC
26	110452X	Nut, Push	119	19121414	Washer 3/8 x 7/8 x 14 Ga.
27	180655X428	Deflector Shield	121	174371	Spring Secondary Drive
28	19111016	Washer 11/32 x 5/8 x 16 Ga.	126	174372	Arm, Idler, Primary Deck
29	131491	Rod, Hinge	130	17000616	Screw 3/8-16 x 1.0
30	173984	Screw, Thdroll Washer Head	131	19131606	Washer 13/32 x 1.00 x 6 Ga.
31	129963	Washer, Spacer Mower Vented	133	72110506	Bolt RDH SQNK 5/16-18unc x 3/4
32	177865	Pulley, Mandrel	184	173979	Keeper Belt Idler
33	178342	Nut, Flg. Top Lock Cntr. 9/16	--	181704	Relplacement Mower, Complete
36	19131316	Washer 13/32 x 13/16 x 16 Ga.	--	174357	Mandrel Asm. Service (Includes Key Nos. 13-15 and 33)
37	177968	Pulley, Idler, Flat			
39	174375	Pulley, Idler, Driven			
42	165723	Spacer, Retainer			
43	174373	Arm, Idler Secondary			
45	180806	Cover, Mandrel Deck			

NOTE: All component dimensions given in U.S. inches
1 inch = 25.4 mm