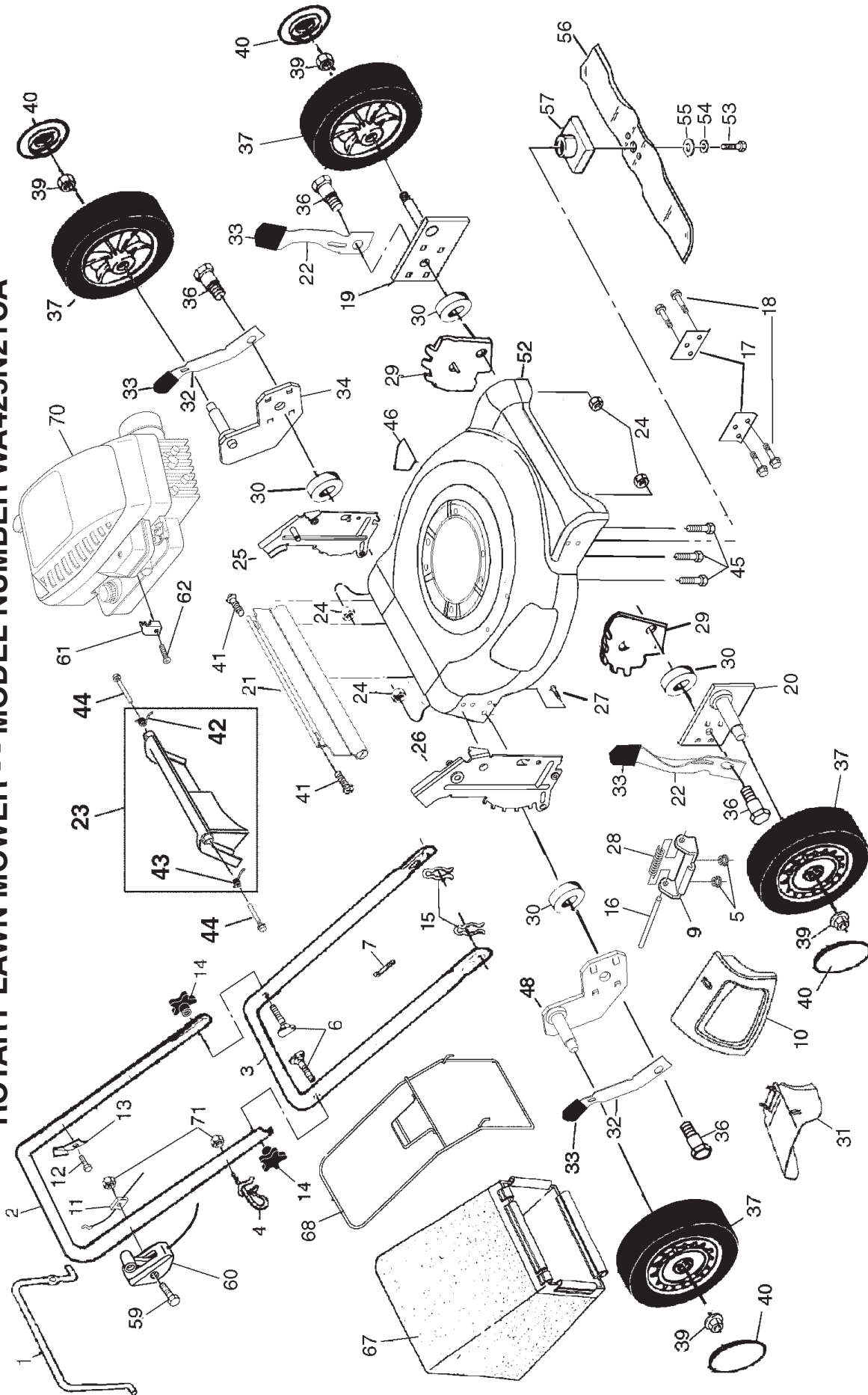


ROTARY LAWN MOWER -- MODEL NUMBER WA425N21CA



## ROTARY LAWN MOWER - - MODEL NUMBER WA425N21CA

KEY NO.	PART NO.	DESCRIPTION	KEY NO.	PART NO.	DESCRIPTION
1	86902	Control Bar	36	160828	Shoulder Bolt 5/16-18
2	169709X479	Upper Handle	37	148442	Wheel Assembly
3	169708X479	Lower Handle	39	83923	Flanged Locknut
4	179585	Rope Guide	40	77400	Hubcap
5	63601	Locknut 1/4-20	41	88652	Hinge Screw
6	131959	Handle Bolt	42	165766	Spring (LH)
7	66426	Wire Tie	43	165767	Spring (RH)
9	154132	Hinge Bracket	44	184193	Door Bolt
10	165754	Mulcher Door	45	150406	Hex Head Thread Rolling Screw 3/8-16 x 1
11	130861	Engine Zone Control Cable	46	141846	Danger Decal
12	750634	Hex Washer Head Screw	48	165761X004	Axle Arm Assembly - RR
13	850733X004	Up-Stop Bracket	52	186723	Housing Assembly
14	136376	Handle Knob			(Includes Key Numbers 17, 18 and 46)
15	51793	Hairpin Cotter	53	851084	Hex Head Screw 3/8-24 x 1-3/8 Grade 8
16	147286	Hinge Rod	54	850263	Helical Lockwasher
17	165946X479	Support Bracket	55	851074	Hardened Washer
18	17600406	Screw	56	175064	21" Blade
19	167132X004	Axle Arm Assembly - LF	57	851514	Blade Adapter
20	167133X004	Axle Arm Assembly - RF	59	144929	Screw
21	165858	Rear Skirt	60	164137	Throttle Control
22	168360X004	Selector Spring - Front	61	111190X	Clamp
23	186612	Rear Door Assembly Kit (Incl. Springs)	62	83816	Screw
24	73930500	Locknut 5/16-18	67	186722	Grass Bag
25	166111X479	Handle Bracket Assembly (Left)	68	180332	Catcher Frame
26	166112X479	Handle Bracket Assembly (Right)	70	---	Engine, Briggs & Stratton, Model Number 10G902 (Order parts from Engine Manufacturer)
27	851856	Screw 1/4-20 x 3/8			Nut, Hex
28	152124	Hinge Spring	71	132004	Warning Decal (Not Shown)
29	160835X007	Wheel Adjusting Bracket - Front	--	161058	Operator's Manual, English
30	183901	Washer	--	172782	Operator's Manual, Spanish
31	165760	Clip on Discharge Guard	--	172784	Repair Parts Manual
32	169421X004	Selector Spring - Rear			
33	87877	Selector Knob			
34	165762X004	Axle Arm Assembly - LR			

**NOTE:** All component dimensions given in U.S. inches.  
1 inch = 25.4 mm