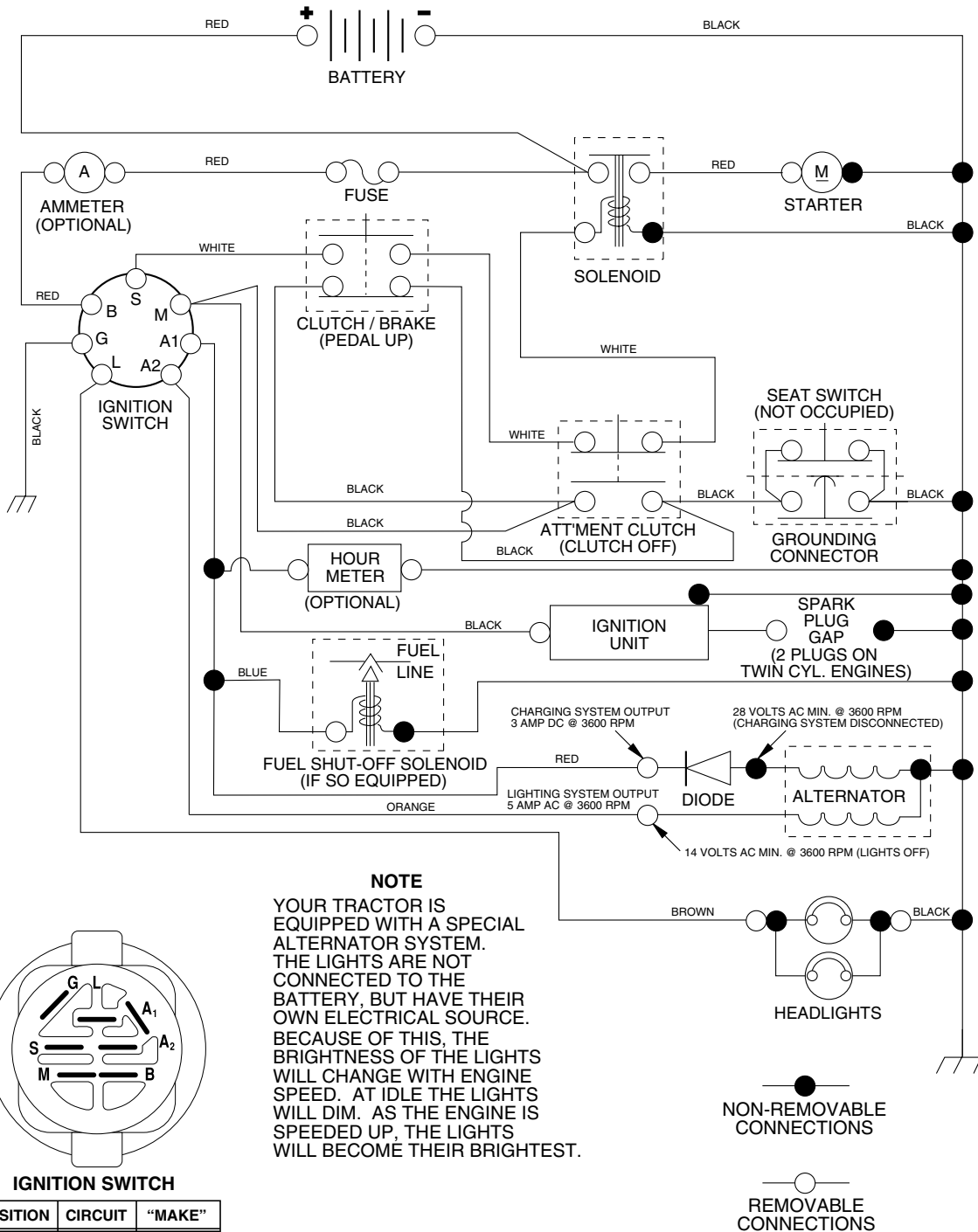
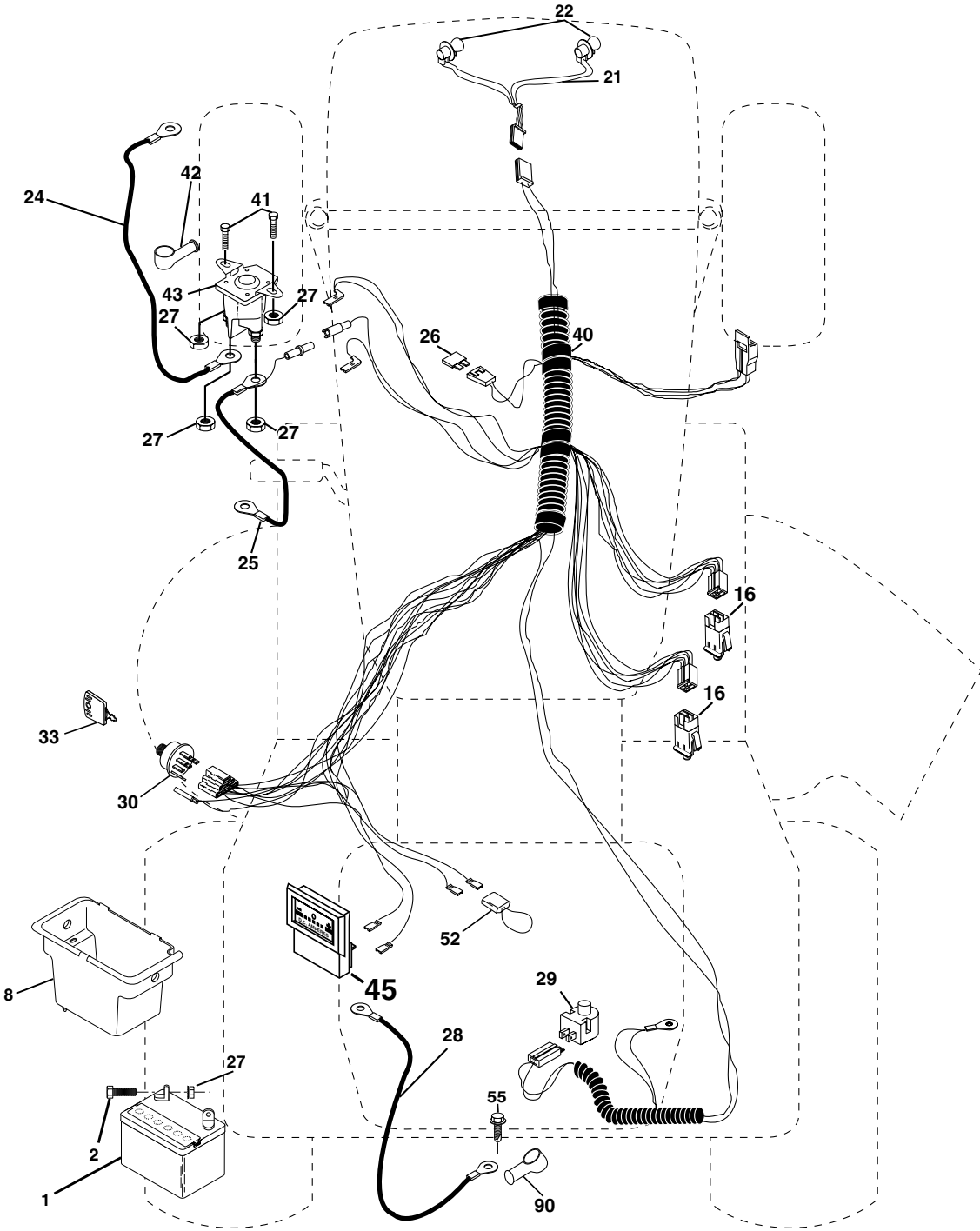


**TRACTOR - - MODEL NUMBER WA20H42STA PRODUCT NO. 954 56 83-35
SCHEMATIC**



REPAIR PARTS

**TRACTOR - - MODEL NUMBER WA20H42STA PRODUCT NO. 954 56 83-35
ELECTRICAL**

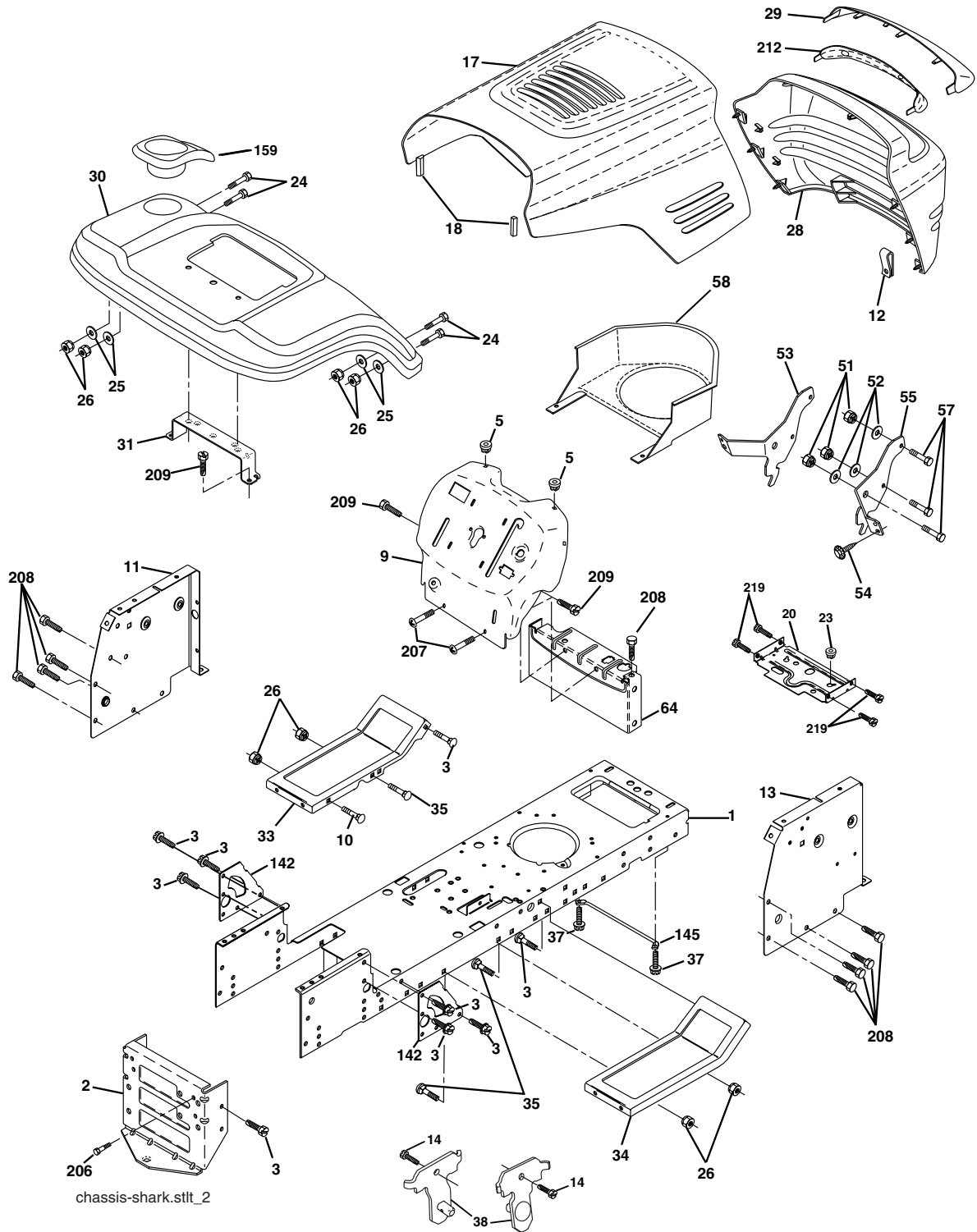


**TRACTOR - - MODEL NUMBER WA20H42STA PRODUCT NO. 954 56 83-35
ELECTRICAL**

KEY NO.	PART NO.	DESCRIPTION
1	144927	Battery
2	74760412	Bolt Hex Hd 1/4-20 Unc x 3/4
8	176689	Battery Box
16	176138	Switch Interlock Push-In
21	175688	Harness Socket Light
22	4152J	Bulb, Light # 1156
24	4799J	Cable Battery
25	146147	Cable Battery 6 Ga Red w/16 wire
26	175158	Fuse
27	73510400	Nut Keps Hex 1/4-20 Unc
28	4207J	Cable Ground 6ga 12 black
29	121305X	Switch Plunger Nc Gray
30	175566	Switch Ign
33	140401	Key Ign Molded Generic
40	179720	Harness Ign
41	71110408	Bolt Fin Hex 1/4-20 Unc x 1/2
42	131563	Cover Terminal Red
43	178861	Solenoid
45	121433X	Ammeter Rectangular
52	141940	Protection Loop
90	180449	Cover Terminal

NOTE: All component dimensions given in U.S. inches
1 inch = 25.4 mm

**TRACTOR - - MODEL NUMBER WA20H42STA PRODUCT NO. 954 56 83-35
CHASSIS AND ENCLOSURES**

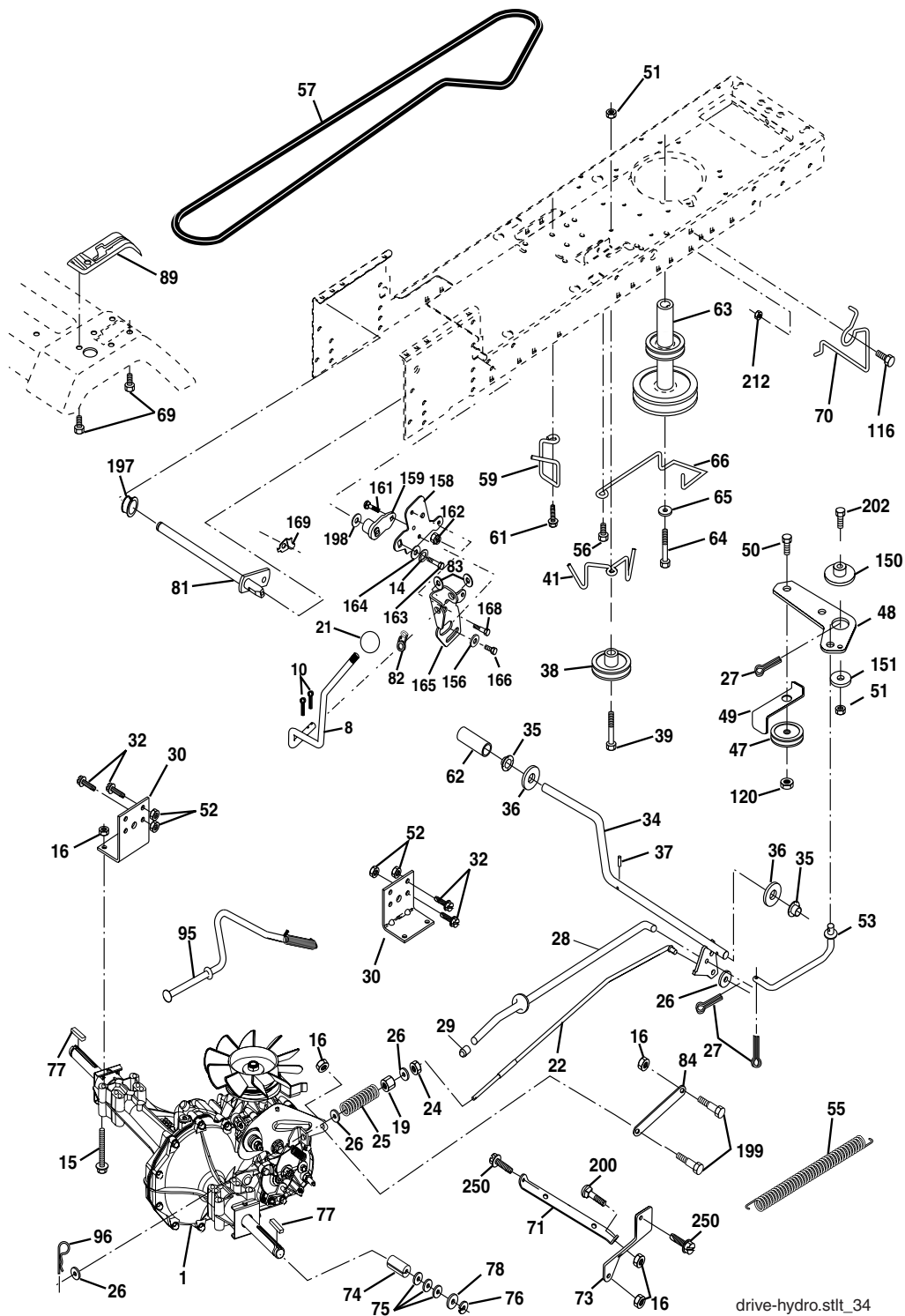


**TRACTOR - - MODEL NUMBER WA20H42STA PRODUCT NO. 954 56 83-35
CHASSIS AND ENCLOSURES**

KEY NO.	PART NO.	DESCRIPTION
1	174619	Chassis
2	176554	Drawbar
3	17060612	Screw 3/8-16 x .75
5	155272	Bumper Hood/Dash
9	168337X012	Dash P/L
10	72140608	Bolt Carriage 3/8-16 x 1
11	174996	Panel Dash Lh
12	145660	Clip Tinnerman
13	172106	Panel Dash Rh
14	17490608	Screw Thdrol 3/8-16 x 1-1/4
17	144983X603	Hood W/Side Louvers
18	184921	Bumper Hood Large
20	180679	Plate Mtg Battery Fuel Tank
23	124028X	Bushing
24	74780616	Bolt Fin Hex 3/8-16 x 1 Gr 5
25	19131312	Washer 13/32 x 13/16 x 12 Ga
26	73800600	Nut Lock Hex W/Ins 3/8-16 Unc
28	178987X428	Grille LT/PL
29	155217X599	Lens
30	169470X603	Fender Footrest STLT Pnt
31	136619	Bracket Support Fender
33	179716X603	Footrest Pnt Lh
34	179717X603	Footrest Pnt Rh
35	72110606	Bolt Rdhd Sht Sqnk 3/8-16 x 3/4
37	17490508	Screw Thdrol 6/16-18 x 1/2 TYT
38	175710	Bracket Asm. Pivot Mower Rear
51	73800400	Nut Lock Hex W/Ins 1/4-20
52	19091416	Washer 9/32 x 7/8 x 16 Ga.
53	145201	Bracket Grille Lh
54	161464	Screw Hex Wshd 8-18 x 7/8
55	145202	Bracket Grille Rh
57	74780412	Bolt Hex 1/4-20 x 3/4
58	184460	Duct Air
64	154798	Dash Lower STLT
142	175702	Plate Reinforcement STLT
145	156524	Rod Pivot Chassis/Hood
159	169473X428	Cupholder
206	170165	Bolt Shoulder 5/16-18
207	17670508	Screw Thdrol 5/16-18 x 1/2
208	17670608	Screw Thdrol 3/8-16 x 1/2
209	17000612	Screw Hexwsh Thdr 3/8-16 x 3/4
212	165919	Insert Lens Reflect
219	17000512	Screw 5/16-18 x 3/4

NOTE: All component dimensions given in U.S. inches
1 inch = 25.4 mm

TRACTOR - - MODEL NUMBER WA20H42STA PRODUCT NO. 954 56 83-35
GROUND DRIVE

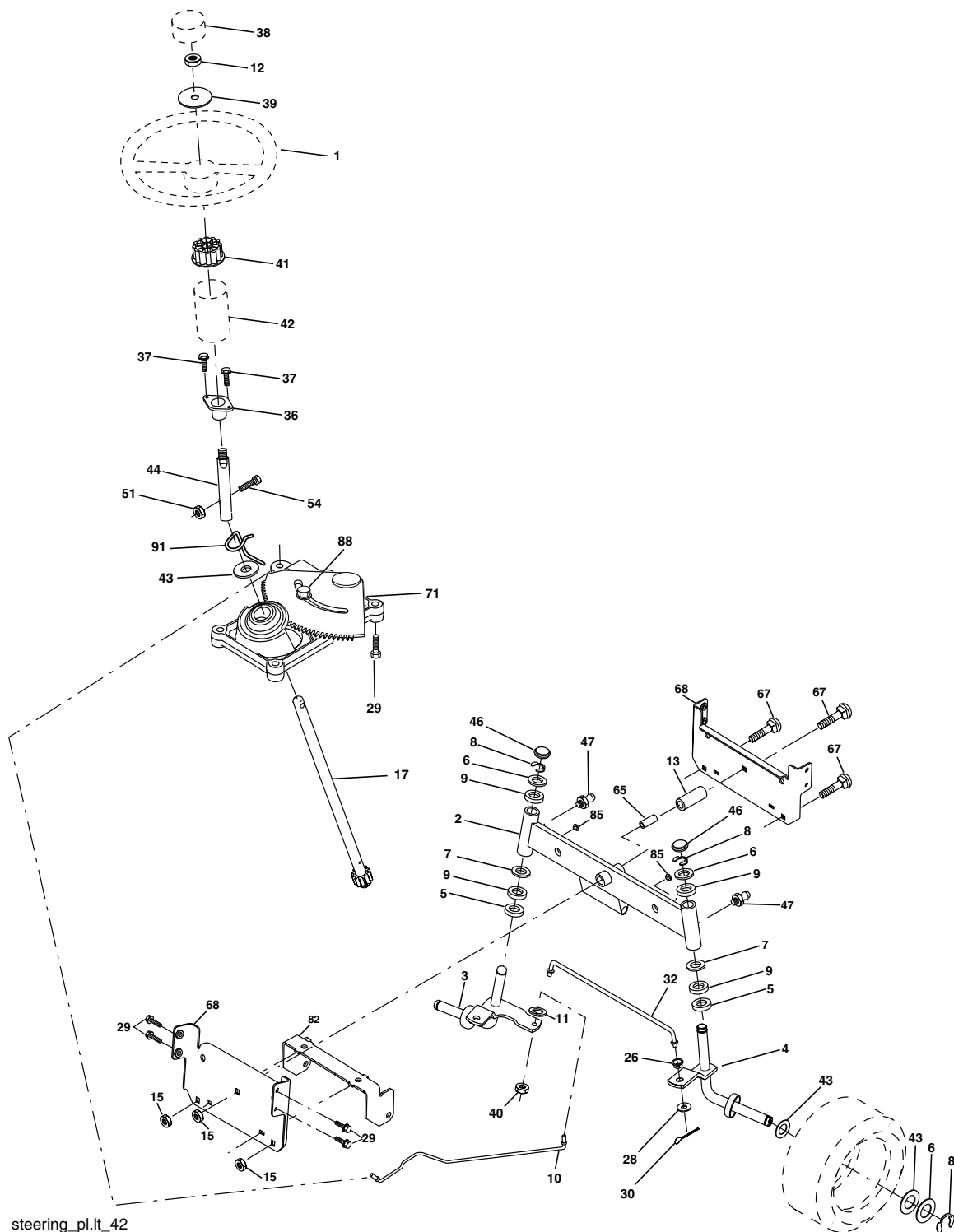


**TRACTOR - - MODEL NUMBER WA20H42STA PRODUCT NO. 954 56 83-35
GROUND DRIVE**

KEY NO.	PART NO.	DESCRIPTION	KEY NO.	PART NO.	DESCRIPTION
1	-----	Transaxle Hydro Gear 314-0510 (Order Parts From Transaxle Manufacturer)	66	154778	Keeper Belt Engine
			69	142432	Screw
8	165619	Rod Shift Hydro LT	70	134683	Guide Belt
10	76020416	Pin Cotter 1/8 x 1 CAD	71	169183	Strap Torque Lh Hydro
14	10040400	Washer Lock Hvy Helical	73	169182	Strap Torque Rh Hydro
15	74490544	Bolt, Hex FLGHD 5/16-18 Gr. 5	74	137057	Spacer, Axle
16	73800500	Nut Lock Hex W/Ins 5/16-18 Unc	75	121749X	Washer 25/32 x 1-1/4 x 16 Gauge
19	73800600	Nut Lock Hex W/Wsh 3/8-16 Unc	76	12000001	E-Ring
21	140845	Knob, Round 1/2-13	77	123583X	Key, Square
22	169498	Rod, Brake Hydro	78	121748X	Washer 25/32 x 1-5/8 x 16 Gauge
24	73350600	Nut	81	165596	Shaft Asm. Cross Hydro
25	106888X	Spring, Brake Rod	82	123782X	Spring Torsion T/A
26	19131316	Washer	83	19171216	Washer 17/32 x 3/4 x 16 Ga.
27	76020412	Pin Cotter 1/8 x 3/4 CAD.	84	169594	Link Transaxle
28	175765	Rod, Parking Brake	89	169373X428	Console, Hydro
29	71673	Cap, Parking Brake	95	170201	Control Asm Bypass Hydro
30	169592	Bracket, Transaxle	96	4497H	Retainer Spring 1" Zinc/Cad
32	74760512	Bolt Hex Hd 5/16-18 Unc x 3/4	116	72140608	Bolt Rdhd Sq Neck 3/8-16 x 1
34	175578	Shaft, Foot Pedal	120	73900600	Nut Lock Flg 3/8-16
35	120183X	Bearing, Nylon	150	175456	Spacer Retainer
36	19211616	Washer	151	19133210	Washer 13/32 x 2 x 10 Ga.
37	1572H	Pin, Roll	156	166002	Washer Srrted 5/16 ID x 1.125
38	179114	Pulley, Flat Composite	158	165589	Bracket Shift Mount
39	74760648	Bolt Fin Hex 3/8-16 x 3	159	165494	Hub Tapered Flange Shift Lt
41	175556	Keeper, Belt Idler	161	72140406	Bolt Rdhd Sqnk 1/4-20 x 3/4 Gr 5
47	127783	Pulley, Idler, V-Groove	162	73680400	Nut Crownlock 1/4-20 Unc
48	154407	Bellcrank Clutch Grnd Drv STL	163	74780416	Bolt Hex Fin 1/4-20 Unc x 1 Gr 5
49	123205X	Retainer, Belt	164	19091010	Washer 5/8 x .281 x 10 Ga
50	72110612	Bolt Carr. SH 3/8-16 x 1-1/2 Gr. 5	165	165623	Bracket Pivot Lever
51	73680600	Nut Crownlock 3/8-16 Unc	166	166880	Screw 5/16-18 x 5/8
52	73680500	Nut Crownlock 5/16-18 Unc	168	165492	Bolt Shoulder 5/16-18 x .561
53	105710X	Link, Clutch	169	165580	Plate Fastening Lt
55	105709X	Spring, Return, Clutch	197	169613	Nyliner Snap-In 5/8" ID
56	17060620	Screw 3/8-16 x 1-1/4	198	169593	Washer Nyl 7/8 ID x .105
57	140294	V-Belt, Ground Drive	199	169612	Bolt Shoulder 5/16-18 Unc
59	169691	Keeper, Center Span	200	72140508	Bolt Rdhd Sqnk 5/16-18 Unc x 1
61	17120614	Screw 3/8-16 x .875	202	72110612	Bolt RDHD 3/8-16 x 1-1/2 Gr 5
62	8883R	Cover, Pedal	212	145212	Nut Hex Flg Lock
63	175410	Pulley, Engine	250	17060612	Screw Thdrol. 3/8-16 x .75
64	71170764	Bolt, Hex			
65	10040700	Washer			

NOTE: All component dimensions given in U.S.
inches 1 inch = 25.4 mm

TRACTOR - - MODEL NUMBER WA20H42STA PRODUCT NO. 954 56 83-35
STEERING ASSEMBLY

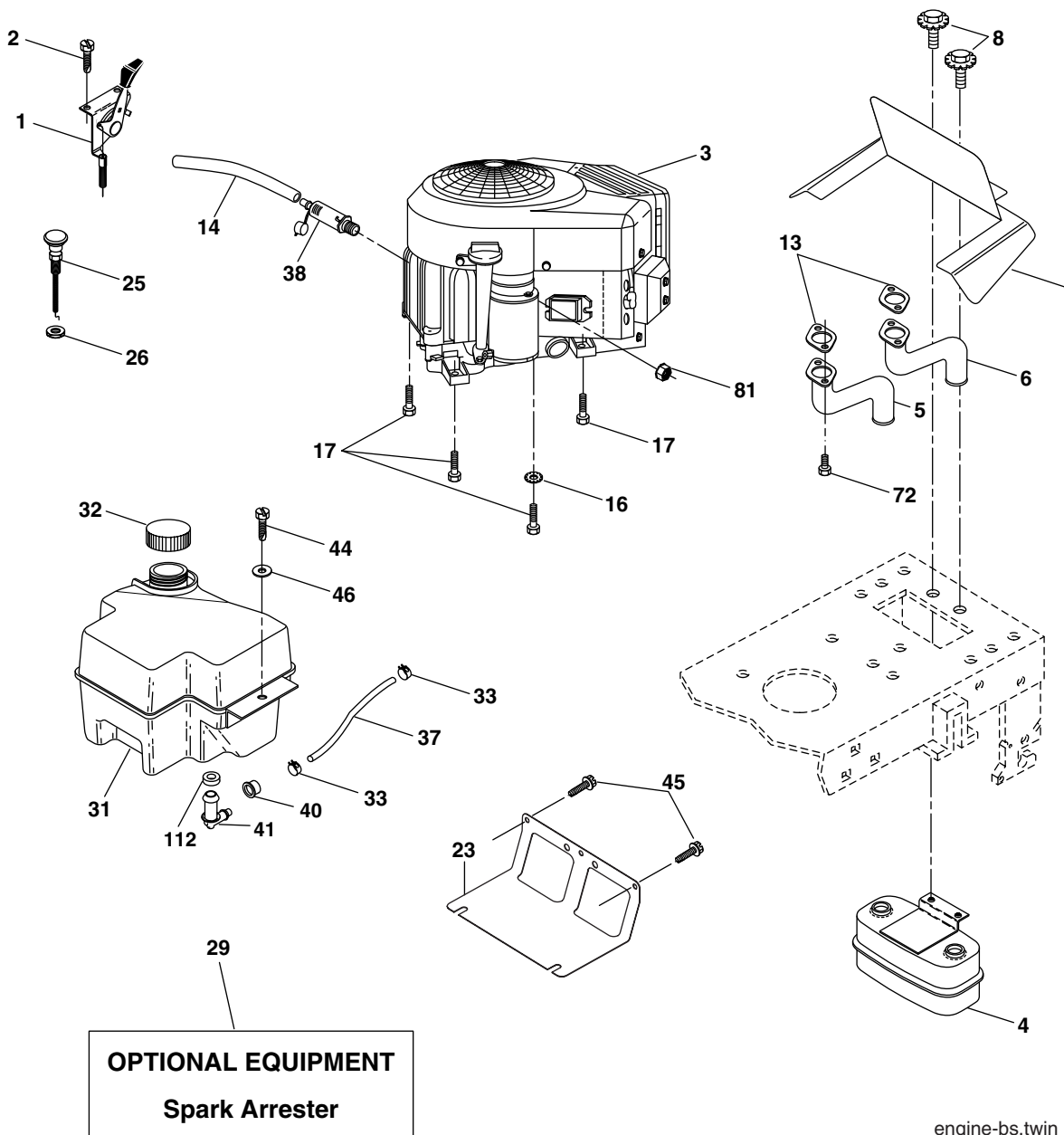


**TRACTOR - - MODEL NUMBER WA20H42STA PRODUCT NO. 954 56 83-35
STEERING ASSEMBLY**

KEY NO.	PART NO.	DESCRIPTION
1	184704X428	Wheel Steering
2	175131	Axle Asm Cast Iron LT
3	169840	Spindle Asm LH
4	169839	Spindle Asm RH
5	6266H	Bearing Race Thrust Harden
6	121748X	Washer 25/32 x 1-5/8 x 16 Ga
7	19272016	Washer 27/32 x 1-1/4 x 16 Ga
8	12000029	Ring Klip #t5304-75
9	3366R	Bearing Col. Strg.
10	175121	Link Drag
11	10040600	Washer Lock Hvy Hlcl Spr 3/8
12	73940800	Nut Hex Jam Toplock 1/2-20 Unf
13	136518	Spacer Brg. Axle Front
15	145212	Nut Hex Flange Lock
17	180641	Shaft Asm. Steering
26	126847X	Bushing Link Drag
28	19131416	Washer 13/32 x 7/8 x 16 Ga.
29	17060612	Screw 3/8-16 x .75
30	76020412	Pin Cotter 1/8 x 3/4
32	130465	Rod Tie
36	155099	Bushing Strg
37	152927	Screw
38	159946X428	Insert Cap Strg Wh Au
39	19182411	Washer
40	7810H	Lock nut
41	159945	Adaptor Wheel Strg
42	145054X428	Boot Steering Dash
43	121749X	Washer 25/32 x 1 1/4 x 16 Ga
44	180640	Extension Steering Shaft
46	121232X	Cap Spindle Fr Top Blk
47	183226	Fitting Grease
51	73540400	Nut Crownlock 1/4-28
54	71130420	Bolt Hex 1/4-28 Unf x 1-1/4 Gr. 8
65	160367	Brace Axle
67	72140618	Bolt Rdhd Sq 3/8-16 Unc x 2-1/4
68	169827	Axle, Brace
71	175146	Steering Asm.
82	169835	Bracket Susp. Chassis Front
85	133835	Fastner Christmas Tree
88	175118	Bolt Shoulder 7/16-20 Unc
91	175553	Clip Steering

NOTE: All component dimensions given in U.S. inches
1 inch = 25.4 mm

**TRACTOR - - MODEL NUMBER WA20H42STA PRODUCT NO. 954 56 83-35
ENGINE**

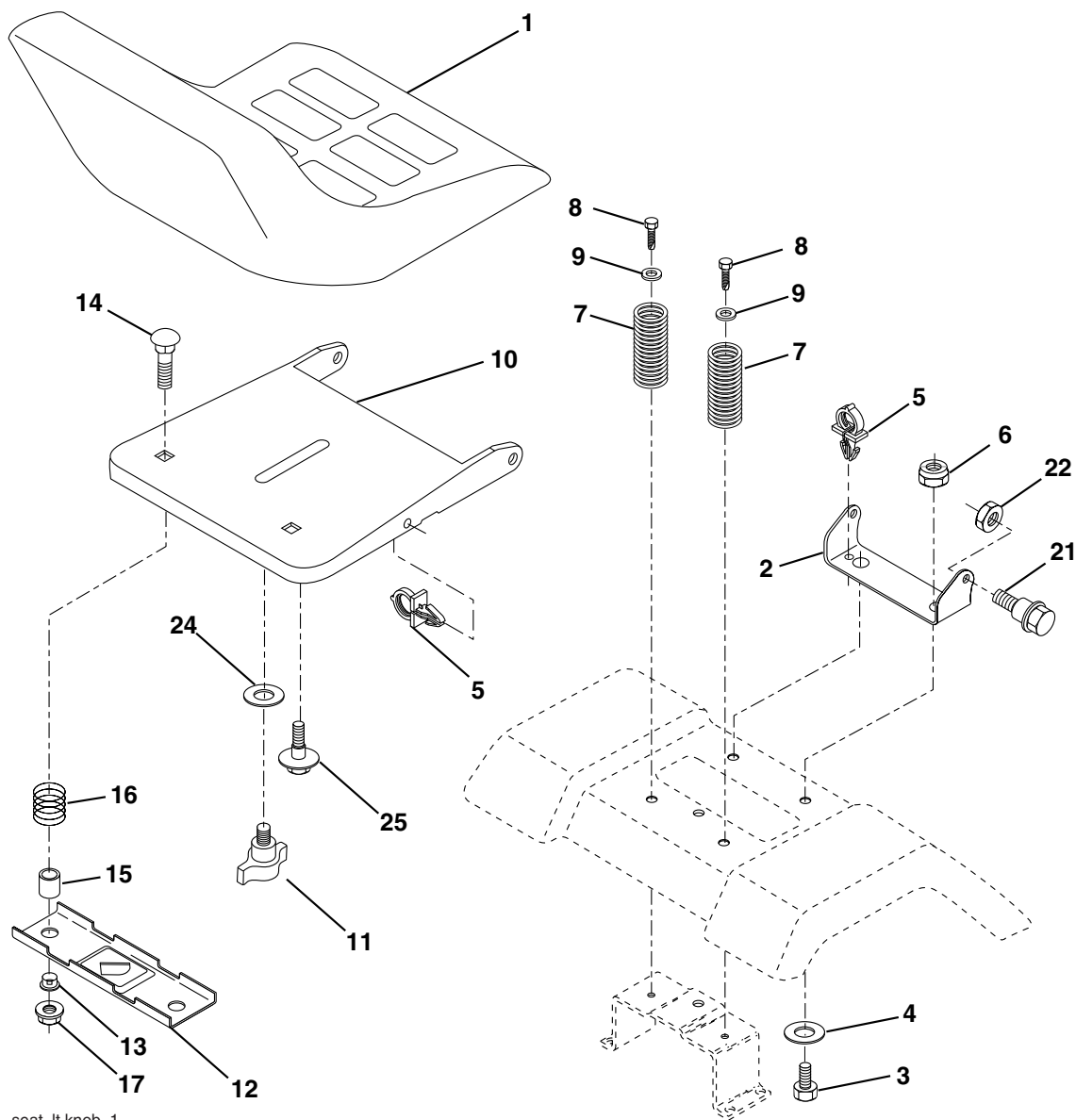


engine-bs.twin_

KEY PART NO.	PART NO.	DESCRIPTION	KEY PART NO.	PART NO.	DESCRIPTION
1	170771	Control, Throttle	31	180645	Tank, Fuel
2	17720408	Screw Hex Thd Cut 1/4-20 x 1/2	32	140527	Cap Asm Fuel W/sym Vented
3	-----	Engine, Briggs Model 407777 (Order Parts From Engine Manufacturer)	33	123487X	Clamp Hose Black
4	149723	Muffler, Asm. Twin Lo-Tone	37	137040	Line Fuel 20"
5	160589	Pipe Exhaust Intek 20 RH	38	181654	Plug Drain Oil Easy
6	159955	Pipe Exhaust Intek 20 LH	40	124028X	Bushing Snap Nyl Blk Fuel Line
8	171877	Bolt 5/16-18 Unc x 3/4 w/Sems	41	139277	Stem Tank Fuel
10	162797	Shield Browing B&S Untek II	44	17670412	Screw Hexwsh Thdrol 1/4-20 x 3/4
13	165391	Gasket Muffler	45	17000612	Screw Hexwsh Thdr 3/8-16 x 3/4
14	148456	Tube Drain Oil Easy	46	19091416	Washer 9/32 x 7/8 x 16 Ga
16	11050600	Washer Lock Ext Tooth 3/8	62	10040500	Washer Lock Hvy Hlcl Spr 5/16
17	17060624	Screw 3/8-16 x 1-1/2	72	71070512	Screw Hex Hd Cap 5/16-18 x 3/4
23	169837	Shield Brn/Dbr Guard	81	73510400	Nut Keps Hex 1/4-20 Unc
26	73920600	Nut Keps 3/8-24 unf	112	3645J	Bushing
29	137180	Kit Spark Arrestor (Flat Scrn)			

NOTE: All component dimensions given in U.S. inches
1 inch = 25.4 mm

**TRACTOR - - MODEL NUMBER WA20H42STA PRODUCT NO. 954 56 83-35
SEAT ASSEMBLY**



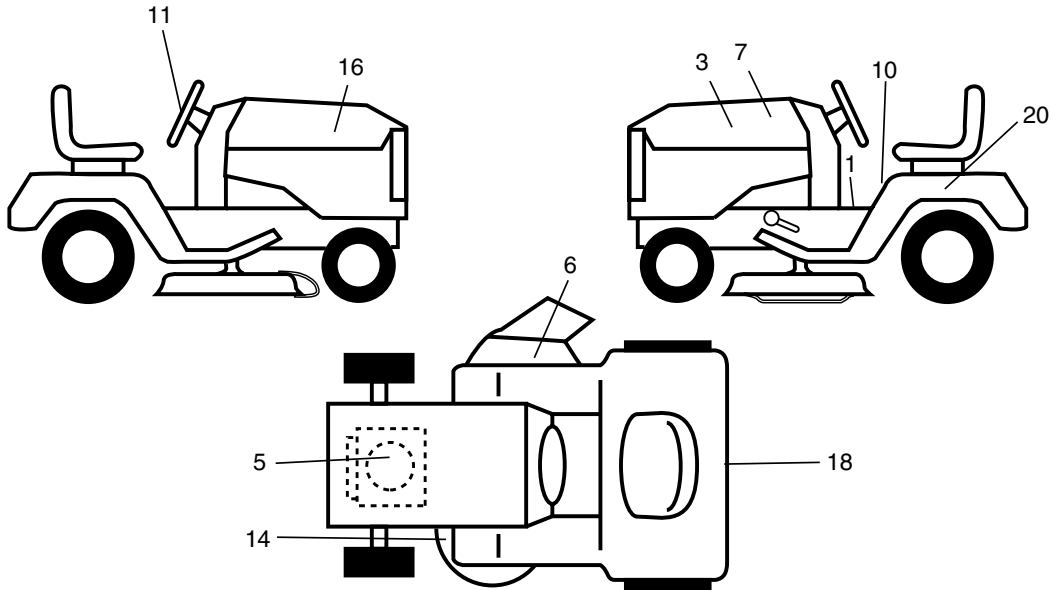
seat_lt.knob_1

KEY PART NO.	NO.	DESCRIPTION
1	140117	Seat
2	140551	Bracket Pivot Seat 8 720
3	71110616	Bolt Fin Hex 3/8-16 Unc x 1
4	19131610	Washer 13/32 x 1 x 10 Ga
5	145006	Clip Push-In
6	73800600	Nut Hex w/Ins. 3/8-16 Unc
7	124181X	Spring Seat Cprsn 2 250 Blk Zi
8	17000616	Screw 3/8-16 x 1.5
9	19131614	Washer 13/32 x 1 x 14 Ga.
10	182493	Pan Seat
11	166369	Knob Seat
12	121246X	Bracket Mounting Switch

KEY PART NO.	NO.	DESCRIPTION
13	121248X	Bushing Snap Blk Nyl 50 Id
14	72050412	Bolt Rdhd Sqnk 1/4-20 x 1-1/2
15	134300	Spacer Split 28x 88
16	121250X	Spring Cprsn
17	123976X	Nut Lock 1/4 Lge Flg Gr 5 Zinc
21	171852	Bolt Shoulder 5/16-18 Unc
22	73800500	Nut Hex Lock W/Ins 5/16-18
24	19171912	Washer 17/32 x 1-3/16 x 12 Ga.
25	127018X	Bolt Shoulder 5/16-18 x 62

NOTE: All component dimensions given in U.S. inches
1 inch = 25.4 mm

**TRACTOR - - MODEL NUMBER WA20H42STA PRODUCT NO. 954 56 83-35
DECALS**



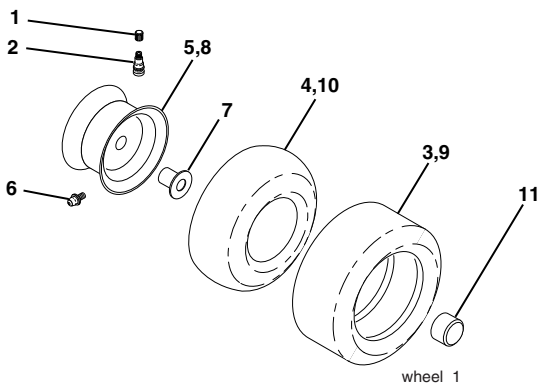
**KEY PART
NO. NO.**

KEY PART NO.	PART NO.	DESCRIPTION
1	156811	Decal Oper
3	184970	Decal Hood LH
5	170851	Decal HP Engine
7	185440	Decal Repl. Parts
8	179128	Decal Deck "B" 42"
9	184944	Decal Fender Logo
10	156439	Decal Fender Danger E/F
11	184943	Decal Ins Strg Whl
14	160396	Decal V-Belt Schematic

**KEY PART
NO. NO.**

KEY PART NO.	PART NO.	DESCRIPTION
16	184969	Decal Hood Rh
20	145005	Decal Bat Dan/Psn
--	169210	Decal By Pass
--	179768X428	Pad Footrest LH
--	179769X428	Pad Footrest RH
--	138311	Decal Handle Lft Height Adjust
--	184961	Decal Chassis
--	181249	Decal Footrest
--	185106	Manual Owner's (English)
--	185107	Manual Owner's (Spanish)

WHEELS & TIRES

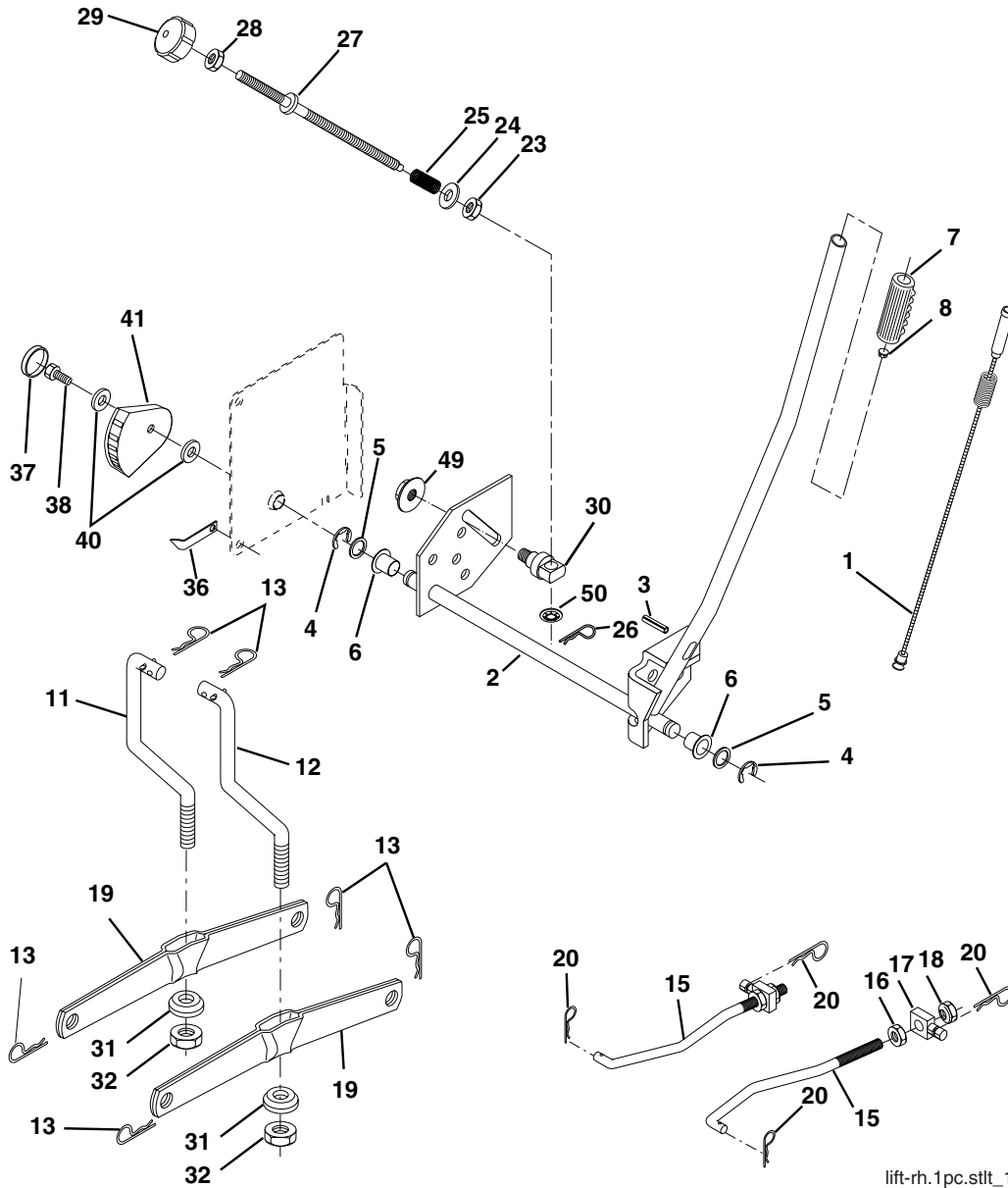


**KEY PART
NO. NO.**

KEY PART NO.	PART NO.	DESCRIPTION
1	59192	Cap Valve Tire
2	65139	Stem Valve
3	106222X	Tire F T 15 x 6 0 - 6 Service
4	59904	Tube Front (Service Item Only)
5	106732X417	Rim Asm 6"front Service
6	278H	Fitting Grease (Front Wheel Only)
7	9040H	Bearing Flange (Front Wheel nly)
8	106108X417	Rim Asm 8"rear Service
9	122082X	Tire R T 20 x 10-8 Service
10	7152J	Tube Rear (Service Item Only)
11	104757X421	Cap Axle Blk 1 50 x 1 00
--	144334	Sealant, Tire (10 oz. Tube)

NOTE: All component dimensions given in U.S. inches
1 inch = 25.4 mm

**TRACTOR - - MODEL NUMBER WA20H42STA PRODUCT NO. 954 56 83-35
LIFT ASSEMBLY**



lift-rh.1pc.stlt_1

**KEY PART
NO. NO.**

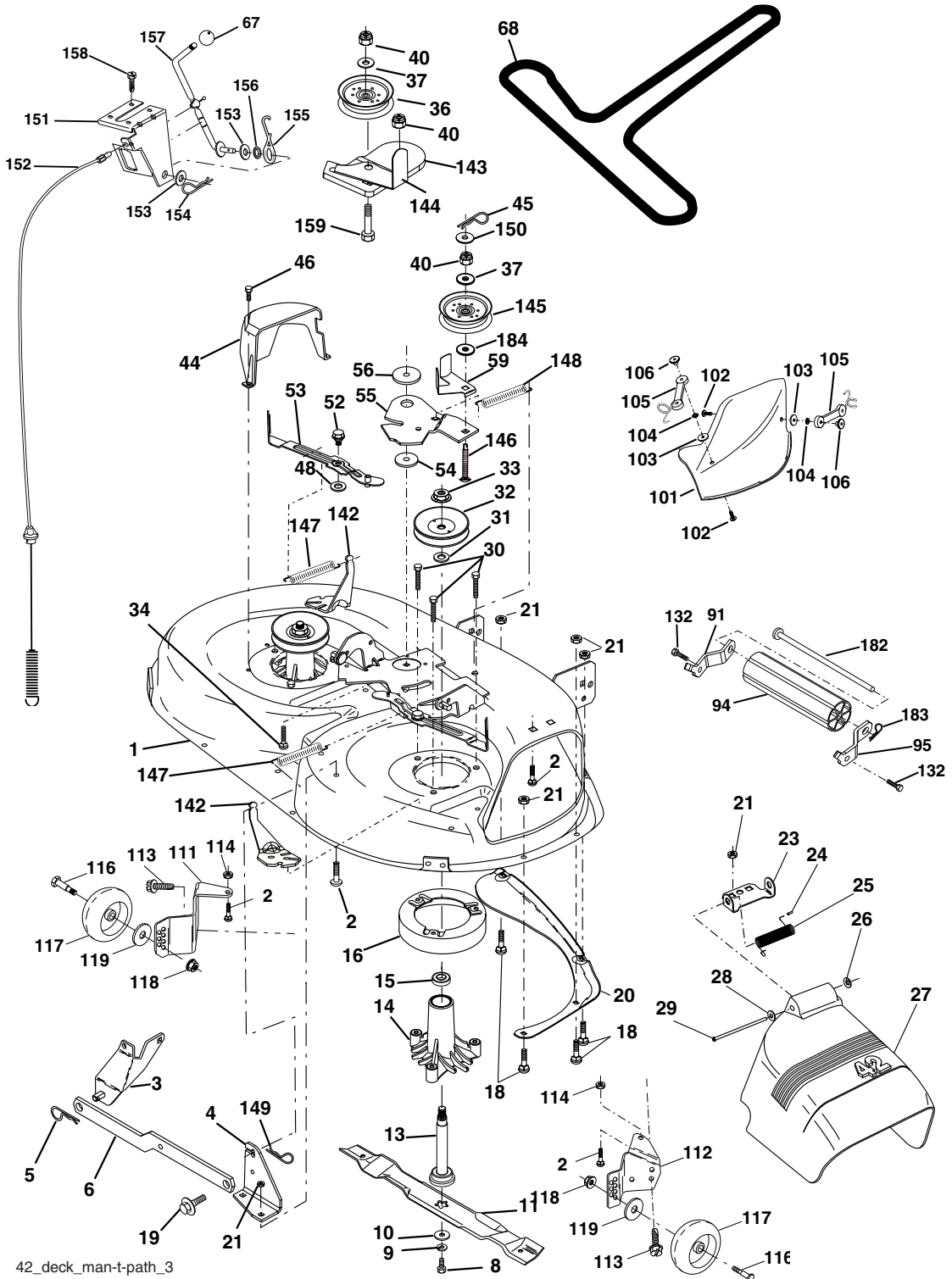
KEY PART NO.	NO.	DESCRIPTION
1	159460	Wire Asm Inner/Sprg W/plunger LT
2	159471	Shaft Asm Lift RH w/Inf
3	105767X	Pin Groove 1 500 Zinc
4	12000002	E Ring #5133-62
5	19211621	Washer 21/32 x 1 x 21 Ga
6	120183X	Bearing Nylon Blk 629 Id
7	109413X	Grip Handle
8	124526X	Button Plunger
11	139865	Link Lift LH Fixed Length
12	139866	Link Lift RH Fixed Length
13	4939M	Retainer Spring
15	173288	Link Front
16	73350800	Nut Jam Hex 1/2-13 Unc
17	175689	Trunnion
18	73800800	Nut Lock W/Wsh 1/2-13 Unc
19	139868	Arm Suspension Rear
20	163552	Retainer Spring
23	110807X	Nut Special

**KEY PART
NO. NO.**

KEY PART NO.	NO.	DESCRIPTION
24	19131016	Washer 13/32 x 5/8 x 16 Ga
25	2876H	Spring 2-1/8"
26	169484	Retainer Clip
27	126971X	Rod Adj Lift Zinc 7.49 Wrk Lg
28	73350600	Nut Hex Jam 3/8-16 Unc
29	138057	Knob Inf 3/8-16 Unc Blk W/sym
30	150233	Trunnion Infin Height
31	169865	Bearing Pvt Lift
32	73540600	Nut Crownlock 3/8 - 24
36	155097	Pointer Height Indicator
37	123935X	Plug Hole Blk 1.485/1.515 Dia.
38	17060516	Screw 5/16-18 x 1
40	19112410	Washer 11/32 x 1-1/2 10 Ga.
41	155098	Indicator Height STLT
49	145212	Nut Hex Flange Lock
50	110452X	Nut PUSh Phos & Oi

NOTE: All component dimensions given in U.S. inches
1 inch = 25.4 mm

TRACTOR - - MODEL NUMBER WA20H42STA PRODUCT NO. 954 56 83-35
MOWER DECK



**TRACTOR - - MODEL NUMBER WA20H42STA PRODUCT NO. 954 56 83-35
MOWER DECK**

KEY PART NO. NO.	DESCRIPTION	KEY PART NO. NO.	DESCRIPTION
1	165892X421 Mower Deck Assembly, 42"	91	180532 Bracket Asm Noseroller LH
2	72140506 Bolt	94	132264 Roller Nose 38 & 42
3	138017 Bracket Asm Fr. Sway Bar 3/42	95	180533 Bracket Asm Noseroller RH
4	165460 Bracket Asm Deck 42" Sway Bar	101	136420 Mulcher Cover
5	4939M Retainer Spring	102	71081010 Screw
6	178024 Bar Sway Deck	103	19061216 Washer, Flat
8	850857 Bolt 3/8-24 x 25 Gr. 8 patched	104	10071000 Washer, Lock
9	10030600 Washer, Lock	105	160793 Latch Assembly
10	140296 Washer, Hardened	106	2029J Nut, Weld
11	134149 Blade, Mulching 42"	111	179292 Bracket, Gauge, Wheel LH
	138498 Blade Mower 42" Hi-Lift	112	179293 Bracket, Gauge, Wheel RH
13	137645 Shaft Assembly, Mandrel, Vented	113	17060510 Screw 3/8-16 x .625
14	128774 Housing, Mandrel, Vented	114	73510500 Nut, Keps 5/16 - 18 Unc
15	110485X Bearing, Ball, Mandrel	115	72110505 Bolt, Carriage 5/16-18 x 5/8
16	174493 Stripper, Mandrel Deck	116	4898H Bolt, Shoulder
18	72140505 Bolt, Carriage 5/16-18 x 5/8	117	165746 Wheel, Gauge
19	132827 Bolt, Shoulder	118	73930600 Nut Centerlock 3/8-16
20	159770 Baffle, Vortex	119	19121414 Washer 3/8 x 7/8 x 14 Ga.
21	73680500 Nut	132	17000612 Screw 3/8-16 x .75
23	177563 Bracket, Deflector Mower 42"	142	165890 Arm Spring Brake Mower
24	105304X Cap, Sleeve 80 x 112 Blk Mower	143	157109 Bracket Arm Idler 42"
25	123713X Spring, Torsion, Deflector 2 52	144	158634 Keeper Belt 42" Clutch Cable
26	110452X Nut, Push Phos & Oil	145	165888 Pulley Idler Flat
27	130968X428 Shield, Deflector 42" Blk	146	171977 Bolt Carriage Idler
28	19111016 Washer 11/32 x 5/8 x 16 Gauge	147	131335 Spring Extension
29	131491 Rod, Hinge 42" 6 75 W/G	148	169022 Spring Return Idler
30	173984 Screw Thdrol Washer Head	149	165898 Retainer Spring Yellow
31	129963 Washer, Spacer Mower Vented	150	19091216 Washer 9/32 x 3/4 x 16 Ga.
32	153535 Pulley, Mandrel	151	169670 Bracket Clutch Cable
33	178342 Nut, Toplock 9/16 Flange	152	169676 Clutch Cable 42"
34	72110614 Bolt	153	169674 Washer Flat 3/8" Type B
36	131494 Pulley, Idler, Flat	154	169675 Spring Retainer
37	19131316 Washer 13/32 x 13/16 x 16 Ga.	155	169671 Spring Retention LVR CLTCH CAB
40	73680600 Nut	156	169672 Spacer Clutch Cable
44	140088 Guard, Mandrel, LH	157	169669 Rod Clutch Cable 3/8"
45	4497H Retainer	158	17720408 Screw Hex Thd Cut 1/4-20 x 5/8
46	137729 Screw, Thdrol 1/4-20 x 5/8 T	159	72140614 Bolt Rdhd Sqn 3/8-16 Unc x 1-3/4
48	133944 Washer, Hardened	182	179126 Rod Nose Roller
49	174284 Roller Assembly, Cam Follower	183	163552 FRetainer Spring
50	131340 Bolt, Shoulder #10-24 Grade 5	184	19131410 Washer 13/32 x 7/8 x 10 Ga.
51	69180 Locknut	--	130794 Mandrel Assembly (Includes Housing, Shaft and Shaft Hardware Only-Pulley Not Included)
52	139888 Bolt, Shoulder 5/16-18 Unc	--	171491 Replacement Mower, Complete
53	131845 Arm Assembly, Pad, Brake		
54	178515 Washer, Hardened		
55	155046 Arm, Idler		
56	165723 Spacer, Retainer		
59	141043 Guard TUV Idler		
67	106932X Knob		
68	144959 V-Belt, 42" Mower		

NOTE: All component dimensions given in U.S.inches
1 inch = 25.4 mm