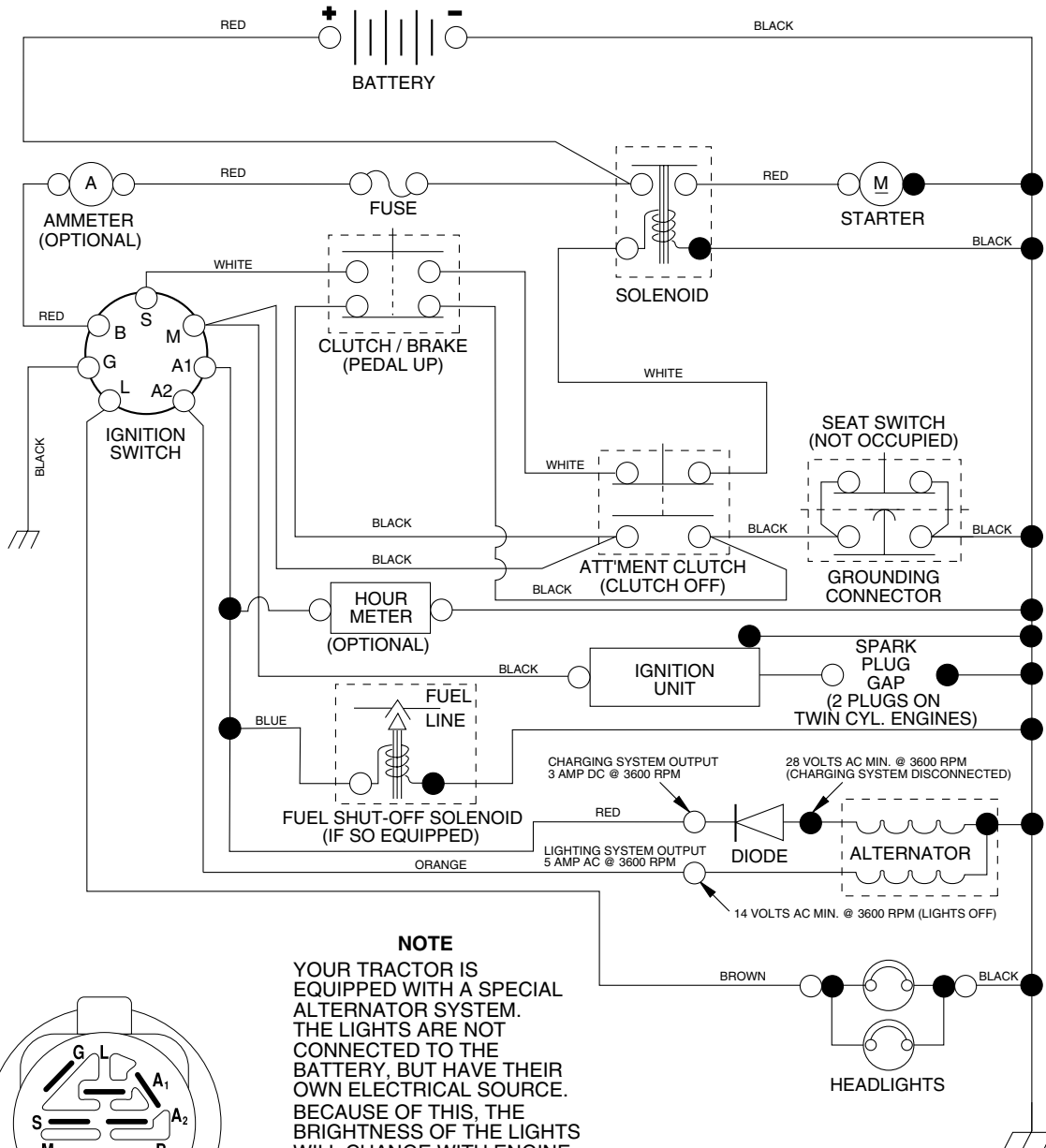


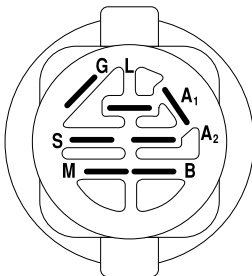
TRACTOR - - MODEL NUMBER SP185H42STB

SCHEMATIC



NOTE

YOUR TRACTOR IS EQUIPPED WITH A SPECIAL ALTERNATOR SYSTEM. THE LIGHTS ARE NOT CONNECTED TO THE BATTERY, BUT HAVE THEIR OWN ELECTRICAL SOURCE. BECAUSE OF THIS, THE BRIGHTNESS OF THE LIGHTS WILL CHANGE WITH ENGINE SPEED. AT IDLE THE LIGHTS WILL DIM. AS THE ENGINE IS SPEEDED UP, THE LIGHTS WILL BECOME THEIR BRIGHTEST.



IGNITION SWITCH

| POSITION | CIRCUIT | "MAKE" |
|-----------|------------|--------|
| OFF | M+G+A1 | NONE |
| RUN/LIGHT | B+A1 | A2+L |
| RUN | B+A1 | NONE |
| START | B + S + A1 | NONE |

WIRING INSULATED CLIPS

NOTE: IF WIRING INSULATED CLIPS WERE REMOVED FOR SERVICING OF UNIT, THEY SHOULD BE REPLACED TO PROPERLY SECURE YOUR WIRING.

02363

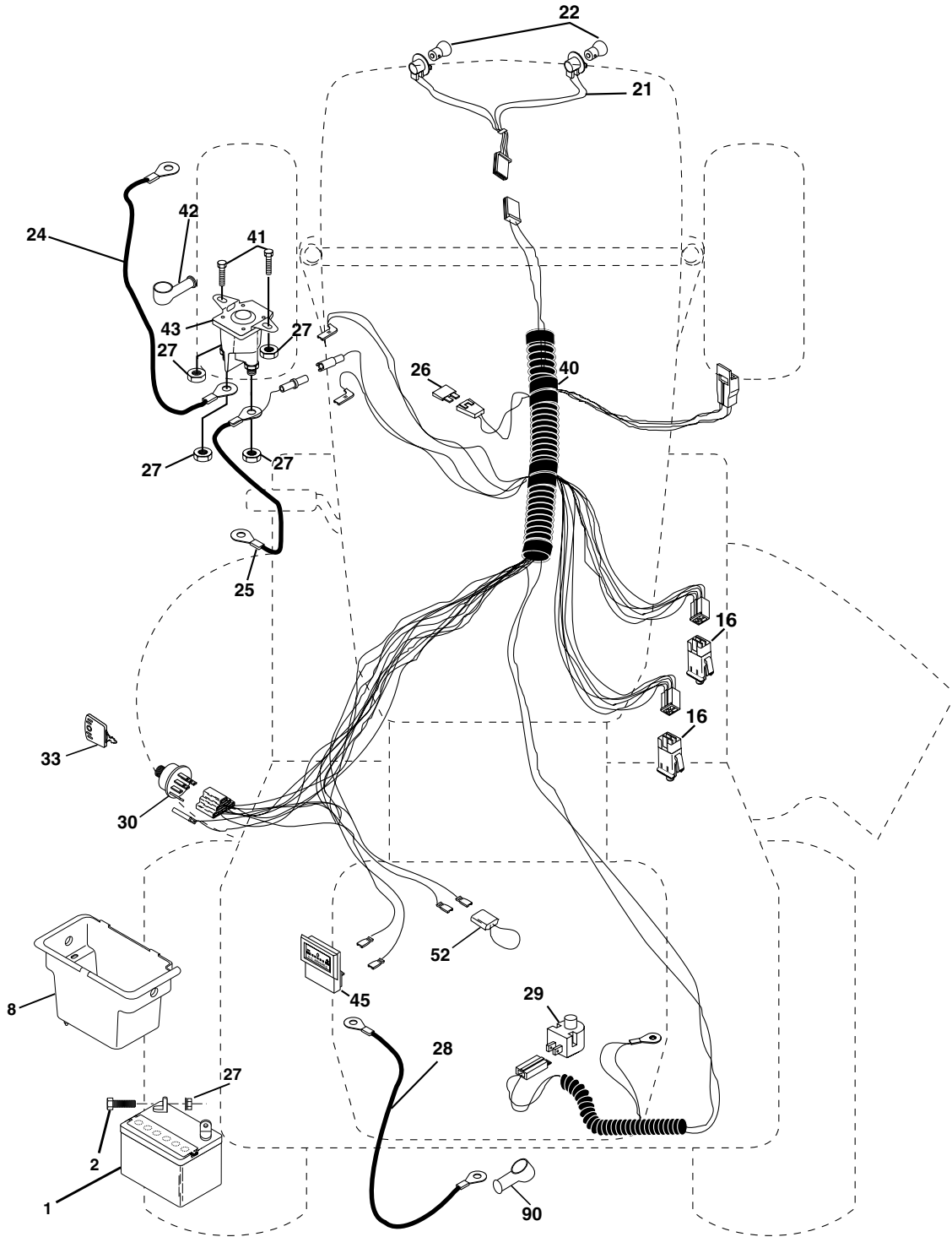
NON-REMOVABLE CONNECTIONS

REMOVABLE CONNECTIONS

REPAIR PARTS

TRACTOR - - MODEL NUMBER SP185H42STB

ELECTRICAL



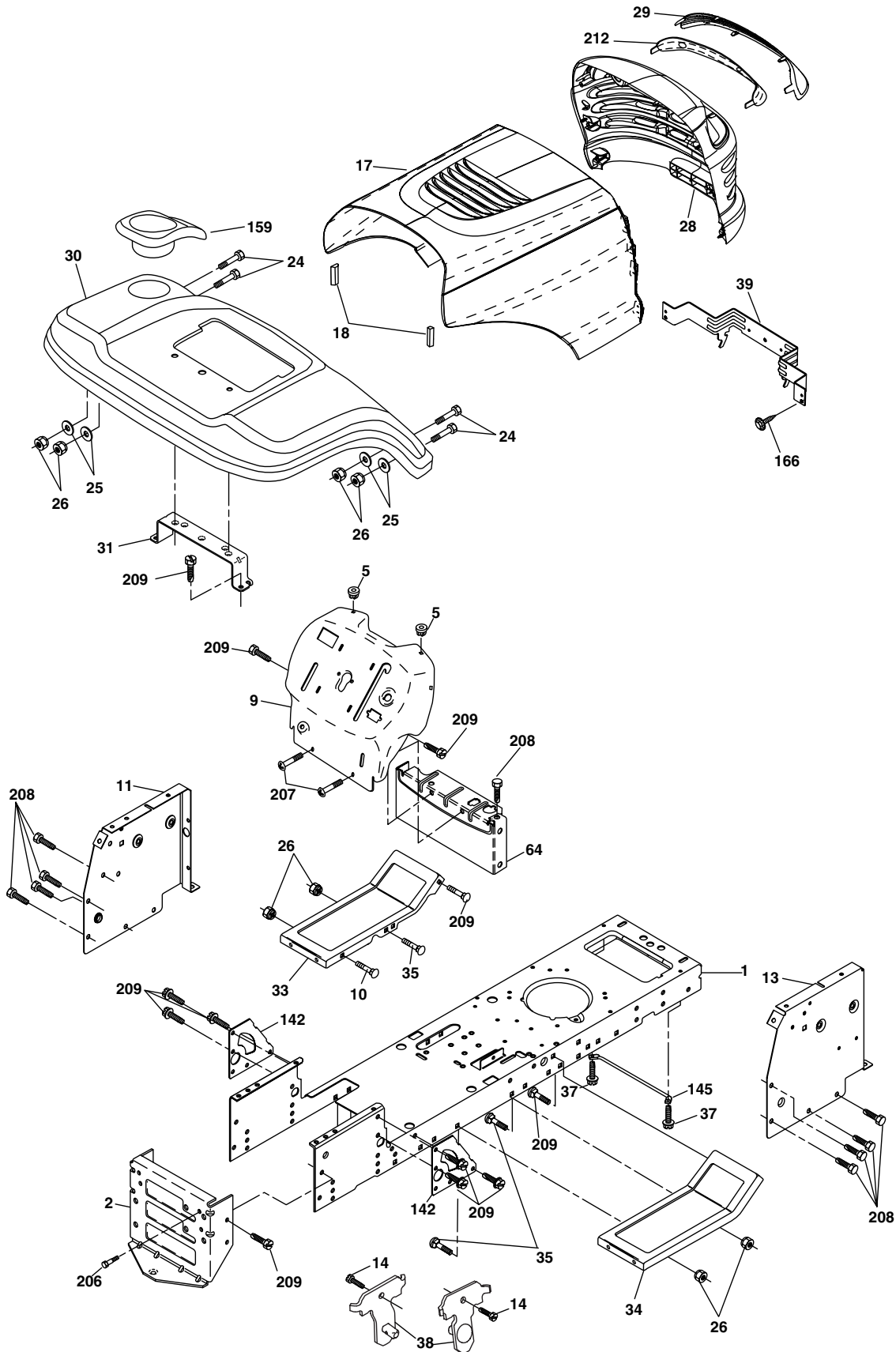
TRACTOR - - MODEL NUMBER SP185H42STB

ELECTRICAL

| KEY NO. | PART NO. | DESCRIPTION |
|----------------|-----------------|---------------------------------------|
| 1 | 163465 | Battery |
| 2 | 74760412 | Bolt Hex Hd 1/4-20 unc x 3/4 |
| 8 | 176689 | Box Battery |
| 16 | 176138 | Switch Interlock |
| 21 | 183759 | Harness Socket Light |
| 22 | 4152J | Bulb, Light # 1156 |
| 24 | 4799J | Cable Battery |
| 25 | 146147 | Cable Battery 6 Ga. Red w/16 wire 44" |
| 26 | 175158 | Fuse |
| 27 | 73510400 | Nut Keps Hex 1/4-20 unc |
| 28 | 4207J | Cable Ground 12" Blk 6 Ga. |
| 29 | 121305X | Switch Plunger Nc Gray |
| 30 | 175566 | Switch Ign |
| 33 | 140401 | Key Ign Molded Generic |
| 40 | 179720 | Harness Ign |
| 41 | 71110408 | Bolt Fin Hex 1/4-20 unc x 1/2 |
| 42 | 131563 | Cover Terminal Red |
| 43 | 178861 | Solenoid |
| 45 | 121433X | Ammeter Rectangular |
| 52 | 141940 | Protection Loop |
| 90 | 180449 | Cover Terminal |

NOTE: All component dimensions given in U.S. inches
1 inch = 25.4 mm

TRACTOR - - MODEL NUMBER SP185H42STB CHASSIS AND ENCLOSURES



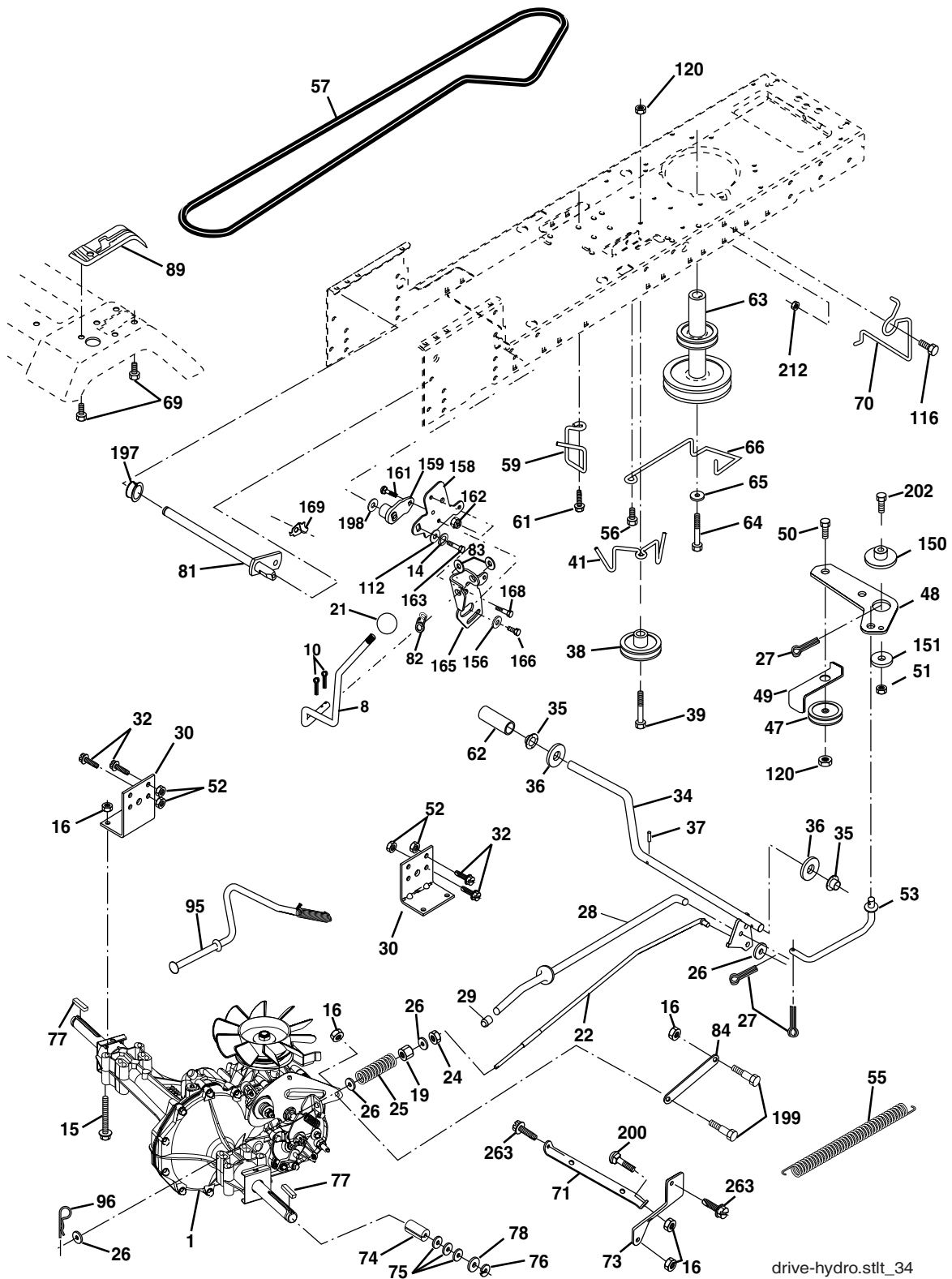
chassis_elite value_stlt_3

**TRACTOR - - MODEL NUMBER SP185H42STB
CHASSIS AND ENCLOSURES**

| KEY NO. | PART NO. | DESCRIPTION |
|----------------|-------------------|--|
| 1 | 174619 | Chassis |
| 2 | 176554 | Drawbar |
| 5 | 155272 | Bumper Hood/Dash |
| 9 | 187846X012 | Dash P/L |
| 10 | 72140608 | Bolt Carriage 3/8-16 x 1 |
| 11 | 174996 | Panel Dash Lh |
| 13 | 179174X010 | Panel Dash Rh |
| 14 | 17490608 | Screw Thdrol 3/8-16 x 1/2 |
| 17 | 183394X505 | Hood |
| 18 | 126938X | Bumper Hood |
| 24 | 74780616 | Bolt Fin Hex 3/8-16 unc x 1 Gr. 5 |
| 26 | 73800600 | Nut Lock Hex W/Ins 3/8-16 unc |
| 28 | 183552 | Grille/Lens Asm(Includes #'s 29 and 212) |
| 29 | 183549X599 | Lens Grille |
| 30 | 169470X505 | Fender |
| 31 | 136619 | Bracket Fender |
| 33 | 179716X505 | Footrest LH |
| 34 | 179717X505 | Footrest RH |
| 35 | 72110606 | Bolt RDHD SHT SQNK 3/8-16 x 3/4 |
| 37 | 17490508 | Screw Thdrol 6/16-18 x 1/2 TYT |
| 38 | 175710 | Bracket Asm Pivot Mower Rear |
| 39 | 174714 | Bracket Pivot |
| 58 | 150127 | Duct Air |
| 64 | 154798 | Dash Lower STLT |
| 142 | 175702 | Plate Reinforcement STLT |
| 145 | 156524 | Rod Pivot Chassis/Hood |
| 159 | 169473X428 | Cupholder |
| 166 | 171875 | Screw Hwhd Hi-Lo #13-16 x 3/4 |
| 206 | 170165 | Bolt Shoulder 5/16-18 |
| 208 | 17670608 | Screw Thdrol 3/8-16 x 1/2 |
| 209 | 17000612 | Screw Hexwsh Thdr 3/8-16 x 3/4 |
| 212 | 183550 | Insert Grille Reflective |
| -- | 5479J | Plug BTN BIK |
| -- | 187801 | Plug Dome Plastic Choke Hole |

NOTE: All component dimensions given in U.S. inches
1 inch = 25.4 mm

TRACTOR - - MODEL NUMBER SP185H42STB GROUND DRIVE



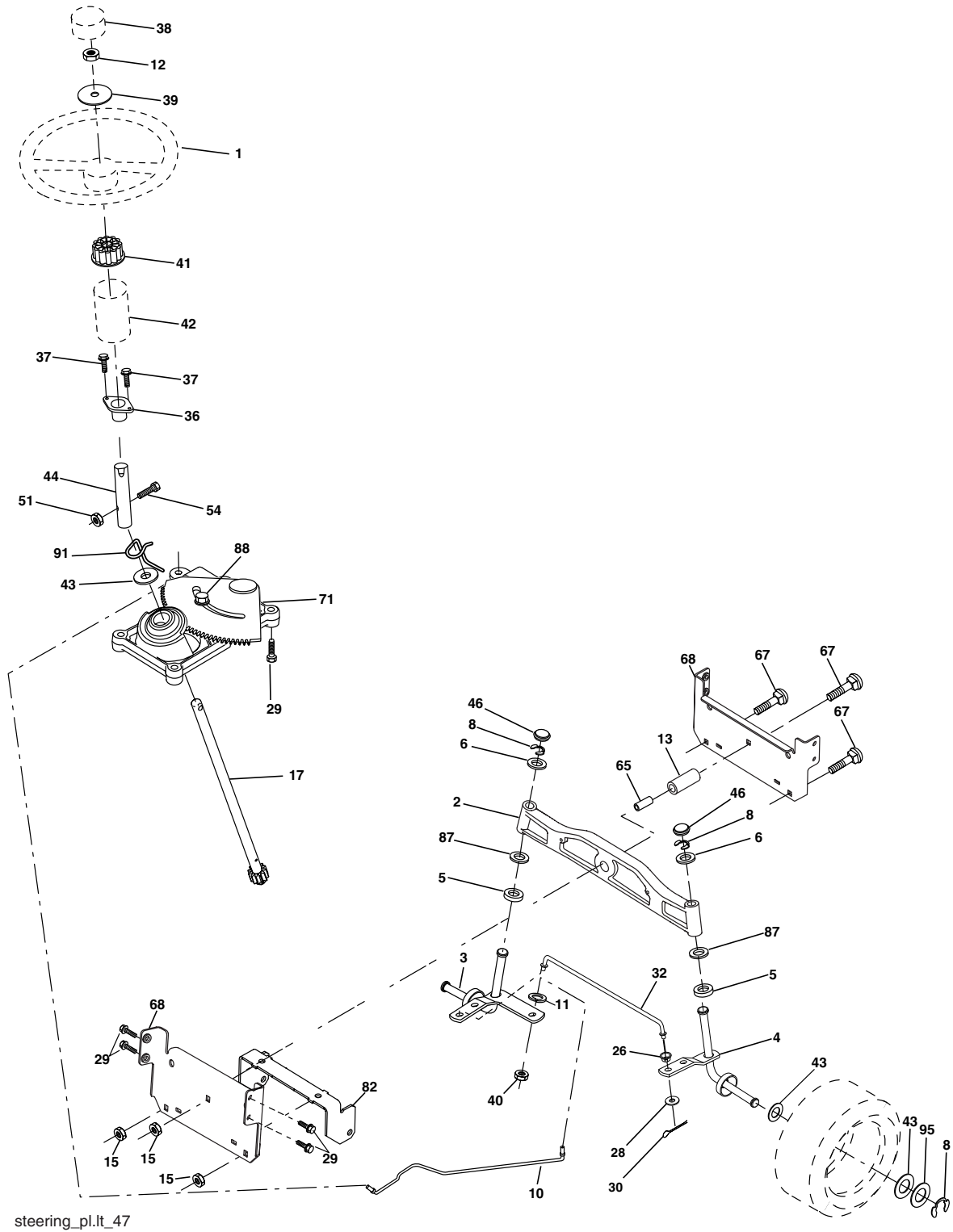
TRACTOR - - MODEL NUMBER SP185H42STB

GROUND DRIVE

| KEY NO. | PART NO. | DESCRIPTION | KEY NO. | PART NO. | DESCRIPTION |
|---------|----------|---|---------|------------|-----------------------------------|
| 1 | ----- | Transaxle Hydro Gear 314-0510 (Order Parts From Transaxle Manufacturer) | 66 | 154778 | Keeper Belt Engine |
| | | | 69 | 142432 | Screw Hex Wsh Hi-Lo 1/4-1/2 unc |
| | | | 70 | 134683 | Guide Belt |
| 8 | 165619 | Rod Shift | 71 | 169183 | Strap Torque Lh Hydro |
| 10 | 76020416 | Pin Cotter 1/8 x 1 CAD | 73 | 169182 | Strap Torque Rh Hydro |
| 14 | 10040400 | Washer Lock Hvy Helical | 74 | 137057 | Spacer, Axle |
| 15 | 74490544 | Bolt, Hex FLGHD 5/16-18 Gr. 5 | 75 | 121749X | Washer 25/32 x 1-1/4 x 16 Ga. |
| 16 | 73800500 | Nut Lock Hex W/Ins 5/16-18 unc | 76 | 12000001 | E-Ring |
| 19 | 73800600 | Nut Lock Hex W/Wsh 3/8-16 unc | 77 | 123583X | Key, Square |
| 21 | 106932X | Knob | 78 | 121748X | Washer 25/32 x 1-5/8 x 16 Ga. |
| 22 | 169498 | Rod, Brake Hydro | 81 | 165596 | Shaft Asm. Cross Hydro |
| 24 | 73350600 | Nut | 82 | 123782X | Spring Torsion T/A |
| 25 | 106888X | Spring, Brake Rod | 83 | 19171216 | Washer 17/32 x 3/4 x 16 Ga. |
| 26 | 19131316 | Washer | 84 | 169594 | Link Transaxle |
| 27 | 76020412 | Pin Cotter 1/8 x 3/4 CAD. | 89 | 169373X428 | Console, Shift |
| 28 | 175765 | Rod, Parking Brake | 95 | 170201 | Control Asm Bypass Hydro |
| 29 | 71673 | Cap, Parking Brake | 96 | 4497H | Retainer Spring 1" Zinc/Cad |
| 30 | 169592 | Bracket, Transaxle | 112 | 19091210 | Washer 9/32 x 3/4 x 10 Ga. |
| 32 | 74760512 | Bolt Hex Hd 5/16-18 unc x 3/4 | 116 | 72140608 | Bolt RDHD SQNK 3/8-16 unc x 1 |
| 34 | 175578 | Shaft, Foot Pedal | 120 | 73900600 | Nut Lock Flg 3/8-16 unc |
| 35 | 120183X | Bearing, Nylon | 150 | 175456 | Spacer Retainer |
| 36 | 19211616 | Washer | 151 | 19133210 | Washer 13/32 x 2 x 10 Ga. |
| 37 | 1572H | Pin, Roll | 156 | 166002 | Washer Srrted 5/16 ID x 1.125 |
| 38 | 179114 | Pulley, Composite | 158 | 165589 | Bracket Shift Mount |
| 39 | 72110622 | Bolt Rdhd 3/8-16 unc x 2-3/4 Gr. 5 | 159 | 183900 | Hub Shift |
| 41 | 175556 | Keeper, Belt Idler | 161 | 72140406 | Bolt Rdhd Sqnk 1/4-20 x 3/4 Gr. 5 |
| 47 | 127783 | Pulley, Idler, V-Groove | 162 | 73680400 | Nut Crownlock 1/4-20 unc |
| 48 | 154407 | Bellcrank Clutch Grnd Drv STL | 163 | 74780416 | Bolt Hex Fin 1/4-20 unc x 1 Gr. 5 |
| 49 | 123205X | Retainer, Belt | 165 | 165623 | Bracket Pivot Lever |
| 50 | 72110612 | Bolt Carr Sh 3/8-16 x 1-1/2 Gr. 5 | 166 | 17490510 | Screw 5/16-18 x 5/8 |
| 51 | 73680600 | Nut Crownlock 3/8-16 unc | 168 | 165492 | Bolt Shoulder 5/16-18 x .561 |
| 52 | 73680500 | Nut Crownlock 5/16-18 unc | 169 | 165580 | Plate Fastening Lt |
| 53 | 105710X | Link, Clutch | 197 | 169613 | Nyliner Snap-In 5/8" ID |
| 55 | 105709X | Spring, Return, Clutch | 198 | 169593 | Washer Nyl 7/8 ID x .105 |
| 56 | 17060620 | Screw 3/8-16 x 1-1/4 | 199 | 169612 | Bolt Shoulder 5/16-18 unc |
| 57 | 140294 | V-Belt, Ground Drive | 200 | 72140508 | Bolt Rdhd Sqnk 5/16-18 unc x 1 |
| 59 | 169691 | Keeper, Center Span | 202 | 72110614 | Bolt Carr Sh 3/8-16 x 1-3/4 Gr. 5 |
| 61 | 17120614 | Screw 3/8-16 x .875 | 212 | 145212 | Nut Hex flange Lock |
| 62 | 8883R | Cover, Pedal | | | |
| 63 | 175410 | Pulley, Engine | | | |
| 64 | 173937 | Bolt Hex 7/16-20 x 4 x Gr. 5-1.5 | | | |
| 65 | 10040700 | Washer | | | |

NOTE: All component dimensions given in U.S.
inches 1 inch = 25.4 mm

TRACTOR - - MODEL NUMBER SP185H42STB STEERING ASSEMBLY



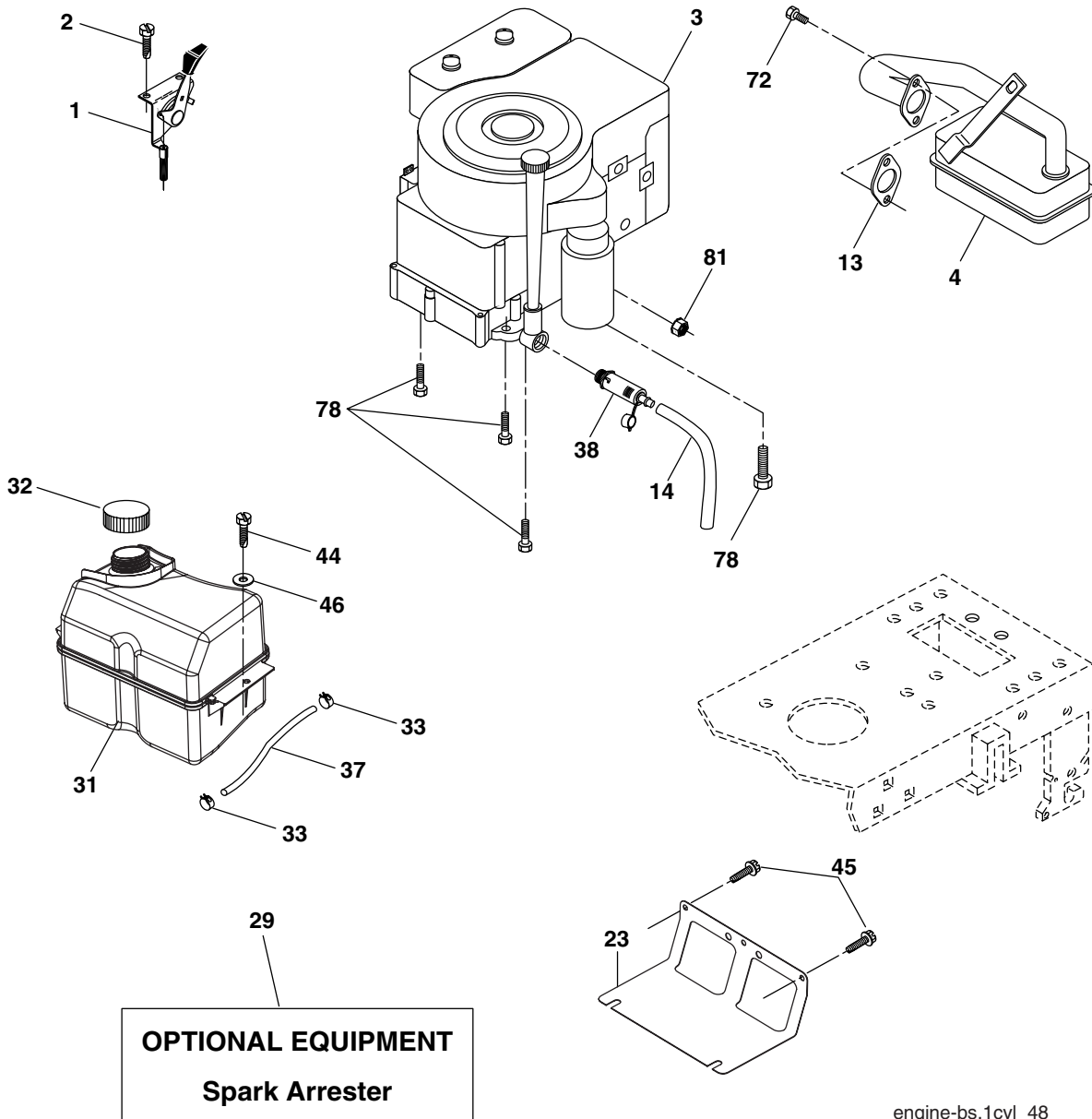
**TRACTOR - - MODEL NUMBER SP185H42STB
STEERING ASSEMBLY**

| KEY NO. | PART NO. | DESCRIPTION |
|--------------------|---------------------|-----------------------------------|
| 1 | 184704X428 | Wheel Steering |
| 2 | 184706 | Axle Asm Cast Iron LT |
| 3 | 169840 | Spindle Asm LH |
| 4 | 169839 | Spindle Asm RH |
| 5 | 6266H | Bearing Race Thrust Harden |
| 6 | 121748X | Washer 25/32 x 1-5/8 x 16 Ga. |
| 8 | 12000029 | Ring Klip #t5304-75 |
| 10 | 175121 | Link Drag |
| 11 | 10040600 | Washer Lock Hvy Hlcl Spr 3/8 |
| 12 | 73940800 | Nut Hex Jam Toplock 1/2-20 unf |
| 13 | 136518 | Spacer Brg Axle Front |
| 15 | 145212 | Nut Hex Flange Lock |
| 17 | 180641 | Shaft Asm Steering |
| 26 | 126847X | Bushing Link Drag |
| 28 | 19131416 | Washer 13/32 x 7/8 x 16 Ga. |
| 29 | 17000612 | Screw 3/8-16 x .75 |
| 30 | 76020412 | Pin Cotter 1/8 x 3/4 |
| 32 | 130465 | Rod Tie |
| 36 | 155099 | Bushing Strg |
| 37 | 152927 | Screw |
| 38 | 159946X428 | Insert Cap Strg Wh |
| 39 | 19182411 | Washer 9/16 x 1 1/20 x 11 Ga. |
| 40 | 73540600 | Crownlock nut |
| 41 | 159945 | Adaptor Wheel Strg |
| 42 | 145054X428 | Boot Steering Dash |
| 43 | 121749X | Washer 25/32 x 1 1/4 x 16 Ga. |
| 44 | 180640 | Extension Steering Shaft |
| 46 | 121232X | Cap Spindle Fr Top Blk |
| 51 | 73540400 | Nut Crownlock 1/4-28 |
| 54 | 71130420 | Bolt Hex 1/4-28 unf x 1-1/4 Gr. 8 |
| 65 | 160367 | Spacer Brace Axle |
| 67 | 72110618 | Bolt RDHD SQNK 3/8-16 x 2 1/4 |
| 71 | 175146 | Steering Asm |
| 68 | 169827 | Axle, Brace |
| 82 | 169835 | Bracket Susp Chassis Front |
| 87 | 173966 | Washer Flat .781 x 1-1/2 x .14 |
| 88 | 175118 | Bolt Shoulder 7/16-20 unc |
| 91 | 175553 | Clip Steering |
| 95 | 188967 | Washer Harden .739 x 1.637 x 060 |

NOTE: All component dimensions given in U.S. inches
1 inch = 25.4 mm

TRACTOR - - MODEL NUMBER SP185H42STB

ENGINE



engine-bs.1cyl_48

| KEY PART NO. | NO. | DESCRIPTION |
|--------------|----------|--|
| 1 | 170551 | Control, Throttle |
| 2 | 17720408 | Screw Hex Thd Cut 1/4-20 x 1/2 |
| 3 | ----- | Engine Briggs Model 31P777 (Order Parts from Engine Mfg.) |
| 4 | 137352 | Muffler |
| 13 | 165291 | Muffler Gasket |
| 14 | 148456 | Tube Oil Drain |
| 23 | 169837 | Shield, Browning/Debris Guard |
| 29 | 137180 | Arrester, Spark |
| 31 | 185534 | Tank, Fuel |
| 32 | 140527 | Cap, Fuel |
| 33 | 123487X | Clamp, Hose Blk |
| 37 | 137040 | Line, Fuel |
| 38 | 181654 | Plug Drain Oil Easy |
| 44 | 17670412 | Screw Hex Wsh THDROL 1/4-20 x 3/4 |

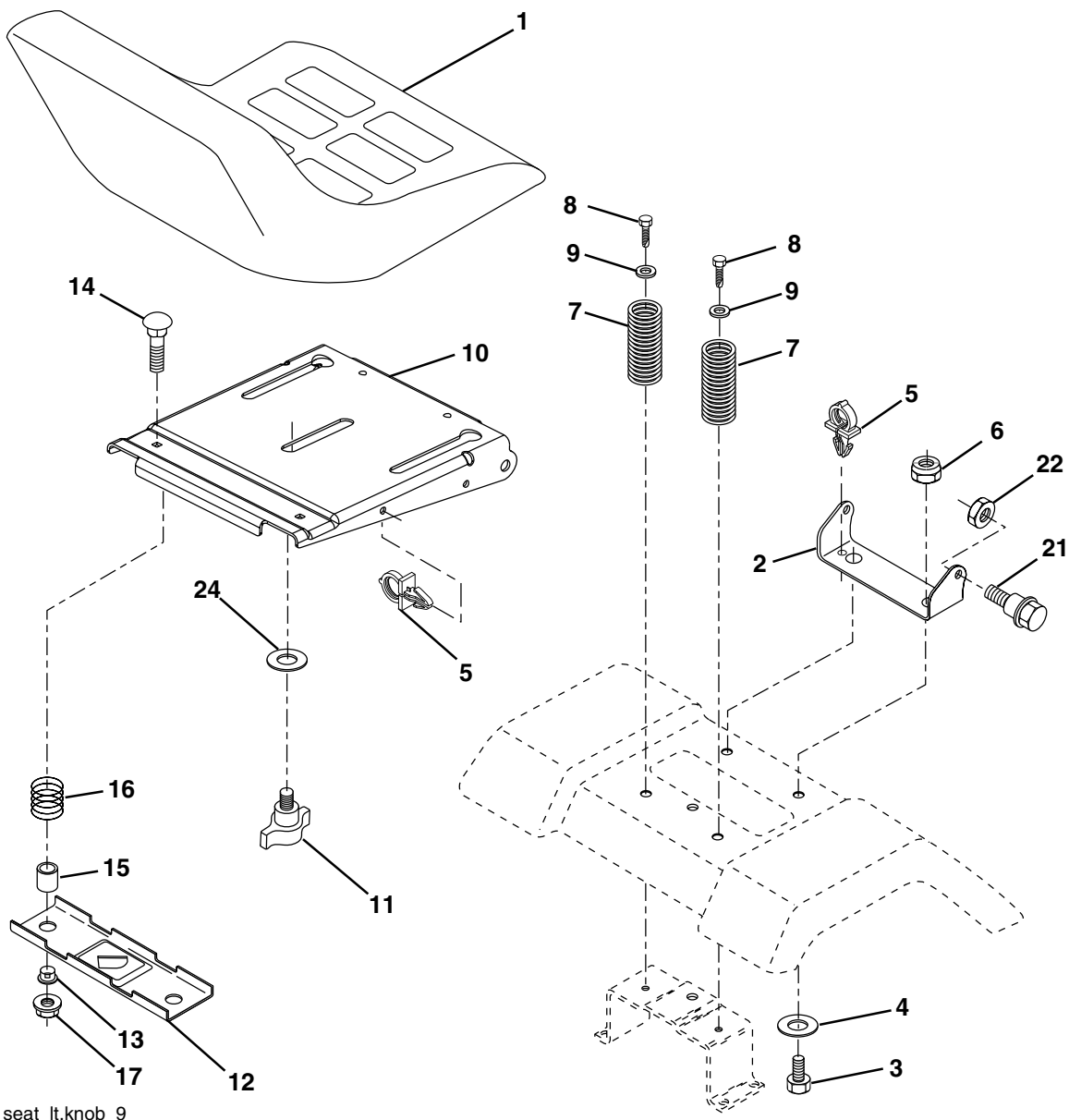
| KEY PART NO. | NO. | DESCRIPTION |
|--------------|----------|--------------------------------------|
| 45 | 17000612 | Screw Hex Wsh Thdrol 3/8-16 x 3/4 |
| 46 | 19091416 | Washer 9/32 x 7/8 x 16 Ga. |
| 72 | 183906 | Screw Socket Head 5/16-18 x 1 |
| 78 | 17060620 | Screw 3/8-16 x 1-1/4 |
| 81 | 73510400 | Nut Keps Hex 1/4-20 unc |

NOTE: All component dimensions given in U.S. inches
1 inch = 25.4 mm

For engine service and replacement parts, call the toll free number for your engine manufacturer listed below:

| | |
|-------------------|----------------|
| Briggs & Stratton | 1-800-233-3723 |
| Kohler Co. | 1-800-544-2444 |
| Tecumseh Products | 1-800-558-5402 |
| Honda Engines | 1-800-426-7701 |
| Kawasaki | 1-949-460-5688 |

**TRACTOR - - MODEL NUMBER SP185H42STB
SEAT ASSEMBLY**



seat_lt.knob_9

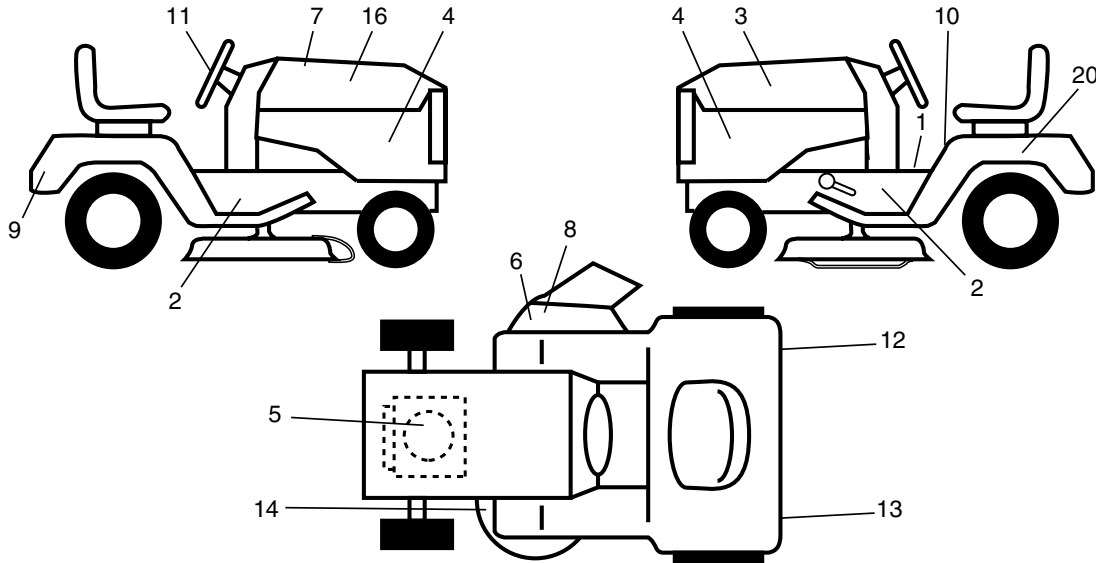
| KEY PART NO. | NO. | DESCRIPTION |
|--------------|----------|--------------------------------|
| 1 | 188704 | Seat |
| 2 | 180166 | Bracket Pivot Fender |
| 3 | 71110616 | Bolt Fin Hex 3/8-16 unc x 1 |
| 4 | 19131610 | Washer 13/32 x 1 x 10 Ga. |
| 5 | 145006 | Clip Push-In |
| 6 | 73800600 | Nut Hex w/Ins. 3/8-16 unc |
| 7 | 124181X | Spring Seat Cprsn 2 250 Blk Zi |
| 8 | 17000616 | Screw 3/8-16 x 1.5 Smgml |
| 9 | 19131614 | Washer 13/32 x 1 x 14 Ga. |
| 10 | 180186 | Pan Seat |
| 11 | 166369 | Knob Seat |
| 12 | 121246X | Bracket Mounting Switch |

| KEY PART NO. | NO. | DESCRIPTION |
|--------------|----------|---------------------------------|
| 13 | 121248X | Bushing Snap Blk Nyl 50 Id |
| 14 | 72050412 | Bolt Rdhd Sqnk 1/4-20 x 1-1/2 |
| 15 | 134300 | Spacer Split 28x 88 |
| 16 | 121250X | Spring Cprsn |
| 17 | 123976X | Nut Lock 1/4 Lge Flg Gr. 5 Zinc |
| 21 | 171852 | Bolt Shoulder 5/16-18 unc |
| 22 | 73800500 | Nut Hex Lock W/Ins 5/16-18 |
| 24 | 19171912 | Washer 17/32 x 1-3/16 x 12 Ga. |

NOTE: All component dimensions given in U.S. inches
1 inch = 25.4 mm

TRACTOR -- MODEL NUMBER SP185H42STB

DECALS



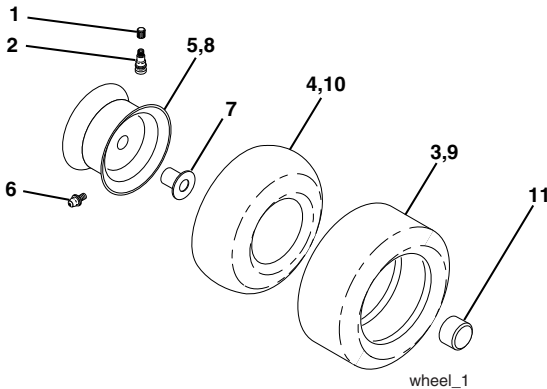
KEY PART NO. NO.

| KEY PART NO. | NO. | DESCRIPTION |
|--------------|--------|-------------------------------|
| 1 | 156811 | Decal Oper |
| 2 | 190534 | Decal Chassis |
| 3 | 190428 | Decal Hood LH |
| 4 | 189289 | Decal Side Panel Logo |
| 5 | 189288 | Decal HP Engine |
| 6 | 170563 | Decal Warning, Keep Hand Away |
| 7 | 190746 | Decal Replacement Parts |
| 8 | 179128 | Decal Deck "B" 42" |
| 9 | 190429 | Decal Fender Logo |
| 10 | 157141 | Decal Fender Danger |
| 11 | 190430 | Decal Ins Strg Whl |

KEY PART NO. NO.

| KEY PART NO. | NO. | DESCRIPTION |
|--------------|---------------|--------------------------------|
| 12 | 173587 | Decal Fend Reflector Rh |
| 13 | 173589 | Decal Fend Reflector Lh |
| 14 | 160396 | Decal V-Belt Schematic |
| 16 | 190427 | Decal Hood Rh |
| 20 | 145005 | Decal Bat Dan/Psn |
| -- | 166960 | Decal By Pass Lt Hydro |
| -- | 179768X428 | Pad Footrest LH |
| -- | 179769X428 | Pad Footrest RH |
| -- | 138311 | Decal Handle Lft Height Adjust |
| -- | 191854 | Manual Owner's (English) |
| -- | 191855 | Manual Owner's (Spanish) |

WHEELS & TIRES

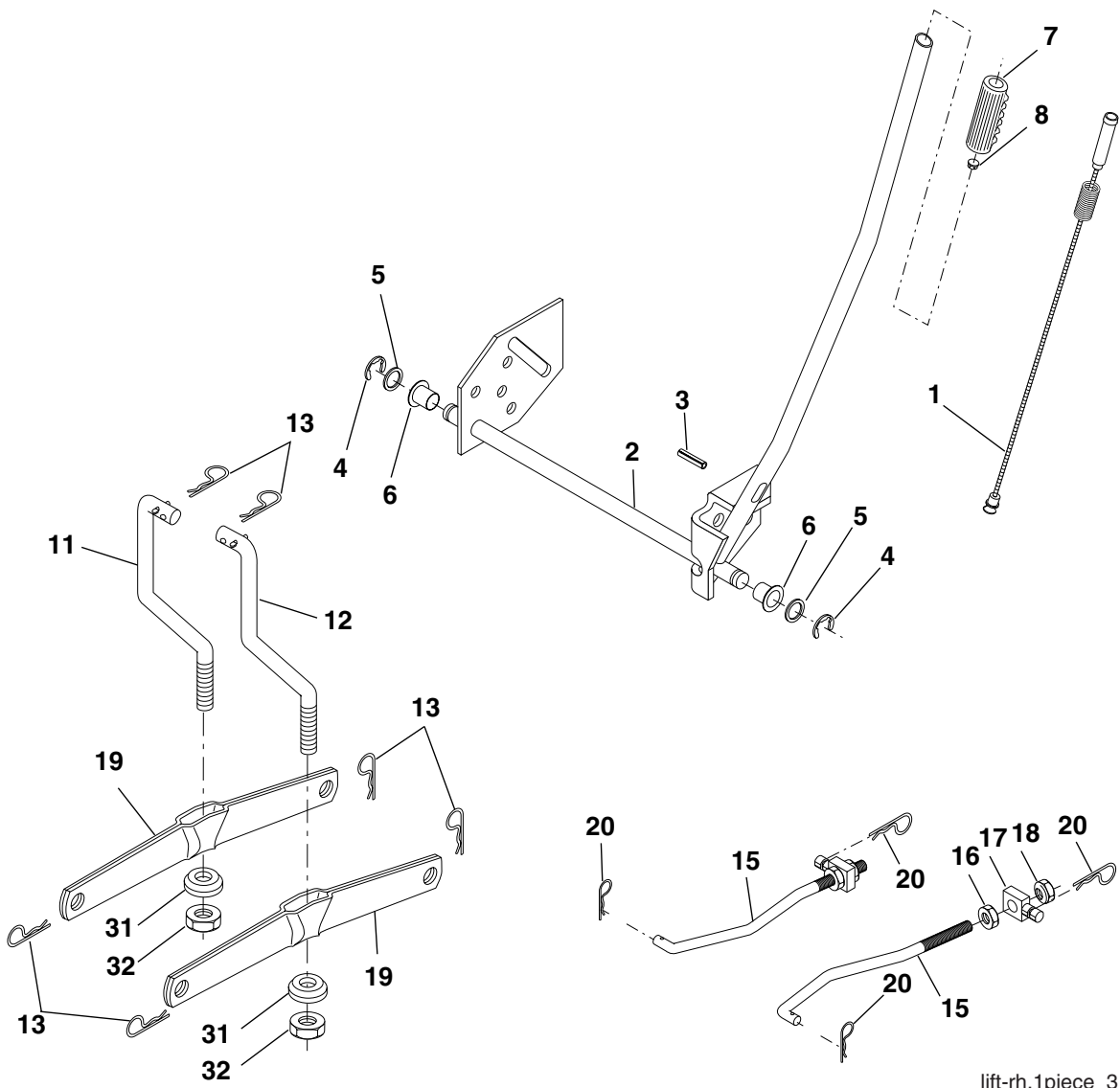


KEY PART NO. NO.

| KEY PART NO. | NO. | DESCRIPTION |
|--------------|------------|-----------------------------------|
| 1 | 59192 | Cap Valve Tire |
| 2 | 65139 | Stem Valve |
| 3 | 106222X | Tire F T 15 x 6 0 - 6 Service |
| 4 | 59904 | Tube Front (Service Item Only) |
| 5 | 106732X624 | Rim Asm 6" front Service |
| 6 | 278H | Fitting Grease (Front Wheel Only) |
| 7 | 9040H | Bearing Flange (Front Wheel nly) |
| 8 | 106108X624 | Rim Asm 8" rear Service |
| 9 | 122082X | Tire R T 20 x 10-8 Service |
| 10 | 7152J | Tube Rear (Service Item Only) |
| 11 | 104757X428 | Cap Axle Blk 1 50 x 1 00 |
| -- | 144334 | Sealant, Tire (10 oz. Tube) |

NOTE: All component dimensions given in U.S. inches
1 inch = 25.4 mm

TRACTOR - - MODEL NUMBER SP185H42STB
LIFT ASSEMBLY



lift-rh.1piece_3

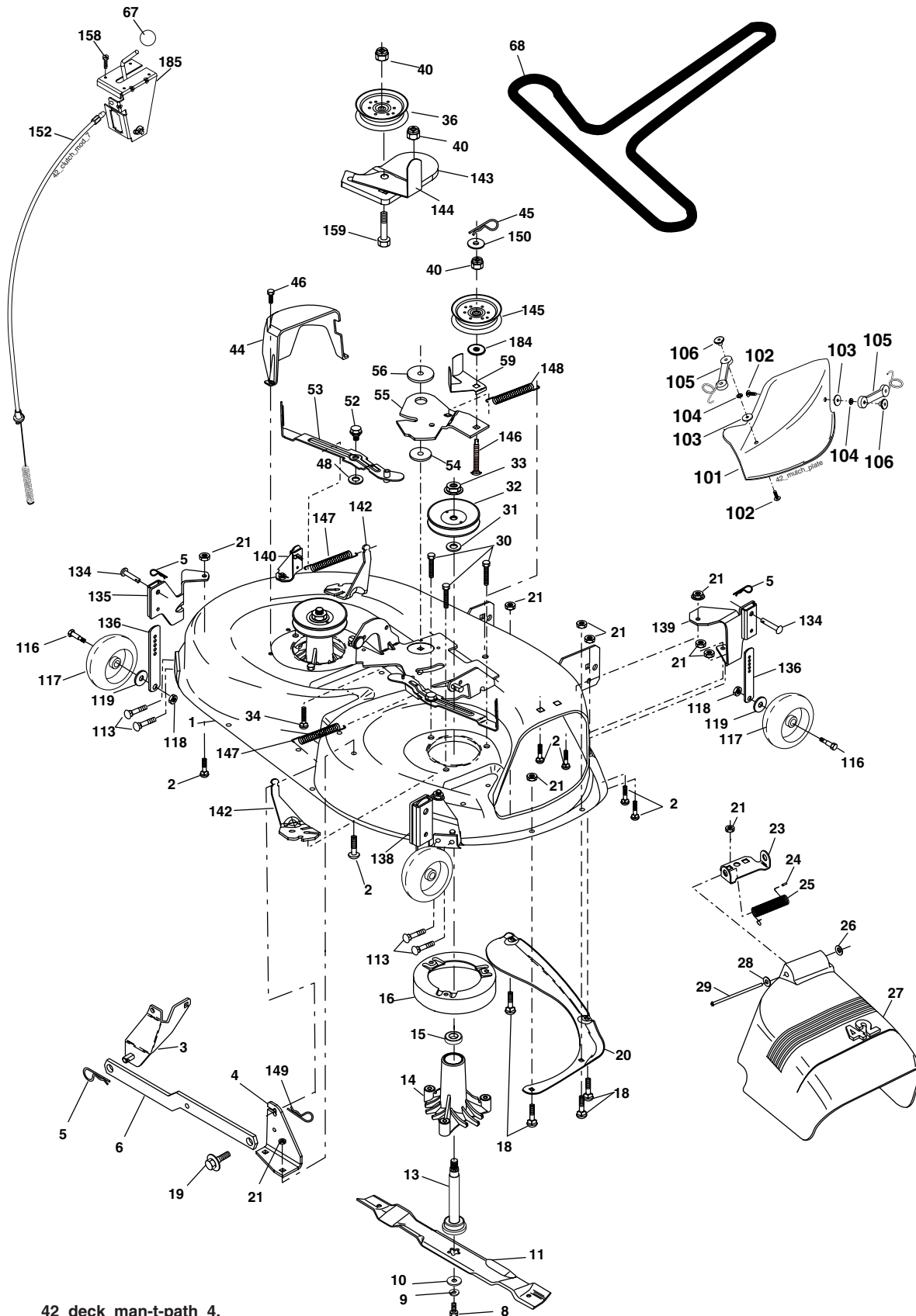
| KEY PART NO. | PART NO. | DESCRIPTION |
|--------------|---------------|-------------------------------|
| 1 | 159461 | Wire Asm Inner/Sprg W/plunger |
| 2 | 159476 | Shaft Asm Lift RH w/Inf |
| 3 | 188822 | Pin Groove 5/16 x 1.875 |
| 4 | 12000002 | E Ring #5133-62 |
| 5 | 19211621 | Washer 21/32 x 1 x 21 Ga. |
| 6 | 120183X | Bearing Nylon Blk 629 Id |
| 7 | 125631X | Grip Handle |
| 8 | 124526X | Button Plunger |
| 11 | 139865 | Link Lift LH Fixed Length |
| 12 | 139866 | Link Lift RH Fixed Length |
| 13 | 4939M | Retainer Spring |

| KEY PART NO. | PART NO. | DESCRIPTION |
|--------------|----------|---------------------------|
| 15 | 173288 | Link Front |
| 16 | 73350800 | Nut Jam Hex 1/2-13 unc |
| 17 | 175689 | Trunnion |
| 18 | 73800800 | Nut Lock W/Wsh 1/2-13 unc |
| 19 | 139868 | Arm Suspension Rear |
| 20 | 163552 | Retainer Spring |
| 31 | 169865 | Bearing Pvt Lift |
| 32 | 73540600 | Nut Crownlock 3/8 - 24 |

NOTE: All component dimensions given in U.S. inches
 1 inch = 25.4 mm

TRACTOR -- MODEL NUMBER SP185H42STB

MOWER DECK



42_deck_man-t-path_4.

TRACTOR - - MODEL NUMBER SP185H42STB

MOWER DECK

| KEY NO. | PART NO. | DESCRIPTION | KEY NO. | PART NO. | DESCRIPTION |
|---------|------------|--|---------|----------|---|
| 1 | 182032X | Mower Deck Assembly, 42" | 55 | 155046 | Arm, Idler |
| 2 | 72140506 | Bolt | 56 | 165723 | Spacer, Retainer |
| 3 | 138017 | Bracket Asm Fr. Sway Bar 3/42 | 59 | 141043 | Guard TUV Idler |
| 4 | 165460 | Bracket Asm Deck 42" Sway Bar | 67 | 171598 | Knob Round |
| 5 | 4939M | Retainer Spring | 68 | 144959 | V-Belt, 42" Mower |
| 6 | 178024 | Bar Sway Deck | 101 | 136420 | Mulcher Cover |
| 8 | 850857 | Bolt 3/8-24 x 1.25 Gr. 8 patched | 102 | 71081010 | Screw, Pan Hd Phillip 10-24 x 5/8 |
| 9 | 10030600 | Washer, Lock | 103 | 19061216 | Washer, Flat |
| 10 | 140296 | Washer, Hardened (The following Blades are available) | 104 | 10071000 | Washer, Lock |
| 11 | 134149 | Blade, Mulching 42" Std (for mulching mowers only) | 105 | 160793 | Latch Assembly |
| -- | 139775 | Blade Mulching 42" Premium (For better wear when mulching) | 106 | 2029J | Nut, Weld |
| -- | 138971 | Blade Mower 42" Hi-Lift (for bagging and discharging) | 113 | 17060512 | Screw 5/16-18 x 3/4 |
| 13 | 137645 | Shaft Assembly, Mandrel, Vented | 116 | 184219 | Bolt, Shoulder |
| 14 | 128774 | Housing, Mandrel, Vented | 117 | 133957 | Wheel, Gauge |
| 15 | 110485X | Bearing, Ball, Mandrel | 118 | 73930600 | Nut Centerlock 3/8-16 |
| 16 | 174493 | Stripper, Mandrel Deck | 119 | 19121414 | Washer 3/8 x 7/8 x 14 Ga. |
| 18 | 72140505 | Bolt, Carriage 5/16-18 x 5/8 | 134 | 156941 | Pin Head Rivet |
| 19 | 132827 | Bolt, Shoulder | 135 | 159765X | Bracket Asm. Whl Ga. R LH |
| 20 | 159770 | Baffle, Vortex | 136 | 155986 | Bar Adjusting Gauge Wheel |
| 21 | 73680500 | Nut | 138 | 159763X | Bracket Asm Whl Ga. R RH |
| 23 | 177563 | Bracket, Deflector Mower 42" | 139 | 159767X | Bracket Asm. Whl Ga. F RH |
| 24 | 105304X | Cap, Sleeve 80 x 112 Blk Mower | 140 | 159768X | Bracket Asm Whl Ga. F LH |
| 25 | 123713X | Spring, Torsion, Deflector 2 52 | 142 | 165890 | Arm Spring Brake Mower |
| 26 | 110452X | Nut, Push Phos & Oil | 143 | 157109 | Bracket Arm Idler 42" |
| 27 | 130968X428 | Shield, Deflector 42" Blk | 144 | 158634 | Keeper Belt 42" Clutch Cable |
| 28 | 19111016 | Washer 11/32 x 5/8 x 16 Ga. | 145 | 165888 | Pulley Idler Flat |
| 29 | 131491 | Rod, Hinge 42" 6 75 W/G | 146 | 171977 | Bolt Carriage Idler |
| 30 | 173984 | Screw Thdrol | 147 | 131335 | Spring Extension |
| 31 | 187690 | Washer, Spacer Mower Vented | 148 | 169022 | Spring Return Idler |
| 32 | 173436 | Pulley, Mandrel | 149 | 165898 | Retainer Spring Yellow |
| 33 | 178342 | Nut, Toplock | 150 | 19091210 | Washer 9/32 x 3/4 x 10 Ga. |
| 34 | 72110612 | Bolt Carr SH 3/8-16 x 1-1/2 Gr.5 | 152 | 169676 | Clutch Cable 42" |
| 36 | 131494 | Pulley, Idler, Flat | 158 | 17720408 | Screw Hex Thd Cut 1/4-20 x 1/2 |
| 40 | 73900600 | Nut Lock 3/8-16 | 159 | 72140614 | Bolt Rdhd Sqn 3/8-16 unc x 1-3/4 |
| 44 | 140088 | Guard, Mandrel, LH | 184 | 19131410 | Washer 13/32 x 7/8 x 10 Ga. |
| 45 | 4497H | Retainer | 185 | 188234 | Head Asm Cable Clutch |
| 46 | 137729 | Screw, Thdrol 1/4-20 x 5/8 T | -- | 130794 | Mandrel Assembly (Includes Housing Shaft and Shaft Hardware Only - Pulley Not Included) |
| 48 | 133944 | Washer, Hardened | -- | 186917 | Replacement Mower, Complete (Std. deck Order separately mulcher cover and gauge wheel components Key Nos. 101-106 and 5, 134, 136, 116-119) |
| 52 | 139888 | Bolt, Shoulder 5/16-18 unc | | | |
| 53 | 184907 | Arm Assembly, Pad, Brake | | | |
| 54 | 178515 | Washer, Hardened | | | |

NOTE: All component dimensions given in U.S.inches
1 inch = 25.4 mm