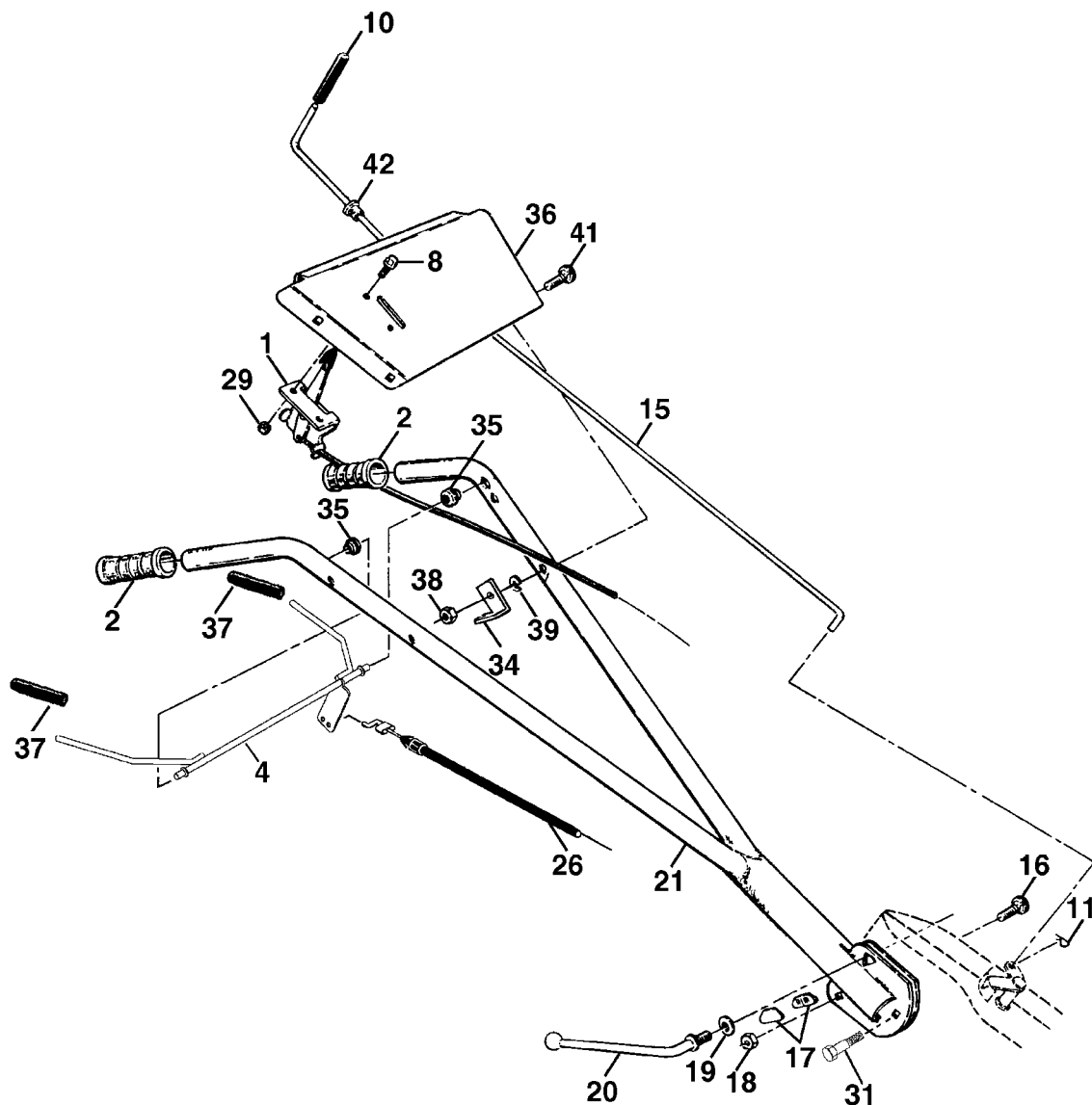


REPAIR PARTS

TILLER - - MODEL NUMBER SOR500A

HANDLE ASSEMBLY



KEY NO.	PART NO.	DESCRIPTION
1	180634	Control, Throttle
2	150744	Grip, Handle
4	159227	Bar, Control
8	71191008	Screw, Pan Hd. #10-24
10	8389J	Grip, Handle
11	4497H	Clip, Hairpin
15	108281X	Rod, Shift
16	72110608	Bolt, Carriage 3/8-16 x 1 Gr. 5
17	109229X	Lock, Handle
18	73680600	Nut Crownlock 3/8-16 UNC
19	19131611	Washer 13/32 x 1 x 11 Ga.
20	109228X	Lever, Lock, Handle
21	150217	Handle

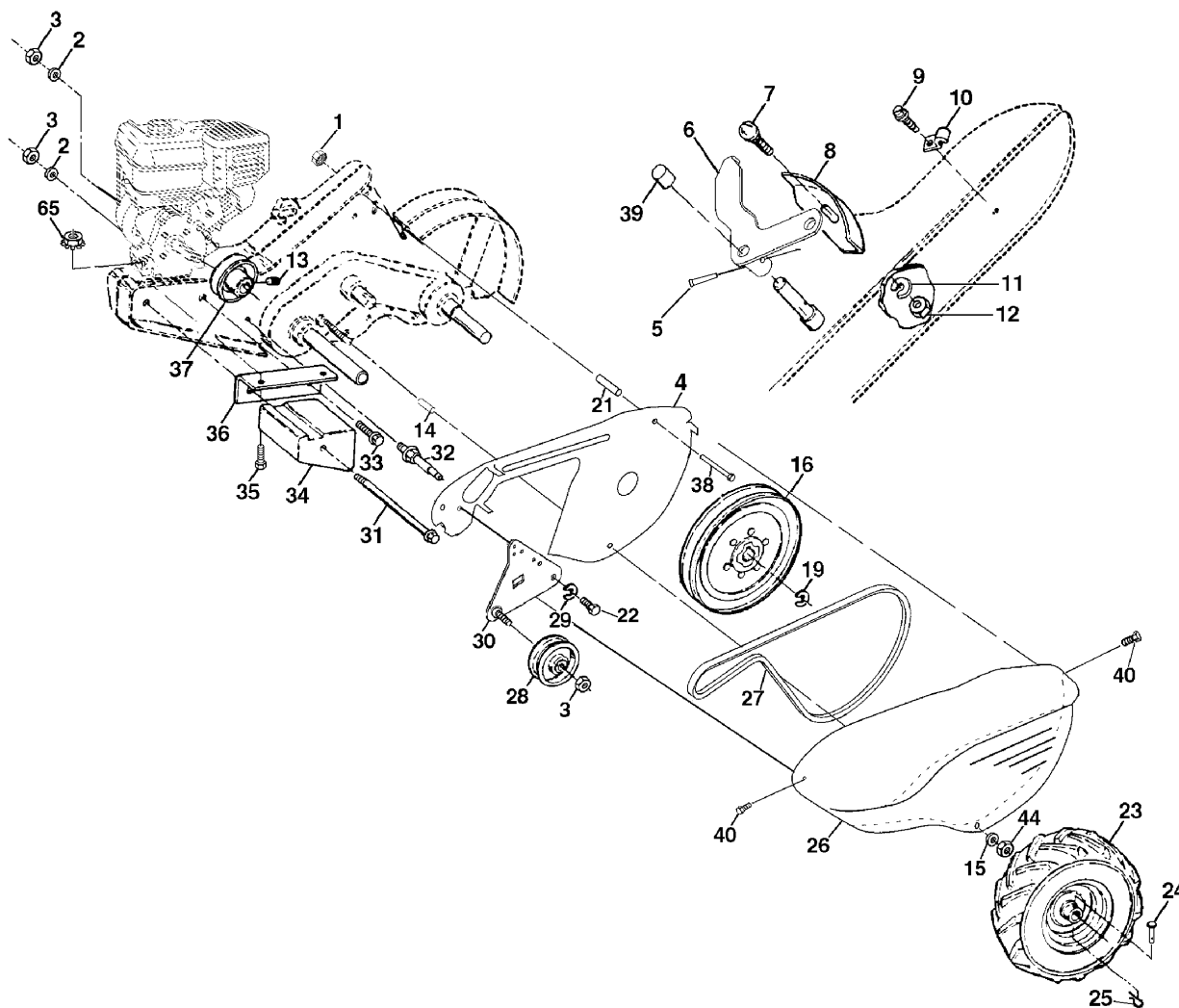
KEY NO.	PART NO.	DESCRIPTION
26	159232	Cable, Clutch
29	73731000	Nut, Keps #10-24 UNC
31	150696	Bolt, Pivot
34	145821	Bracket, Clutch Cable
35	146480	Grommet, Handle
36	180456X417	Bracket, Handle
37	102604X	Grip, Bar Control
39	10040500	Washer, Lock 5/16
38	73800500	Locknut 5/16-18
41	72110514	Bolt, Carriage 5/16-18 x 1-3/4
42	121248X	Bushing, Snap

NOTE: All component dimensions given in U.S. inches.
1 inch = 25.4 mm

REPAIR PARTS

TILLER - - MODEL NUMBER SOR500A

MAINFRAME, LEFT SIDE



KEY NO.	PART NO.	DESCRIPTION
1	73510500	Nut, Keps 5/16-18
2	10040600	Washer, Lock 3/8
3	73220600	Nut, Hex 3/8-16
4	170127	Shield, Inner, Belt Guard
5	164329	Pin Spirol Flared
6	110111X	Lever, Shift
7	72110404	Bolt, Carriage 1/4-20 x 1/2 Gr. 5
8	8700J	Plate, Shift Indicator
9	86777	Screw, Hex, Washer Head, Slotted #10-24 x 1/2
10	9484R	Clip
11	10040400	Washer, Lock 1/4
12	73220400	Nut, Hex 1/4-20
13	23230506	Screw, Set, Hex 5/16-18 x 3/8
14	156117	Spacer, Split 0.327 x 0.42 x 1.220
15	19111116	Washer 11/32 x 11/16 x 16 Ga.
16	145102	Sheave, Transmission
19	12000028	Ring, Retainer
21	110652X	Spacer, Split 0.327 x 0.42 x 2.09
22	74770508	Bolt Hex 5/16-24 x 1/2
23	102190X	Tire
	183122X624	Rim
	795R	Tire Valve

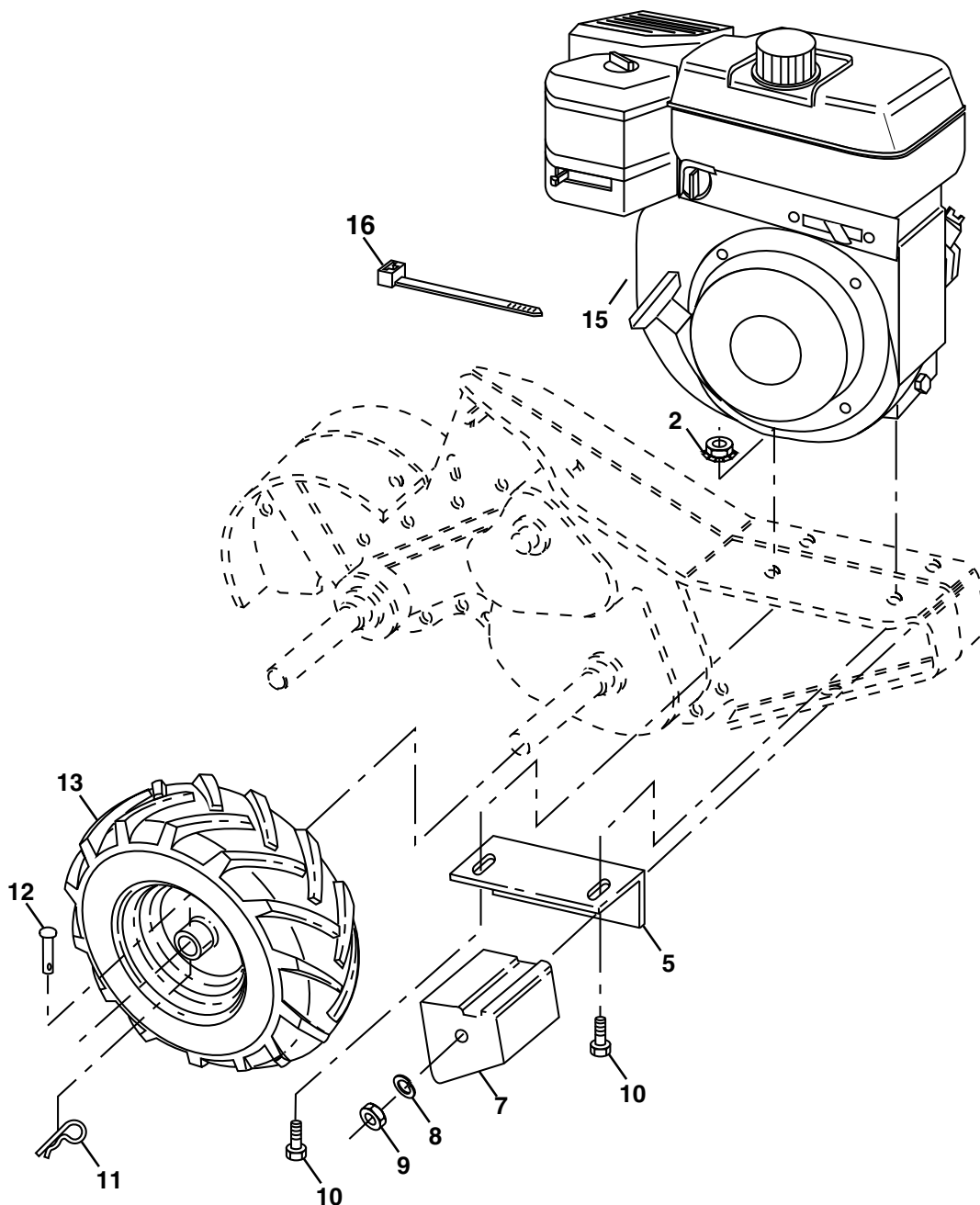
KEY NO.	PART NO.	DESCRIPTION
24	126875X	Rivet, Drilled
25	4497H	Clip, Hairpin
26	165501X417	Guard, Belt
27	132801	Belt, V
28	104679X	Pulley, Idler
29	12000032	Ring, Klip
30	159229	Bracket, Idler
31	102384X	Bolt, Hex 5/16-16 x 12
32	102141X	Shaft, Idler Arm
33	74760616	Bolt, Hex 3/8-16 x 1
34	102383X	Counterweight, L. H.
35	74760524	Bolt, Hex 5/16-18 x 1-1/2
36	102331X	Bracket, Reinforcement, L. H.
37	130812	Sheave, Engine
38	74760544	Bolt, Hex 5/16-18 x 2-3/4
39	140062	Cap, Plunger
40	170488	Screw, Hex Wsh Slt #10-24x .50
43	69180	Nut, Lock #10-24
44	73800500	Nut, Lock 5/16-18
65	73970500	Nut, Lock Hex Flange

NOTE: All component dimensions given in U.S. inches.
1 inch = 25.4 mm

REPAIR PARTS

TILLER - - MODEL NUMBER SOR500A

MAINFRAME, RIGHT SIDE



KEY NO.	PART NO.	DESCRIPTION
2	73970500	Nut, Hex Flange
5	102332X	Bracket, Reinforcement
7	102173X	Counter Weight, R.H.
8	10040600	Washer, Lock 3/8
9	73220600	Nut, Hex 3/8-16
10	74760524	Bolt, Hex 5/16-18 x 1-1/2
11	4497H	Clip, Hairpin
12	126875X	Rivet, Drilled

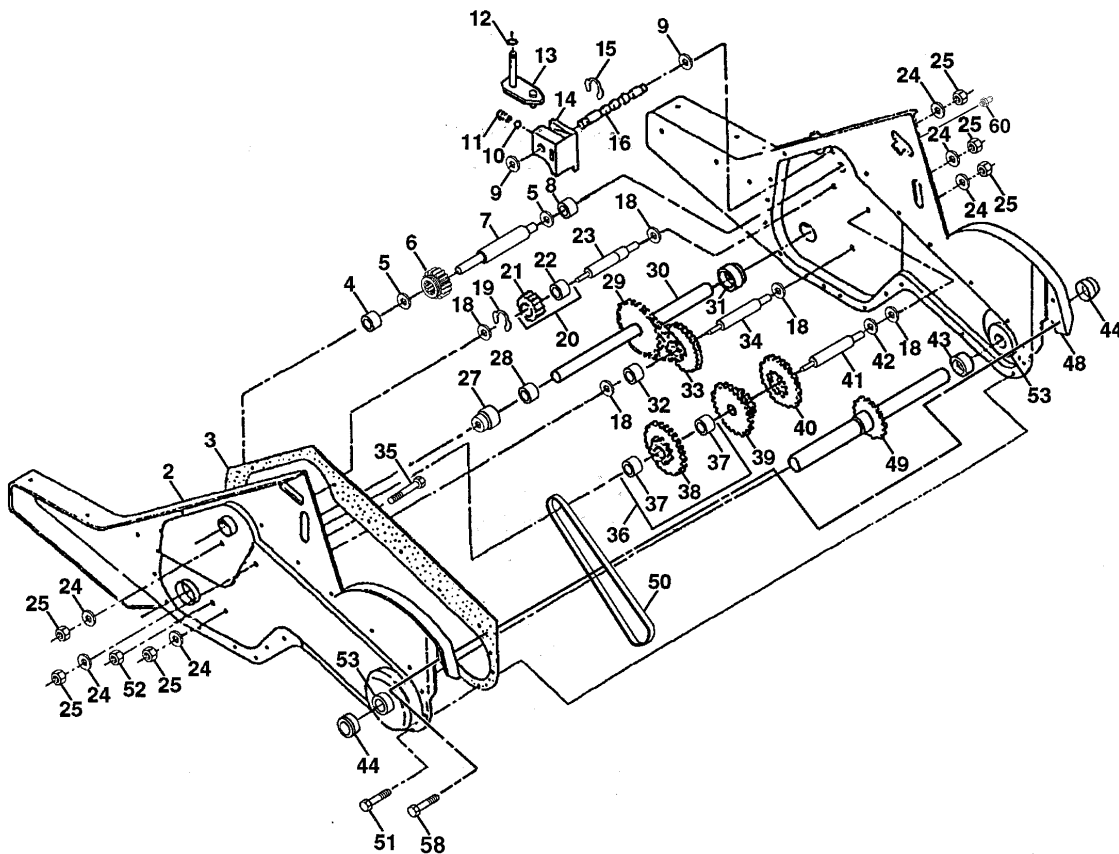
KEY NO.	PART NO.	DESCRIPTION
13	102190X	Tire
	183122X624	Rim
	795R	Tire Valve
15	-----	Engine, Briggs & Stratton Model No. 120402 (Order parts from engine Manufacturer)
16	7192J	Tie Cable

NOTE: All component dimensions given in U.S. inches.
1 inch = 25.4 mm

REPAIR PARTS

TILLER - - MODEL NUMBER SOR500A

TRANSMISSION



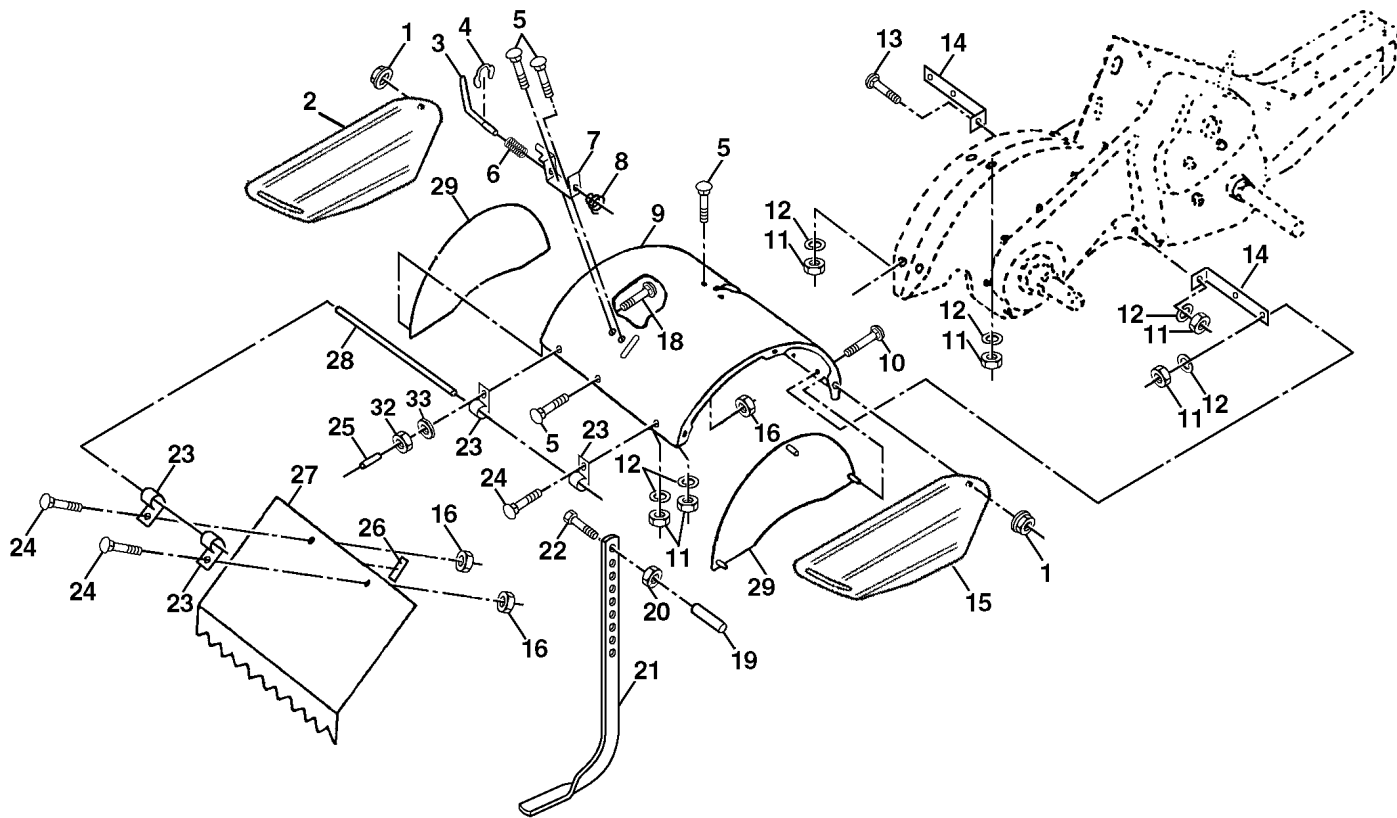
KEY NO.	PART NO.	DESCRIPTION	KEY NO.	PART NO.	DESCRIPTION
1	180677	Transmission Assembly (Includes Key Nos. 2-52)	29	102134X	Chain #35-50 Pitch
2	180627	Gearcase, L.H. w/Bearing (Includes Key No. 4)	30	150737	Ground Shaft Assembly
3	161963	Gasket, Gearcase	31	143008	Bearing, Shaft, Ground Drive
4	5020J	Bearing, Needle	32	106388X	Spacer 0.70 x 1.00 x 1.150
5	1370H	Washer, Thrust 5/8 x 1.10 x 1/32	33	102121X	Sprocket and Gear Assembly
6	137335	Pinion, Input	34	102112X	Shaft, Reduction (2nd)
7	145101	Shaft, Input	35	102101X	Screw, Whiz, Lock 5/16-18 x 3-1/2
8	4895H	Bearing, Needle	36	154355	Sprocket Assembly w/Bearing (Includes Key Nos. 37 and 38)
9	154467	Washer, Seal	37	4422J	Bearing, Needle
10	7392M	Ball, Steel	38	154356	Sprocket, Tine
11	100371K	Spring, Shift, Fork	39	105345X	Gear, Cluster, Red 1st & 2nd
12	106160X	O-Ring	40	105346X	Gear, Reverse
13	142145	Arm, Shift	41	8358J	Shaft, Reduction (1st)
14	8353J	Fork, Shift	42	4220R	Washer, Thrust
15	12000039	Ring, Klip	43	106146X	Spacer 1.01 x 1.75 x 0.760
16	154466	Shaft, Shift	44	155236	Seal Asm, Oil
18	4358J	Washer	48	180631	Gearcase, R.H. w/Bearing (Includes Key No. 8)
19	12000040	Ring, Klip	49	132688	Shaft, Tine
20	102114X	Gear, Assembly, Reverse Idler (Includes Key Nos. 21 and 22)	50	106147X	Chain, Roller #50-50 Pitch
21	102115X	Gear, Reverse Idler	51	17720408	Screw 1/4-20 x 1/2
22	6803J	Bearing, Needle	52	73220500	Nut, Hex 5/16-18
23	102111X	Shaft, Reverse Idler	53	165140	Kit, Bearing, Tine Shaft
24	10040700	Washer, Lock 7/16	58	179520	Bolt Shoulder 1/4-20 x 7/8
25	73610700	Nut, Hex 7/16-20	60	6855M	Fitting Grease
27	143009	Bearing, Shaft, Ground Drive	--	6066J	Grease, Plastilube #1
28	106390X	Spacer 0.765 x 1.125 x 1.23			

NOTE: All component dimensions given in U.S. inches.
1 inch = 25.4 mm

REPAIR PARTS

TILLER - - MODEL NUMBER SOR500A

TINE SHIELD



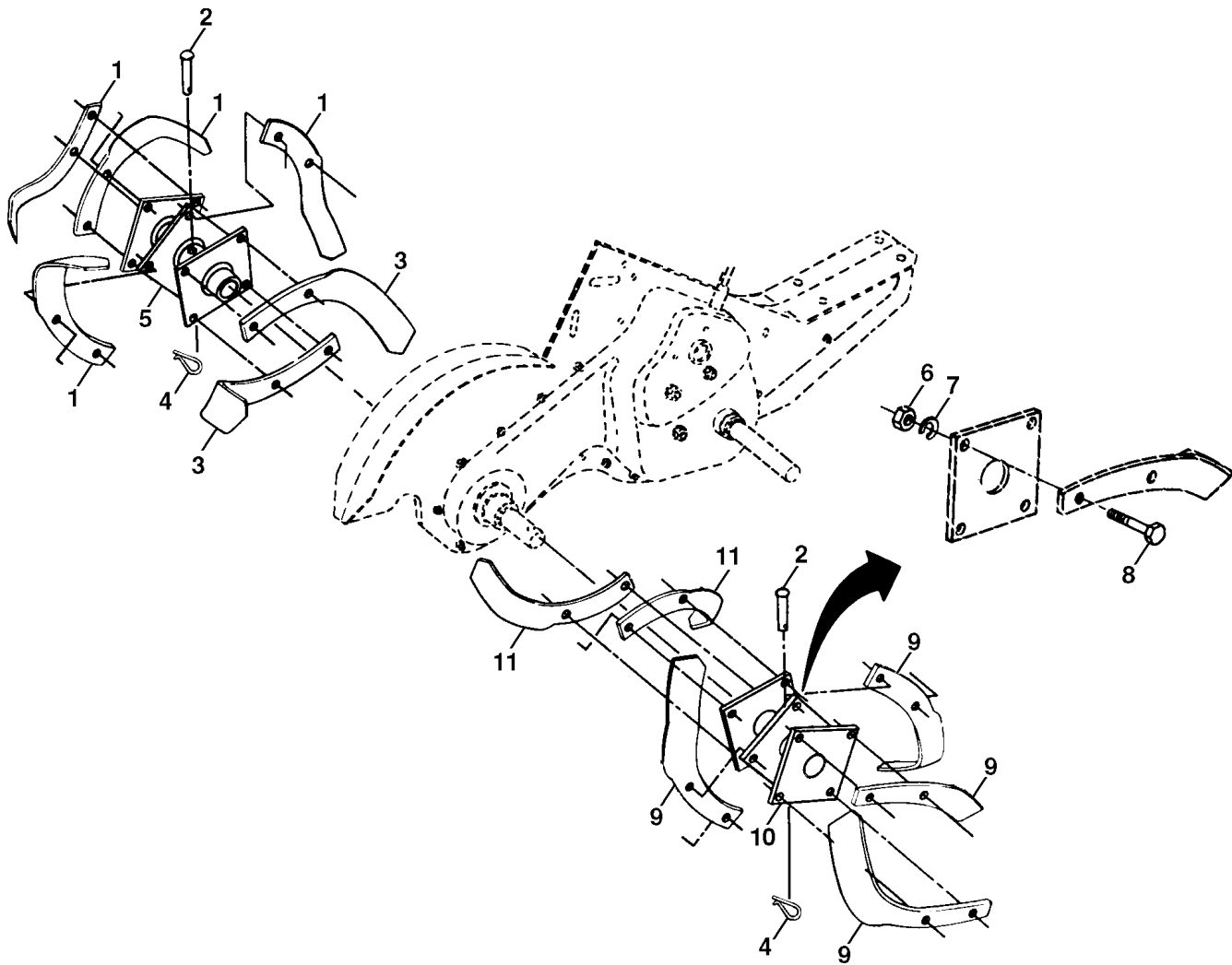
KEY NO.	PART NO.	DESCRIPTION	KEY NO.	PART NO.	DESCRIPTION
1	73900500	Nut, Flange 5/16-18	18	72040410	Bolt, Carriage 1/4-20 x 1-1/4 Gr. 5
2	161415X417	Shield, Side, Outer L. H.	19	102701X	Grip
3	8393J	Pin, Stake, Depth	20	73220600	Nut, Hex 3/8-16
4	12000035	Ring, Klip	21	102156X	Stake, Depth
5	180847	Bolt, Carriage 5/16-18 x 3/4	22	74930632	Bolt, Hex 3/8-16 x 2
6	8394J	Spring	23	4440J	Hinge
7	8392J	Bracket, Latch	24	72140404	Bolt, Carriage 1/4-20 x 1/2 Gr. 5
8	109230X	Spring, Depth Stake	25	6712J	Cap, Vinyl
9	102326X417	Shield, Tine	26	109227X	Pad, Idler
10	72140508	Bolt 5/16-18 x 1	27	102695X417	Shield, Leveling
11	73220500	Nut, Hex 5/16-18	28	120588X	Pin, Hinge
12	10040500	Washer, Lock 5/16	29	104085X417	Shield, Side
13	72110510	Bolt, Carriage 5/16-18 x 1-1/4	32	73220400	Nut Fin Hex 1/4-20 UNC
14	124343X	Bracket, Shield Tine	33	10040400	Washer Lock Hvy Helical 1/4
15	161414X417	Shield, Side, Outer R.H.			
16	73900400	Nut, Hex Flange 1/4-20 UNC			

NOTE: All component dimensions given in U.S. inches.
1 inch = 25.4 mm

REPAIR PARTS

TILLER - - MODEL NUMBER SOR500A

TINE ASSEMBLY



KEY NO.	PART NO.	DESCRIPTION
1	4459J	Tine, Outer, L.H.
2	132673	Clevis Pin
3	6554J	Tine, Inner, L.H.
4	3146R	Clip, Hairpin
5	132727	Assembly, Hub and Plate, L.H.
6	73610600	Nut, Hex 3/8-24
7	10040600	Washer, Lock 3/8

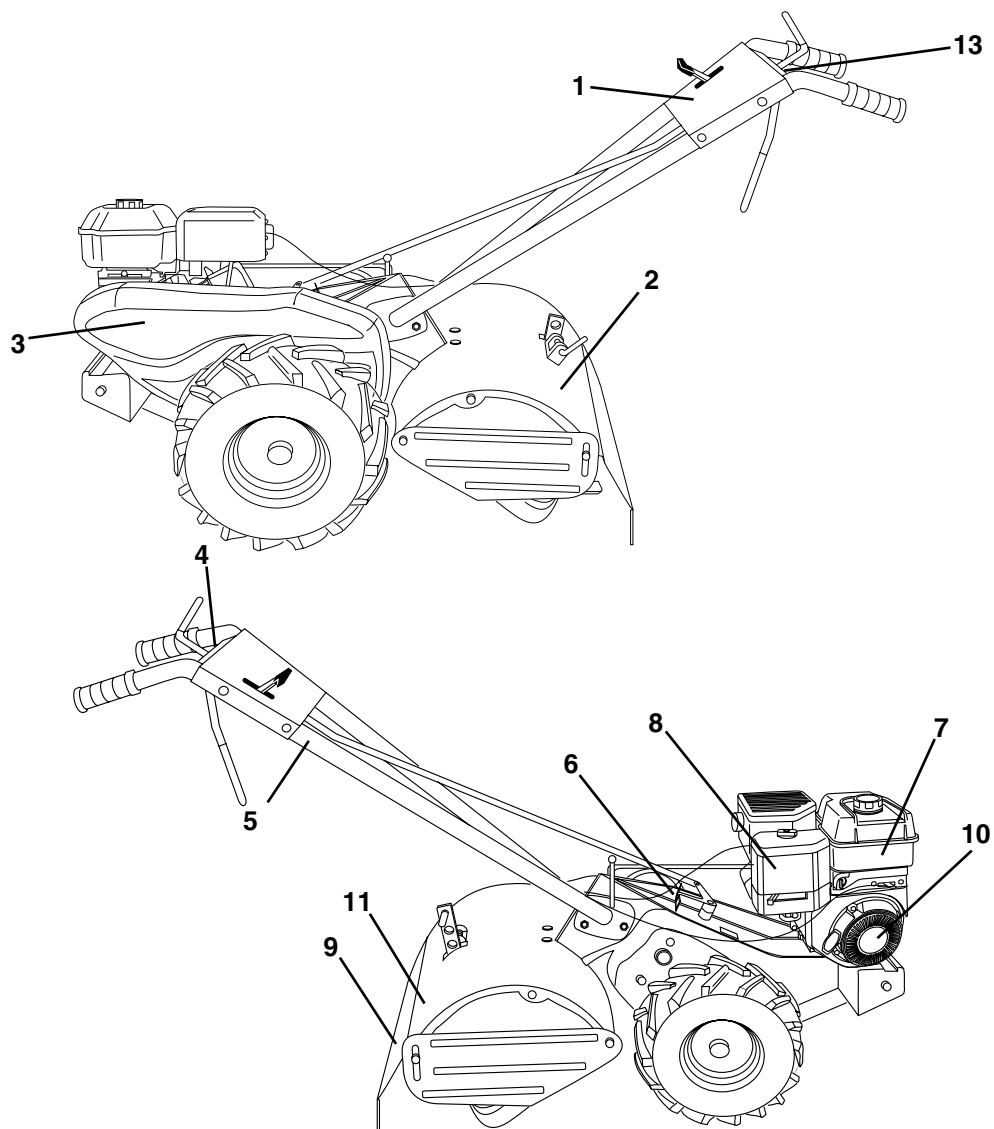
KEY NO.	PART NO.	DESCRIPTION
8	74610616	Bolt, Hex 3/8-24 x 1
9	4460J	Tine, Outer, R.H.
10	132728	Assembly, Hub and Plate, R.H.
11	6555J	Tine, Inner, R.H.

NOTE: All component dimensions given in U.S. inches.
1 inch = 25.4 mm

REPAIR PARTS

TILLER - - MODEL NUMBER SOR500A

DECALS



KEY NO.	PART NO.	DESCRIPTION
1	186251	Decal, Control Panel (Statesman)
--	186256	Decal, Control Panel (Agway)
2	162215	Decal, Warning
3	186249	Decal, Belt Guard (Statesman)
--	186254	Decal, Belt Guard (Agway)
4	143678	Decal, Instruction, Tilling
5	141907	Decal, Hand Placement
6	102180X	Decal, Shift Indicator
7	171077	Decal, OHV N-I/C 190CELBL
8	175643	Decal, Briggs & Stratton
9	141906	Decal, Warning
10	171078	Decal, Rewind INTEK
11	186250	Decal, CRT
13	156199	Decal, Control Panel Reverse
--	185173	Manual, Owner's (English)
--	185174	Manual, Owner's (Spanish)