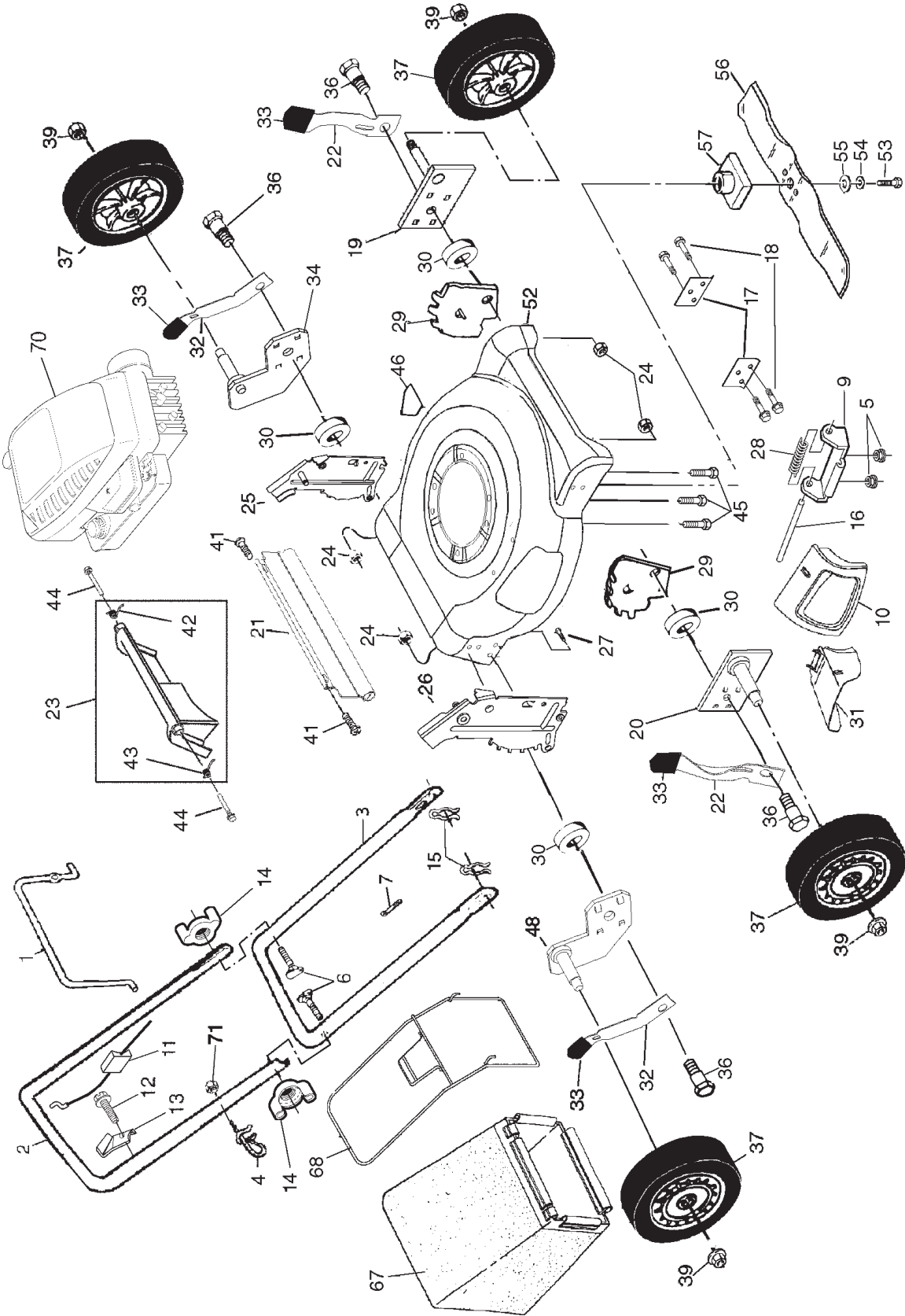


ROTARY LAWN MOWER -- MODEL NUMBER SO475N21CA



ROTARY LAWN MOWER - - MODEL NUMBER SO475N21CA

KEY NO.	PART NO.	DESCRIPTION	KEY NO.	PART NO.	DESCRIPTION
1	86902	Control Bar	33	87877	Selector Knob
2	169709X479	Upper Handle	34	186576X004	Axle Arm Assembly, LR
3	169708X479	Lower Handle	36	160828	Shoulder Bolt 5/16-18
4	179585	Rope Guide	37	700263	Wheel Assembly
5	73800400	Locknut, Hex 1/4-20	39	83923	Flanged Locknut
6	131959	Handle Bolt	41	88652	Hinge Screw
7	66426	Wire Tie	42	165766	Spring, LH
9	154132	Hinge Bracket	43	165767	Spring, RH
10	165754	Mulcher Door	44	184193	Door Bolt
11	176556	Engine Zone Control Cable	45	150406	Hex Head Thread Rolling Screw 3/8-16 x 1
12	750634	Hex Washer Head Screw	46	141846	Danger Decal
13	86899X004	Up-Stop Bracket	48	186575X004	Axle Arm Assembly, RR
14	128638	Wing Nut, Steel	52	190325	Kit, Lawn Mower Housing Assembly (Includes Key Numbers 17, 18 and 46)
15	51793	Hairpin Cotter	53	851084	Hex Head Screw 3/8-24 x 1-3/8 Grade 8
16	147286	Hinge Rod	54	850263	Helical Lockwasher
17	165946X479	Support Bracket	55	851074	Hardened Washer
18	17600406	Screw	56	189028	21" Blade
19	186577X004	Axle Arm Assembly, LF	57	851514	Blade Adapter
20	186578X004	Axle Arm Assembly, RF	67	190011	Grass Bag
21	188987	Rear Skirt	68	188813	Frame, Grass Bag
22	168360X004	Selector Spring, Front	70	---	Engine, Briggs & Stratton, Model Number 10M902 (For engine service and replacement parts, call Briggs & Stratton at 1-800-233-3723)
23	186612	Kit, Rear Door (Includes Springs)			
24	73930500	Locknut, Hex 5/16-18	71	132004	Nut, Hex
25	166111X479	Handle Bracket Assembly, LH	--	161058	Warning Decal (not shown)
26	166112X479	Handle Bracket Assembly, RH	--	172782	Operator's Manual, English
27	851856	Screw 1/4-20 x 3/8	--	172784	Operator's Manual, Spanish
28	152124	Hinge Spring	--	190324	Repair Parts Manual
29	160835X007	Wheel Adjusting Bracket, Front			
30	183901	Washer			
31	165760	Discharge Deflector			
32	169421X004	Selector Spring, Rear			

NOTE: All component dimensions given in U.S. inches.
1 inch = 25.4 mm