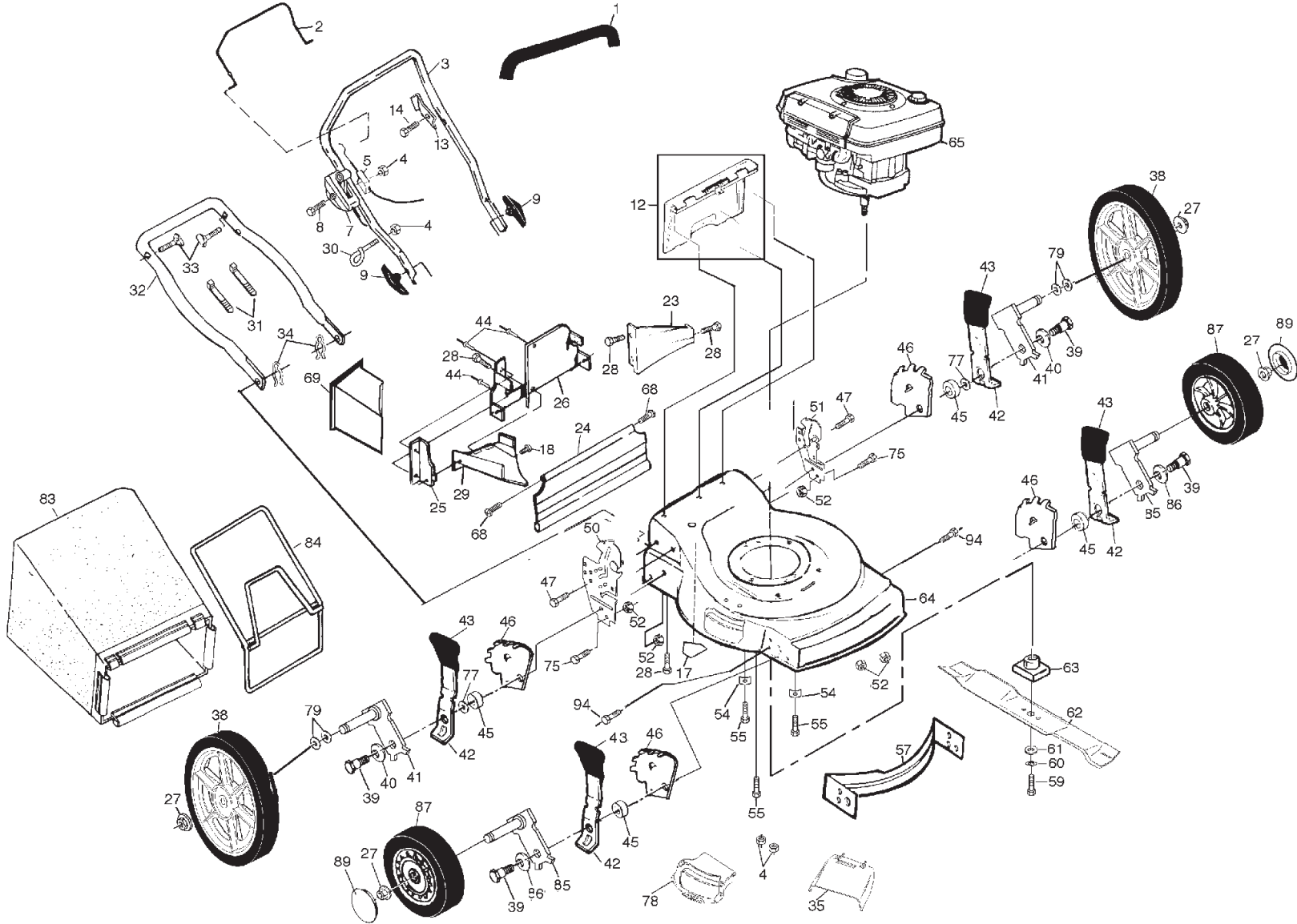


POWER PROPELLED ROTARY LAWN MOWER - - MODEL NUMBER S65N22CHC



REPAIR PARTS

For Parts Call K&T 606-678-9623 or 606-561-4983

POWER PROPELLED ROTARY LAWN MOWER - - MODEL NUMBER S65N22CHC

KEY NO.	PART NO.	DESCRIPTION
1	164265	Handle Grip
2	131036	Control Bar
3	167163	Upper Handle
4	63601	Locknut
5	851671	Engine Zone Control Cable
7	163054	Throttle Control
8	144929	Hex Washer Head Screw 1/4-20 x 2-1/8
9	136376	Handle Knob
12	151023	Rear Door Kit
13	850733X004	Upstop Bracket
14	750097	Screw
17	107339X	Danger Decal
18	150050	Screw #10
23	133040X479	Baffle, Rear
24	140540	Rear Skirt
25	700365X479	Side Baffle
26	156380X479	Back Plate
27	83923	Flanged Locknut
28	54583	Screw Hex Head 1/4-20 x 1/2
29	176655X479	Discharge Baffle
30	132001	Rope Guide
31	66426	Wire Tie
32	151721X479	Lower Handle
33	131959	Handle Bolt
34	51793	Hairpin Cotter
35	145285	Clip-on Discharge Deflector
38	701401	Wheel & Tire Assembly
39	142748	Shoulder Bolt
40	61651	Spring Washer
41	750913X004	Axle Arm
42	700331X004	Selector Spring
43	87877	Selector Knob
44	128415	Pop Rivet
45	146630	Spacer
46	700325X007	Wheel Adjusting Bracket
47	150078	Self-tapping Screw 5/16-18 x 3/4

KEY NO.	PART NO.	DESCRIPTION
50	161812X479	Handle Bracket (Right)
51	161814X479	Handle Bracket (Left)
52	751592	Locknut 3/8-16
54	851201X004	Engine Washer
55	150406	Hex Head Thread Rolling Screw 3/8-16 x 1-1/8
57	170557	Front Baffle Kit
59	851084	Hex Head Machine Screw 3/8-24 x 1-3/8 Gr. 8
60	850263	Helical Lock Washer
61	851074	Hardened Washer
62	141114	Blade 22"
63	851514	Blade Adapter
64	177550	Lawn Mower Housing Kit (Includes Key No. 17)
65	- - -	Tecumseh Model No. OVRM120 Order parts from engine manufacturer
68	88652	Hinge Screw
69	166649	Mulcher Plug
75	74760612	Bolt
77	88348	Flat Washer
78	147738	Combi-cut Door
79	57143	Wave Washer
83	158830	Grass Bag
84	149555	Catcher Frame
85	145935X004	Axle Arm
86	62335	Spring Washer
87	146247	Wheel
89	77400	Hubcaps
94	17600406	Screw
--	162300	Warning Decal (Not Shown)
--	172782	Operator's Manual (English)
--	178999	Replacement Parts Manual

NOTE: All component dimensions given in U.S. inches.
1 inch = 25.4 mm