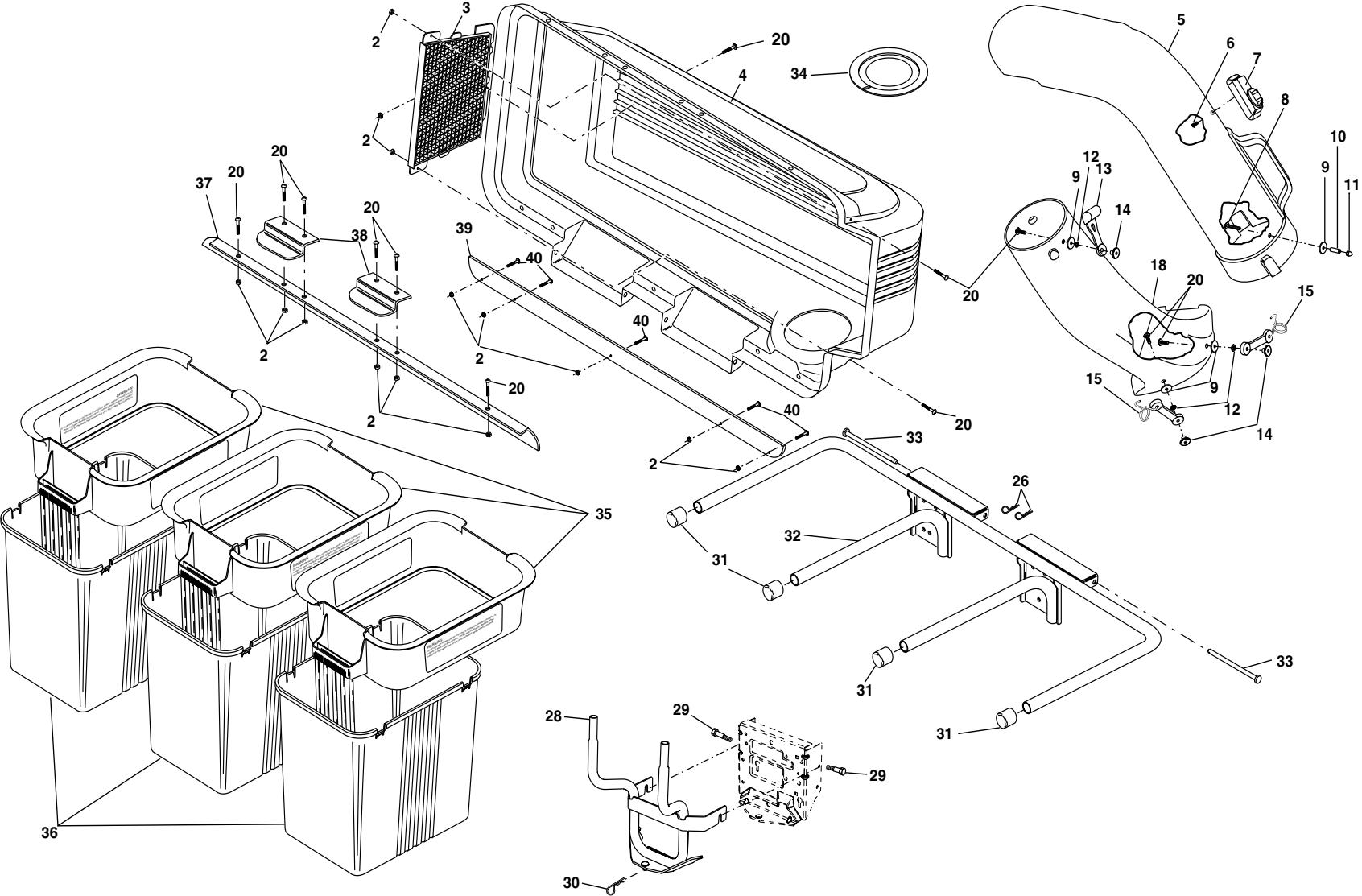


REPAIR PARTS/PIÈCES DE RECHANGE

GRASS CATCHER - MODEL NUMBER QC342A / RAMASSE-HERBE - NO. DE MODÈLE QC342A

PRODUCT NO. 954 63 19-23 / NUMÉRO DE PRODUIT 954 63 19-23



REPAIR PARTS/PIÈCES DE RECHANGE

GRASS CATCHER - MODEL NUMBER QC342A / RAMASSE-HERBE - NO. DE MODÈLE QC342A

PRODUCT NO. 954 63 19-23 / NUMÉRO DE PRODUIT 954 63 19-23

KEY NO.	PART NO.	DESCRIPTION	KEY NO.	PART NO.	DESCRIPTION	KEY NO.	PART NO.	DESCRIPTION
2	532069180	Nut, Crownlock #10-24	20	871161010	Screw #10-24 x 5/8	20	871161010	Vis #10-24 x 5/8
3	532127533	Screen, Cover	26	532124670	Spring, Retainer	26	532124670	Ressort de retenue
4	532139850	Cover Assembly (Includes 3, 37, 38, 39)	28	532179534	Support Assembly	28	532179534	Ensemble du support
5	532126840	Chute, Upper	29	532176997	Shoulder Bolt, Self Tapping	29	532176997	Boulon autotaraudeuse
6	818021008	Screw, Special #10-14x1/2	30	532165898	Spring, Retainer	30	532165898	Ressort de retenue
7	532140572	Dump Bag Indicator	31	532174083	Plug, Tubing End	31	532174083	Capuchon d'extrémité de tuyau
8	532087175	Screw, #10-24 x 1-1/8	32	532176990	Bagger, Frame	32	532176990	Cadre de ramasse-herbe
9	819061216	Washer 3/16x3/4x16 Ga.	33	532128600	Pin, Hinge	33	532128600	Goupille de charnière
10	532007206	Spacer, Split	34	532127534	Gasket, Cover	34	532127534	Garniture de couvercle
11	532060867	Nut, Acorn #10-24	35	532183286	Container, Top	35	532183286	Bac à gazon supérieur
12	810071000	Washer, lock	36	532129586	Container, Bottom	36	532129586	Bac à gazon inférieur
13	532109808	Latch, Chute	37	532134637	Seal, Cover	37	532134637	Sceau de couvercle
14	532125004	Nut, Weld	38	532130895	Latch Handle, Cover	38	532130895	Poignée de loquet de couvercle
15	532160793	Latch Assembly, Hook	39	532186601	Strip, Reinforcement	39	532186601	Bande
18	532162803	Chute, Lower	40	871141008	Screw #10-24 x 1/2	40	871141008	Vis #10-24 x 1/2
			--	532178476	Owner's Manual	--	532178476	Manuel de propriétaire