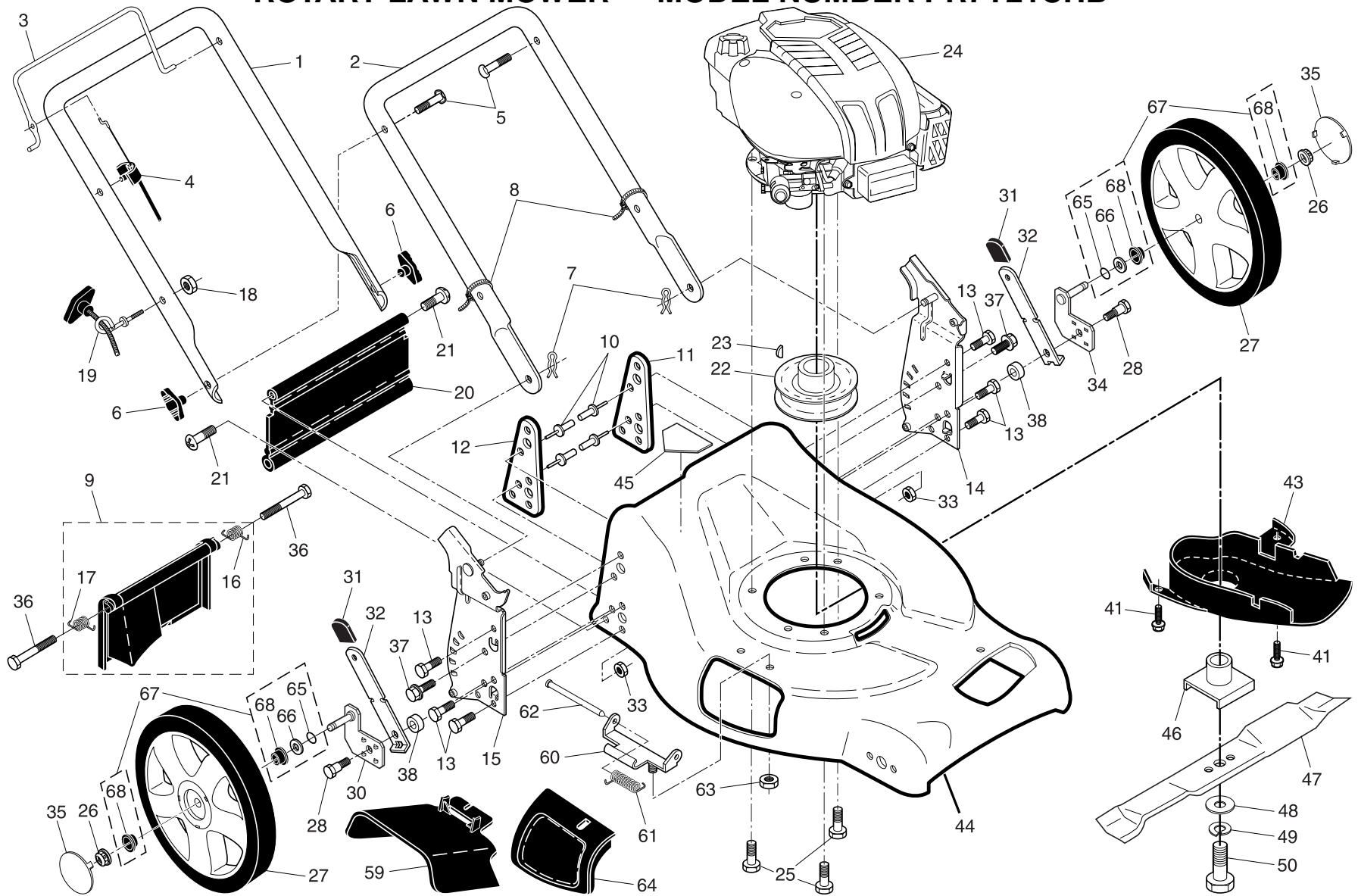


# ROTARY LAWN MOWER - - MODEL NUMBER PR7Y21CHB



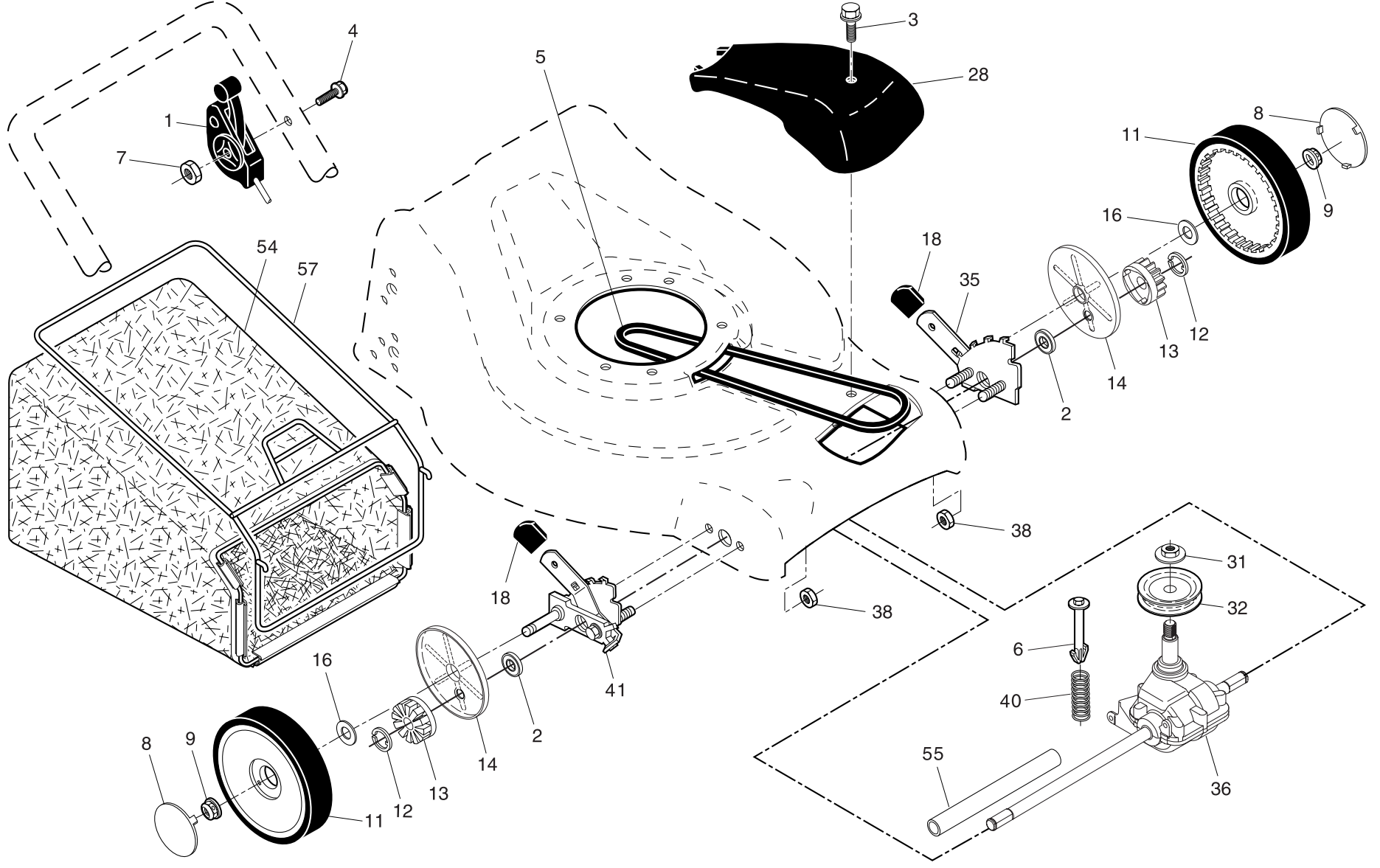
For Parts Call K&T 606-678-9623 or 606-561-4983

## ROTARY LAWN MOWER - - MODEL NUMBER PR7Y21CHB

KEY NO.	PART NO.	DESCRIPTION	KEY NO.	PART NO.	DESCRIPTION
1	183496X479	Upper Handle	36	184193	Bolt, Rear Door
2	151721X479	Lower Handle	37	150078	Thread Cutting Screw w/Sems 5/16-18 x 3/4
3	146771	Control Bar	38	183901	Spacer
4	133107	Engine Zone Control Cable	40	188839X004	Mounting Bracket, Debris Shield
5	191574	Handle Bolt	41	192325	Screw, Debris Shield
6	189713X428	Handle Knob	43	188784	Debris Shield
7	51793	Hairpin Cotter	44	176710	Kit, Housing (Includes Key Numbers 10, 11, 12 and 45)
8	66426	Wire Tie	45	107339X	Danger Decal
9	180479	Kit, Rear Door (Includes Key Numbers 16 and 17)	46	189179	Blade Adapter / Pulley
10	128415	Pop Rivet	47	189028	Blade, 21"
11	175069X479	Support Bracket, LH	48	851074	Hardened Washer
12	175070X479	Support Bracket, RH	49	850263	Helical Washer 3/8
13	17060410	Screw 1/4-20 x 5/8	50	851084	Hex Head Machine Screw 3/8-24 x 1-3/8 Grade 8
14	175576X479	Handle Bracket Assembly, LH	51	111190X	Clamp, Cable
15	175577X479	Handle Bracket Assembly, RH	52	83816	Screw, Cable Clamp
16	180071	Spring, Rear Door, LH	53	183365	Screw, Hex Head 1/4-20 x 2-11/64
17	180072	Spring, Rear Door, RH	54	174221	Throttle Control
18	132004	Keps Locknut 1/4-20	59	175071	Discharge Deflector
19	179585	Rope Guide	60	175735	Hinge Bracket Assembly
20	189005	Rear Skirt	61	175285	Spring
21	88652	Hinge Screw 1/4-20 x 1-1/4	62	175650	Rod, Hinge
24	---	Engine, Briggs & Stratton, Model Number 12H602 (For engine service and replacement parts, call Briggs & Stratton at 1-800-233-3723)	63	73800400	Locknut, Hex 1/4-20
25	150406	Screw, Hex Head, Threaded, Rolled 3/8-16 x 1-1/8	64	175066	Mulcher Door
26	83923	Nut, Hex, Flangelock 3/8-16	65	<b>188152</b>	O-Ring
27	181383	Wheel & Tire Assembly, Rear, 14"	66	<b>88348</b>	Washer, Flat 3/8
28	160828	Bolt, Shoulder 5/16-18	67	<b>193498</b>	Kit, Bushing, High Wheel
30	180411X004	Axle Arm Assembly, Rear, RH	68	<b>193028X428</b>	Bushing, Nylon, Black
31	175478	Selector Knob	--	162300	Warning Decal (not shown)
32	175053X004	Selector Spring	--	172787	Operator's Manual, English
33	73800500	Nut, Hex, Nylock 5/16-18	--	172788	Operator's Manual, French
34	180412X004	Axle Arm Assembly, Rear, LH	--	192369	Repair Parts Manual, English / French

**NOTE:** All component dimensions given in U.S. inches.  
1 inch = 25.4 mm

# ROTARY LAWN MOWER - - MODEL NUMBER PR7Y21CHB



4

www.mymowerparts.com

For Parts Call K&T 606-678-9623 or 606-561-4983

## ROTARY LAWN MOWER - - MODEL NUMBER PR7Y21CHB

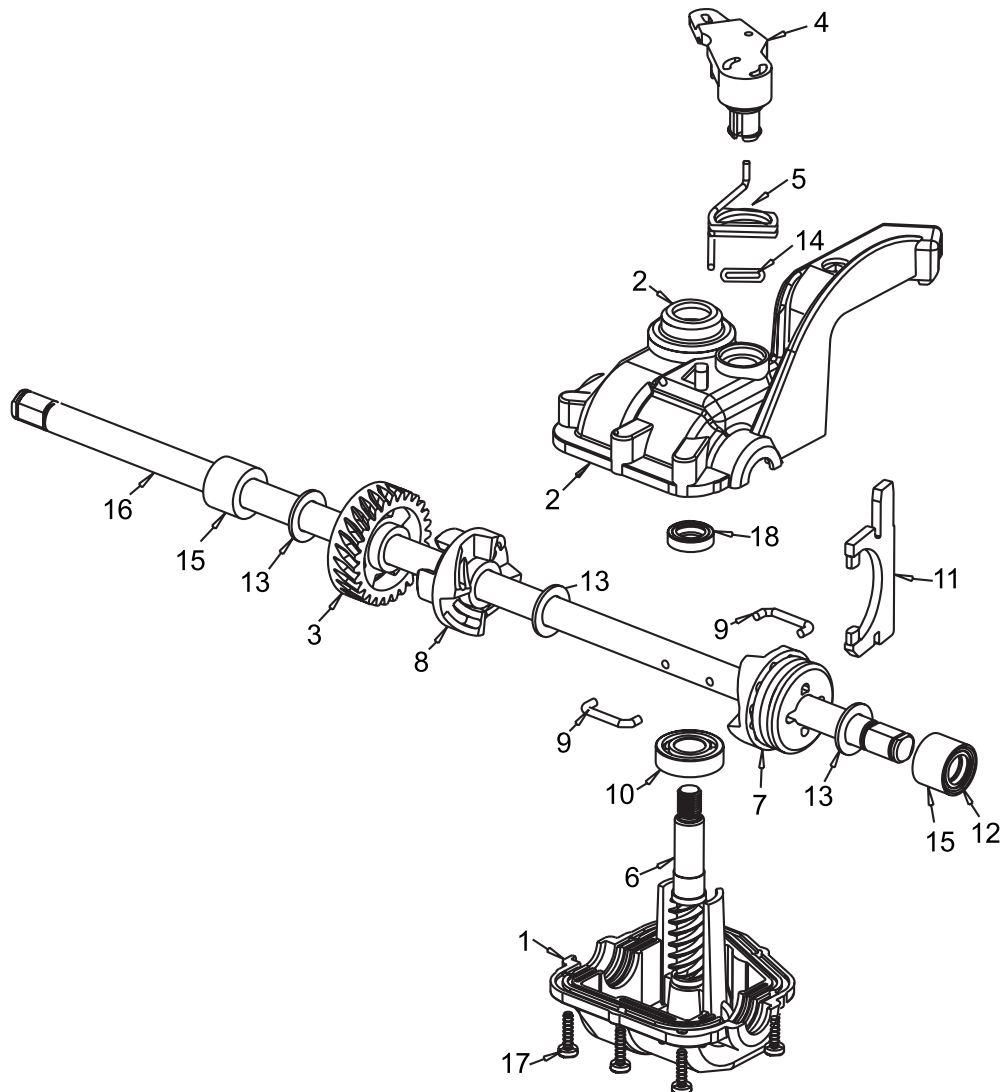
KEY NO.	PART NO.	DESCRIPTION
1	184587	Control Cable Assembly
2	167387	Bearing, Wheel Adjuster
3	175262	Pan Head Tapping Screw #10-24 x 2-3/4
4	158755	Hex Washer Head Screw 1/4-20 x 2.12
5	175436	V-Belt
6	150495	Spring Retainer
7	191730	Nut, Hex, Flanged 1/4-20
8	77400	Hubcap
9	145212	Locknut
11	180766	Wheel & Tire Assembly
12	12000058	E-Ring
13	137054	Pinion
14	189403	Dust Cover
16	67725	Washer 1/2
18	170143	Selector Knob

KEY NO.	PART NO.	DESCRIPTION
28	180329	Drive Cover
31	132010	Nut, Hex, Flanged
32	189407	Drive Pulley
35	172291	Kit, Wheel Adjuster, LH (Includes Knob and Bearing)
36	180184	Gear Case Assembly (See Breakdown)
38	73800400	Locknut 1/4-20
40	137090	Spring
41	172290	Kit, Wheel Adjuster, RH (Includes Knob and Bearing)
54	188985	Grassbag Assembly
55	175739	Driveshaft Cover
57	188815	Frame, Grassbag

**NOTE:** All component dimensions given in U.S. inches.  
1 inch = 25.4 mm

**ROTARY LAWN MOWER - - MODEL NUMBER PR7Y21CHB  
GEARCASE ASSEMBLY - - PART NUMBER 180184**

**TONDEUSE À GAZON ROTATIVE - - NUMÉRO DE MODÈLE PR7Y21CHB  
ENSEMBLE DE LA BOÎTE DE VITESSE - NUMÉRO DE PIÈCE 180184**



**KEY PART  
NO. NO.**

NO.	NO.	DESCRIPTION
1	183497	Case, Lower
2	183498	Case, Upper
3	183499	Gear, 27 Teeth
4	183500	Lever, Clutch
5	183501	Spring, Return
6	183502	Shaft, Input
7	183503	Dog, Movable
8	183504	Dog, Fixed
9	183505	Wire, Formed
10	183506	Bearing, Ball
11	183507	Fork, Shift
12	183508	Seal, Output Shaft
13	183509	Washer
14	183510	Seal, Case
15	183511	Bushing
16	183512	Shaft, Output
17	183513	Screw
18	183514	Seal, Input Shaft
--	183404	Kit, Gearcase Replacement (Includes Instructions)

**NOTE:** Use Dow Corning #709  
to reseal Gear Case Halves.

**DESCRIPTION**

Boîte, Inférieur
Boîte, Supérieur
Engrenage, 27 Dents
Levier d'embrayage
Ressort de Rappel
Arbre d'entrée
Griffe, Amovible
Griffe, Fixe
Fil à Pince
Palier
Fourchette de Changement de Vitesse
Sceau, Arbre de Sortie
Rondelle
Sceau, Boîte
Douille
Arbre de Sortie
Vis
Sceau, Arbre d'entrée
Jeu, Remplacer, Boîte de Vitesse (Y compris le instructions)

**REMARQUE:** Utilizer Dow Corning #709  
pour Sceau les Boîtes.