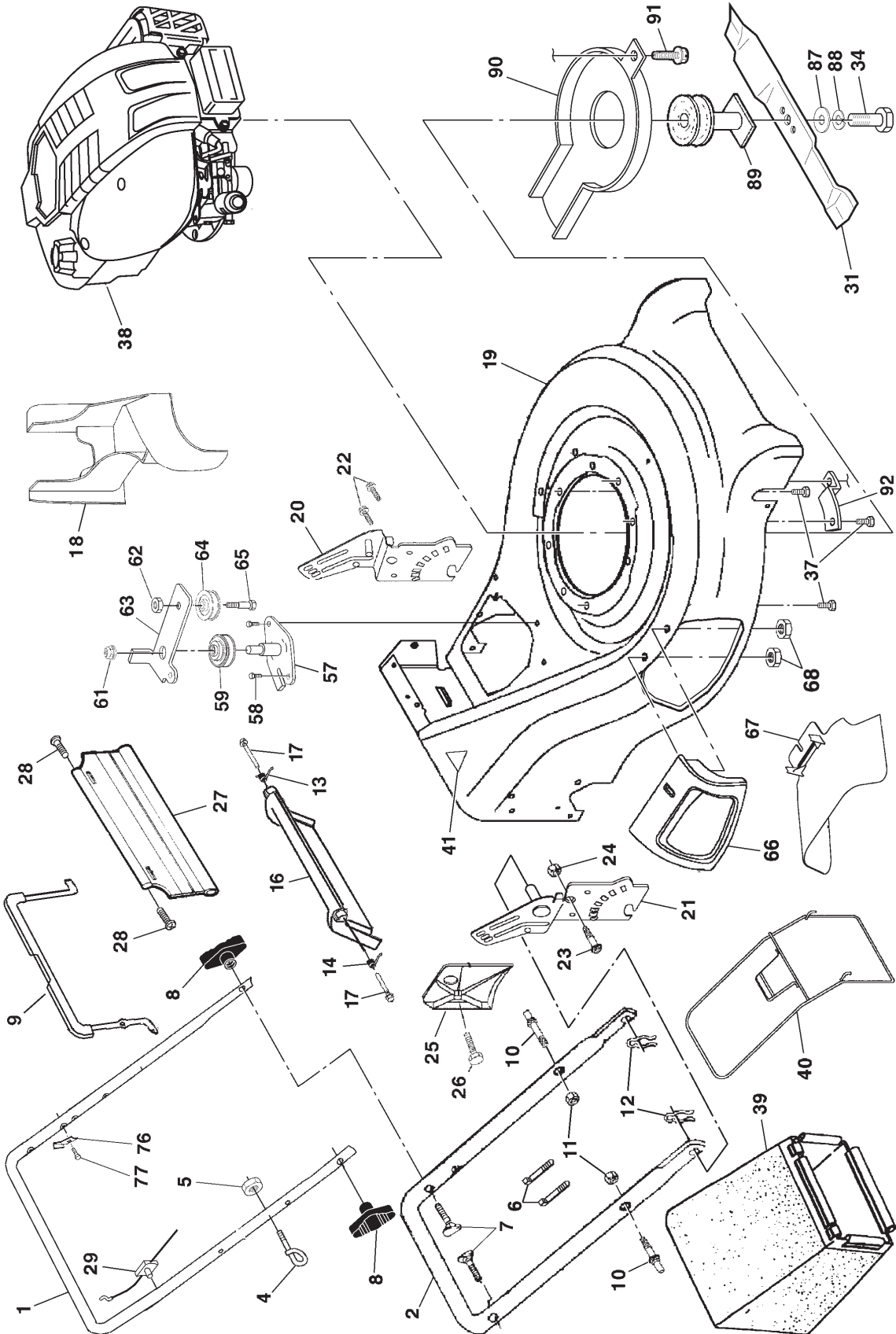


ROTARY LAWN MOWER -- MODEL NUMBER PR7R21 (PR7R21C)

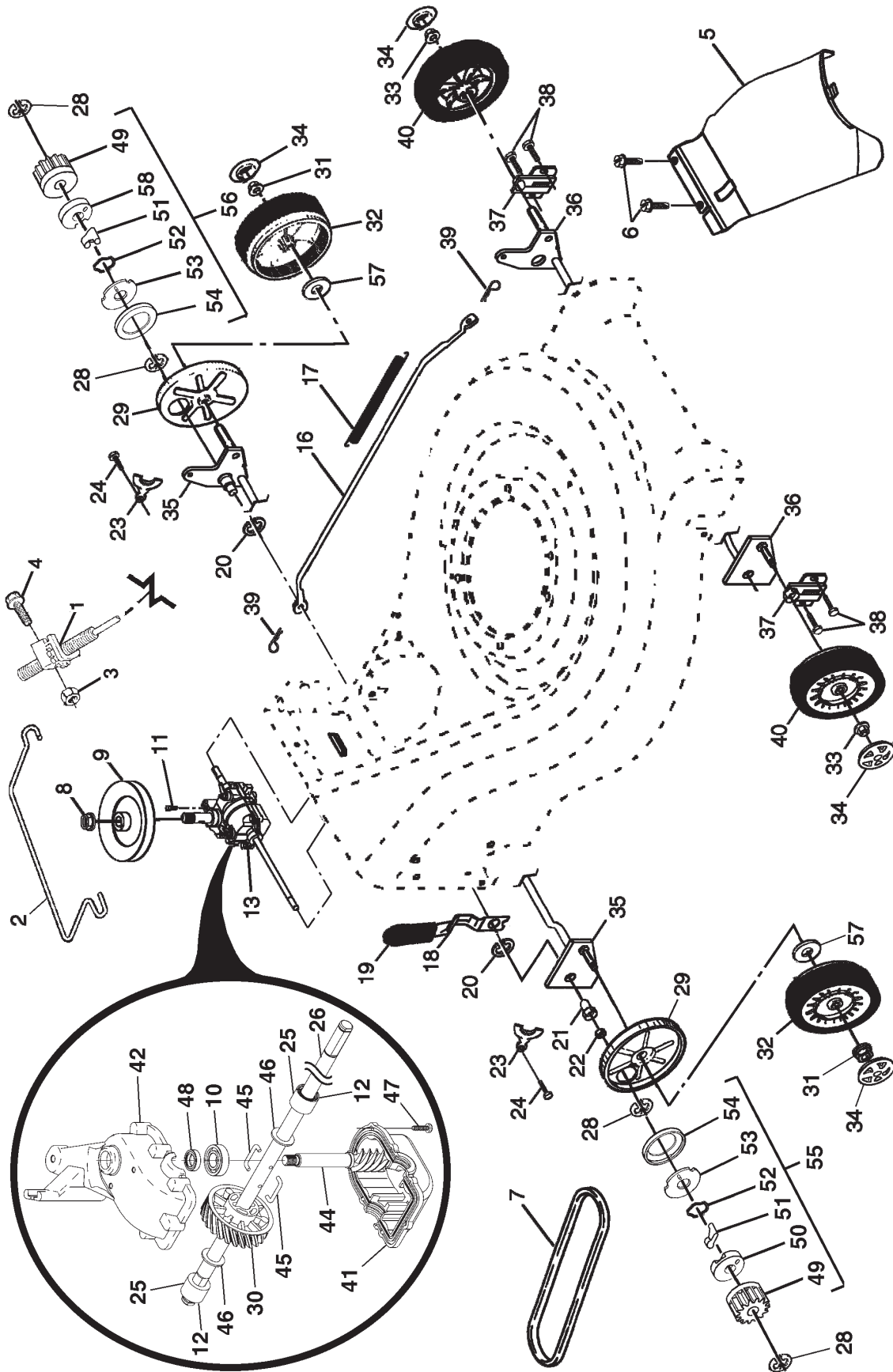


ROTARY LAWN MOWER - - MODEL NUMBER PR7R21 (PR7R21C)

KEY NO.	PART NO.	DESCRIPTION	KEY NO.	PART NO.	DESCRIPTION
1	189663X479	Handle, Upper	38	- - -	Engine, Briggs & Stratton, Model Number 12H602 (For engine service and replacement parts, call Briggs & Stratton at 1-800-233-3723)
2	161105X479	Handle, Lower	39	189004	Grassbag
3	186053	Spring, Rear Door, RH	40	188817	Frame, Grassbag
4	179585	Guide, Rope, Side	41	107339X	Danger Decal
5	132004	Nut, Hex, with Lockwasher Insert 1/4-20	57	179783X004	Bracket Assembly
6	66426	Wire, Tie	58	57808	Screw
7	191574	Bolt, Handle 5/16-18 x 2-5/8	59	184543	Pulley
8	189713X428	Knob, Handle	61	145212	Nut, Hex, Flanged
9	182810	Control Bar	62	155552	Locknut
10	188821	Bolt, Carriage	63	179719X004	Idler Arm
11	73930500	Nut, Hex, with Lockwasher Insert 5/16-18 UNC	64	166043	Idler Pulley
12	51793	Cotter, Hairpin	65	160829	Shoulder Bolt
13	186052	Spring, Rear Door, LH	66	183058X428	Rear Door Assembly
14	186053	Spring, Rear Door, RH	67	169699X428	Mulcher Door, Multi-Cut
16	185855X428	Rear Door Assembly	68	88349	Nut, Hex
17	184193	Bolt, Rear Door	76	850733X004	Bracket, Upstop
18	187535	Plug, Mulcher	77	750634	Screw
19	181763	Kit, Housing	87	851074	Washer
20	187249X479	Handle Bracket Assembly, Left	88	850263	Washer, Lock
21	187250X479	Handle Bracket Assembly, Right	89	189179	Blade Adapter / Pulley
22	150078	Screw, Hex Washer Head	90	188786	Debris Shield
23	163183	Bolt, Hex Head 5/16-18 x 5/8	91	188040	Bolt
24	73800500	Nut, Hex, with Lockwasher Insert 5/16-18	92	188839X004	Mounting Bracket, Debris Shield
25	161333	Baffle, Side	- -	162300	Warning Decal (not shown)
26	163409	Screw #12 x 5/8	- -	172787	Operator's Manual, English
27	188986	Skirt, Rear	- -	172788	Operator's Manual, French
28	88652	Screw, Hinge 1/4-20 x 1.25	- -	192194	Repair Parts Manual, English / French
29	183567	Cable, Engine Zone Control			
31	189028	Blade, 21"			
34	851084	Bolt, Hex Head			
37	150406	Bolt, Engine			

NOTE: All component dimensions given in U.S. inches.
1 inch = 25.4 mm

ROTARY LAWN MOWER -- MODEL NUMBER PR7R21 (PR7R21C)



ROTARY LAWN MOWER - - MODEL NUMBER PR7R21 (PR7R21C)

KEY NO.	PART NO.	DESCRIPTION	KEY NO.	PART NO.	DESCRIPTION
1	189181	Drive Control Assembly	33	83923	Nut, Flangelock 3/8-16
2	188952X428	Control Bar, Drive	34	77400	Hubcap, Mag, Platinum
3	751152	Nut, Hex	35	189180X004	Shaft Assembly, Rear
4	185681	Screw	36	160786X004	Shaft Assembly, Front
5	161537X428	Cover Drive	37	161463	Retainer, Front Shaft
6	750634	Screw, Threaded, Rolled #10-25 x .50	38	163409	Screw #12 x 5/8
7	182212	V-Belt	39	700279	Clip, Retainer
8	132010	Nut, Flangelock, Zinc Plated 3/8-16	40	172297	Wheel 8 x 2
9	189048	Pulley Assembly	41	187530	* Case, Lower
10	183506	Bearing, Ball	42	187531	* Case, Upper
11	187653	Screw	44	187533	Shaft, Input
12	183508	Seal, Output Shaft	45	183505	Wire, Formed
13	188645	Gear Case Assembly, Complete	46	183509	Washer
16	161584	Rod, Connecting	47	183513	Screw
17	161602	Spring, Extension	48	183514	Seal, Input Shaft
18	18953X004	Spring, Selector	49	175103	Pinion, Gear
19	189508X421	Knob, Selector Spring	50	175102	Retainer, Drive, RH
20	1200022	E-Ring 7/8	51	175098	Pawl
21	163365	Bearing, Support	52	188291	Spring, Torsion
22	169911	Bearing, Ball	53	175104	Disc, Drive
23	161118X004	Retainer, Drive Assembly	54	184172	Seal, Friction
24	57808	Screw, Tapping, Hex Head 1/4-20 x .75	55	188330	Pinion Assembly, RH
25	183511	Bushing	56	188331	Pinion Assembly, LH
26	191249	Shaft, Output	57	67725	Washer
28	12000058	E-Ring 7/16	58	175105	Retainer, Drive, LH
29	189403	Cover, Dust, Wheel			
30	187532	Gear, 24 Teeth			
31	145212	Nut, Flangelock			
32	180764	Wheel 9 x 2			

* Use Dow Corning #709 to reseal Gear Case Halves.

NOTE: All component dimensions given in U.S. inches.
1 inch = 25.4 mm