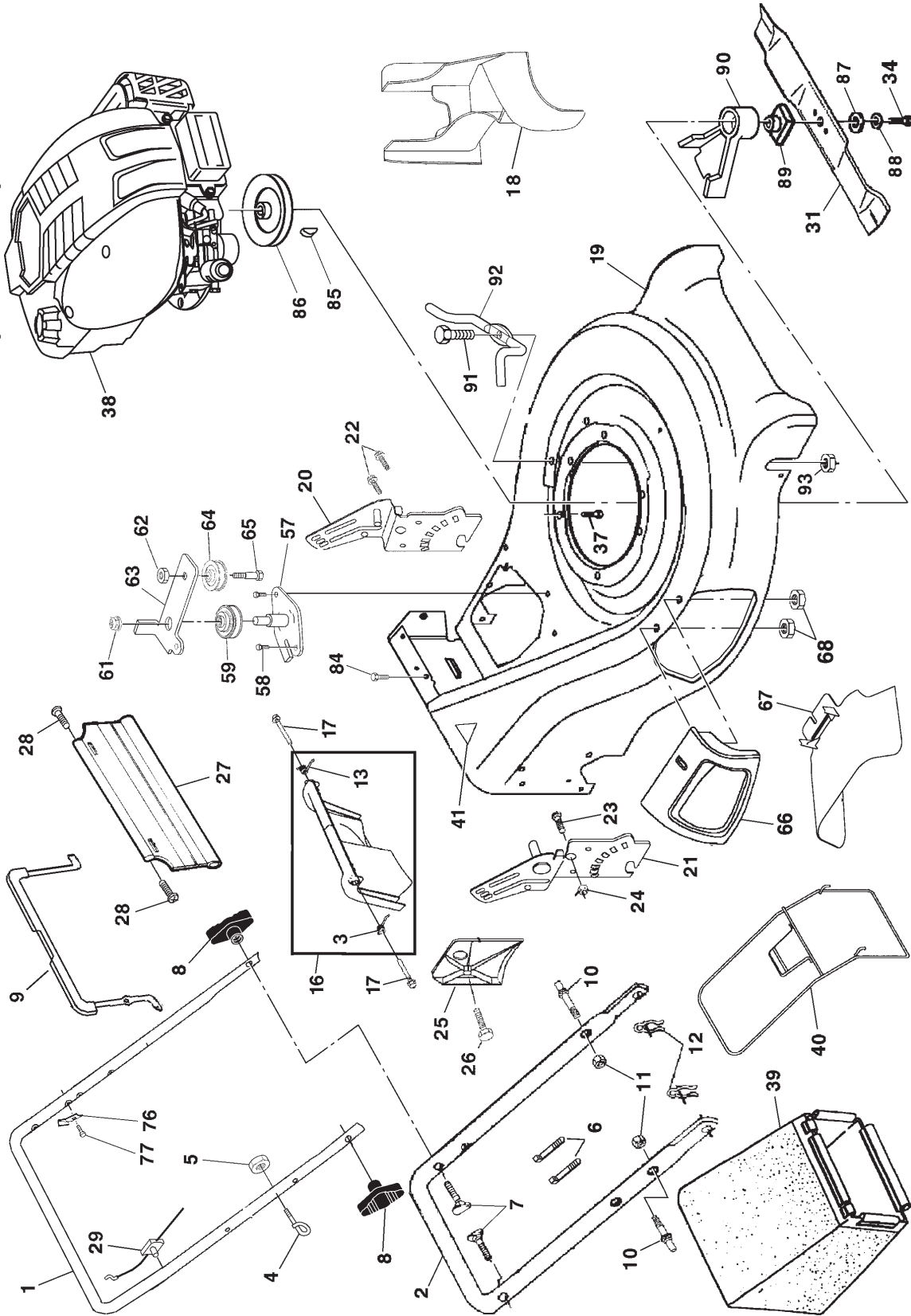


ROTARY LAWN MOWER -- MODEL NUMBER PR7R21 (PR7R21A)

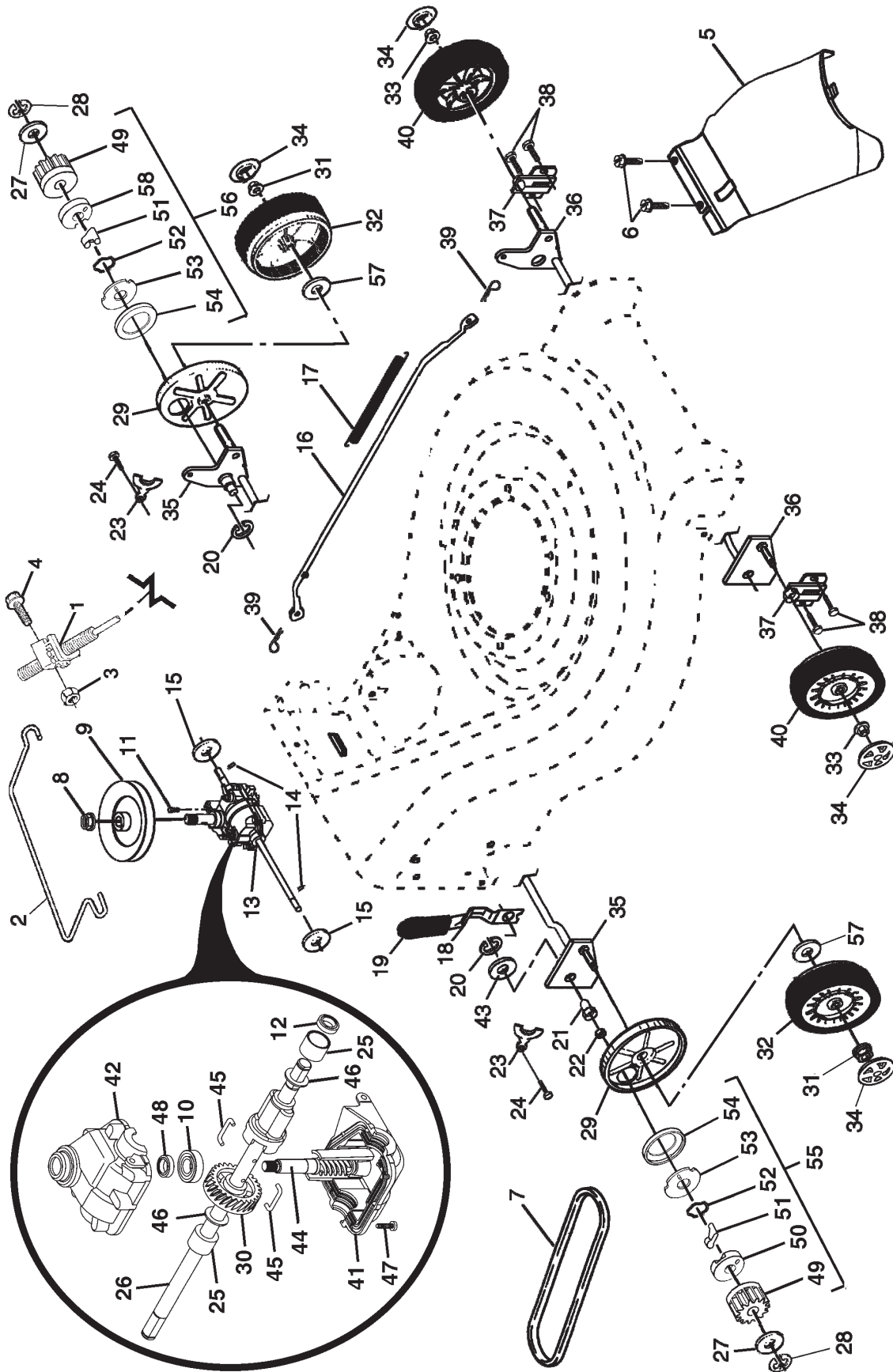


ROTARY LAWN MOWER - - MODEL NUMBER PR7R21 (PR7R21A)

KEY NO.	PART NO.	DESCRIPTION	KEY NO.	PART NO.	DESCRIPTION
1	189663X479	Handle, Upper	39	189004	Grass Bag
2	161105X479	Handle, Lower	40	188817	Frame, Grass Bag
3	186053	Spring, Rear Door, RH	41	107339X	Danger Decal
4	179585	Guide, Rope, Side	57	179783X004	Bracket Assembly
5	132004	Nut, Hex, with Lockwasher Insert 1/4-20	58	57808	Screw
6	66426	Wire, Tie	59	184543	V-Groove Pulley
7	131959	Bolt, Handle 5/16-18 x 2-5/8	61	145212	Nut, Hex, Flanged
8	136376	Knob, Handle	62	155552	Locknut
9	182810	Control Bar	63	179719X004	Idler Arm
10	188821	Bolt, Carriage	64	166043	Idler Pulley
11	73930500	Nut, Hex, with Lockwasher Insert 5/16-18 UNC	65	160829	Shoulder Bolt
12	51793	Cotter, Hairpin	66	183058X428	Rear Door Assembly
13	186052	Spring, Rear Door, LH	67	169699X428	Mulcher Door, Multi-Cut
16	185855X428	Kit, Rear Door (Includes Springs)	68	88349	Nut, Hex
17	184193	Bolt, Rear Door	76	850733X004	Bracket, Upstop
18	187535	Plug, Mulcher	77	750634	Screw
19	181763	Kit, Housing	84	54583	Screw
20	187249X479	Handle Bracket Assembly, Left	85	187723	Key, Hi-Pro
21	187250X479	Handle Bracket Assembly, Right	86	184941	Pulley
22	150078	Screw, Hex Washer Head	87	851074	Washer
23	163183	Bolt, Hex Head 5/16-18 x 5/8	88	850263	Washer, Lock
24	73800500	Nut, Hex, with Lockwasher Insert 5/16-18	89	184590	Blade Adapter
25	161333	Baffle, Side	90	189185	Debris Shield
26	163409	Screw #12 x 5/8	91	182227	Bolt
27	189986	Skirt, Rear	92	188244	Belt Keeper
28	88652	Screw, Hinge 1/4-20 x 1.25	93	182228	Nut, Hex
29	183567	Cable, Engine Zone Control	- -	162300	Warning Decal (Not Shown)
31	189028	Blade, 21"	- -	172787	Operator's Manual, English
34	851084	Bolt, Hex Head	- -	172788	Operator's Manual, French
37	150406	Bolt, Engine	- -	189745	Repair Parts Manual, English / French
38	- - -	Engine, Briggs & Stratton, Model Number 12H602 (For engine service and replacement parts, call Briggs & Stratton at 1-800-233-3723)			

NOTE: All component dimensions given in U.S. inches.
1 inch = 25.4 mm

ROTARY LAWN MOWER -- MODEL NUMBER PR7R21 (PR7R21A)



ROTARY LAWN MOWER - - MODEL NUMBER PR7R21 (PR7R21A)

KEY NO.	PART NO.	DESCRIPTION	KEY NO.	PART NO.	DESCRIPTION
1	189181	Drive Control Assembly	33	83923	Nut, Flangelock 3/8-16
2	188975	Control Bar, Drive	34	77400	Hubcap, Mag, Platinum
3	751152	Nut, Hex	35	160785X004	Shaft Assembly, Rear
4	185681	Screw	36	160786X004	Shaft Assembly, Front
5	161537X428	Cover Drive	37	161463	Retainer, Front Shaft
6	750634	Screw, Threaded, Rolled #10-25 x .50	38	163409	Screw #12 x 5/8
7	182212	V-Belt	39	700279	Clip, Retainer
8	132010	Nut, Flangelock, Zinc Plated 3/8-16	40	172297	Wheel 8 x 2
9	184749	Pulley, Drive	41	187530	* Case, Lower
10	183506	Bearing, Ball	42	187531	* Case, Upper
11	187653	Screw	43	19572216	Washer
12	183508	Seal, Output Shaft	44	187533	Shaft, Input
13	187213	Gear Case Assembly, Complete	45	183505	Wire, Formed
14	145354	Pin, Spring, Thrust	46	183509	Washer
15	57079	Washer, Hardened	47	183513	Screw
16	161584	Rod, Connecting	48	183514	Seal, Input Shaft
17	161602	Spring, Extension	49	175103	Pinion, Gear
18	160477X004	Spring, Selector	50	175102	Retainer, Drive, RH
19	189808X421	Knob, Selector Spring	51	175098	Pawl
20	12000022	E-Ring 7/8	52	188291	Spring, Torsion
21	163365	Bearing, Support	53	175104	Disc, Drive
22	169911	Bearing, Ball	54	175101	Seal, Friction
23	161118X004	Retainer, Drive Assembly	55	188293	Pinion/Pawl Assembly, RH
24	57808	Screw, Tapping, Hex Head 1/4-20 x .75	56	188292	Pinion/Pawl Assembly, LH
25	183511	Bushing	57	67725	Washer
26	187534	Shaft, Output	58	175105	Retainer, Drive, LH
27	52160	Washer, Shim (as required)	62	187653	Screw
28	12000058	E-Ring 7/16			
29	180504	Cover, Dust, Wheel			
30	187532	Gear, 24 Teeth			
31	145212	Nut, Flangelock			
32	190846	Wheel 9 x 2			

* Use Dow Corning #709 to reseal Gear Case Halves.

NOTE: All component dimensions given in U.S. inches.
1 inch = 25.4 mm