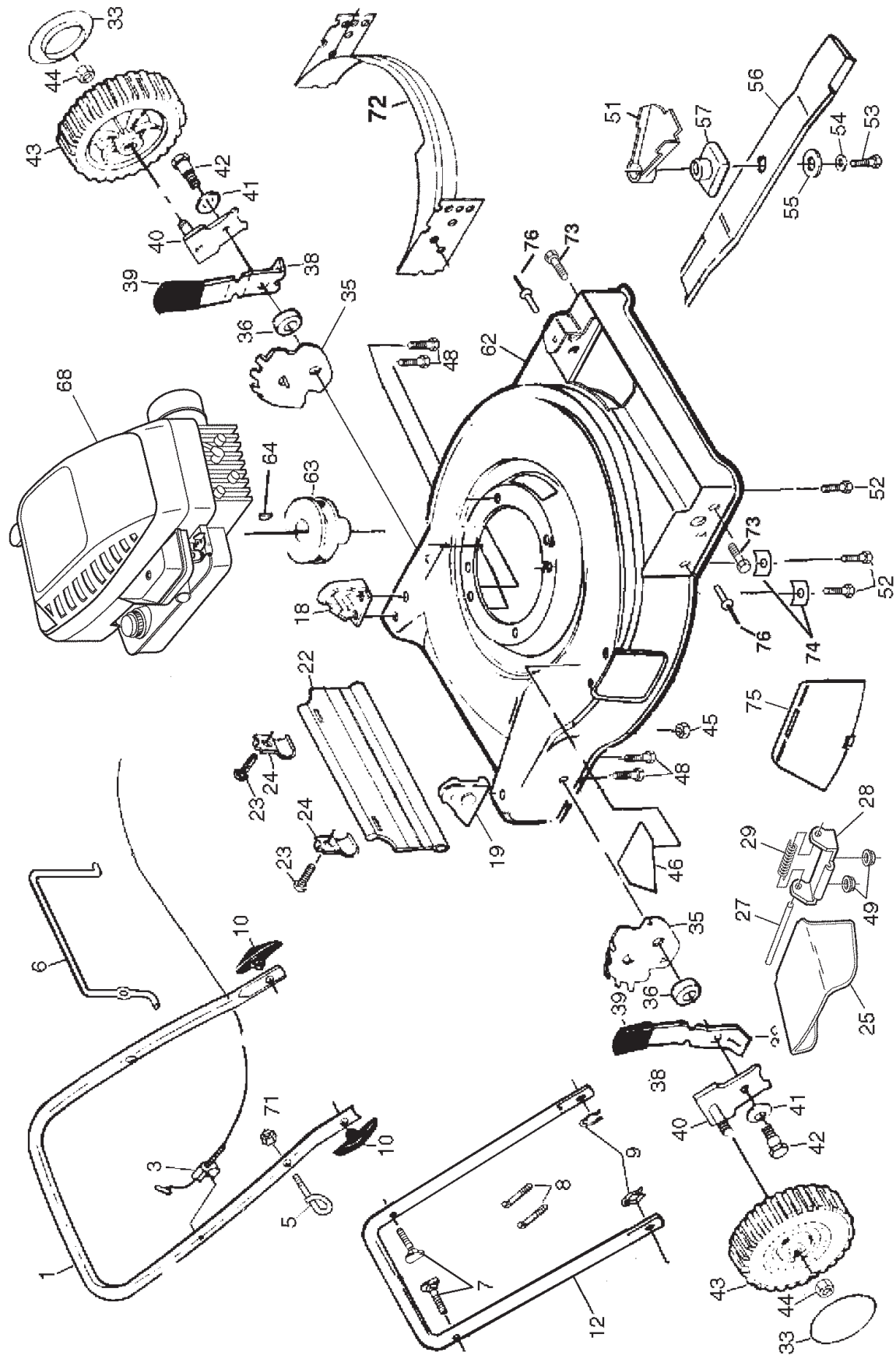


ROTARY LAWN MOWER -- MODEL NUMBER PR45Y22SB



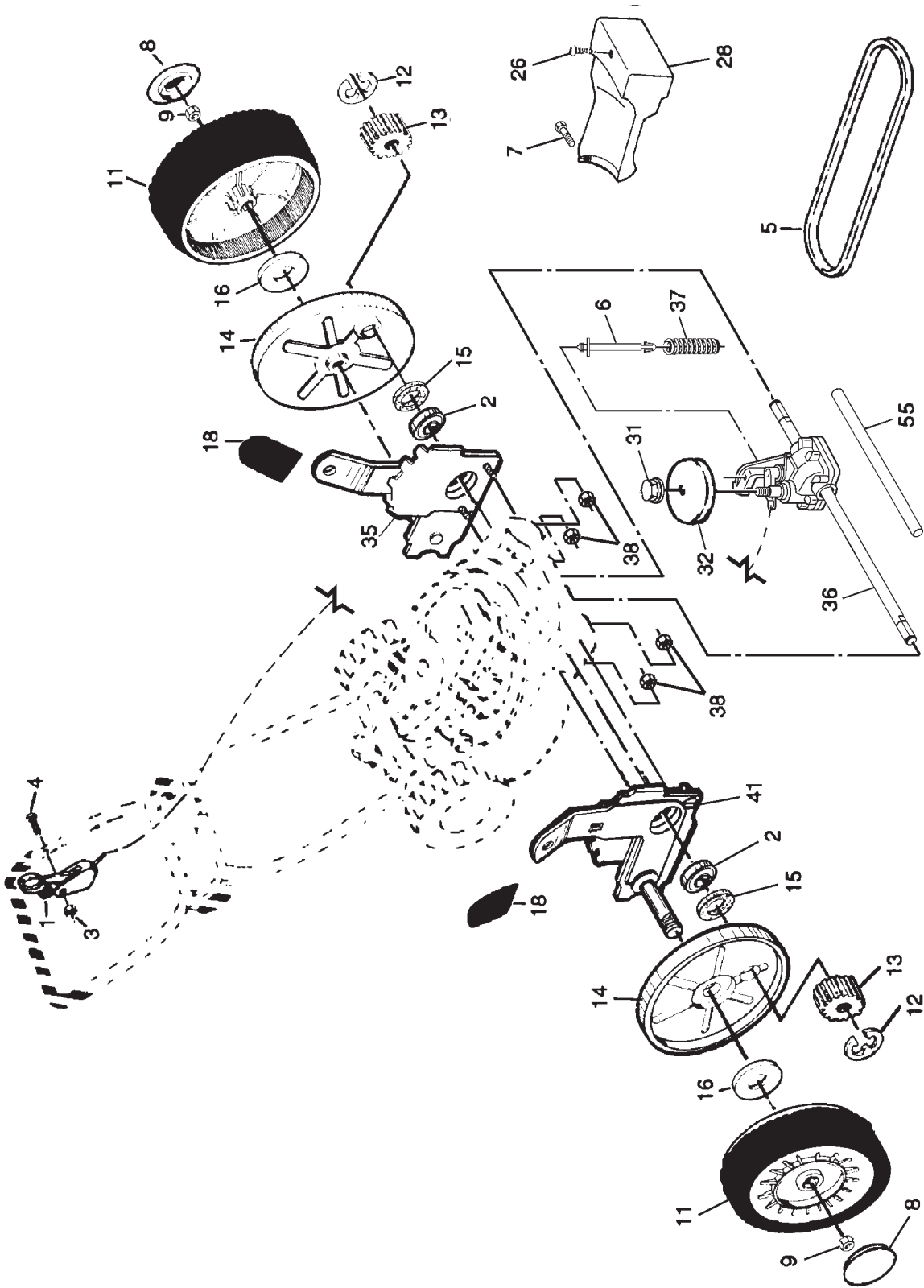
**ROTARY LAWN MOWER - - MODEL NUMBER PR45Y22SB**

KEY NO.	PART NO.	DESCRIPTION	KEY NO.	PART NO.	DESCRIPTION
1	166860X479	Upper Handle	49	73800400	Hex Locknut
3	156581	Zone Control Cable	51	182002	Debris Shield
5	186079	Rope Guide	52	150406	Hex Head Thread Rolling Screw 3/8-16 x 1-1/8
6	185242	Control Bar	53	851084	Hex Head Screw 3/8-24 x 1-3/8 (Grd. 8)
7	131959	Handle Bolt	54	850263	Helical Lockwasher
8	66426	Wire Tie	55	851074	Hardened Washer
9	51793	Hairpin Cotter	56	141114	Blade 22"
10	170146	Handle Knob	57	851514	Blade Adapter
12	151590X479	Lower Handle	62	172837	Lawn Mower Housing (Incl. Ref. #46)
18	170346X479	Handle Bracket Assembly (Left)	63	84596	Engine Pulley
19	170345X479	Handle Bracket Assembly (Right)	64	87677	Hi-Pro Key #HP 505
22	140540	Rear Deflector	68	- - -	Engine, Briggs & Stratton, Model Number 10G902 (Order Parts from Engine Manufacturer)
23	750097	Hex Washer Head Screw #10-24 x 1/2	71	132004	Locknut Keps
24	87584X004	Deflector Bracket	72	170031	Front Baffle
25	750149	Discharge Guard	73	17600406	Screw
27	147286	Hinge Rod	74	851201X004	Engine Washer
28	87593	Housing Bracket	75	751772X479	Mulch Plate
29	87589	Torsion Spring	76	128415	Pop Rivet
33	180660	Hubcap	- -	134027X479	Rear Baffle (Not Shown)
35	750085X007	Wheel Adjusting Bracket	- -	162300	Warning Decal (Not Shown)
36	146630	Spacer	- -	172787	Operator's Manual, English
38	700331X004	Selector Spring	- -	172788	Operator's Manual, French
39	170143	Selector Knob	- -	187396	Repair Parts Manual, English/French
40	145935X004	Axle Arm Assembly			
41	62335	Belleville Washer			
42	142748	Shoulder Bolt			
43	157178	Wheel & Tire Assembly			
44	83923	Hex Nut			
45	751592	Locknut 3/18-16			
46	107339X	Danger Decal			
48	149741	Thread Cutting Screw 5/16-18 x 3/4			

Available accessories not included with lawn mower:  
 - - GCK5000 Grass Catcher

**NOTE:** All component dimensions given in U.S. inches.  
 1 inch = 25.4 mm

ROTARY LAWN MOWER -- MODEL NUMBER PR45Y22SB

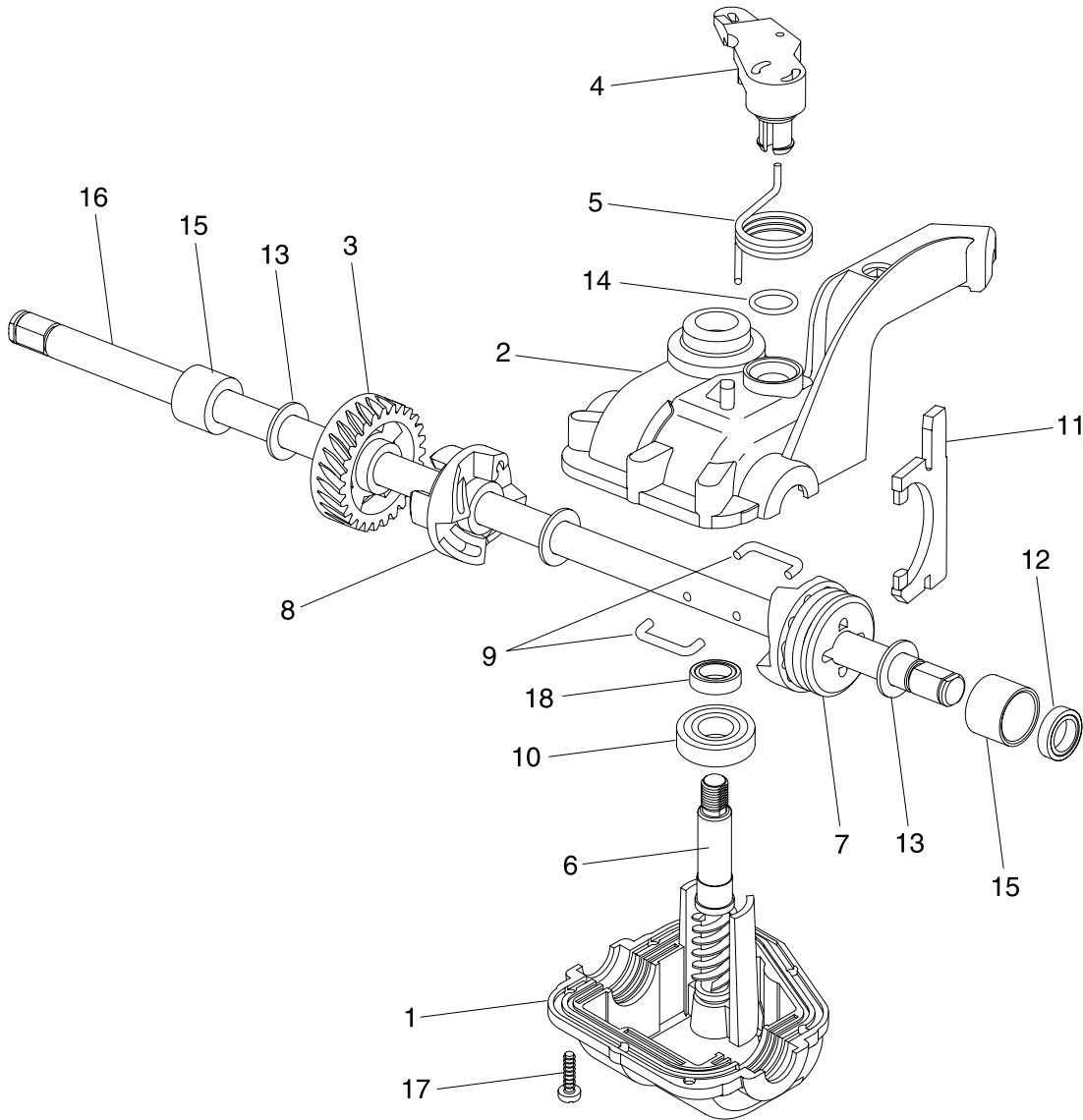


**ROTARY LAWN MOWER - - MODEL NUMBER PR45Y22SB**

KEY NO.	PART NO.	DESCRIPTION	KEY NO.	PART NO.	DESCRIPTION
1	184605		18	170143	Selector Knob
2	167387	Control Cable Assembly	26	143603	Pan Head Tapping Screw #10-24 x 2-3/4
3	751152	Bearing, Wheel Adjuster	28	137088	Drive Cover
4	158755	Locknut 1/4-20	31	132010	Locknut
5	146527	Hex Washer Head Screw 1/4 x 2.0	32	137052	Drive Pulley
6	150495	V-Belt	35	152018	Kit, Wheel Adjuster, LH (Includes Knob and Bearing)
7	750097	Retainer Spring	36	187211	Gear Case Assembly (See Breakdown)
8	180660	Screw	37	137090	Spring
9	145212	Hubcap	38	73800400	Locknut 1/4-20
11	180767	Hex Nut	41	152019	Kit, Wheel Adjuster, RH (Includes Knob and Bearing)
12	12000058	Wheel and Tire Assembly	55	86012	Driveshaft Cover
13	137054	E-Ring			
14	180504	Pinion			
15	88118	Dust Cover			
16	67725	Felt Washer			
		Washer 1/2 x 1-1/2 x .134			

**NOTE:** All component dimensions given in U.S. inches.  
1 inch = 25.4 mm

**ROTARY LAWN MOWER - - MODEL NUMBER PR45Y22SB  
GEAR CASE ASSEMBLY - - PART NUMBER 187211**



KEY NO.	PART NO.	DESCRIPTION
1	183497	Case, Lower
2	183498	Case, Upper
3	183499	Gear, 27 Teeth
4	183500	Lever, Clutch
5	183501	Spring, Return
6	183502	Shaft, Input
7	183503	Dog, Movable
8	183504	Dog, Fixed
9	183505	Wire, Formed
10	183506	Bearing, Ball
11	183507	Fork, Shift
12	183508	Seal, Output Shaft
13	183509	Washer
14	183510	Seal, Case
15	183511	Bushing
16	187521	Shaft, Output
17	183513	Screw
18	183514	Seal, Input Shaft

**NOTE:** Use Dow Corning #709 to reseal Gear Case Halves.

**NOTE:** All component dimensions given in U.S. inches.  
1 inch = 25.4 mm