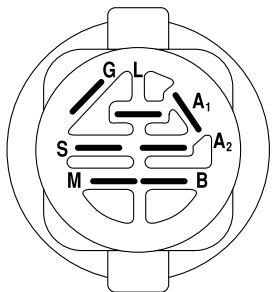
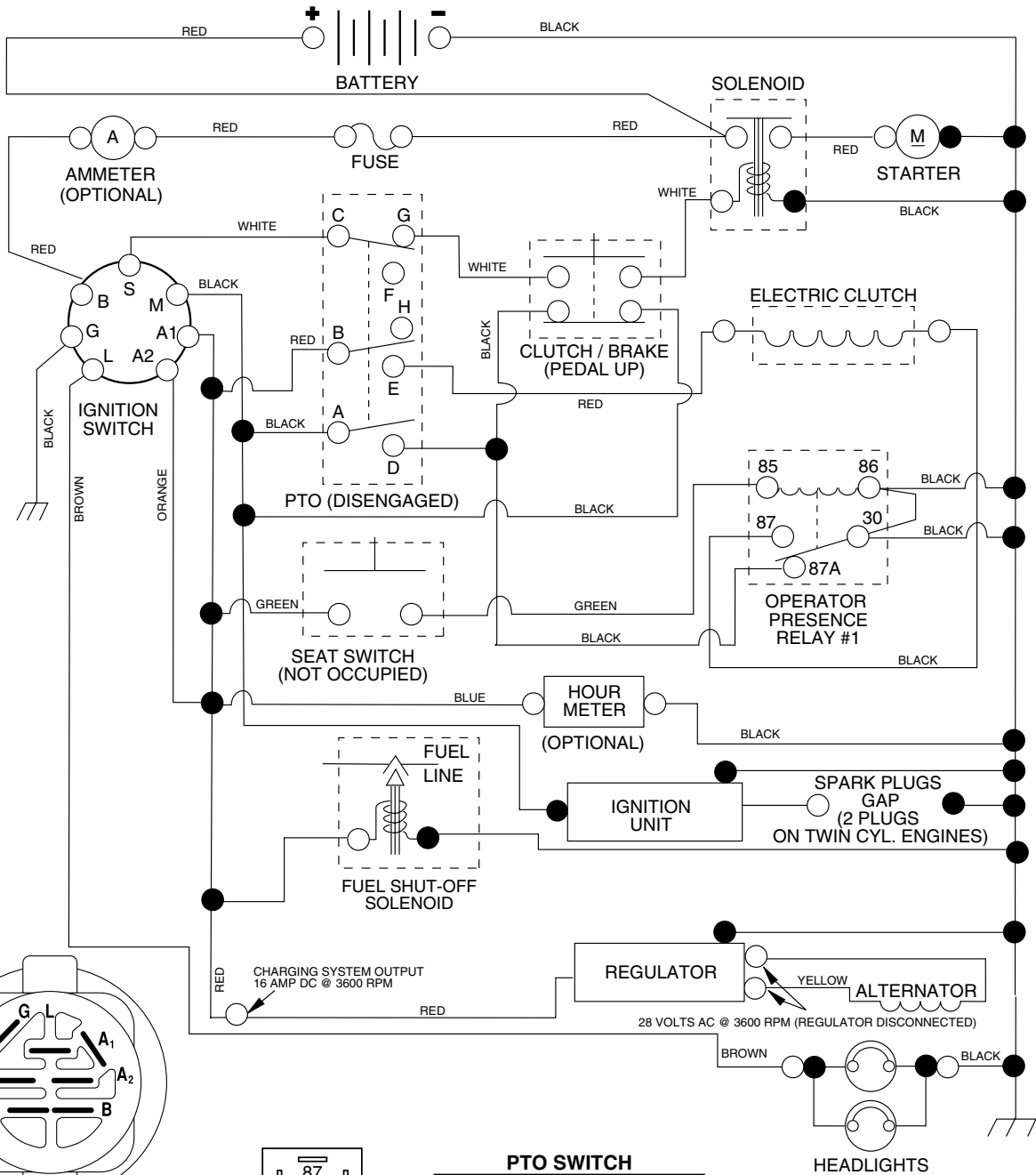


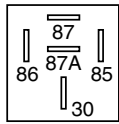
TRACTOR - MODEL NUMBER PDGT26H48A, PRODUCT NUMBER 954 56 95-30
SCHEMATIC



IGNITION SWITCH

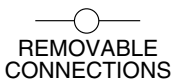
POSITION	CIRCUIT	"MAKE"
OFF	M + G + A1	NONE
ON + LIGHTS	B + A1	L + A2
ON	B + A1	NONE
START	B + S + A1	NONE

WIRING INSULATED CLIPS
NOTE: IF WIRING INSULATED CLIPS WERE REMOVED FOR SERVICING OF UNIT, THEY SHOULD BE REPLACED TO PROPERLY SECURE YOUR WIRING.



RELAY

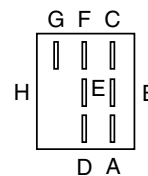
PTO SWITCH	
POSITION	CIRCUIT
OFF	C + G, B + H
ON	C + F, B + E, A + D



REMOVABLE CONNECTIONS

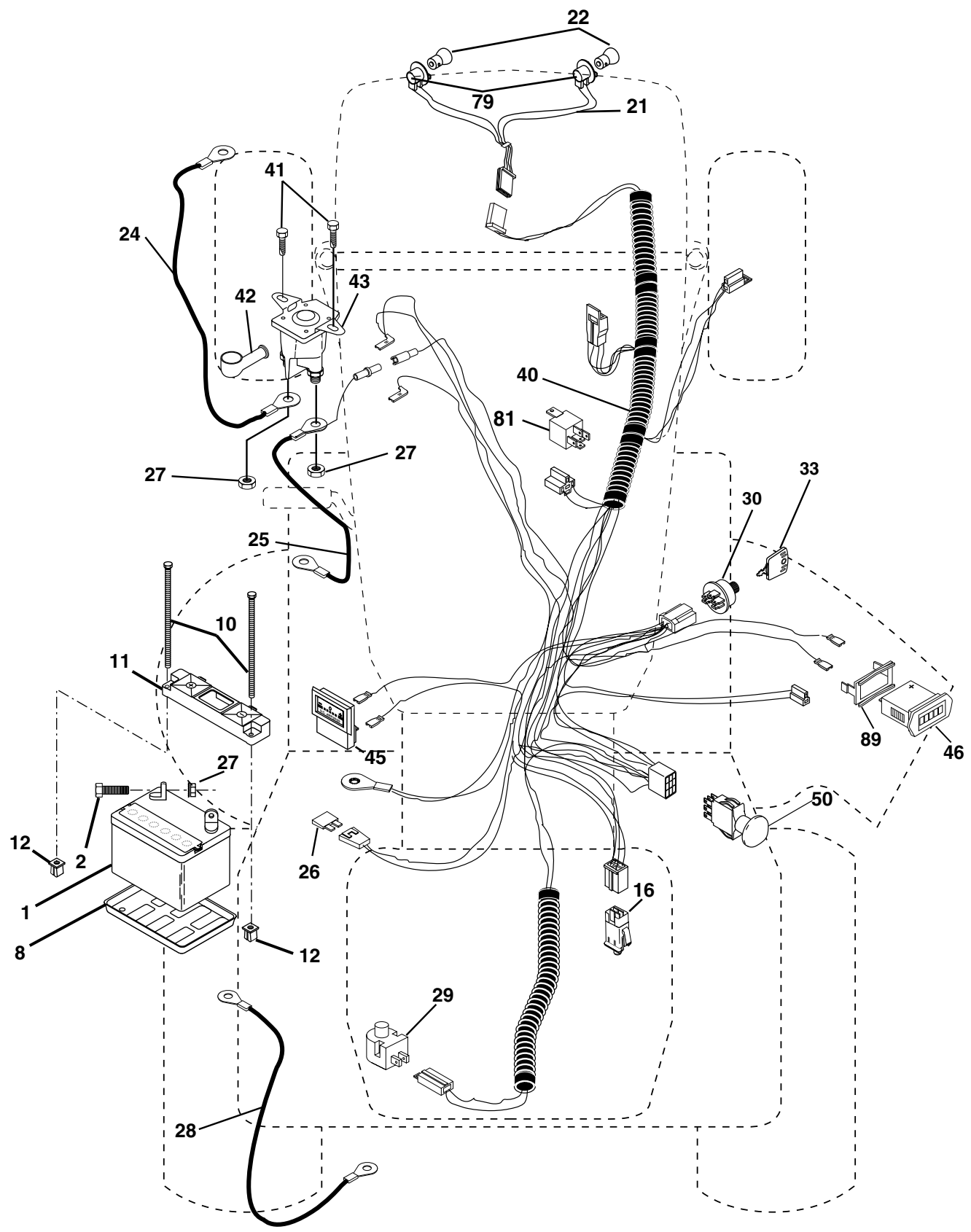


NON-REMOVABLE CONNECTIONS



REPAIR PARTS

TRACTOR - MODEL NUMBER PDGT26H48A, PRODUCT NUMBER 954 56 95-30
ELECTRICAL



REPAIR PARTS

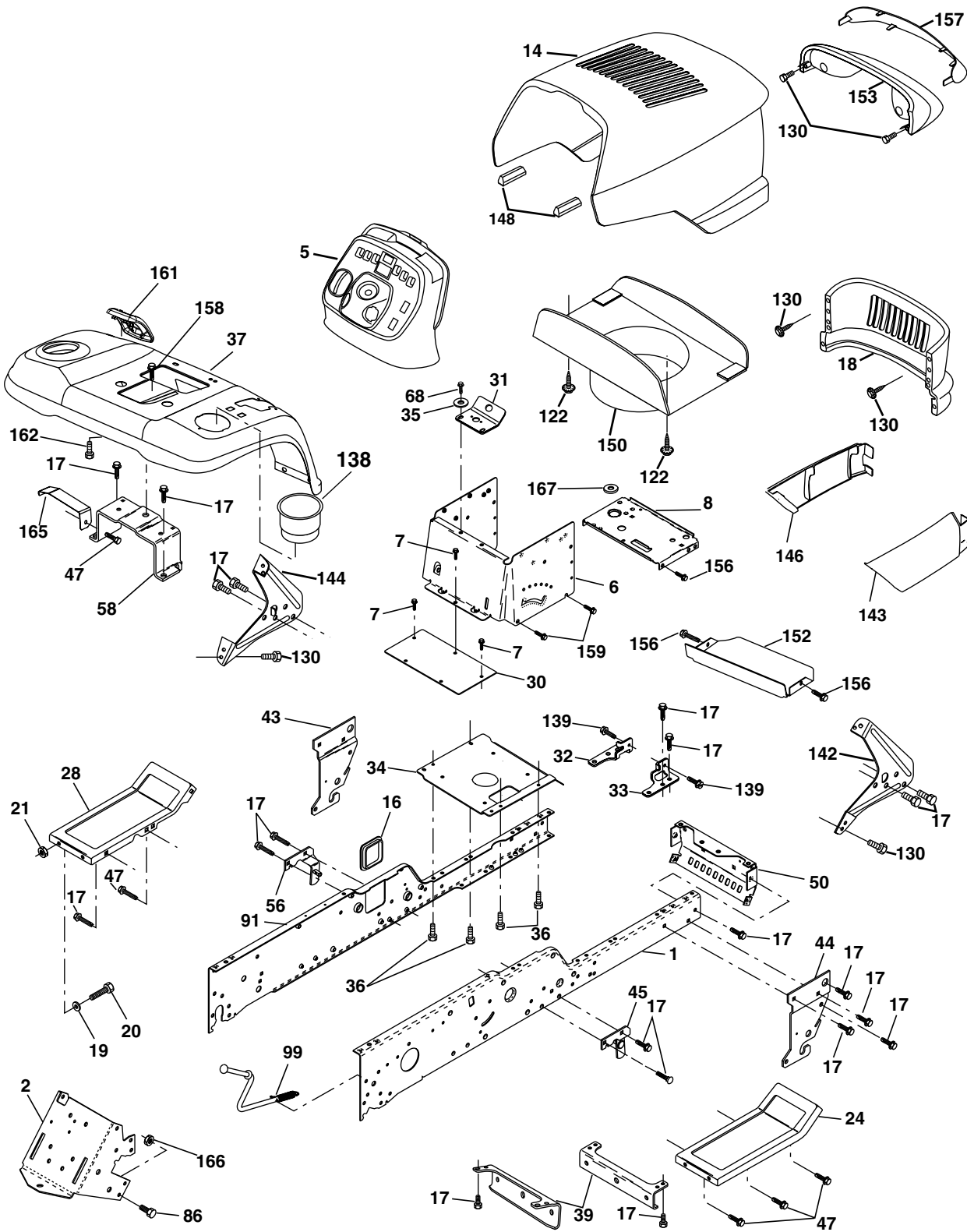
TRACTOR - MODEL NUMBER PDGT26H48A, PRODUCT NUMBER 954 56 95-30
ELECTRICAL

KEY NO.	PART NO.	DESCRIPTION
1	144927	Battery
2	74760412	Bolt Hex Head 1/4-20 x 3/4
8	7603J	Tray, Battery
10	145211	Bolt Btr Frt 1/4-20 x 7.5 zinc
11	150109	Holdown Battery Front Mount
12	145769	Nut Push Nylon 1/4"
16	176138	Switch Interlock Push-In
21	175688	Harness Headlight w/Bulbs
22	4152J	Bulb Light
24	185464	Cable, Battery
25	146149	Cable, Battery
26	108824X	Fuse
27	73510400	Nut Keps Hex 1/4-20 Unc
28	170697	Cable, Ground
29	160784	Switch, Plunger
30	175566	Switch, Ign
33	140401	Key
40	170238	Harness, Ignition
41	17720408	Screw 1/4-20 x 1/2
42	131563	Cover, Terminal Red
43	178861	Solenoid
45	122822X	Ammeter
46	169635	Hourmeter Snap-In
50	174653	Switch, PTO
79	175242	Socket, Light Bulb
81	109748X	Relay Asm.
89	169639	Bracket Snap-In

NOTE: All component dimensions given in U.S.
inches 1 inch = 25.4 mm

REPAIR PARTS

TRACTOR - MODEL NUMBER PDGT26H48A, PRODUCT NUMBER 954 56 95-30
CHASSIS AND ENCLOSURES



chassis-stealth_37-vgt.

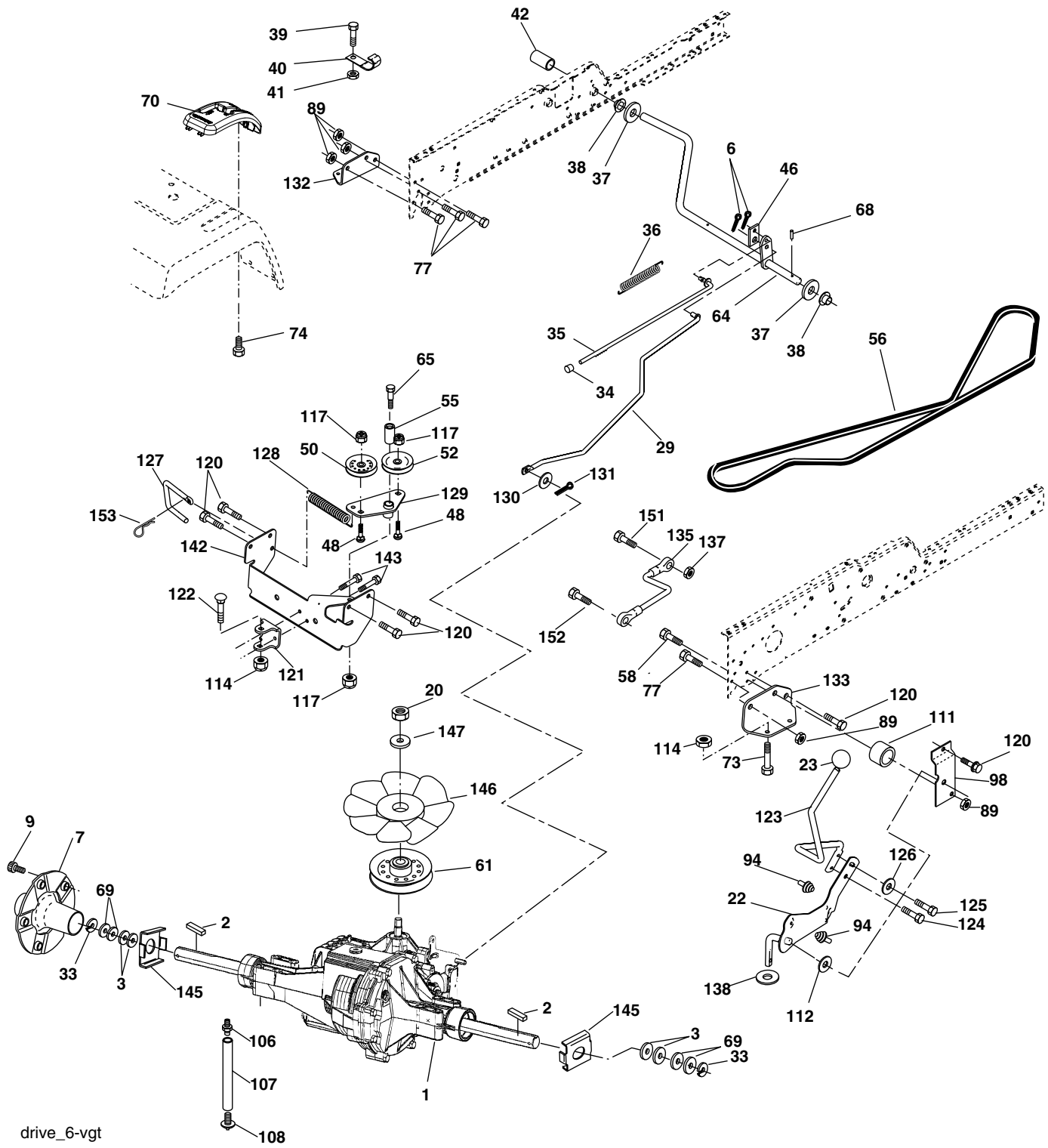
REPAIR PARTS**TRACTOR - MODEL NUMBER PDGT26H48A, PRODUCT NUMBER 954 56 95-30
CHASSIS AND ENCLOSURES**

KEY NO.	PART NO.	DESCRIPTION	KEY NO.	PART NO.	DESCRIPTION
1	180375	Rail, Frame RH	58	183569	Bracket Asm., Fender
2	175282	Drawbar, Gt	68	17490508	Screw, Thd 5/16-18 x 1/2
5	163976X428	Dash	86	74780716	Bolt, Fin Hex 7/16-14 Unc x 1
6	157882	Dash Asm., Lower	91	180374	Rail, Frame Lh
7	17720408	Screw, Thd Cut 1/4-20 x 1/2	99	177143	Rod By Pass
8	145166	Support, Battery	122	161464	Screw Hex Wshd 8-18 x 7/8
14	175260X428	Hood Asm., Pnt	130	171875	Screw HWHD Hi-Lo #13-16 x 3/4
16	121794X	Cover, Access	138	179125X428	Cupholder YTGT
17	17060612	Screw, 3/8-16 x 3/4	139	171873	Bolt Shoulder 5/16-18 TT
18	175289X428	Grille	140	163806	Magnet YTGT
19	19131312	Washer 13/32 x 13/16 x 12 Ga.	141	163805	Stricker Plate YTGT
20	74780616	Bolt, Fin Hex 3/8-16 x 1	142	161897	Bracket Dash RH
21	73800600	Nut, Lock Hex w/Ins. 3/8-16 Unc	143	169847X428	Skirt Grill RH
24	179717X428	Footrest, RH	144	161900	Bracket Dash LH
28	179716X428	Footrest, LH	146	169848X428	Skirt Grill LH
30	145052	Saddle, Hydro 1995	148	164655	Extrusion Bumper
31	161419	Bracket, Supt 1-pc VGT Steering	150	175352	Duct Heat Hood
32	161327	Bracket, Pivot Chassis LH	152	177956	Shield Browning
33	161326	Bracket, Pivot Chassis RH	153	179761	Light Box Asm. w/Lens
34	177018	Plate Asm. Engine Chassis	156	17000512	Screw 5/16-18 x 3/4
35	19111116	Washer 11/32 x 11/16 x 16 Ga.	157	161840	Lens, Bar
36	17060512	Screw 5/16-18 x 3/4	158	17670608	Screw Thdrol 3/8-16 x 1/2
37	178510X428	Fender, Pnt.	159	17000612	Screw 3/8-16 x 3/4
39	175278	Bracket, Axle Front	161	179612X428	Console Fuel Window
43	136939	Bracket, Spnsn Front Lh	162	142432	Screw 1/4-1/2
44	136940	Bracket, Spnsn Front Rh	165	183554	Bracket Support Tank
45	176018	Bracket Asm., Susp Chassis Rh	166	73680700	Nut, Crownlock 7/16-14Unc
47	17490608	Screw Thdrol 3/8-16 x 1/2 TYT			
50	175476	Bracket, Chassis Front			
56	176016	Bracket Asm., Susp Chassis Lh			

NOTE: All component dimensions given in U.S. inches
1 inch = 25.4 mm

REPAIR PARTS

TRACTOR - MODEL NUMBER PDGT26H48A, PRODUCT NUMBER 954 56 95-30
GROUND DRIVE



drive_6-vgt

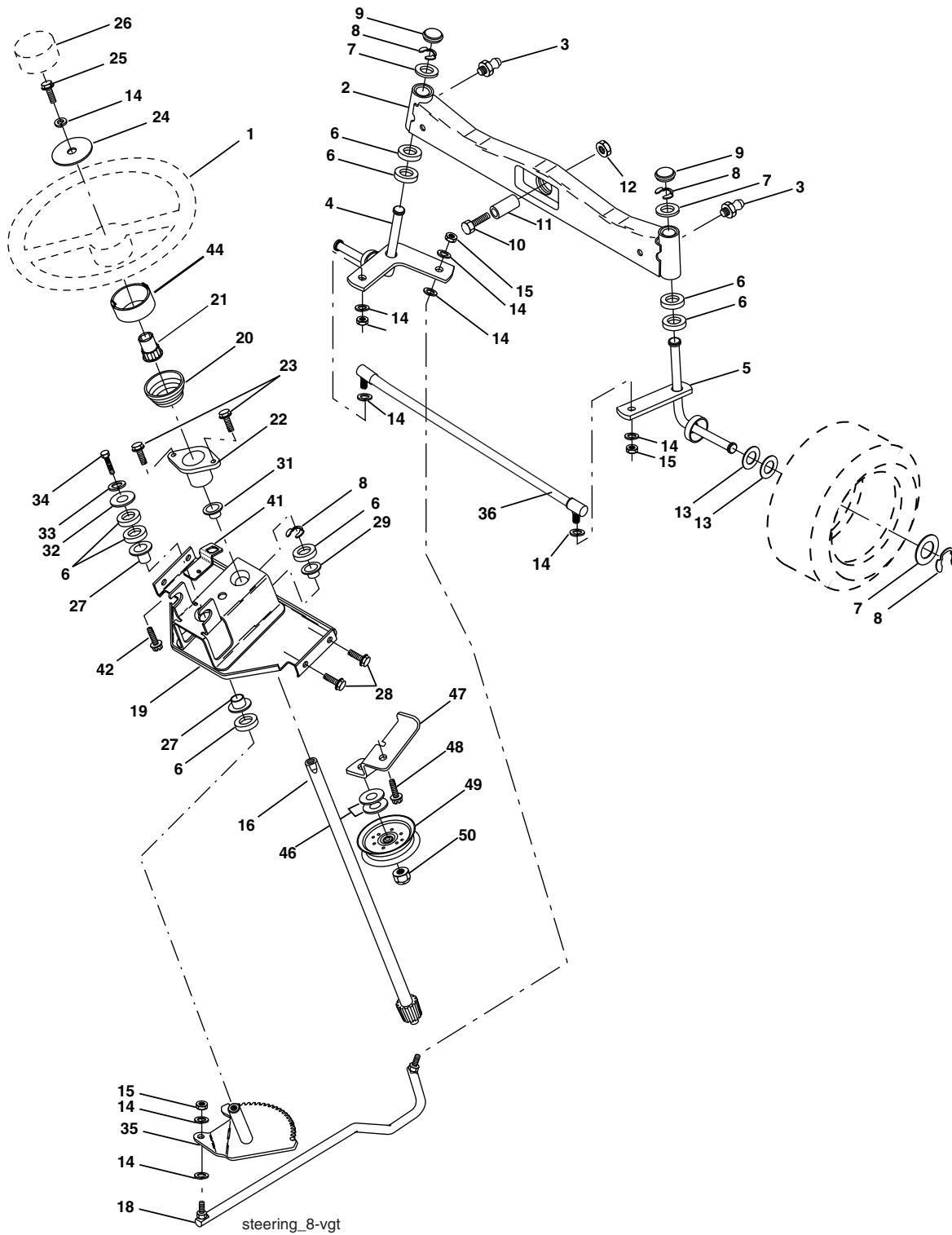
REPAIR PARTS**TRACTOR - MODEL NUMBER PDGT26H48A, PRODUCT NUMBER 954 56 95-30
GROUND DRIVE**

KEY NO.	PART NO.	DESCRIPTION	KEY NO.	PART NO.	DESCRIPTION
1	-----	Transaxle Hydro Gear 331-3000 (Order Parts From Trans- axle Manufacturer)	89	73680700	Nut Crownlock 7/16-14 Unc
2	7070E	Key Sq. 1/4 x 2.5	94	133835	Fastener Christmas Tree
3	7563R	Washer Thrust	98	141004	Bracket Shift
6	76020412	Pin, Cotter	106	142918	O-Ring Asm Hydro Gear
7	140507	Wheel, Hub Assembly	107	154739	Line Fuel Hydro 15" VGT
9	140080	Bolt, Hub	108	142917	Cap Asm Vent Hydro Gear
20	73940800	Nut	111	156240	Spacer Shift Lever VGTH
22	180235	Lever Asm Shift	112	156104	Washer Nylon High Temp
23	140845	Knob	114	73800500	Nut Lock Hex W/Ins 5/16-18 Unc
29	176600	Brake, Rod	117	73900600	Nut, Lock Flg. 3/8-16
33	12000053	Ring E	120	17060612	Screw 3/8-16 x .75
34	71673	Cap, Parking Brake	121	175611	Bracket Strap Torque
35	137648	Rod, Parking Brake	122	72010520	Bolt 5/16-18 x 2.50
36	149412	Spring, Drive Ground	123	183254	Rod Shift
37	121749X	Washer 25/32 x 1-1/4 x 16 Ga.	124	165492	Bolt Shoulder 5/16-18 x .561
38	150035	Nyliner	125	166880	Screw 5/16-18 x 5/8
39	74321016	Screw, Fin. #10-24 x 1	126	166002	Washer SRRTD 5/16 ID x 1.0 x .125
40	178575	Actuator, Interlock Switch	127	177362	Link Control Clutch
41	73931000	Nut Centerlock 10-24 Unc	128	176624	Spring Drive GRND
42	123533X	Cover, Pedal	129	179473	Bracket Asm Idler Tensioning
46	145170	Retainer, Spring	130	19131016	Washer 13/32 x 5/8 x 16 Ga.
48	72110614	Bolt Carr. Shoulder 3/8-16 x 1-3/4 Gr. 5	131	76020312	Pin Cotter 3/32 x 3/4
50	131494	Pulley, Idler, Flat	132	175467	Bracket Mtg Hydro 3500 LH VGT
52	127783	Pulley, Idler, Grooved	133	175468	Bracket Mtg Hydro 3500 RH VGT
55	105706X	Bearing, Idler	135	177364	Link Asm Control Hydro 3500
56	161597	V-Belt	137	1685H	Nut Lock 5/16-18 NC Thd.
58	74760724	Bolt Fin Hex 7/16-14 x 1-1/2	138	1370H	Washer Thrust 5/8 x 1.10 x 1/32
61	143995	Pulley, Transaxle	142	175469	Strap Torque HG-3500
64	176601	Shaft, Brake Pedal	143	17060512	Screw 5/16-18 x 3/4
65	179613	Bolt, Shoulder	145	163168	Washer Axle Flange HG-3000
68	5142H	Pin, Roll	146	140462	Fan 7" Hydro
69	123800X	Washer	147	141322	Washer
70	179121X428	Console Shift	148	17060620	Screw 3/8-16 x 1-1/4
73	74490548	Bolt Hex Flghd 5/16-18 x 3 Gr5	151	74760514	Bolt Fin Hex 5/16-18 x 7/8
74	142432	Screw Hex Wsh. Hi-Lo 1/4-1/2	152	178705	Bolt Hex 5/16-18 x 1
77	74780716	Bolt Fin Hex 7/16-14 x 1	153	4497H	Spring Retainer

NOTE: All component dimensions given in U.S. inches
1 inch = 25.4 mm

REPAIR PARTS

TRACTOR - MODEL NUMBER PDGT26H48A, PRODUCT NUMBER 954 56 95-30 STEERING ASSEMBLY



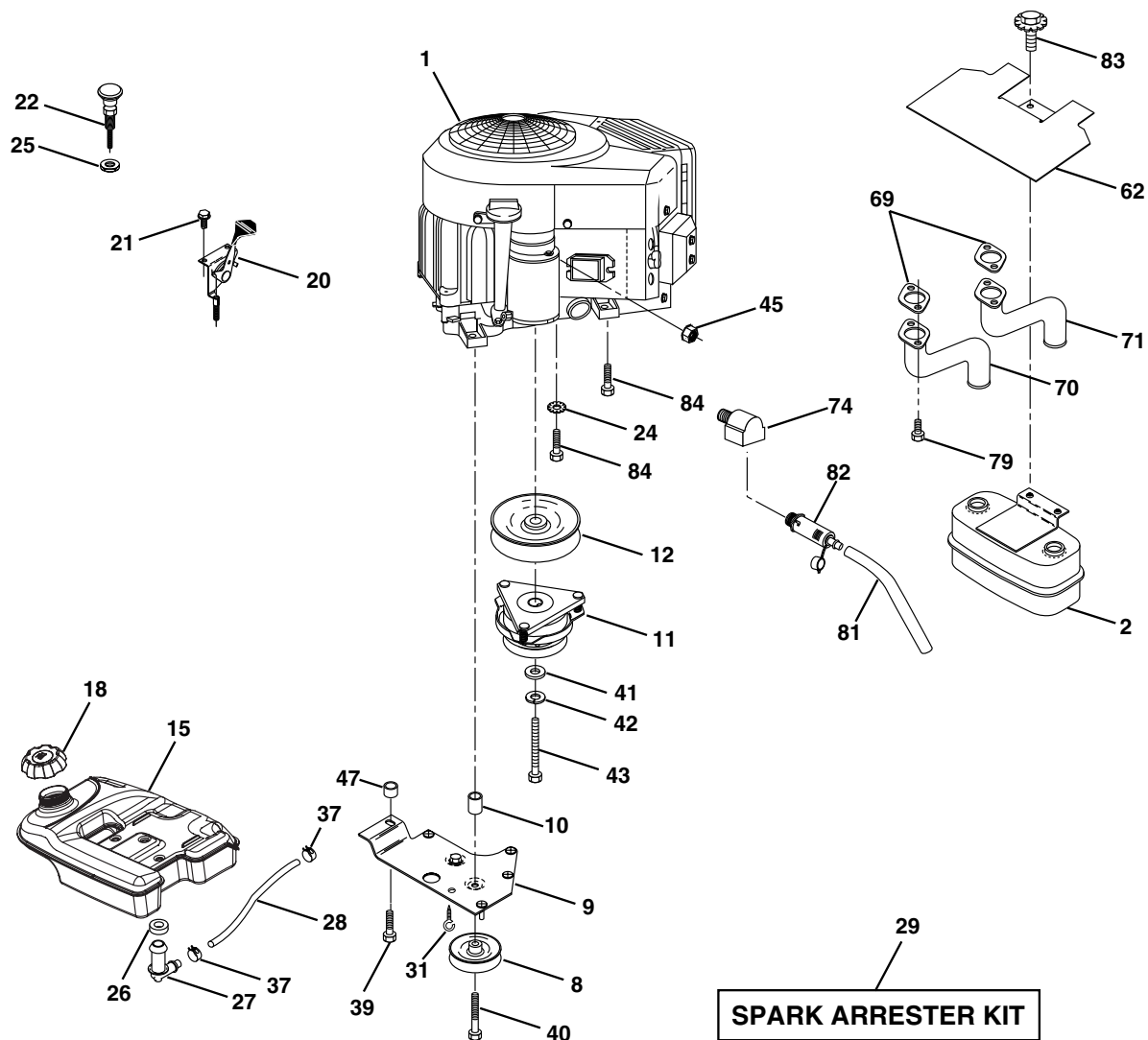
REPAIR PARTS**TRACTOR - MODEL NUMBER PDGT26H48A, PRODUCT NUMBER 954 56 95-30
STEERING ASSEMBLY**

KEY NO.	PART NO.	DESCRIPTION
1	180656	Wheel, Steering
2	178557	Axle Asm., Front
3	6855M	Fitting, Grease
4	161849	Spindle Asm, LH
5	161848	Spindle Asm., RH
6	6266H	Bearing, Race Thrust Harden
7	121748X	Washer 25/32 x 1-5/8 x 16 Ga.
8	12000029	Ring, Klip #T5304-75
9	121232X	Cap, Spindle
10	74781044	Bolt, Fin Hex 5/8-11 x 2-3/4
11	136518	Spacer, Brg. Axle Front
12	73901000	Nut, Lock Flange 5/8-11 Unc
13	121749X	Washer 25/32 x 1-1/4 x 16 Ga.
14	10040600	Washer, Lock Hvy Hlcl Spr 3/8
15	7810H	Nut Lock Center 3/8-24 Unf
16	145103	Shaft Asm., Steering
18	175572	Draglink, Ball Joint Solid Vgt
19	156011	Support Asm., Steering Vgt
20	163887X428	Boot Steering Stealth
21	159945	Adapter, Wheel Steering
22	155105	Bushing, Strg.
23	152927	Screw
25	74780616	Bolt, Fin Hex 3/8-16 x 1 Gr. 5
26	180657	Insert Cap Strg WH
27	3366R	Bearing, Col. Strg.
28	17000612	Screw Hexwsh thdr 3/8-16 x 3/4
29	104239X	Bearing, Flange
31	138136	Bushing, Nyliner Snap
32	19111610	Washer 11/32 x 1 x 10 Ga.
33	10040500	Washer, Lock Hvy Hlcl Spr 5/16
34	74780512	Bolt, Hex Hd 5/16-18 x 3/4
35	138059	Gear, Sector Steering
36	186799	Tie Rod
41	155246	Bracket Switch Interlock Vgt 97
42	17490508	Screw Thdrol 5/16-18 x 1/2 Tyt
44	160135X428	Extension Steering
45	19132411	Washer 13/32 x 1-1/2 x 11 Ga.
46	19131610	Washer 13/32 x 1 x 10 Ga.
47	179471	Bracket Asm. Idler Stationary
48	17060612	Screw 3/8-16 x .75
49	175820	Pulley Idler Flat
50	73900600	Nut Lock Flg. 3/8-16 Unc

NOTE: All component dimensions given in U.S. inches
1 inch = 25.4 mm

REPAIR PARTS

TRACTOR - MODEL NUMBER PDGT26H48A, PRODUCT NUMBER 954 56 95-30 ENGINE



SPARK ARRESTER KIT

engine-intek-ELS_10-vgt

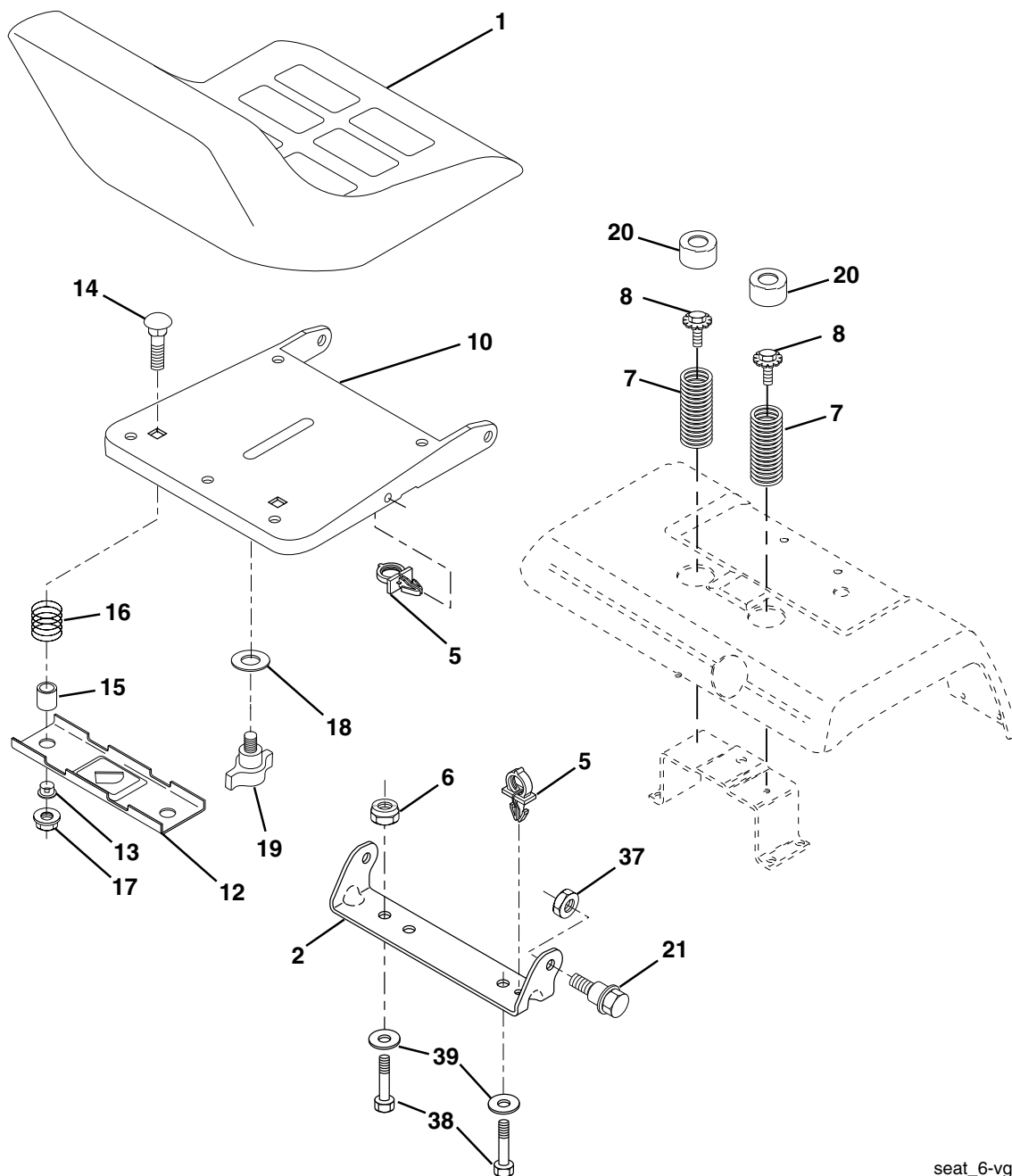
KEY NO.	PART NO.	DESCRIPTION
1	-----	Engine Briggs, Model No. 446777 (Order parts from engine manuf.)
2	149723	Muffler Side
8	121361X	Pulley V-Idler
9	177748	Keeper Asm. Belt Engine VGT
10	175287	Bushing
11	179335	Clutch Electric
12	143996	Pulley Engine VGT Elect Clutch
15	179115	Tank Fuel Rear 5.0
18	179124X428	Cap Asm. Fuel
20	175437X428	Control Throttle
21	171875	Screw HwHd Hi-Lo #13-16 x 3/4
22	175440X428	Control Choke
24	11050600	Washer Ext Tooth 3/8
25	73920600	Nut Keps 3/8-24 Unf
26	3645J	Bushing
27	139277	Stem Tank Fuel
28	7834R	Fuel Line
29	137180	Spark Arrester Kit
31	145006	Clip
35	10040500	Washer

KEY NO.	PART NO.	DESCRIPTION
37	123487X	Clamp Hose
39	17490636	Screw TT 3/8-16 x 2-1/4 Unc
40	17490664	Screw TT 3/8-16 x 4 Unc
41	126197X	Washer 1-1/2 OD x 15/32 ID x .250
42	10040700	Washer Lock 7/16
43	179953	Bolt Hex 7/16-20 x 3.75 Gr. 5
45	73510400	Nut Keps Hex 1/4-20
47	175288	Spacer
62	146629	Shield Heat Muffler CV-Intek
69	165391	Gasket
70	176069	Tube Exhaust LH
71	176070	Tube Exhaust RH
74	162295	Elbow Street Brass
79	71070512	Screw Hex Hd Cap 5/16-18 x 3/4
81	148456	Tube Drain Oil Easy
82	181654	Plug Oil Drain Easy
83	171877	Bolt 5/16-18 Unc x 1-3/4 W/Sems
84	17060624	Screw Thdrol 3/8-16 x 1-1/2

NOTE: All component dimensions given in U.S. inches
1 inch = 25.4 mm

REPAIR PARTS

TRACTOR - MODEL NUMBER PDGT26H48A, PRODUCT NUMBER 954 56 95-30
SEAT ASSEMBLY



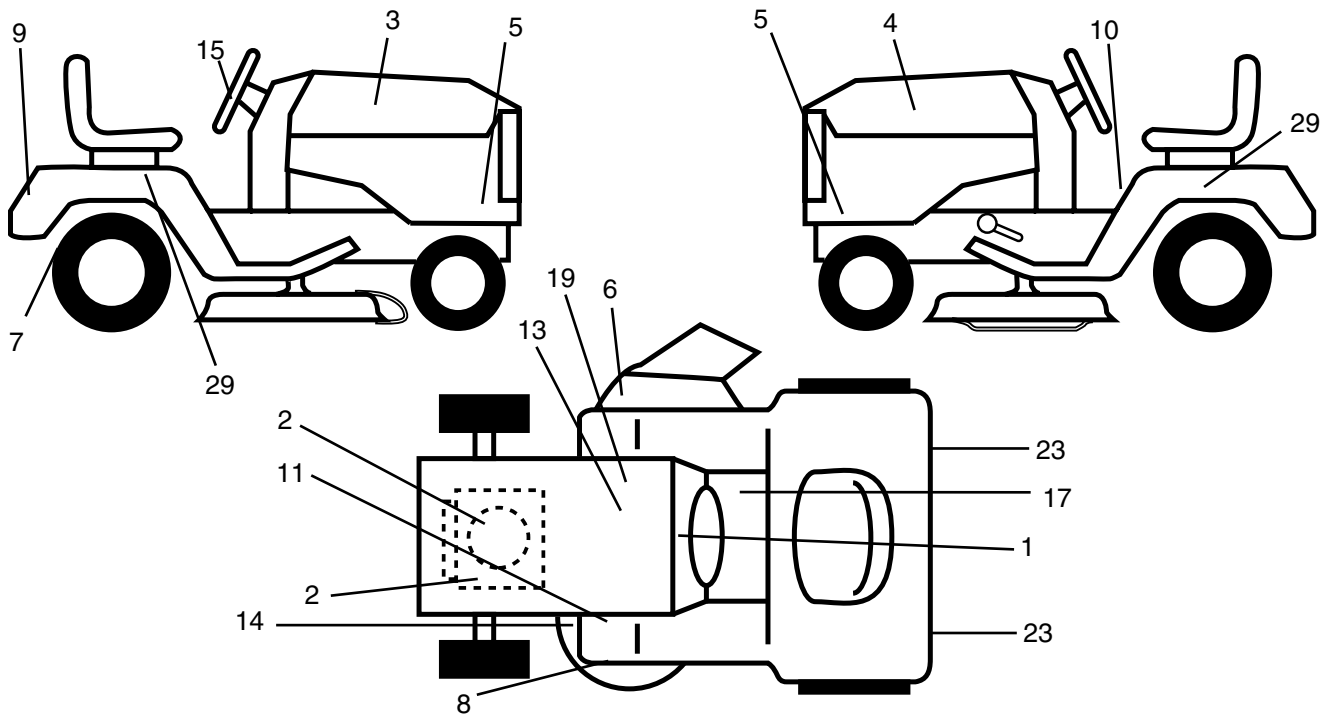
seat_6-vgt

KEY NO.	PART NO.	DESCRIPTION	KEY NO.	PART NO.	DESCRIPTION
1	171684	Seat	16	123740X	Spring, Cprsn.
2	140551	Bracket, Pivot Seat	17	123976X	Nut, Lock 1/4 Lg. Flg. Gr. 5
4	127018X	Bolt, Shoulder 5/16-18 x .62	18	19171912	Washer 17/32 x 1-3/16 x 12 Ga.
5	145006	Clip, Push-In Hinged	19	166369	Knob, Seat
6	73800600	Nut, Crownlock 3/8-16	20	124238X	Cap, Spring Seat Blk
7	124181X	Spring, Seat Cprsn.	21	171852	Bolt 5/16-18 Unc-2A
8	171877	Bolt 5/16-18 UNC x 3/4 w/Sems	22	73800500	Nut, Crownlock 5/16-18
10	182493	Pan, Seat	38	19131610	Washer Flat 13/32 x 1 x 10 Ga.
12	121246X	Bracket, Mounting Switch	39	71110616	Bolt 3/8-16 x 1
13	121248X	Bushing, Snap			
14	72050412	Bolt, Carriage 1/4-20 x 1-1/2			
15	121249X	Spacer, Split			

NOTE: All component dimensions given in U.S. inches
 1 inch = 25.4 mm

REPAIR PARTS

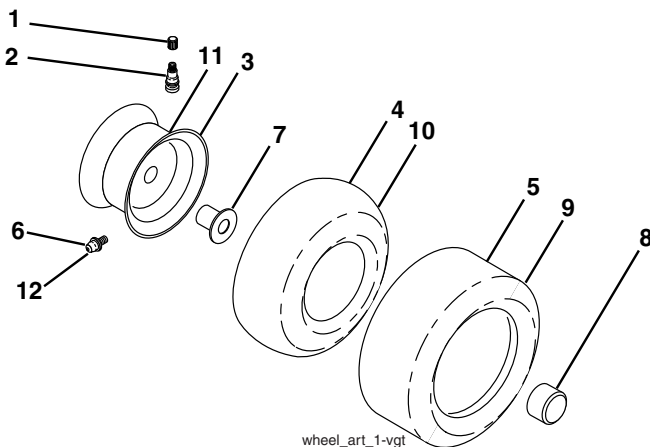
TRACTOR - MODEL NUMBER PDGT26H48A, PRODUCT NUMBER 954 56 95-30
DECALS



KEY NO.	PART NO.	DESCRIPTION
1	164097	Decal, Dash
2	185519	Decal, Engine
3	176272	Decal, Hood, RH
4	176273	Decal, Hood, LH
5	185539	Decal, Hood Sides
6	170563	Decal, Warning
7	166960	Decal, Bypass
8	178502	Decal, Deck Caution
9	172740	Decal
10	157140	Decal, Danger
11	181253	Ft. Rest

KEY NO.	PART NO.	DESCRIPTION
13	185443	Decal, Battery
14	175291	Decal, V-Belt Schematic
15	172743	Decal, Ins. Whl. Strg.
17	140837	Decal, Saddle Brake Parking
19	145005	Decal, Battery
23	106202X	Reflector, Taillight
29	176651	Decal, Fender Auto Trans
--	179769X428	Pad Footrest RH
--	179768X428	Pad Footrest LH
--	185109	Manual, Owner's (English)
--	185110	Manual, Owner's (French)

WHEELS & TIRES

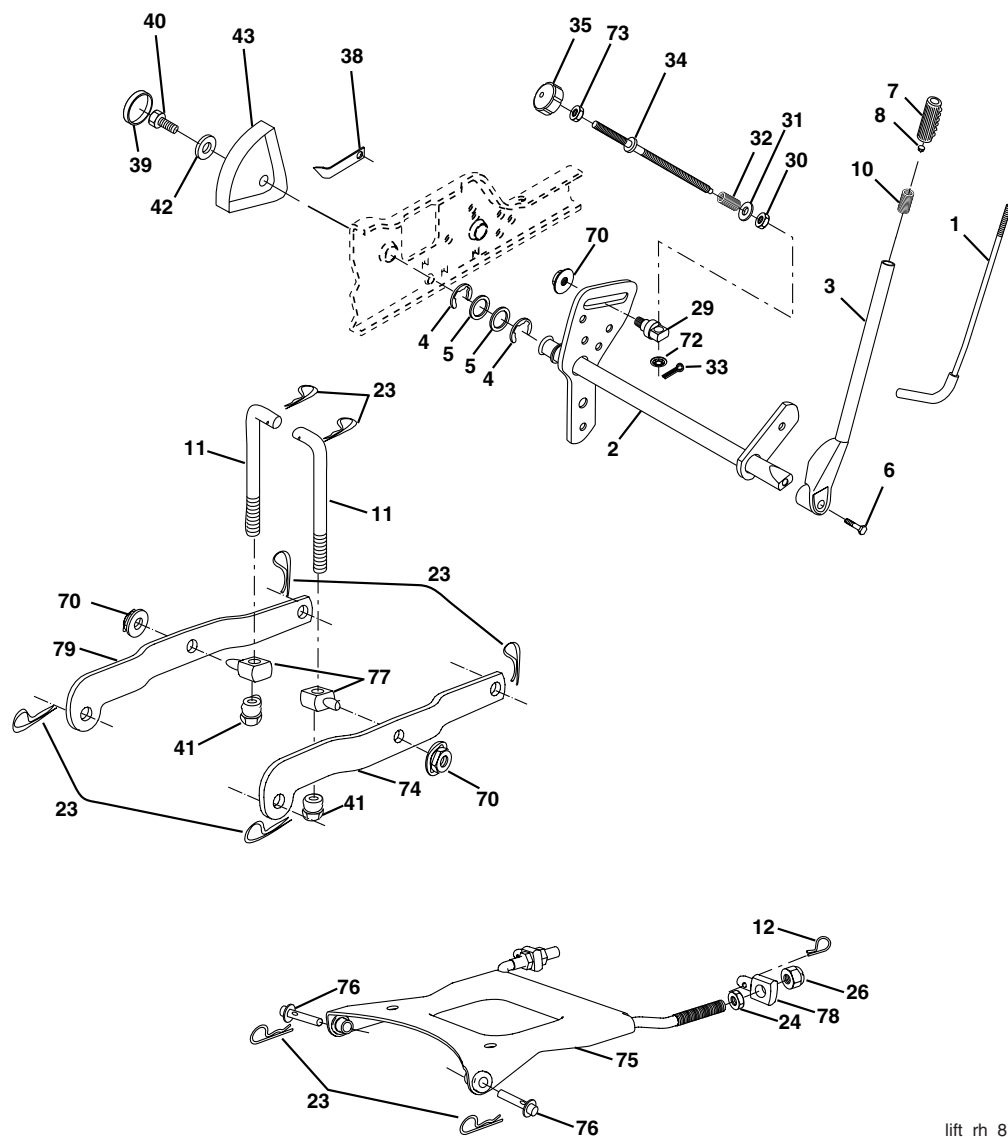


KEY NO.	PART NO.	DESCRIPTION
1	59192	Cap, Valve, Tire
2	65139	Stem, Valve
3	106228X421	Rim Assembly, Front
4	8134H	Tube, Front (Service Item Only)
5	161024	Tire, Front
6	278H	Fitting, Grease (Front Wheel nly)
7	9040H	Bearing, Flange (Front Wheel Only)
8	104757X421	Cap, Axle (Front Wheel Only)
9	170453	Tire, Rear
10	7154J	Tube, Rear (Service Item Only)
11	106277X421	Rim Assembly, Rear
12	6856M	Fitting, Grease
--	144334	Sealant, Tire (10 oz. Tube)

NOTE: All component dimensions given in U.S. inches
 1 inch = 25.4 mm

REPAIR PARTS

TRACTOR - MODEL NUMBER PDGT26H48A, PRODUCT NUMBER 954 56 95-30 LIFT ASSEMBLY



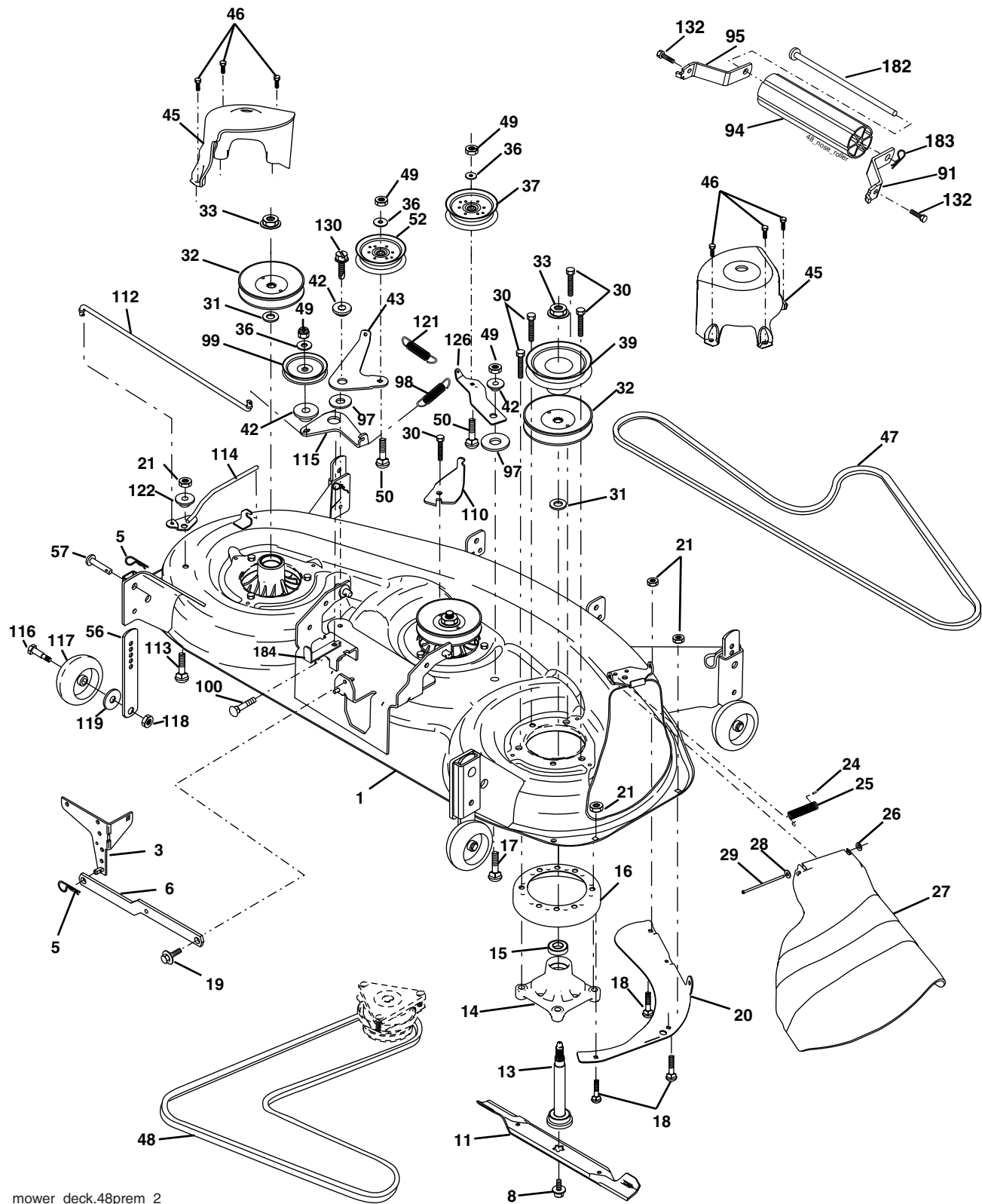
lift_rh_8

KEY NO.	PART NO.	DESCRIPTION	KEY NO.	PART NO.	DESCRIPTION
1	121006X	Rod Asm., Lever	34	137167	Rod, Adj Lift
2	180045	Shaft Asm., Lift Vgt	35	138057	Knob, Inf 3/8-16 Unc
3	159189	Lever Asm., Lift Rh	38	155097	Pointer, Height Indicator
4	1200022	E-Ring Truarc #5133-87	39	123935X	Plug, Hole
5	19292016	Washer 29/32 x 1-1/4 x 16 Ga.	40	17060516	Screw 5/16-18 x 3/4
6	71110624	Bolt, Fin Hex 3/8-16 x 1-1/2	41	175994	Nut, Lift Link 7/16-20
7	175830	Grip, Handle	42	19112410	Washer 11/32 x 1-1/2 x 10 Ga.
8	175831X421	Button, Plunger	43	123934X	Scale, Indicator Height
9	122364X	Plunger, Lever Lift	70	145212	Nut, Hexflange Lock
10	183894	Spring 0.62 OD x 2.125	72	110452X	Nut, Push Phos & Oil
11	175375	Link Lift	73	73350600	Nut Hex Jam 3/8-16 Unc
12	163552	Retainer, Spring	74	175802	Arm Susp. Rear RH
23	4939M	Retainer, Spring	75	175805	Plate Asm Susp. Front
24	73350800	Nut, Jam Hex 1/2-13 Unc	76	175560	Pin Flange
26	73680800	Nut, Crownlock 1/2-13 Unc	77	176205	Trunnion Susp. Arm
29	150233	Trunnion Inf. Height	78	175689	Trunnion Susp. Front
30	110807X	Nut, Special	79	175378	Arm Susp. Rear LH
31	19131016	Washer 13/32 x 5/8 x 16 Ga.			
32	137150	Spring, Compression Inf Hgt			
33	76020308	Pin, Cotter 3/32 x 1/2			

NOTE: All component dimensions given in U.S. inches
1 inch = 25.4 mm

REPAIR PARTS

TRACTOR - MODEL NUMBER PDGT26H48A, PRODUCT NUMBER 954 56 95-30
MOWER DECK



mower_deck.48prem_2

REPAIR PARTS**TRACTOR - MODEL NUMBER PDGT26H48A, PRODUCT NUMBER 954 56 95-30
MOWER DECK**

KEY NO.	PART NO.	DESCRIPTION	KEY NO.	PART NO.	DESCRIPTION
1	180358X421	Deck Weldment Mower 48	47	180808	V-Belt, Mower, Secondary
3	178915	Bracket Asm., Sway Bar	48	174368	V-Belt, Mower, Primary
5	4939M	Retainer Spring	49	73680600	Nut, Crownlock 3/8-16 Unc
6	178024	Sway Bar Deck	50	72110612	Bolt, Carr. 3/8-16 x 1-1/2 Gr. 5
8	174365	Bolt 7/16 Asm. Blade (The following blades are available)	52	175820	Pulley Idler Flat
11	173921	Blade, 48" Mulching (For mulching mowers only)	56	155986	Bar Pnt Adj.
--	180054	Blade, 48" Hi-Lift (For bagging and discharging)	57	156941	Pin Head Rivet
13	174360	Shaft Asm. w/Lower Bearing	91	180535	Bracket Asm N Roller RH
14	174358	Mandrel Asm.	94	176066	Roller Nose 48"
15	110485X	Bearing, Ball, Mandrel	95	180534	Bracket Asm N Roller LH
16	174493	Stripper Mandrel Deck	97	178515	Washer Hardened
17	72110610	Bolt RDHD Sq Neck 3/8-16 x 1.25	98	179479	Spring Primary Drive
18	72140505	Bolt, Carriage 5/16-18 x 5/8	99	184058	Pulley Idler"V"
19	132827	Bolt, Hex Hd, Shoulder 5/16-18	100	72110616	Bolt RDHD Sqnk 3/8-16 Unc x 2
20	174378	Baffle, Vortex Mower	110	175016	Arm Spring Secondary
21	73680500	Nut, Crownlock 5/16-18 Unc	112	174387	Link Tension Relief Lever
24	105304X	Cap, Sleeve	113	72110506	Bolt Carr. 5/16-18 x 3/4
25	178102	Spring, Torsion	114	174384	Tension Asm. Relief Lever
26	110452X	Nut, Push	115	174609	Arm Spring Tension Relief
27	180655X428	Deflector Shield	116	184219	Bolt, Shoulder
28	19111016	Washer 11/32 x 5/8 x 16 Ga.	117	174873	Gauge Wheel
29	131491	Rod, Hinge	118	73930600	Nut, Centerlock 3/8-16 Unc
30	173984	Screw, Thdroll Washer Head	119	19121414	Washer 3/8 x 7/8 x 14 Ga.
31	129963	Washer, Spacer Mower Vented	121	174371	Spring Secondary Drive
32	177865	Pulley, Mandrel	122	174606	Bushing Pivot Tension Relief
33	178342	Nut, Flg. Top Lock Cntr. 9/16	126	174372	Arm, Idler, Primary Deck
36	19131316	Washer 13/32 x 13/16 x 16 Ga.	130	17000616	Screw 3/8-16 x 1.0
37	177968	Pulley, Idler, Flat	132	17000612	Screw 3/8-16 x .75
39	174375	Pulley, Idler, Driven	182	179127	Rod Roller Nose
42	122052X	Spacer, Retainer	183	163552	Retainer Spring
43	174373	Arm, Idler Secondary	184	173979	Keeper Belt Idler
45	180806	Cover, Mandrel Deck	--	180939	Replacement Mower, Complete
46	137729	Screw, Thdroll. 1/4-20 x 5/8	--	174356	Mandrel Asm. Service (Includes Key Nos. 13-15 and 33)

NOTE: All component dimensions given in U.S. inches
1 inch = 25.4 mm