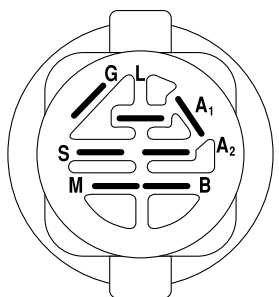
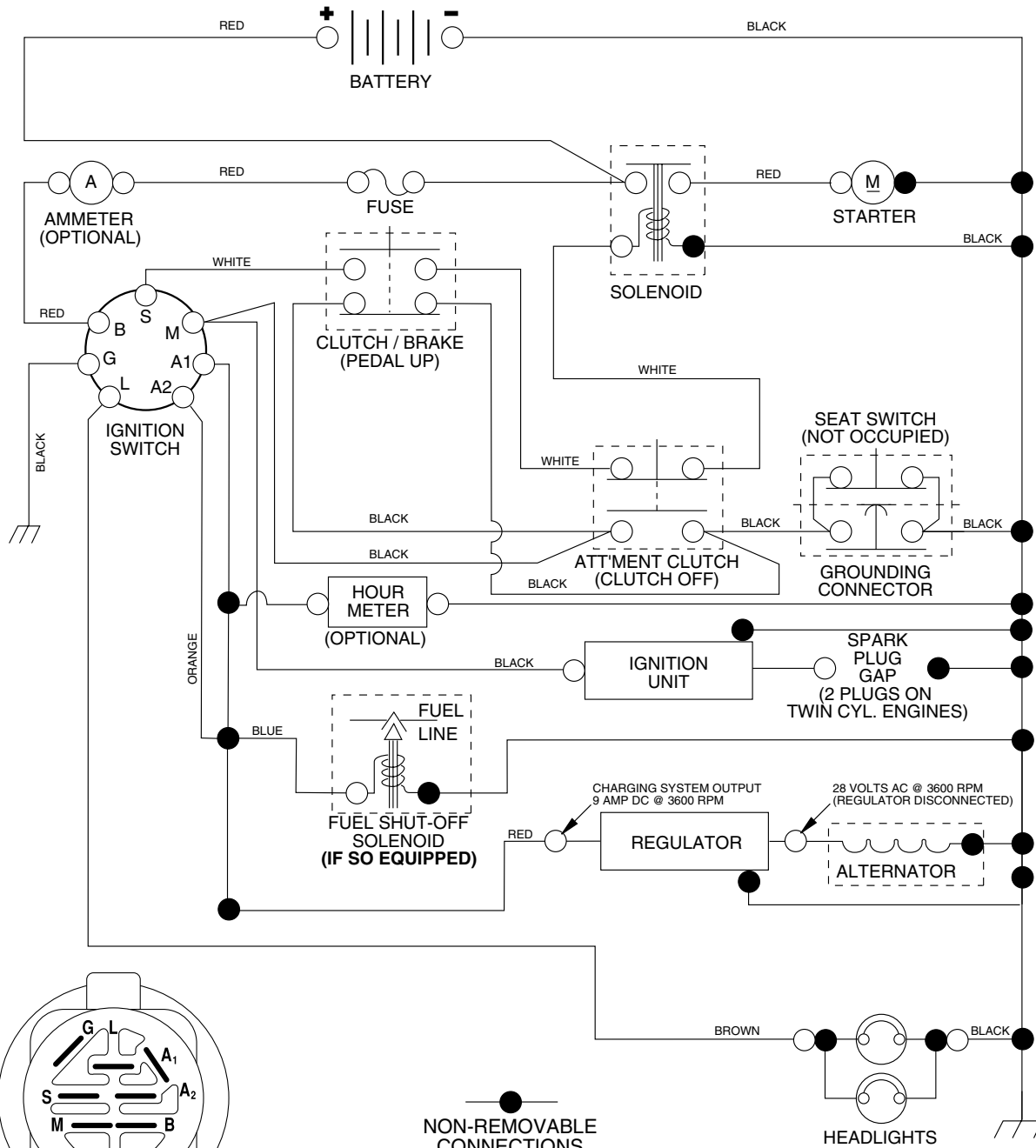


REPAIR PARTS

TRACTOR - - MODEL NUMBER PDB1842STA

SCHEMATIC



IGNITION SWITCH

POSITION	CIRCUIT	"MAKE"
OFF	M+G+A1	NONE
RUN/LIGHT	B+A1	A2+L
RUN	B+A1	NONE
START	B + S + A1	NONE

●
NON-REMOVABLE CONNECTIONS

○
REMOVABLE CONNECTIONS

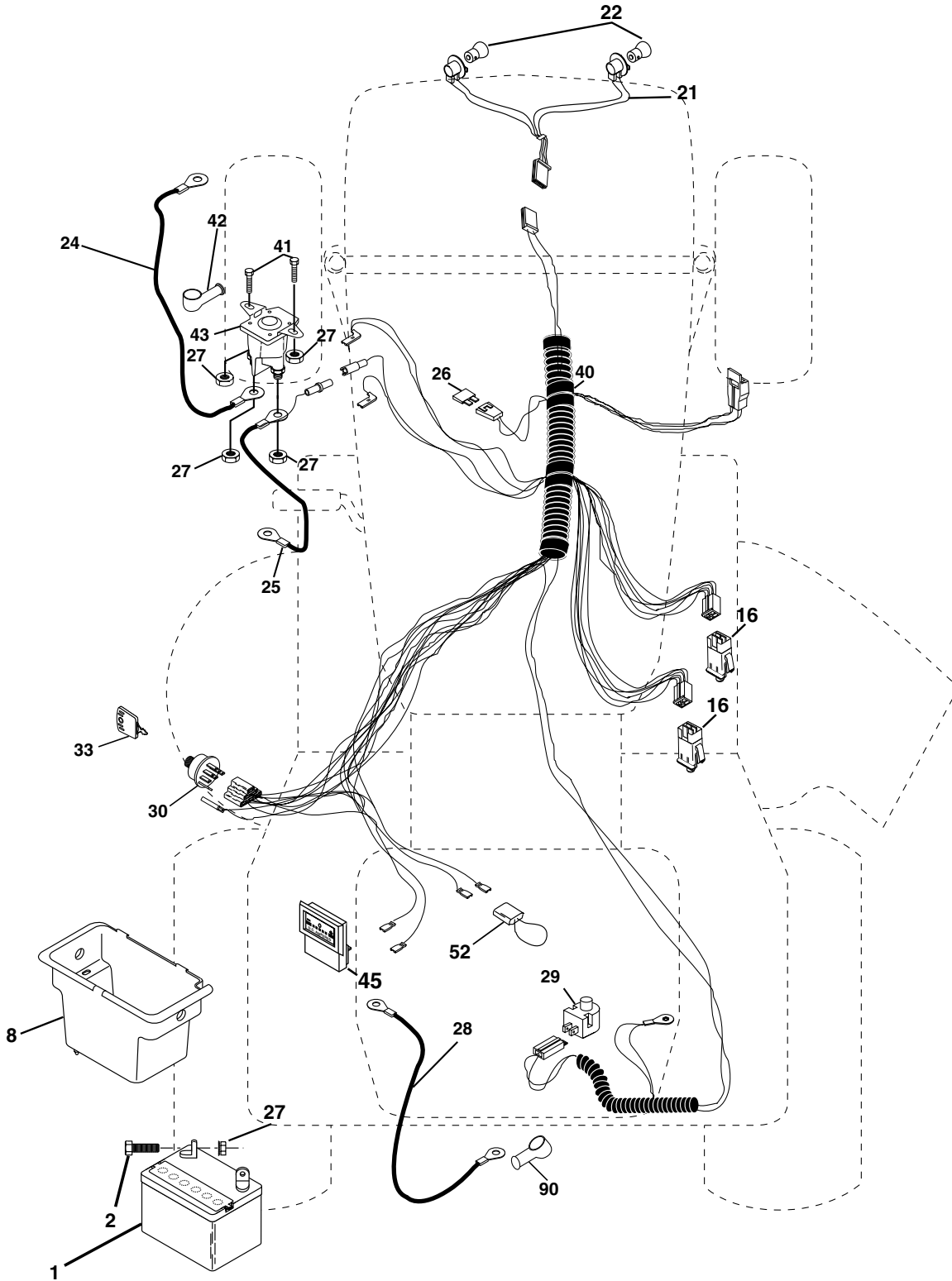
WIRING INSULATED CLIPS

NOTE: IF WIRING INSULATED CLIPS WERE REMOVED FOR SERVICING OF UNIT, THEY SHOULD BE REPLACED TO PROPERLY SECURE YOUR WIRING.

REPAIR PARTS

TRACTOR -- MODEL NUMBER PDB1842STA

ELECTRICAL



REPAIR PARTS

TRACTOR - - MODEL NUMBER PDB1842STA

ELECTRICAL

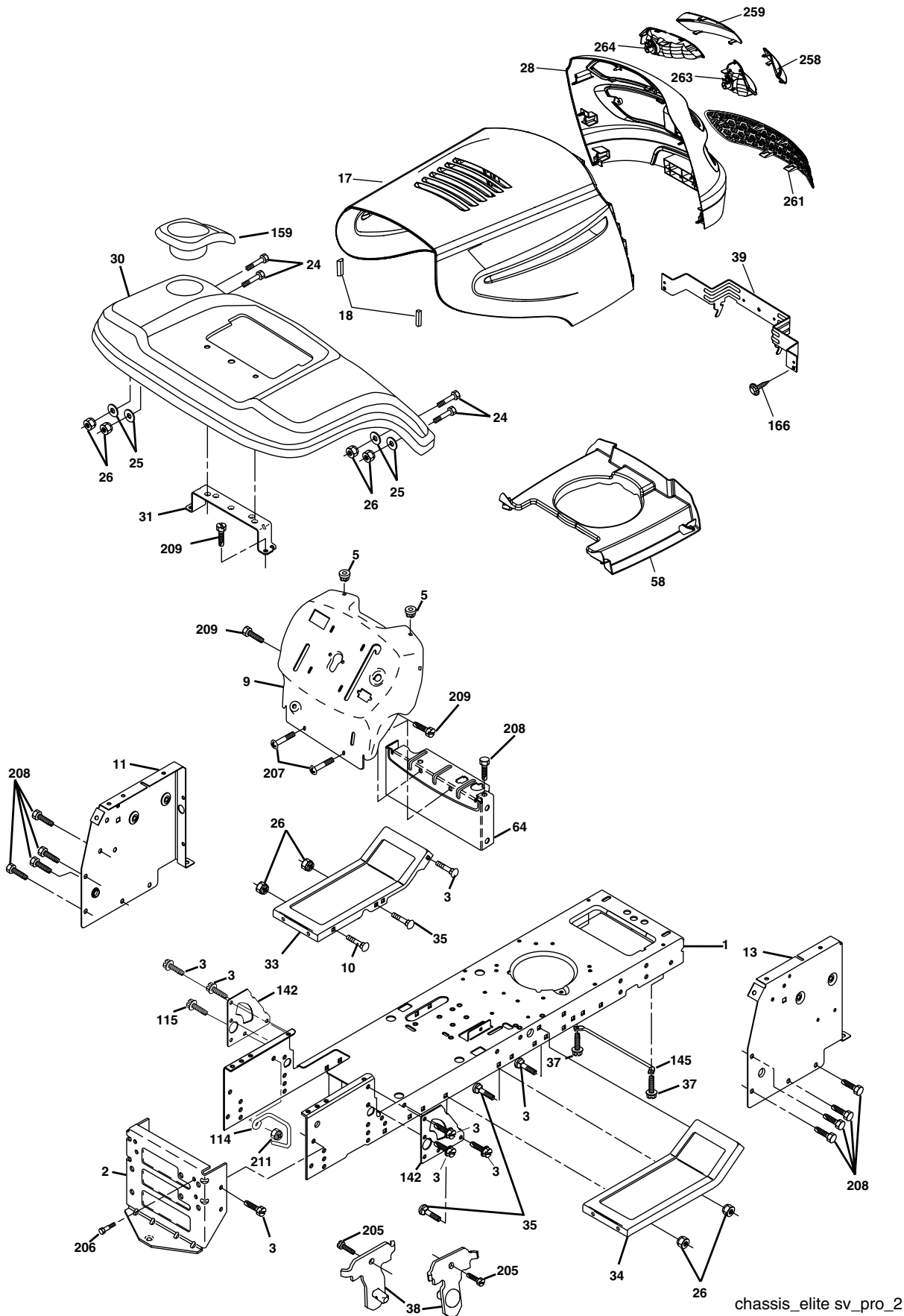
KEY NO.	PART NO.	DESCRIPTION
1	163465	Battery 12 Volt 25 Amp
2	74760412	Bolt Hex Hd 1/4-20 Unc x 3/4
8	176689	Box Battery
16	176137	Switch Interlock
21	183759	Harness Asm Light W/4152J
22	4152J	Bulb Light #1156
24	4799J	Cable Battery 6 Ga 11"red
25	146147	Cable Battery 6 Ga w/16 wire,red
26	175158	Fuse 20 AMP
27	73510400	Nut Keps Hex 1/4-20 Unc
28	4207J	Cable Ground 6 Ga 12" black
29	121305X	Switch Plunger
30	175566	Switch Ign
33	140401	Key Ign
40	179720	Harness Ign
41	71110408	Bolt Blk Fin Hex 1/4-20 x 1/2
42	131563	Cover Terminal Red
43	178861	Solenoid
45	122822X	Ammeter
52	141940	Protection Wire Loop
90	180449	Cover Terminal

NOTE: All component dimensions give in U.S. inches
1 inch = 25.4 mm.

REPAIR PARTS

TRACTOR -- MODEL NUMBER PDB1842STA

CHASSIS AND ENCLOSURES



REPAIR PARTS**TRACTOR - - MODEL NUMBER PDB1842STA****CHASSIS AND ENCLOSURES**

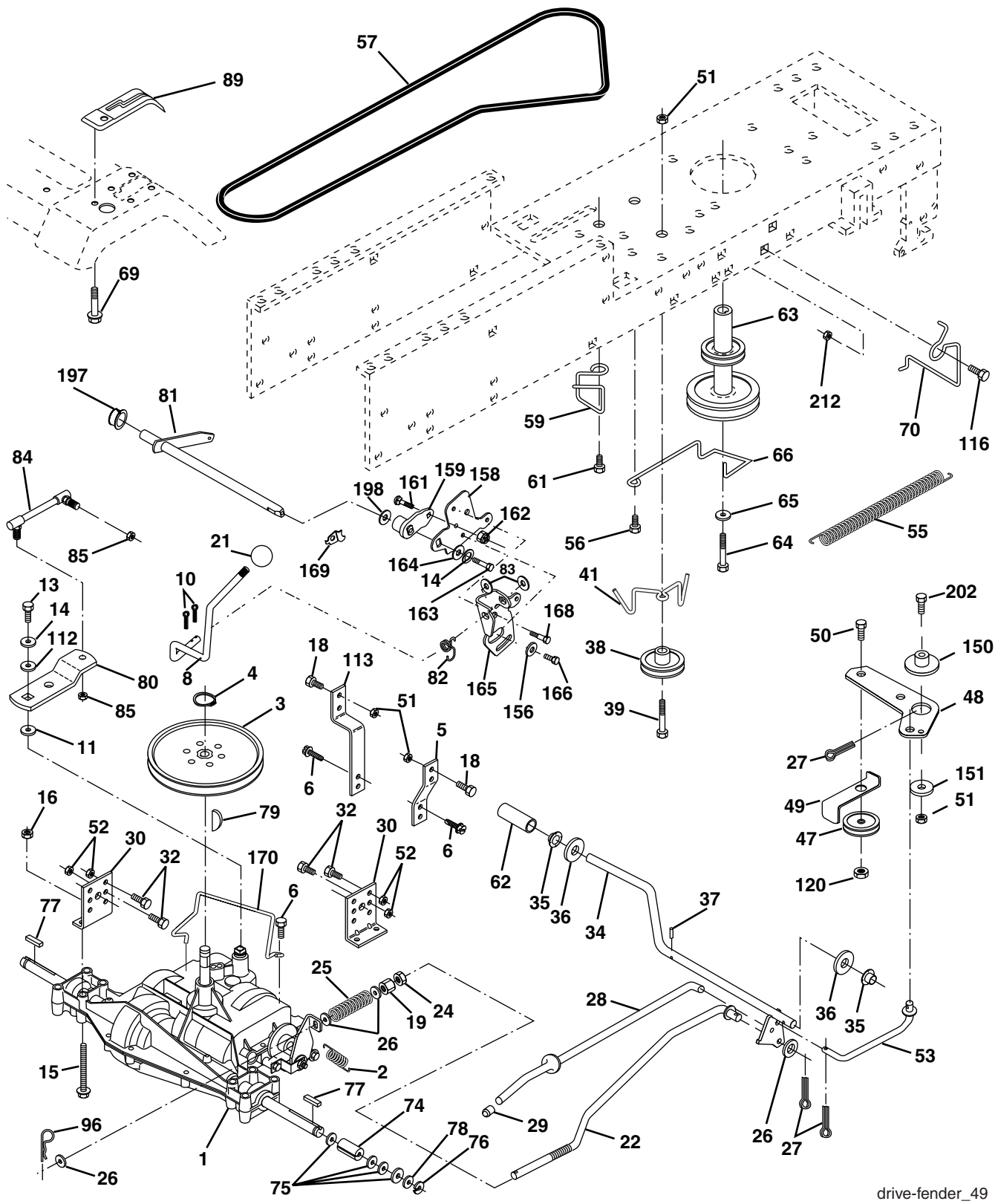
KEY NO.	PART NO.	DESCRIPTION
1	174619	Chassis
2	176554	Drawbar
3	17060612	Screw 3/8-16 x 3/4
5	155272	Bumper Hood/Dash
9	168337X012	Dash
10	72140608	Bolt RdHd Sqnk. 3/8-16 Unc x 1
11	174996	Panel Asm. Dash Lh
13	175255	Panel Dash Rh
17	183393X428	Hood
18	126938X	Bumper Hood
24	74780616	Bolt Fin Hex 3/8-16 Unc x 1 Gr. 5
25	19131312	Washer 13/32 x 13/16 x 12 Ga.
26	73800600	Nut Lock Hex w/Insert 3/8-16 Unc
28	183828	Grill/Lens Asm
30	169470X428	Fender Asm
31	136619	Bracket Fender
33	179716X428	Footrest LH
34	179717X428	Footrest RH
35	72110606	Bolt RdHd Sht. Sqnk. 3/8-16 x 3/4
37	17490508	Screw Thdrol 5/16-18 x 1/2 Tyt
38	175710	Bracket Asm. Pivot Mower Rear
39	174714	Bracket Pivot
58	184322	Air Duct
64	154798	Dash Lower
114	158112	Keeper Belt Rear LH
115	17490620	Screw Thdrol 3/8-16 x 1-1/4
142	175702	Plate Reinforcement
145	156524	Rod Pivot Chassis/Hood
159	169473X428	Cupholder
166	171875	Screw #13-16 x 3/4
205	17490608	Screw Thdrol 3/8-16 x 1/2
206	170165	Bolt shoulder 5/16-18
207	17670508	Screw Thdrol 5/16-18 x 1/2
208	17670608	Screw Thdrol 3/8-16 x 1/2
209	17000612	Screw 3/8-16 x 3/4
211	145212	Nut Hexflange Lock
258	183835X599	Lens Grille RH
259	183834X599	Lens Grille LH
261	183829X428	Insert Grille
263	183832	Bezel Grille LH
264	183833	Bezel Grille RH
--	5479J	Plug Btn Blk

NOTE: All component dimensions given in U.S. inches
1 inch = 25.4 mm

REPAIR PARTS

TRACTOR -- MODEL NUMBER PDB1842STA

DRIVE



drive-fender_49

REPAIR PARTS**TRACTOR - - MODEL NUMBER PDB1842STA****DRIVE**

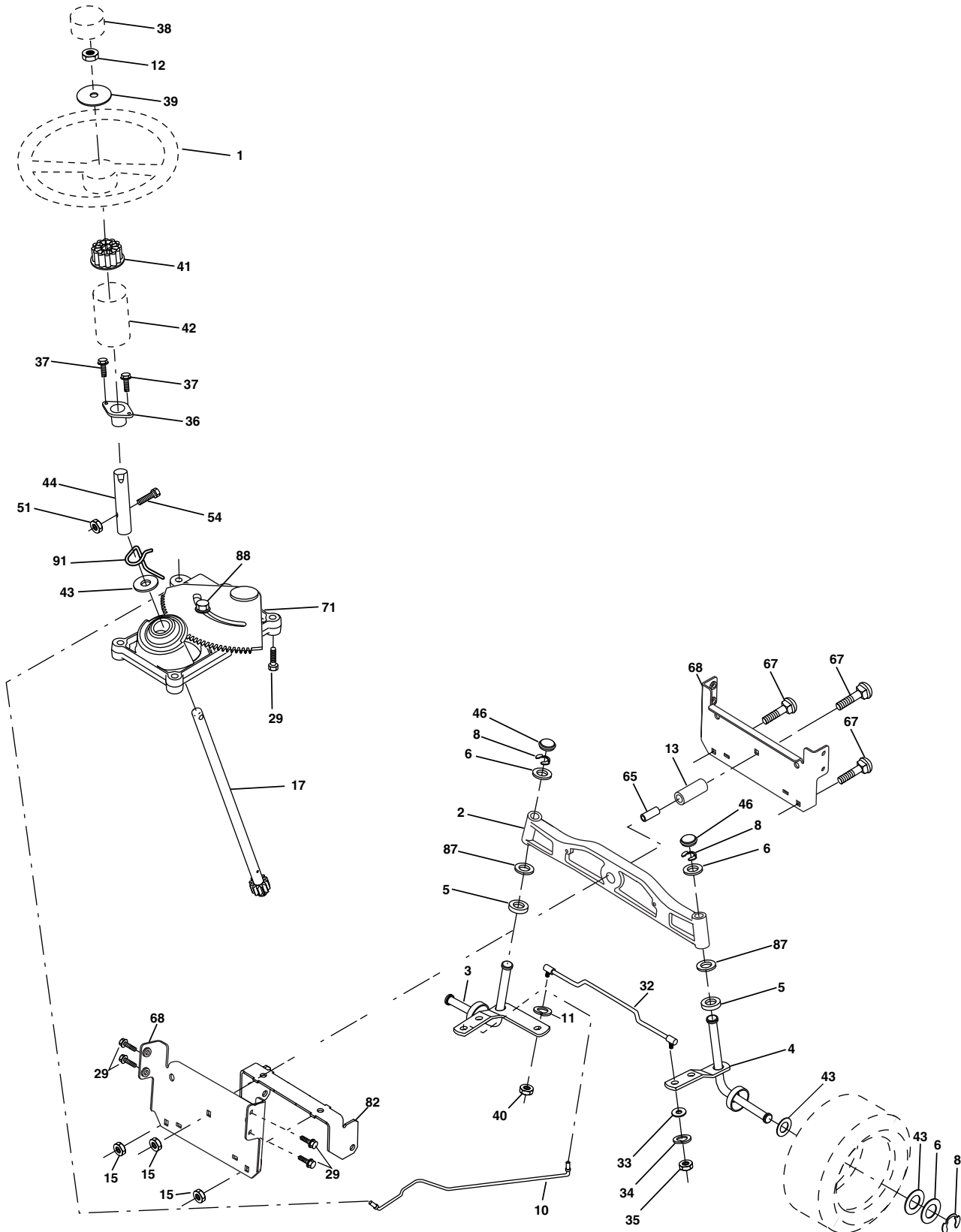
KEY NO.	PART NO.	DESCRIPTION	KEY NO.	PART NO.	DESCRIPTION
1	-----	Transaxle Peerless (206-545C) (Order parts from transaxle manufacturer)	63	175410	Engine Pulley
2	146682	Spring Return Brake T/a Zinc	64	173937	Bolt Hex
3	123666X	Pulley Transaxle 18" tires	65	10040700	Washer Lock Hvy Hlcl Spr 7/16
4	1200028	Ring Retainer # 5100-62	66	154778	Keeper Belt Engine Foolproof
5	121520X	Strap Torque 30 Degrees	69	142432	Screw Hex wsh Hi Lo 1/4 x 1/2 Unc
6	17060512	Screw 5/16-18 x 3/4	70	134683	Guide Belt Mower Drive RH
8	165619	Rod Shift Fender Adjust Lt	74	137057	Spacer Axle
10	76020416	Pin Cotter 1/8 x 1 Cad	75	121749X	Washer 25/32 x 1 1/4 x 16 Ga
11	105701X	Washer Plate Shf 388 Sq Hole	76	12000001	E-ring #5133-75
13	74550412	Bolt 1/4-28 Unf Gr 8 W/Patch	77	123583X	Key Square 2 0 x 1845/ 1865
14	10040400	Washer Lock Hvy Helical	78	121748X	Washer 25/32 x 1-5/8 x 16 Ga
15	74490544	Bolt Hex Flghd 5/16-18 Gr. 5	79	2228M	Key Woodruff #9 3/16 x 3/4
16	73800500	Nut Lock Hex w/ins 5/16-18	80	145090	Arm Shift
18	74780616	Bolt, Fin Hex 3/8-16 Unc x 1 Gr. 5	81	165592	Shaft Asm Cross Tapered PMST/ 20
19	73800600	Nut Lock 3/8-16 Unc	82	123782X	Spring Torsion T/a
21	140845	Knob	83	19171216	Washer 17/32 x 3/4 x 16 Ga
22	130804	Rod Brake Blk Zinc 26 840	84	166231	Link Transaxle PMST/20" Zinc
24	73350600	Nut Hex Jam 3/8-16 Unc	85	150360	Nut Lock Center 1/4 - 28 FNTHD
25	106888X	Spring Rod Brake 2 00 Zinc	89	169372X428	Console Shift STLT
26	19131316	Washer 13/32 x 13/16 x 16 Ga	96	4497H	Retainer Spring 1"
27	76020412	Pin Cotter 1/8 x 3/4 Cad	112	19091210	Washer 9/32 x 3/4 x 10 Ga.
28	175765	Rod Brake Parking LT/YT	113	127285X	Strap Torque LT
29	71673	Cap Brake Parking	116	72140608	Bolt Rdhd Sq Neck 3/8-16 x 1
30	169592	Bracket Mtg Transaxle	120	73900600	Nut Lock Fig. 3/8-16 Unc
32	74760512	Bolt Hex Hd 5/16-18 Unc x 3/4	150	175456	Spacer Retainer
34	175578	Shaft Asm Pedal Foot	151	19133210	Washer 13/32 x 2 x 10
35	120183X	Bearing Nylon Blk 629 Id	156	166002	Washer Srrted 5/16 ID x 1.125
36	19211616	Washer 21/32 x 1 x 16 Ga	158	165589	Bracket Shift Mount
37	1572H	Pin Roll 3/16 x 1"	159	183900	Hub Shift
38	179114	Pulley Composite Flat	161	72140406	Bolt Rdhd Sqnk 1/4-20 x 3/4 Gr
39	74760648	Bolt Fin Hex 3/8-16 Unc x 3	162	73680400	Nut Crownlock 1/4-20 Unc
41	175556	Keeper Belt Flat Idler	163	74780416	Bolt Hex Fin 1/4-20 Unc x 1 Gr 5
47	127783	Pulley Idler V Groove Plastic	164	19091010	Washer 5/8 x .281 x 10 Ga
48	154407	Bellcrank Asm	165	165623	Bracket Pivot Lever
49	123205X	Retainer Belt Style Spring	166	166880	Screw 5/16-18 x 5/8
50	72110612	Bolt Hex Hd 3/8-16 Unc x 1-1/2	168	165492	Bolt Shoulder 5/16-18 x .561
51	73680600	Nut Crownlock 3/8-16 Unc	169	165580	Plate Fastening
52	73680500	Nut Crownlock 5/16-18 Unc	170	178394	Keeper Belt Transaxle Gear
53	105710X	Link Clutch	197	169613	Nyliner Snap-In
55	105709X	Spring Return Clutch 6 75	198	169593	Washer Nyliner
56	17060620	Screw 3/8-16 x 1-1/4	202	72110614	Bolt Carr Sh 3/8-16 x 1-3/4 Gr. 5
57	130801	V-Belt Ground Drive 95 25	212	145212	Nut Hexflange Lock
59	169691	Keeper Belt Span Ctr			
61	17120614	Screw 3/8-16 x .875			
62	8883R	Cover Pedal Blk Round			

NOTE: All component dimensions given in U.S. inches
1 inch = 25.4 mm

REPAIR PARTS

TRACTOR - - MODEL NUMBER PDB1842STA

STEERING ASSEMBLY



steering_pl.lt_29

REPAIR PARTS**TRACTOR - - MODEL NUMBER PDB1842STA****STEERING ASSEMBLY**

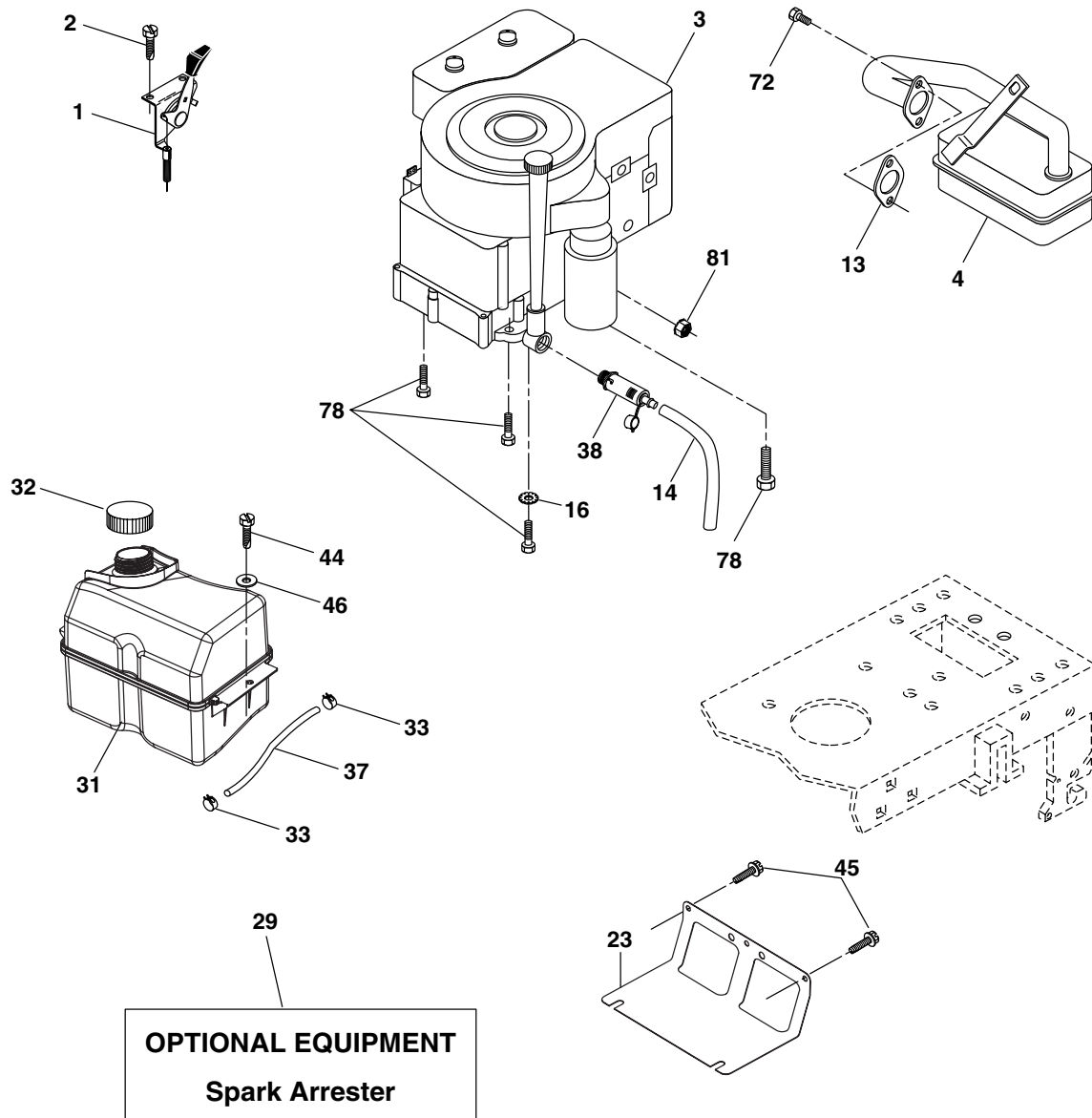
KEY NO.	PART NO.	DESCRIPTION
1	180656	Wheel Steering
2	184706	Axle Asm Front
3	169840	Spindle Asm Lh
4	169839	Spindle Asm Rh
5	6266H	Bearing Race Thrust Harden
6	121748X	Washer 25/32 x 1 5/8 x 16ga
8	12000029	Ring Klip #t5304-75
10	175121	Link Drag Extended
11	10040600	Lockwasher
12	73940800	Nut Hex Jam Toplock 1/2-20 Unf
13	136518	Spacer Bearing Axle Front
15	145212	Hex Flange Lock
17	180641	Shaft Asm Strg
29	17060612	Screw 3/8-16x3/4
32	171888	Rod Tie
33	19111216	Washer 11/32 x 3/4 x 16 Ga.
34	10040500	Washer lock 5/16
35	73540500	Nut Crownlock 5/16-24
36	155099	Bushing Strg 5/8 Id Dash
37	152927	Screw TT #10-32 x 5 x 3/8 Flange
38	180657	Insert Cap Strg
39	19182411	Washer 9/16 ID x 1-1/2 OD 11 Gr
40	7810H	Locknut Center
41	159945	Adaptor Wheel Strg
42	145054X428	Boot Dash Steering
43	121749X	Washer 25/32 x 1 1/4 x 16 Ga
44	180640	Extension Steering
46	121232X	Cap Spindle Fr Top Blk
51	73540400	Nut Crownlock 1/4-28
54	71130420	Bolt Hex 1/4-28 Unf x 1-1/4 Gr. 8
65	160367	Spacer Brace Axle
67	72140618	Bolt Rdhd Sq 3/8-16 Unc x 2-3/4
68	169827	Brace Axle
71	175146	Steering Asm
82	169835	Bracket Susp Chassis Front
87	173966	Washer Flat
88	175118	Bolt Shoulder 7/16-20
91	175553	Clip Steering

NOTE: All component dimensions given in U.S. inches
1 inch = 25.4 mm

REPAIR PARTS

TRACTOR -- MODEL NUMBER PDB1842STA

ENGINE



OPTIONAL EQUIPMENT
Spark Arrester

engine-bs.1cyl_48

REPAIR PARTS

TRACTOR - - MODEL NUMBER PDB1842STA

ENGINE

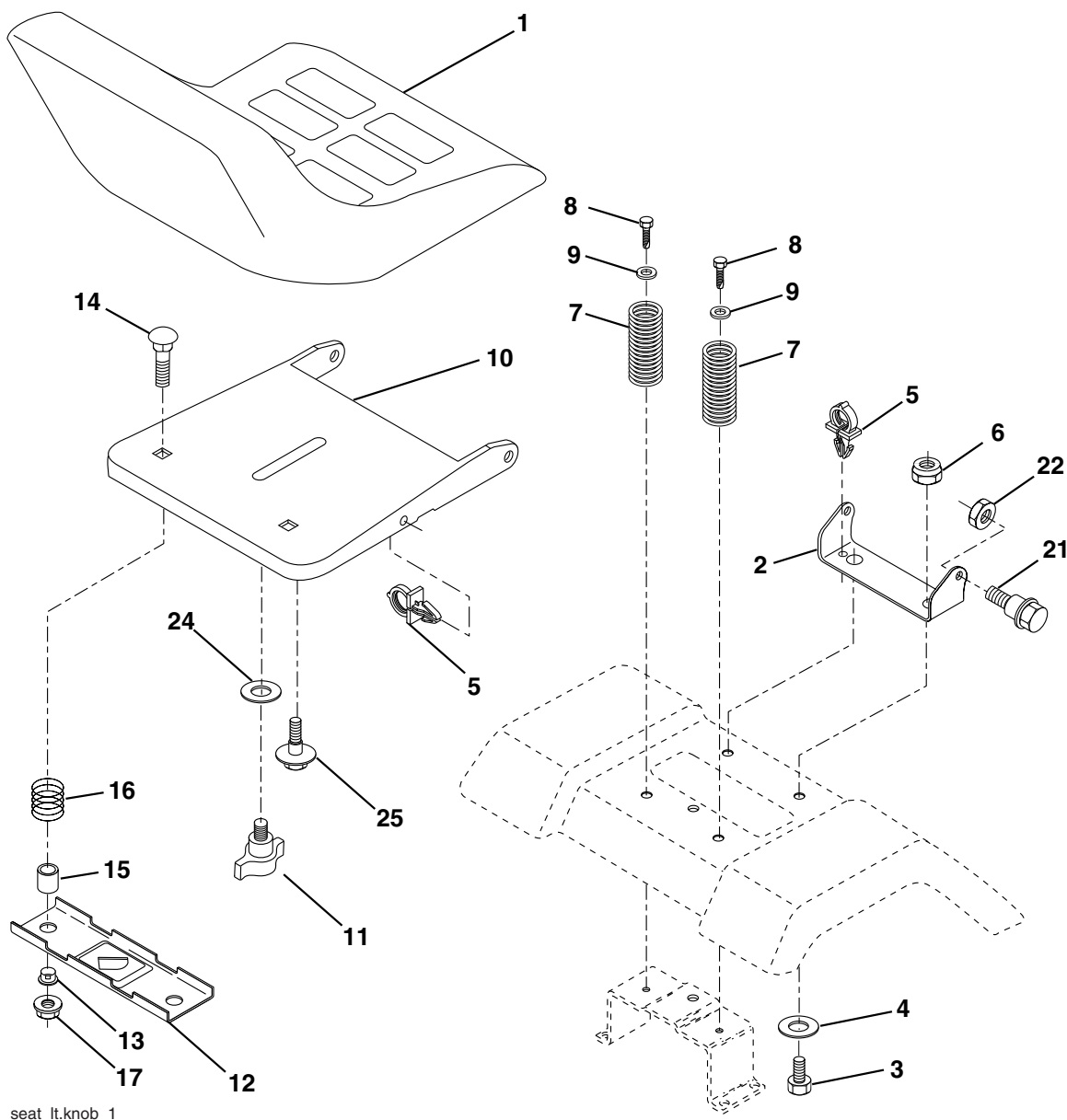
KEY NO.	PART NO.	DESCRIPTION
1	170551	Control Throt /Ch Flag
2	17720408	Screw Hex Thd Cut 1/4-20 x 1/2
3	-----	Engine B&S Model 31M777 (Order Parts From Engine Manufacturer)
4	137352	Muffler Exhaust
13	165291	Gasket
14	148456	Tube Drain Oil Easy
16	11050600	Washer Lock Ext Tooth 3/8
23	169837	Shield Browning/Debris Guard
29	137180	Arrestor Spark
31	185534	Tank Fuel
32	140527	Cap Asm Fuel W/sym Vented
33	123487X	Clamp Hose Blk
37	137040	Line Fuel 20"
38	181654	Plug Drain Oil Easy
44	17670412	Screw Hexwsh Thdrol 1/4-20 x 3/4
45	17000612	Screw Hex Wsh Thdrol 3/8-16
46	19091416	Washer 9/32 x 7/8 x 16ga
72	183906	Screw Socket Head 5/16-18 x 1
78	17060620	Screw 3/8-16 x 1-1/4
81	73510400	Keps Nut Hex 1/4-20

NOTE: All component dimensions given in U.S. inches
1 inch = 25.4 mm

REPAIR PARTS

TRACTOR - - MODEL NUMBER PDB1842STA

SEAT ASSEMBLY



seat_lt.knob_1

KEY NO.	PART NO.	DESCRIPTION
1	171683	Seat
2	140551	Bracket Pnt Pivot Seat (blk)
3	71110616	Bolt
4	19131610	Washer 13/32 x 1 x 10 Ga
5	145006	Clip Push-In Hinged
6	73800600	Nut
7	124181X	Spring Seat Cprsn 2 250 Blk Zi
8	17000616	Screw 3/8-16 x 1.5
9	19131614	Washer 13/32 x 1 x 14 Ga
10	182493	Pan Pnt Seat (blk)
11	166369	Knob
12	121246X	Bracket Pnt Mounting Switch

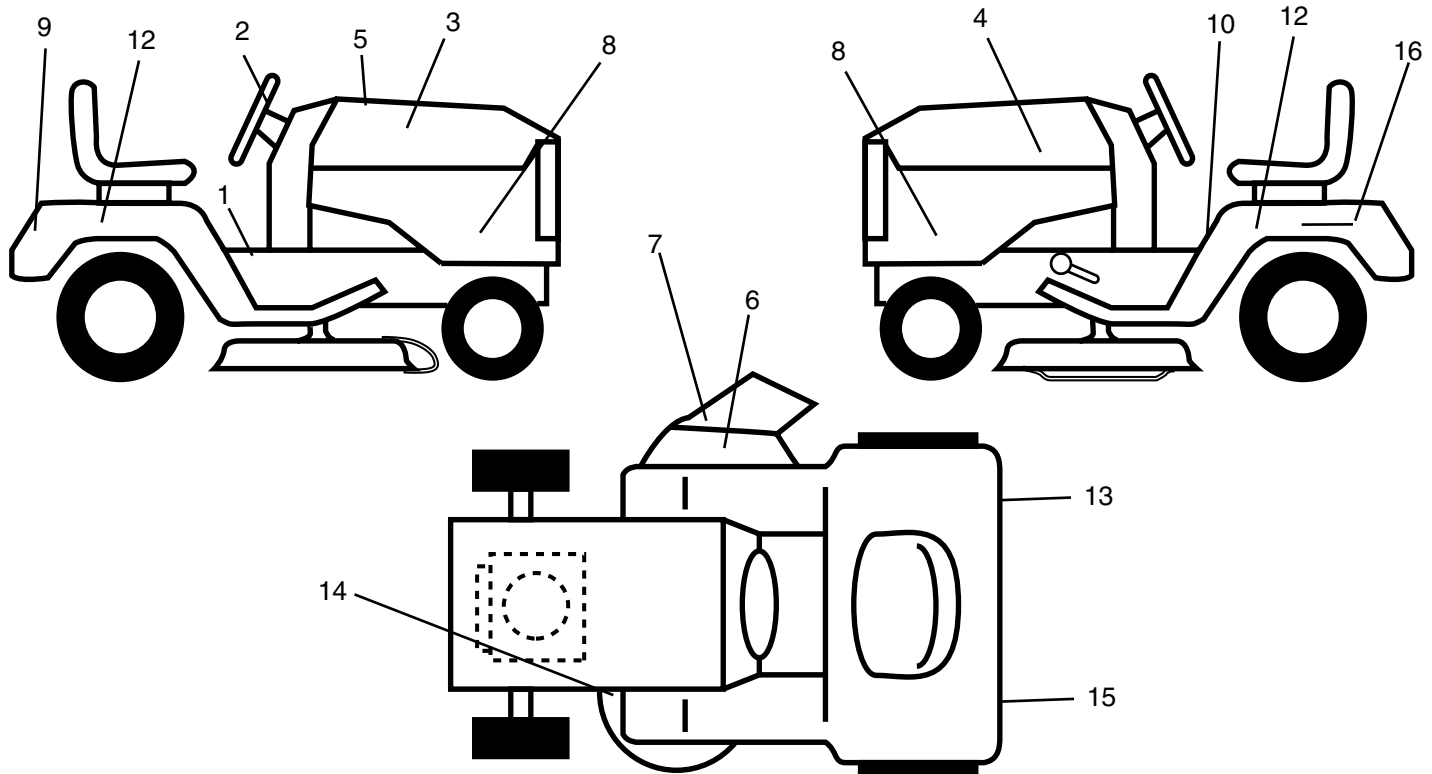
KEY NO.	PART NO.	DESCRIPTION
13	121248X	Bushing Snap Blk Nyl 50 Id
14	72050412	Bolt Rdhd Sht Nk 1/4-20 x 1-1/2
15	134300	Spacer Split 28 x 96 Yel Zinc
16	121250X	Spring Cprsn 1 27 Blk Pnt
17	123976X	Nut Lock 1/4 Lge Flg Gr 5 Zinc
21	171852	Bolt Shoulder 5/16-18 Unc Blkz-2A
22	73800500	Nut
24	19171912	Washer 17/32 x 1-3/16 x 12 Ga
25	127018X	Bolt Shoulder 5/16-18 x 62

NOTE: All component dimensions given in U.S. inches
1 inch = 25.4 mm

REPAIR PARTS

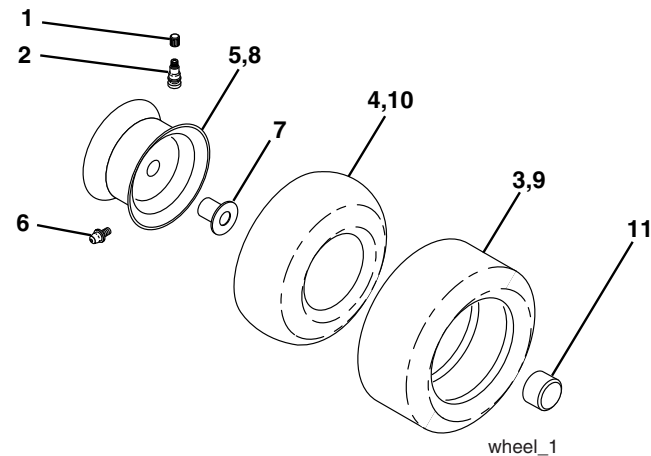
TRACTOR -- MODEL NUMBER PDB1842STA

DECALS



KEY NO.	PART NO.	DESCRIPTION	KEY NO.	PART NO.	DESCRIPTION
1	156369	Decal Instruction Operat English/French	12	176305	Decal Fender
2	172743	Decal Ins Strg Wh	13	173589	Decal Reflector LH
3	186163	Decal Hood Rh	14	160396	Decal V-belt Schematic 42"
4	186164	Decal Hood Lh	15	173587	Decal Reflector RH
5	186785	Decal Replacement	16	145005	Decal Battery Danger/Poison
6	170563	Decal Warning	--	179769X428	Pad Footrest RH
7	179128	Decal Deck "B" 42"	--	179768X428	Pad Footrest LH
8	182005	Decal Hood Side Panel	--	138311	Decal Lift Handle
9	172740	Decal Fender Logo	--	187733	Manual Owner's English
10	157140	Decal Danger English	--	187734	Manual Owner's French

WHEELS & TIRES



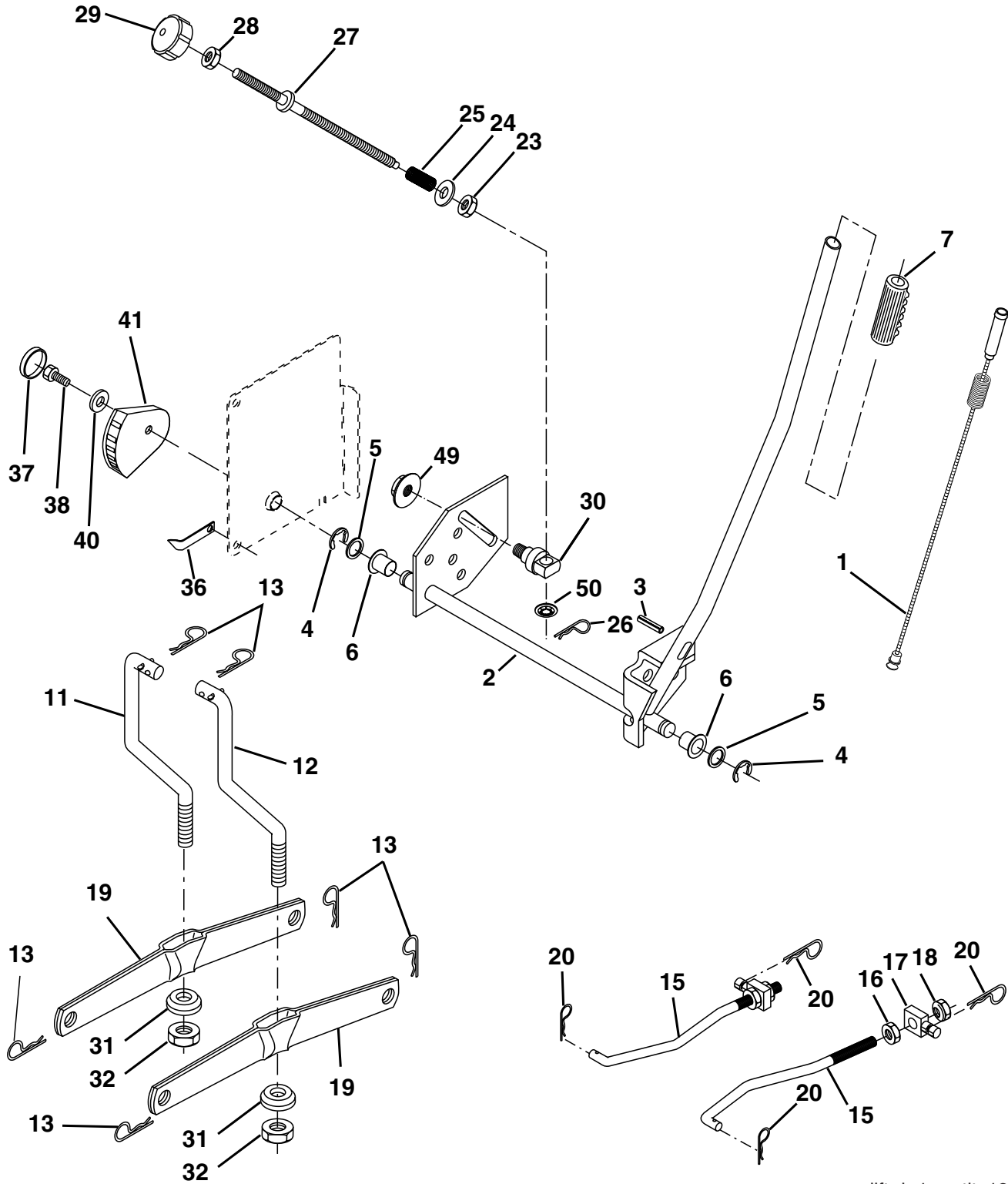
KEY NO.	PART NO.	DESCRIPTION
1	59192	Cap Valve Tire
2	65139	Stem Valve
3	170455	Tire F Ts 15 X 6 0 - 6 Service
4	59904	Tube Front (Service Item Only)
5	106732X421	Rim Asm 6"front Service
6	278H	Fitting Grease (Front Wheel Only)
7	9040H	Bearing Flange (Front Wheel Only)
8	106108X421	Rim Asm 8"rear Service
9	170456	Tire R Ts 20X10.00-8 C Service
10	7152J	Tube Rear (Service Item Only)
11	104757X421	Cap Axle Blk 1 50 X 1 00
--	144334	Sealant, Tire (10 oz. Tube)

NOTE: All component dimensions given in U.S. inches
1 inch = 25.4 mm

REPAIR PARTS

TRACTOR -- MODEL NUMBER PDB1842STA

MOWER LIFT



lift-rh.1pc.stlt_12

REPAIR PARTS

TRACTOR - - MODEL NUMBER PDB1842STA

MOWER LIFT

KEY NO.	PART NO.	DESCRIPTION
1	184432	Plunger Asm.
2	159476	Shaft Asm Lift
3	178981	Pin Groove
4	12000002	E Ring #5133-62
5	19211621	Washer 21/32 x 1 x 21 Ga.
6	120183X	Bearing Nylon
7	175830	Grip Handle
11	139865	Link Lift Lh
12	139866	Link Lift Rh
13	4939M	Retainer Spring
15	173288	Link Front
16	73350800	Nut Jam Hex 1/2-13 Unc
17	175689	Trunnion Blk Zinc
18	73800800	Nut Lock w/Wsh 1/2-13 Unc
19	139868	Arm Suspension Rear
20	163552	Retainer Spring
23	110807X	Nut Special
24	19131016	Washer 13/32 x 5/8 x 16 Ga.
25	2876H	Spring
26	169484	Retainer Clip
27	126971X	Rod Adj. Lift
28	73350600	Nut Hex Jam 3/8-16 Unc
29	138057	Knob
30	150233	Trunnion Infin. Height
31	169865	Bearing Pvt Lift
32	73540600	Nut Crownlock 3/8-24
36	155097	Pointer Height Indicator
37	123935X	Plug Hole
38	17060516	Screw 5/16-18 x 1
40	19112410	Washer 11/32 x 1-1/2 10 Ga.
41	155098	Indicator Height
49	145212	Nut Hex Flange Lock
50	110452X	Nut Push

NOTE: All component dimensions given in U.S. inches
1 inch = 25.4 mm

REPAIR PARTS**TRACTOR - - MODEL NUMBER PDB1842STA****MOWER DECK**

KEY NO.	PART NO.	DESCRIPTION	KEY NO.	PART NO.	DESCRIPTION
1	182032X421	Mower Deck Assembly, 42"	68	144959	V-Belt, 42" Mower
2	72140506	Bolt	91	180532	Bracket Noseroller LH
3	138017	Bracket Asm Fr. Sway Bar 3/42	94	132264	Roller Nose
4	165460	Bracket Asm Deck 42" Sway Bar	95	180533	Bracket Noseroller RH
5	4939M	Retainer Spring	101	136420	Cover Mulching
6	178024	Bar Sway Deck	102	71081010	Screw 10-24 x 5/8
8	850857	Bolt 3/8-24 x 25 Grade 8 patched	103	19061216	Washer #10
9	10030600	Washer, Lock	104	10071000	Washer Lock #10
10	140296	Washer, Hardened (The following blades are available)	105	160793	Latch Asm.
11	134149	Blade, 42" Mulching Std (For mulching mowers only)	106	2029J	Nut Weld
--	139775	Blade, 42" Mulching Premium (For better wear when mulching)	113	17060512	Screw 5/16-18 x 3/4
--	138971	Blade, 42" Hi-Lift (For bagging or discharging)	116	184219	Bolt Shoulder 3/8-16 x 3-5/8
13	137645	Shaft Assembly, Mandrel, Vented	117	133957	Wheel Gauge
14	128774	Housing, Mandrel, Vented	118	73930600	Nut 3/8-16
15	110485X	Bearing, Ball, Mandrel	119	19121414	Washer 3/8 x 7/8 x 14 Ga.
16	174493	Stripper, Vented Mower Deck	132	17000612	Screw 3/8-16 x 3/4
18	72140505	Bolt, Carriage 5/16-18 x 5/8	134	156941	Pin Head Rivet
19	132827	Bolt, Shoulder	135	159765	Bracket Asm. LH Rear
20	159770	Baffle, Vortex	136	155986	Bar Adjusting
21	73680500	Nut	138	159763	Bracket Asm. RH Rear
23	177563	Bracket, Deflector Mower 42"	139	159767	Bracket Asm. RH Front
24	105304X	Cap, Sleeve 80 x 112 Blk Mower	140	159768	Bracket Asm. LH Front
25	123713X	Spring, Torsion, Deflector 2 52	142	165890	Arm Spring Brake Mower
26	110452X	Nut, Push Phos & Oil	143	157109	Bracket Arm Idler 42"
27	130968X428	Shield, Deflector 42" Blk	144	173441	Keeper Belt 42" Clutch Cable
28	19111016	Washer 11/32 x 5/8 x 16 Gauge	145	173437	Pulley Idler Flat
29	131491	Rod, Hinge 42" 6 75 W/G	146	173443	Bolt Carriage Idler
30	173984	Screw Thdrol Washer Head	147	131335	Spring Extension
31	129963	Washer, Spacer Mower Vented	148	169022	Spring Return Idler
32	173436	Pulley, Mandrel	149	165898	Retainer Spring Yellow
33	178342	Nut, Toplock Flange	150	19091216	Washer 9/32 x 3/4 x 16 Ga.
34	72110614	Bolt	151	169670	Bracket Clutch Cable
36	173438	Pulley, Idler, Flat	152	169676	Clutch Cable 42"
37	19131316	Washer 13/32 x 13/16 x 16 Ga.	153	169674	Washer Flat 3/8" Type B
40	73680600	Nut	154	169675	Spring Retainer
44	140088	Guard, Mandrel, LH	155	169671	Spring Retention LVR CLTCH CAB
45	4497H	Retainer	156	169672	Spacer Clutch Cable
46	137729	Screw, Thdrol 1/4-20 x 5/8 T	157	169669	Rod Clutch Cable 3/8"
48	133944	Washer, Hardened	158	17720408	Screw Hex Thd Cut 1/4-20 x 1/2
52	139888	Bolt, Shoulder 5/16-18 Unc	159	72140614	Bolt Rdhd Sqn 3/8-16 Unc x 1-3/4
53	184907	Arm Assembly, Pad, Brake	182	179126	Rod Roller Nose
54	178515	Washer, Hardened	183	163552	Retainer Spring
55	155046	Arm, Idler	184	19131410	Washer 13/32 x 7/8 x 10 Ga.
56	122052X	Spacer, Retainer	--	130794	Mandrel Assembly (Includes Housing, Shaft and Shaft Hardware Only-Pulley Not Included)
59	173442	Guard TUV Idler	--	184563	Replacement Mower, Complete
67	171598	Knob			

NOTE: All component dimensions given in U.S. inches
1 inch = 25.4 mm