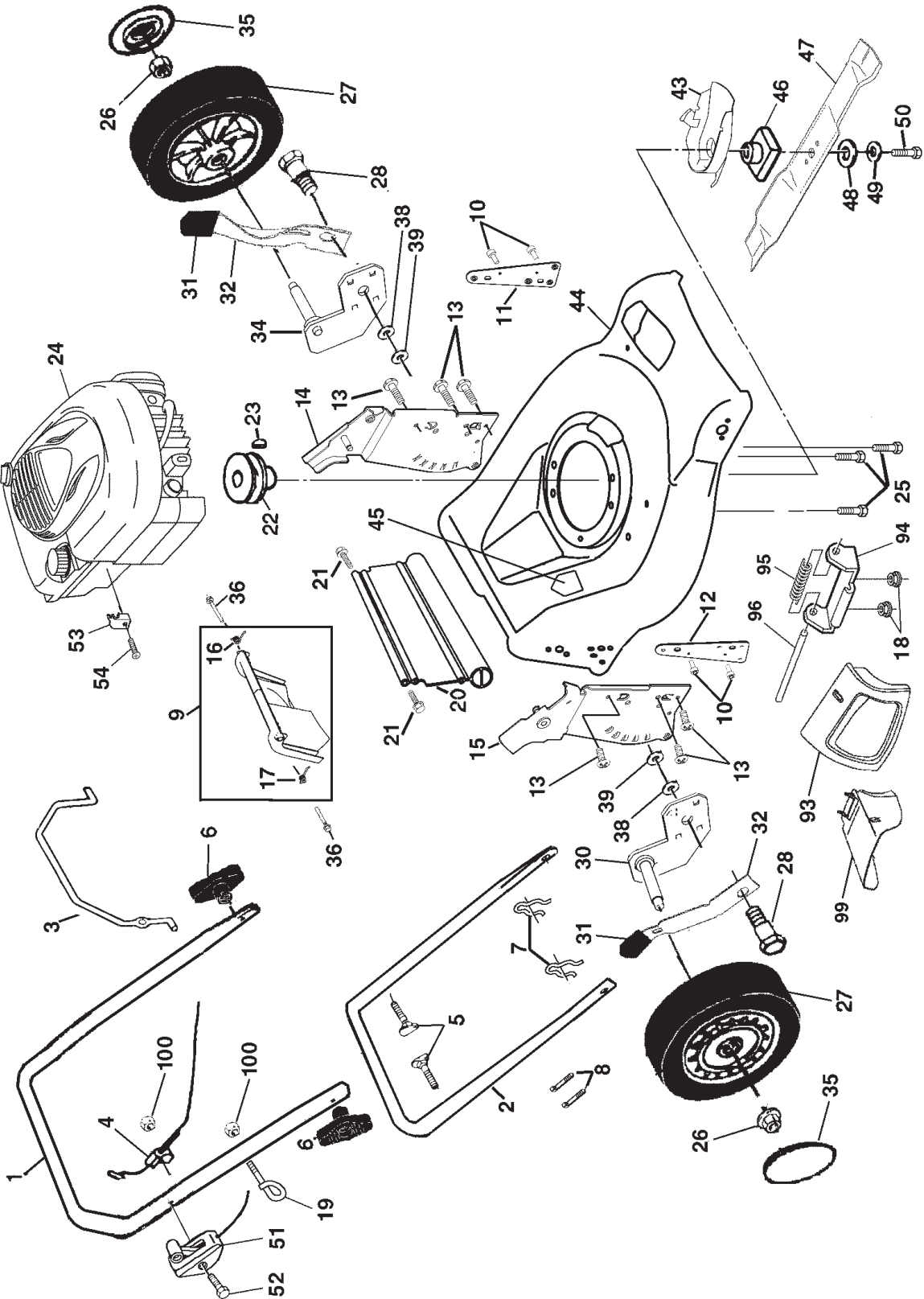


ROTARY LAWN MOWER - - MODEL NUMBER KC6Y21CA

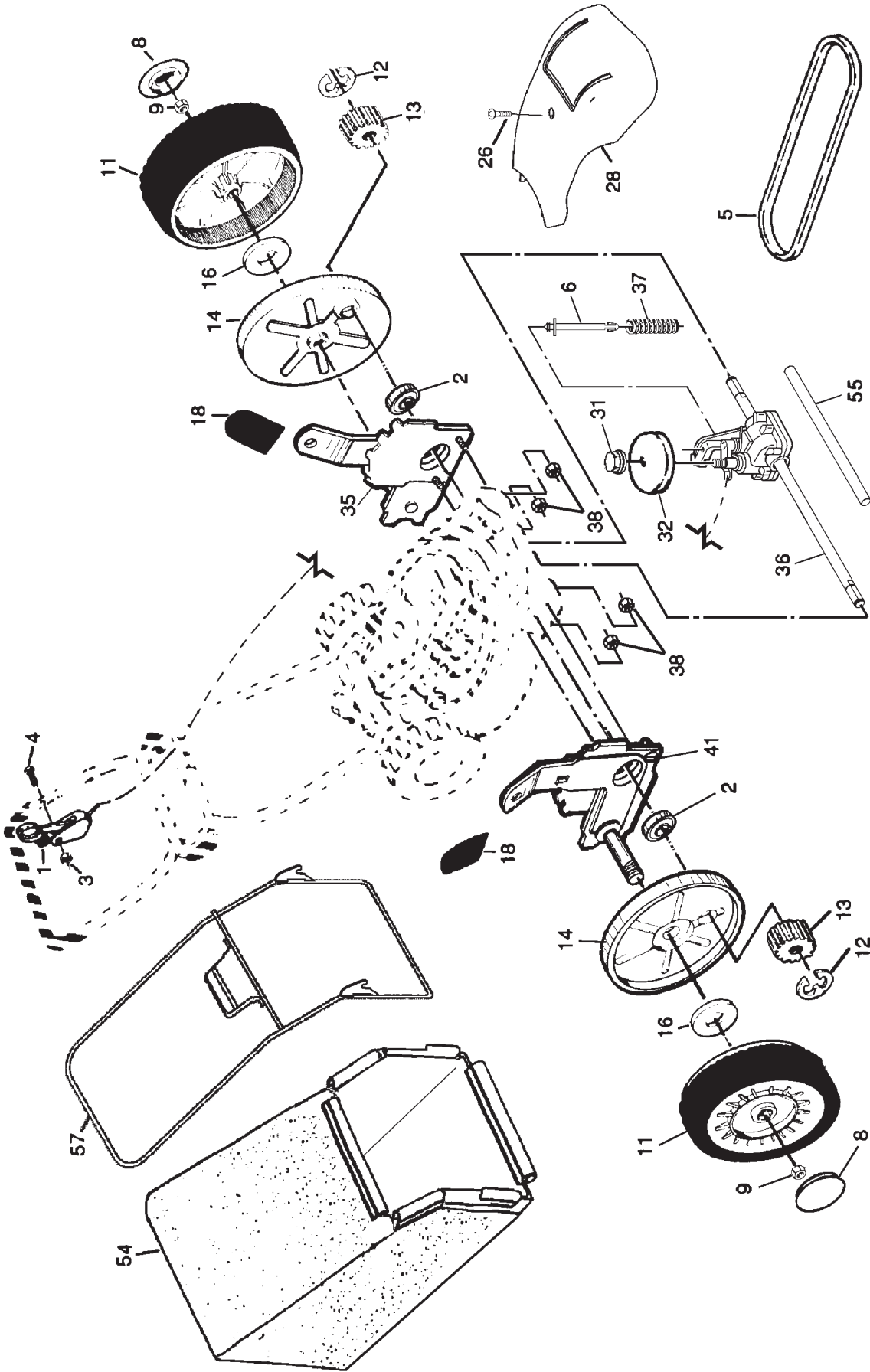


ROTARY LAWN MOWER - - MODEL NUMBER KC6Y21CA

KEY NO.	PART NO.	DESCRIPTION	KEY NO.	PART NO.	DESCRIPTION
1	166862X479	Upper Handle	32	175060X004	Selector Spring
2	151721X479	Lower Handle	34	165762X004	Axle Arm Assembly LR
3	145794	Control Bar	35	186306	Hubcap
4	133107	Engine Zone Control Cable	36	184193	Bolt
5	131959	Handle Bolt	38	176185	Washer
6	136376	Handle Knob	39	176235	Push Nut
7	51793	Hairpin Cotter	43	175083	Bottom Belt Cover
8	66426	Wire Tie	44	186938	Lawn Mower Housing
9	180479	Rear Door Kit (Incl. Key #16 & 17)	45	141846	Danger Decal
10	128415	Pop Rivet	46	851514	Blade Adapter
11	175069X479	Support Bracket LH	47	175064	Blade 21"
12	175070X479	Support Bracket RH	48	851074	Hardened Washer
13	17060410	Screw 14-20 x 5/8	49	850263	Helical Washer 3/8-24 x 1-3/8 Gr. 8
14	175082X479	Handle Bracket Assembly (Left)	50	851084	Hex Head Machine Screw 3/8-24 x 1-3/8 Gr. 8
15	175081X479	Handle Bracket Assembly (Right)	51	700417	Throttle Control
16	180071	Spring LH	52	144929	Screw
17	180072	Spring RH	53	111190X	Clamp, Cable
18	73800400	Keps Locknut 1/4-20	54	83816	Screw
19	179585	Rope Guide	93	175066	Mulcher Door
20	178398	Rear Skirt	94	175735	Hinge Bracket
21	88652	Hinge Screw 1/4-20 x 1-1/4	95	175285	Spring
22	84596	Engine Pulley	96	175650	Rod, Hinge
23	87677	Hi-Pro Key #505	99	175071	Discharge Deflector
24	---	Engine, Briggs & Stratton, Model Number 12H802 (order parts from engine manufacturer)	100	132004	Nut, Hex
25	150406	Hex Head Thread Rolling Srew 3/8-16 x 1-1/8	--	161058	Warning Decal (Not Shown)
26	83923	Hex Flange Nut	--	172787	Operator's Manual, English
27	167628	Wheel	--	172789	Operator's Manual, Spanish
28	175231	Shoulder Bolt	--	186936	Repair Parts Manual, English
30	165761X004	Axle Arm Assembly RR			
31	87877	Selector Knob			

NOTE: All component dimensions given in U.S. inches.
1 inch = 25.4 mm

ROTARY LAWN MOWER - - MODEL NUMBER KC6Y21CA

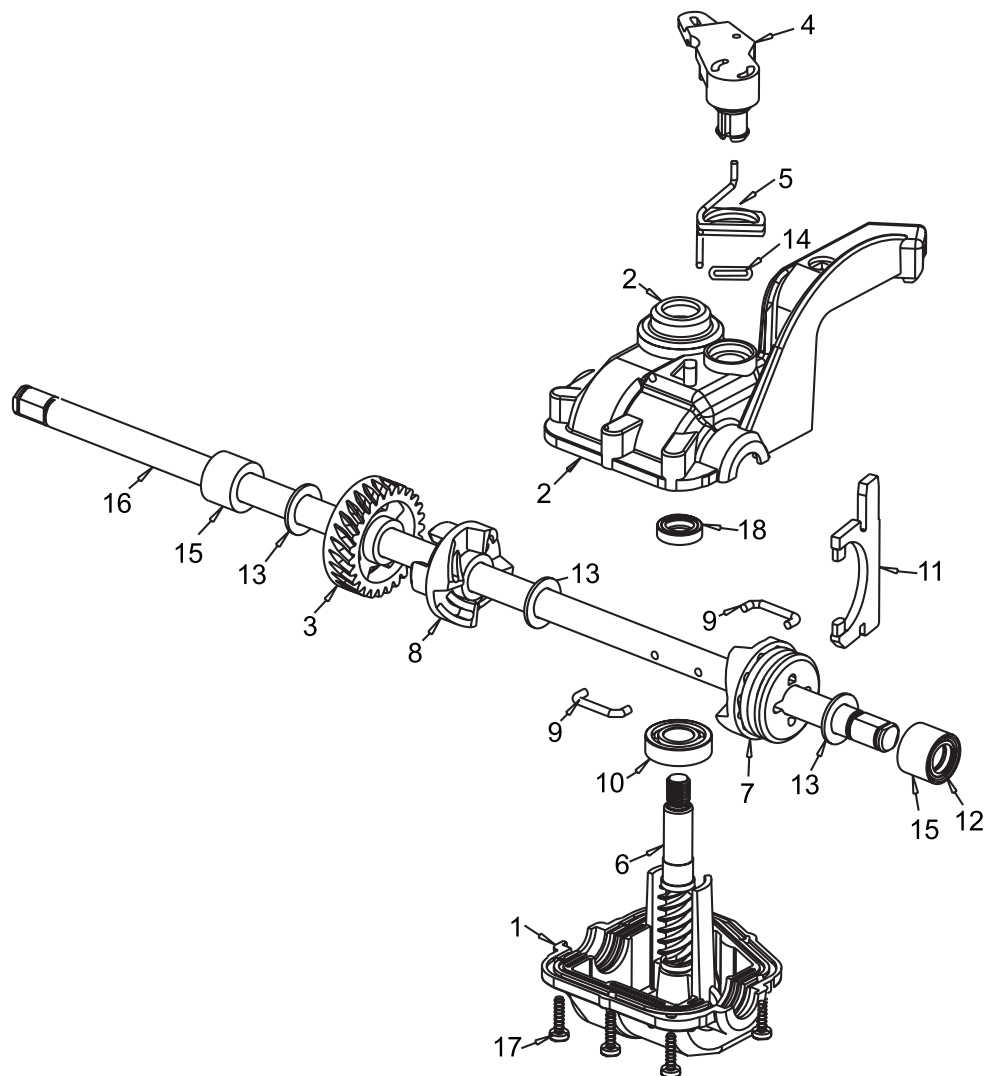


ROTARY LAWN MOWER - - MODEL NUMBER KC6Y21CA

KEY NO.	PART NO.	DESCRIPTION	KEY NO.	PART NO.	DESCRIPTION
1	184588	Control Cable Assembly	28	181468	Dive Cover
2	167387	Bearing, Wheel Adjuster	31	132010	Hex Flange Nut
3	751152	Locknut #10-24	32	137052	Drive Pulley
4	158755	Hex Washer Head Screw 1/4-20 x 2.12	35	151521	Kit, Wheel Adjuster, LH (Includes Knob and Bearing)
5	175436	V-Belt	36	180184	Gear Case Assembly (See Breakdown)
6	150495	Spring Retainer	37	137090	Spring
8	186306	Hubcap	38	73800400	Locknut 1/4-20
9	145212	Locknut	41	151520	Kit, Wheel Adjuster, RH (Includes Knob and Bearing)
11	180767	Wheel & Tire Assembly	54	186937	Grassbag Assembly
12	12000058	E-Ring	55	175739	Driveshaft Cover
13	137054	Pinion	57	183993	Frame, Grassbag
14	180504	Dust Cover			
16	67725	Washer 1/2 x 1-1/2 x .134			
18	87877	Selector Knob			
26	175262	Pan Head Tapping Screw #10-24 x 2-3/4			

NOTE: All component dimensions given in U.S. inches.
1 inch = 25.4 mm

**ROTARY LAWN MOWER - - MODEL NUMBER KC6Y21CA
GEARCASE ASSEMBLY - - PART NUMBER 180184**



KEY NO.	PART NO.	DESCRIPTION
1	183497	Case, Lower
2	183498	Case, Upper
3	183499	Gear, 27 Teeth
4	183500	Lever, Clutch
5	183501	Spring, Return
6	183502	Shaft, Input
7	183503	Dog, Movable
8	183504	Dog, Fixed
9	183505	Wire, Formed
10	183506	Bearing, Ball
11	183507	Fork, Shift
12	183508	Seal, Output Shaft
13	183509	Washer
14	183510	Seal, Case
15	183511	Bushing
16	183512	Shaft, Output
17	183513	Screw
18	183514	Seal, Input Shaft
--	183404	Kit, Gearcase Replacement (Includes Instructions)

NOTE: Use Dow Corning #709 to reseal Gear Case Halves.

NOTE: All component dimensions given in U.S. inches.
1 inch = 25.4 mm