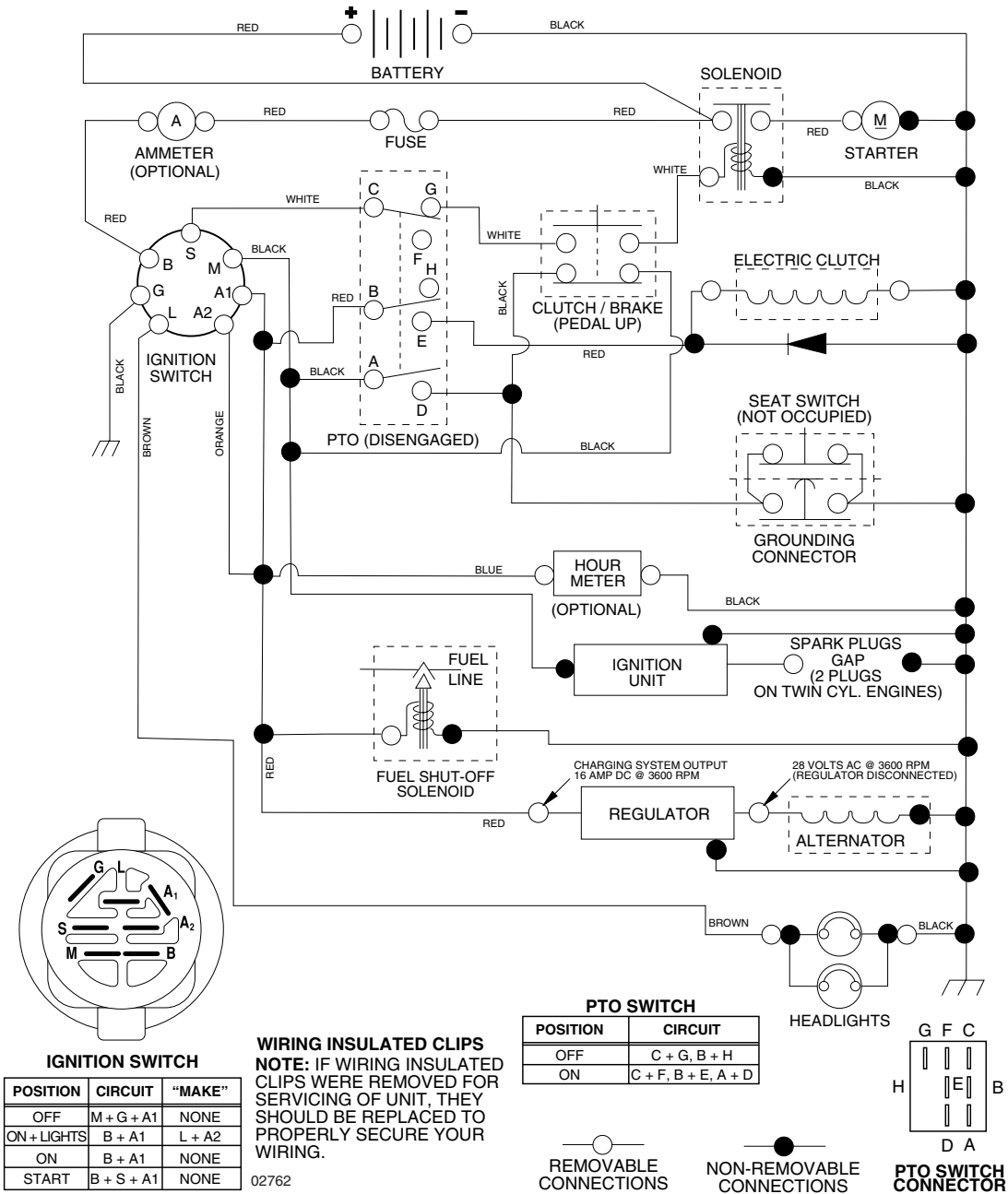


TRACTOR - - MODEL NUMBER CO24H48STA

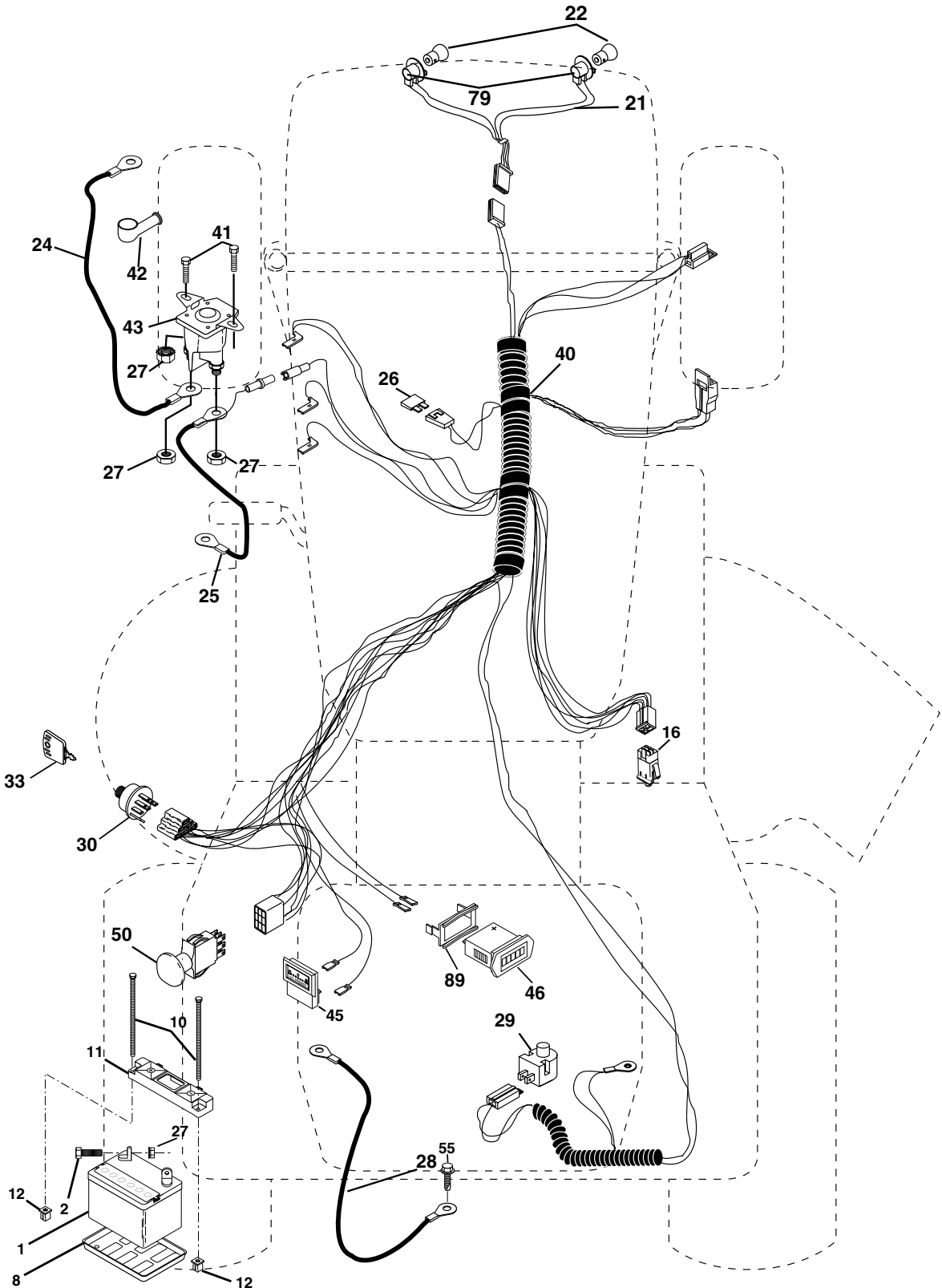
SCHEMATIC



REPAIR PARTS

TRACTOR - - MODEL NUMBER CO24H48STA

ELECTRICAL



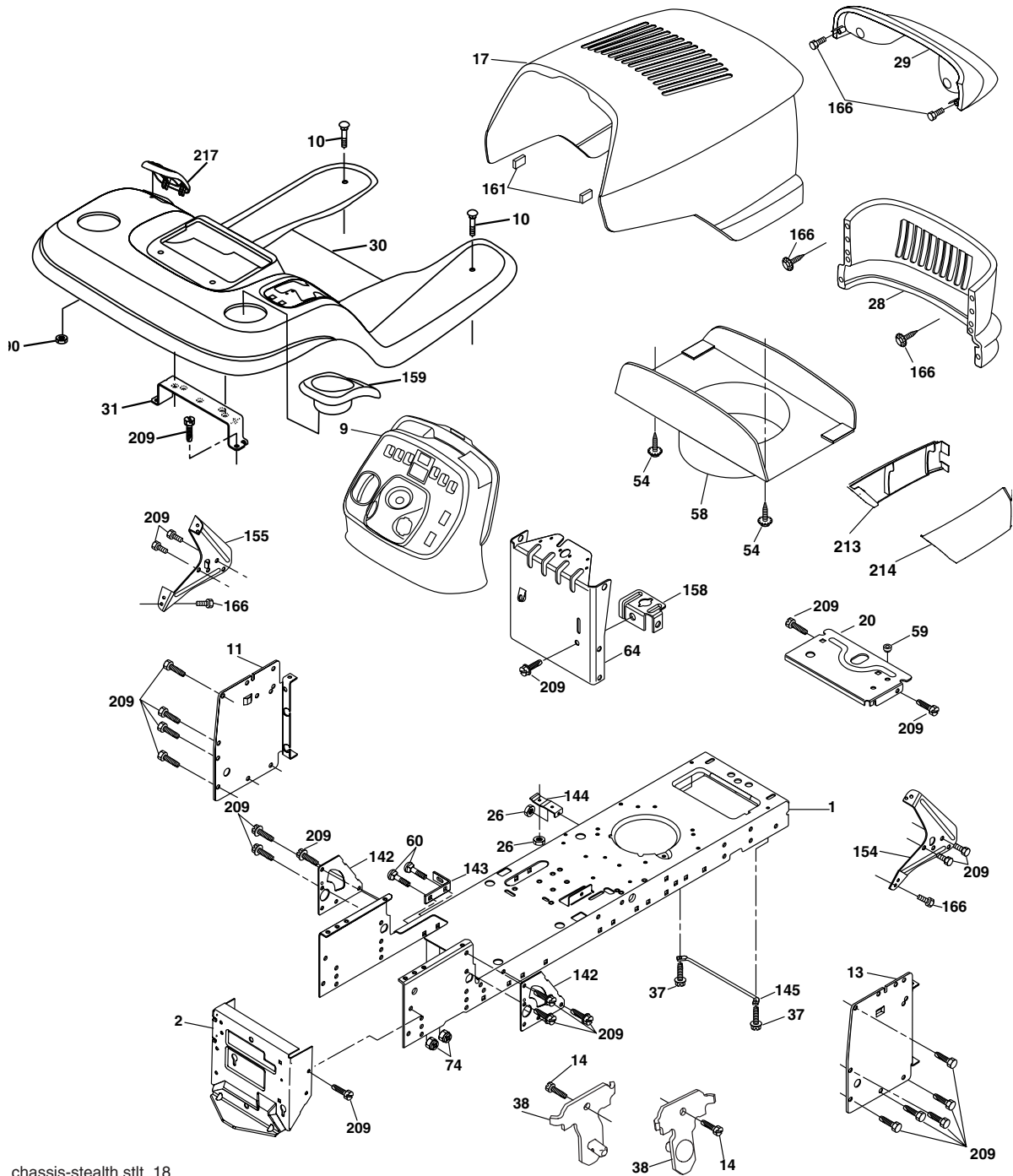
TRACTOR - - MODEL NUMBER CO24H48STA

ELECTRICAL

KEY NO.	PART NO.	DESCRIPTION
1	144927	Battery
2	74760412	Bolt, Hex 1/4-20 x 3/4
8	7603J	Tray, Battery
10	145211	Bolt, Battery, Front 1/4-20 x 7-1/2
11	150109	Holddown, Battery, Front
12	145769	Nut, Push, Nylon, Battery, Front 1/4
16	176138	Switch, Interlock
21	175688	Harness, Light
22	4152J	Bulb Light #1156
24	8860R	Cable Starter
25	146148	Cable
26	175158	Fuse
27	73510400	Nut, Hex, Keps 1/4-20 unc
28	145491	Cable, Ground
29	121305X	Switch, Seat
30	175566	Switch, Ignition
33	140401	Key
40	188031	Harness, Ignition
41	17720408	Screw Thd Cut 1/4-20 x 1/2
42	131563	Cover Terminal
43	178861	Solinoid w/brass plunger
45	122822X	Ammeter
46	169635	Hourmeter
50	174653	Switch, PTO
55	17490508	Screw, Thd. Roll. 5/16-18 x 1/2
79	175242	Socket Asm Bulb Twistlock
89	169639	Bracket Snap-in

NOTE: All component dimensions given in U.S. inches
1 inch = 25.4 mm

TRACTOR - - MODEL NUMBER CO24H48STA
CHASSIS AND ENCLOSURES



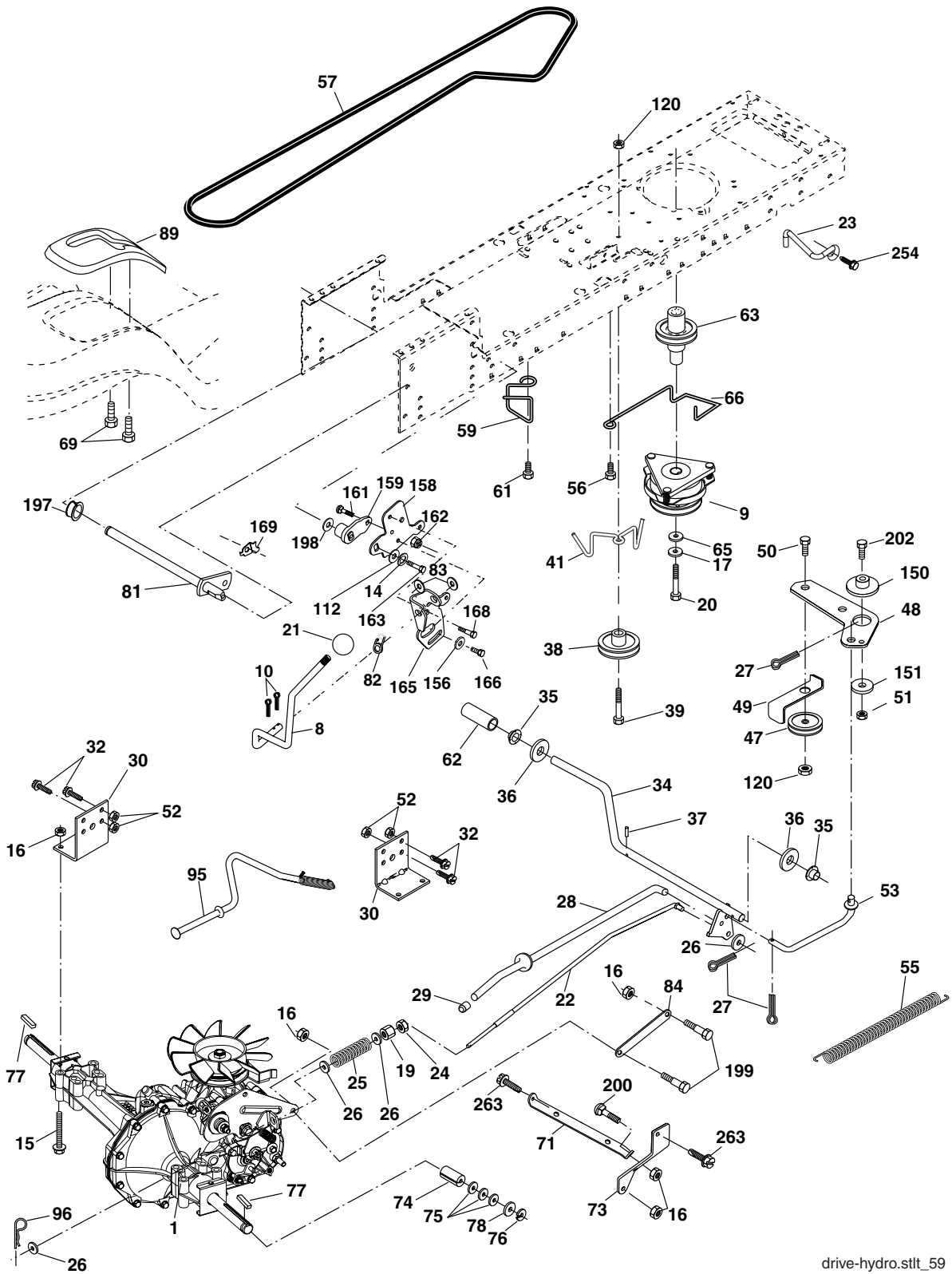
chassis-stealth.stlt_18

**TRACTOR - - MODEL NUMBER CO24H48STA
CHASSIS AND ENCLOSURES**

KEY NO.	PART NO.	DESCRIPTION
1	174619	Chassis
2	176554	Drawbar
9	187934X428	Dash
10	72140608	Bolt RDHD SQNK 3/8-16 x 1
11	167203	Panel, Dash, LH
13	188702X010	Panel, Dash, RH
14	17490608	Screw Thdrol 3/8-16 x 1/2
17	175260X428	Hood Assembly
20	162026	Plate Battery
26	73800600	Locknut, Hex, with Insert 3/8-16 unc
28	175289X428	Grille
29	161840	Lens, Bar
30	188572X428	Fender/Footrest
31	139976	Bracket, Fender/Support
37	17490508	Screw, Thdrol. 5/16-18 x 1/2 TYT
38	175710	Bracket Asm Pivot Mower Rear
54	161464	Screw Hex Wshd 8-18 x 7/8
58	175351	Duct Hood
59	187495	Bushing 1.375 OD
60	72140606	Bolt Rdhd Sqnk 3/8-16 unc x 3/4
64	174997	Dash Lower
74	73680600	Nut Crownlock 3/8-16 unc
90	124346X	Nut Self Thrd Wshd 1/4 Zinc
142	175702	Plate Reinforcement
143	186689	Bracket Swaybar Chassis
144	175582	Bracket Footrest
145	156524	Rod Pivot Chassis/Hood
154	161897	Bracket Dash Rh
155	161900	Bracket Dash Lh
158	162037	Parking Brake Bkrt
159	179950X428	Cupholder
161	164655	Bumper Extrusion .600 x 3.50
166	191611	Screw 10 x 3/4 Single Lead Hex
209	17000612	Screw Hexwsh Thdr 3/8-16 x 3/4
213	169847X428	Skirt Grille RH
214	169848X428	Skirt Grille LH
217	179132X418	Console Fuel Window

NOTE: All component dimensions given in U.S. inches
1 inch = 25.4 mm

TRACTOR -- MODEL NUMBER CO24H48STA



drive-hydro.stlt_59

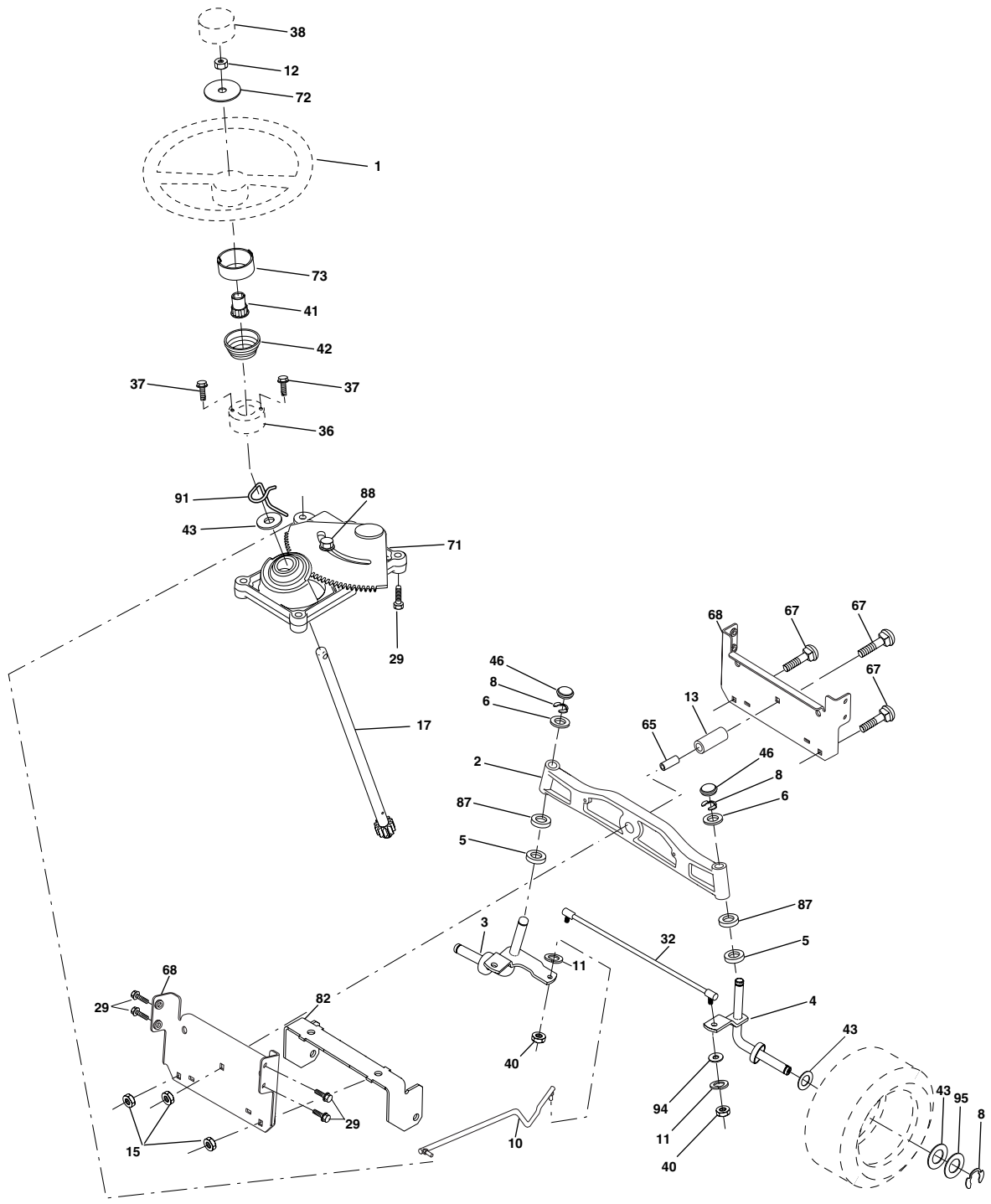
TRACTOR - - MODEL NUMBER CO24H48STA

GROUND DRIVE

KEY PART NO.	PART NO.	DESCRIPTION	KEY PART NO.	PART NO.	DESCRIPTION
1	- - -	Transaxle, HydroGear, Model Number 314-0510 (Order parts from Transaxle manufacturer)	65	10040700	Washer
8	165866	Rod Shift Fend.	66	154778	Keeper Belt Engine
9	179334	Clutch Electric	69	142432	Screw Hex Wsh Hi-Lo 1/4-1/2 unc
10	76020416	Pin Cotter 1/8 x 1	71	169183	Strap Torque LH
14	10040400	Washer Lock Hvy 1/4	73	169182	Strap Torque RH
15	74490544	Bolt Hex Flghd 5/16-18 Gr. 5	74	137057	Spacer, Axle
16	73800500	Nut Lock Hex W/Ins. 5/16-18 unc	75	121749X	Washer 25/32 x 1-1/4 x 16 Ga.
17	126197X	Washer 1-1/2 OD x 15/32 ID x.250	76	12000001	E-Ring
19	73800600	Nut Lock Hex W/Wsh 3/8-16 unc	77	123583X	Key, Square
20	173937	Bolt Hex 7/16-20 x 4 x Gr. 5-1.5	78	121748X	Washer 25/32 x 1-5/8 x 16 Ga.
21	106933X	Knob	81	165596	Shaft Assy. Cross Taper
22	169498	Rod, Brake	82	165711	Spring Torsion
23	190736	Bracket Anti-Rotation	83	19171216	Washer 17/32 x 3/4 x 16 Ga.
24	73350600	Nut, Hex Jam 3/8-16 unc	84	169594	Link Transaxle
25	106888X	Spring, Brake Rod	89	188309X428	Console, Shift
26	19131316	Washer	95	170201	Rod Bypass
27	76020412	Pin Cotter 1/8 x 3/4 CAD.	96	4497H	Retainer Spring 1" Zinc/Cad
28	175765	Rod, Parking Brake	116	72140608	Bolt RDHD SQNK 3/8-16 unc x 1
29	71673	Knob Brake Parking	120	73900600	Nut Lock Fig 3/8-16 unc
30	169592	Bracket, Transaxle	150	175456	Spacer Retainer
32	74760512	Bolt Hex Hd 5/16-18 unc x 3/4	151	19133210	Washer 13/32 x 2 x 10 Ga.
34	175578	Shaft, Foot Pedal	156	166002	Washer 5/16 ID x 1.0 x .125
35	120183X	Bearing, Nylon	158	165589	Bracket Shift Mount
36	19211616	Washer	159	183900	Hub Shift
37	1572H	Pin, Roll	161	72140406	Bolt Rdhd Sqnk 1/4-20 x 3/4 Gr. 5
38	179114	Pulley, Composite	162	73680400	Nut Crownlock 1/4-20 unc
39	72110622	Bolt Rdhd 3/8-16 unc x 2-3/4 Gr. 5	163	74780416	Bolt Hex Fin 1/4-20 unc x 1 Gr. 5
41	175556	Keeper, Belt Idler Flat	164	19091210	Washer 9/32 x 3/4 x 10 Ga.
47	127783	Pulley, Idler, V-Groove	165	165623	Bracket Pivot Lever
48	154407	Bellcrank Clutch Grnd Drw Stl	166	17490510	Screw 5/16-18 x 5/8
49	123205X	Retainer, Belt	168	165492	Bolt Shoulder 5/16-18 x .561
50	72110612	Bolt	169	165580	Plate Fastener Cross Shf.
51	73680600	Nut Crownlock 3/8-16 unc	197	169613	Nyliner Snap-in 5/8 ID
52	73680500	Nut, Crownlock 5/16-18 unc	198	169593	Washer Nyl 7/8 ID x .105"
53	105710X	Link, Clutch	199	169612	Bolt Shoulder 5/16-18 unc
55	105709X	Spring, Return, Clutch	200	72140508	Bolt Rdhd Sqnk 5/16-18 unc x 1
56	17060620	Screw 3/8-16 x 1-1/4	202	72110614	Bolt Carr Sh 3/8-16 x 1-3/4 Gr. 5
57	140294	V-Belt, Ground Drive	212	145212	Nut HexFlange Lock
59	169691	Keeper, Center Span	254	17000616	Screw 3/8-16 x 1
61	17120614	Screw 3/8-16 x .875	271	17000612	Screw 3/8-16 x .75
62	123533X	Cover, Pedal			
63	174607	Pulley, Engine			

NOTE: All component dimensions given in U.S. inches
1 inch = 25.4 mm

TRACTOR - - MODEL NUMBER CO24H48STA STEERING ASSEMBLY



steering_stealth_prem_10

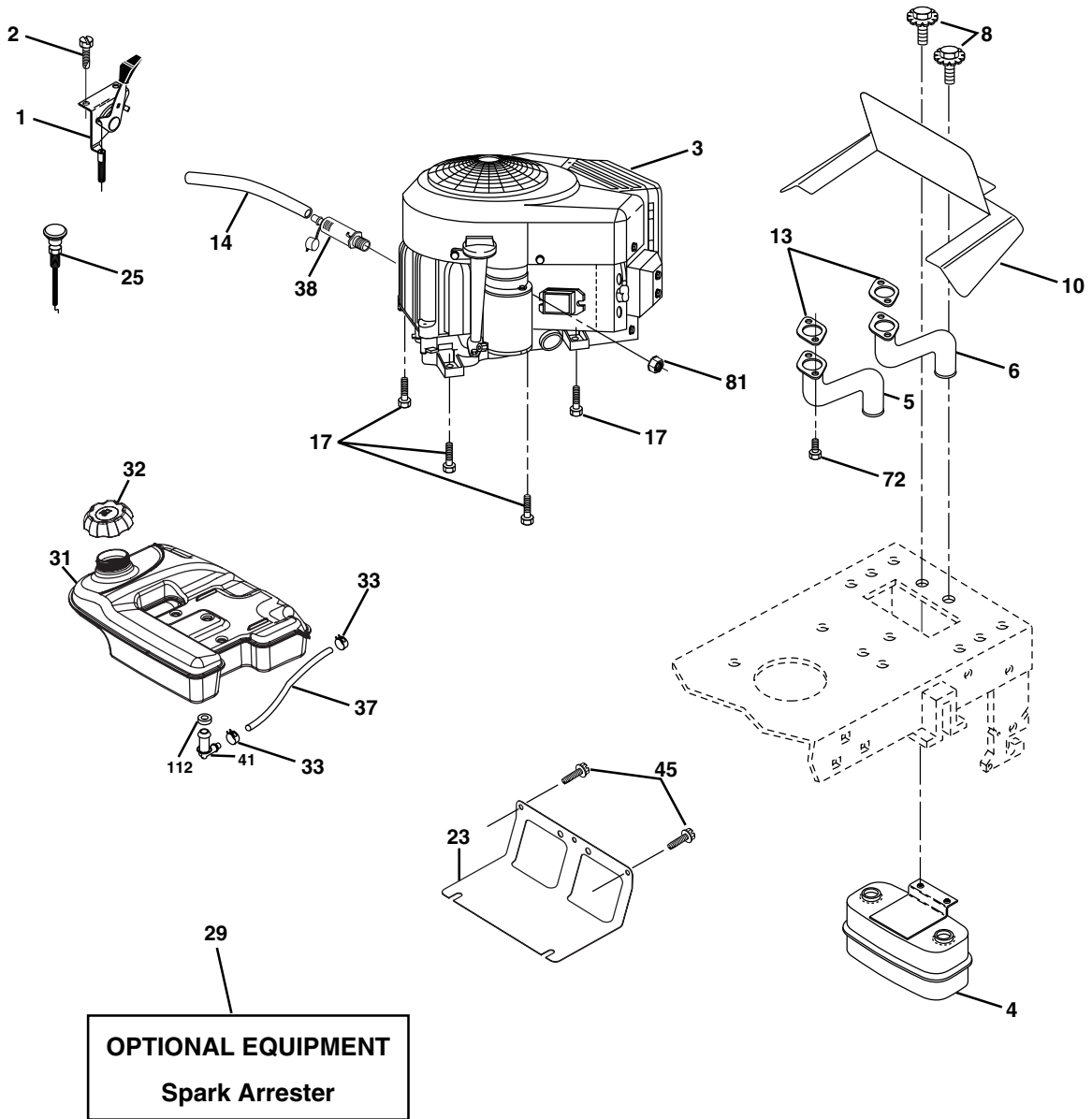
**TRACTOR - - MODEL NUMBER CO24H48STA
STEERING ASSEMBLY**

KEY NO.	PART NO.	DESCRIPTION
1	159944X428	Wheel Steering
2	184706	Axle Asm
3	169840	Spindle Asm LH
4	169839	Spindle Asm RH
5	6266H	Bearing Race Thrust Harden
6	121748X	Washer 25/32 x 1-5/8 x 16 Ga.
8	12000029	Ring Klip #t5304-75
10	175121	Link Drag
11	10040600	Washer Lock Hvy Hlcl Spr 3/8
12	73940800	Nut Hex Jam Toplock 1/2-20 unf
13	136518	Spacer Bearing Axle Front
15	145212	Nut Hex Flange Lock
17	177883	Shaft Asm. Steering
29	17000612	Screw 3/8-16 x 3/4
32	180580	Rod Tie
34	10040600	Washer Lock Hlcl Spr 3/8
36	155105	Bushing Strg
37	152927	Screw
38	159946X428	Insert Cap Strg Wh
39	19182411	Washer 9/16 ID x 1-1/2 OD 11Ga.
40	73540600	Nut Crownlock 3/8-24
41	159945	Adaptor Wheel Strg
42	163888X428	Boot Steering
43	121749X	Washer 25/32 1 1/4 x 16 Ga.
46	184946X505	Cap Spindle
65	160367	Spacer Brace Axle
67	72110618	Bolt, Rdhd Sq 3/8-16 unc x 2-1/4
68	169827	Axle, Brace
71	175146	Steering Asm.
73	160135X428	Extension Steering Stealth
82	169835	Bracket Susp. Chassis Front
87	173966	Washer Flat .781 x 1-1/2 x .15
88	175118	Bolt Shoulder 7/16-20 unc
91	175553	Clip Steering
94	19121414	Washer 3/8 x 7/8 x 14 Ga.
95	188967	Washer Harden .793 x 1.637 x .060

NOTE: All component dimensions given in U.S. inches
1 inch = 25.4 mm

TRACTOR - - MODEL NUMBER CO24H48STA

ENGINE



engine-bs intek-twin_39

TRACTOR - - MODEL NUMBER CO24H48STA

ENGINE

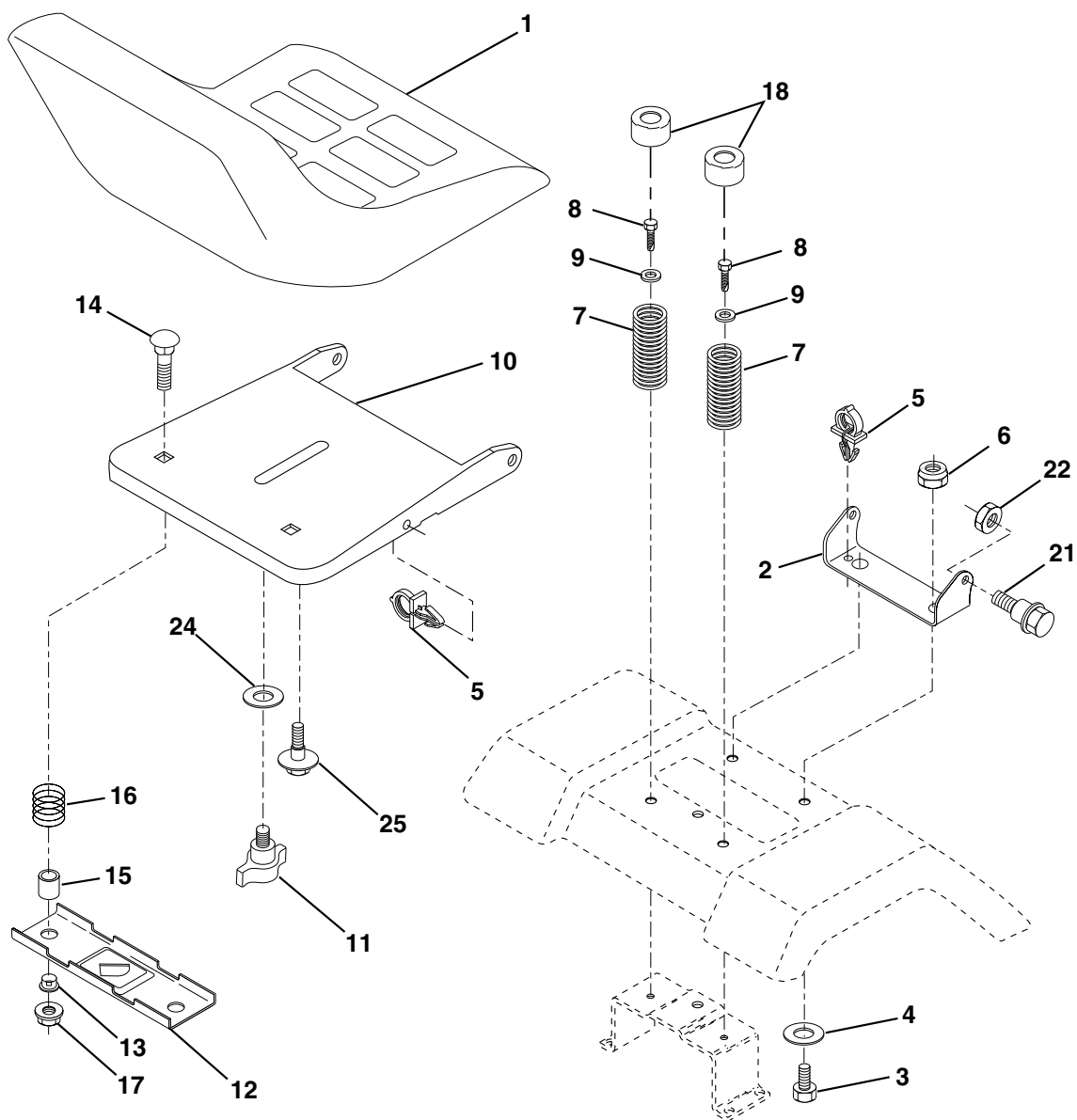
KEY NO.	PART NO.	DESCRIPTION
1	175437X428	Control Throttle
2	171875	Screw Hwhd Hi-Lo #13-16 x 3/4
3	-----	Engine, Briggs Model 445777 (Order parts from engine manufacturer)
4	149723	Muffler Asm Twin Lo-Tone
5	159955	Pipe Exhaust LH Intek
6	160589	Pipe Exhaust RH Intek
8	171877	Bolt 5/16-18 Unc x 3/4 w/Sems
10	162797	Shield Browning Intek II
13	165391	Muffler Gasket
14	148456	Tube Drain oil
17	17060624	Screw Thdrol 3/8-16 x 1-1/2
23	169837	Shield Heat
25	187767X428	Choke Control
29	137180	Kit Spark Arrestor (Flat Scrn)
31	179022	Tank Fuel 4.0 Rear
32	179124X428	Cap Asm Fuel
33	123487X	Clamp Hose Black
37	8543R	Line Fuel
38	181654	Plug Drain Oil Easy
41	139277	Stem Tank Fuel
45	17000612	Screw Hexwsh Thdr 3/8-16 x 3/4
72	183906	Screw 5/16-18 x 1
81	73510400	Nut Keps Hex 1/4-20 unc
112	3645J	Bushing

NOTE: All component dimensions given in U.S. inches
1 inch = 25.4 mm

For engine service and replacement parts, call the toll free number for your engine manufacturer listed below:

Briggs & Stratton	1-800-233-3723
Kohler Co.	1-800-544-2444
Tecumseh Products	1-800-558-5402
Honda Engines	1-800-426-7701
Kawasaki	1-800-460-5688

TRACTOR - - MODEL NUMBER CO24H48STA
SEAT ASSEMBLY



seat_lt.knob_2

**KEY PART
 NO. NO.**

KEY PART NO.	NO.	DESCRIPTION
1	189022	Seat
2	140551	Bracket Pivot Seat
3	71110616	Bolt Fin Hex 3/8-16 unc x 1
4	19131610	Washer 13/32 x 1 x 10 Ga
5	145006	Clip Push-In
6	73800600	Nut Hex w/Ins. 3/8-16 unc
7	124181X	Spring Seat Cprsn
8	17000616	Screw 3/8-16 x 1-1/2
9	19131614	Washer 13/32 x 1 x 14 Ga.
10	182493	Pan Seat
11	166369	Knob Seat Adj. Wingnut
12	121246X	Bracket Mounting Switch

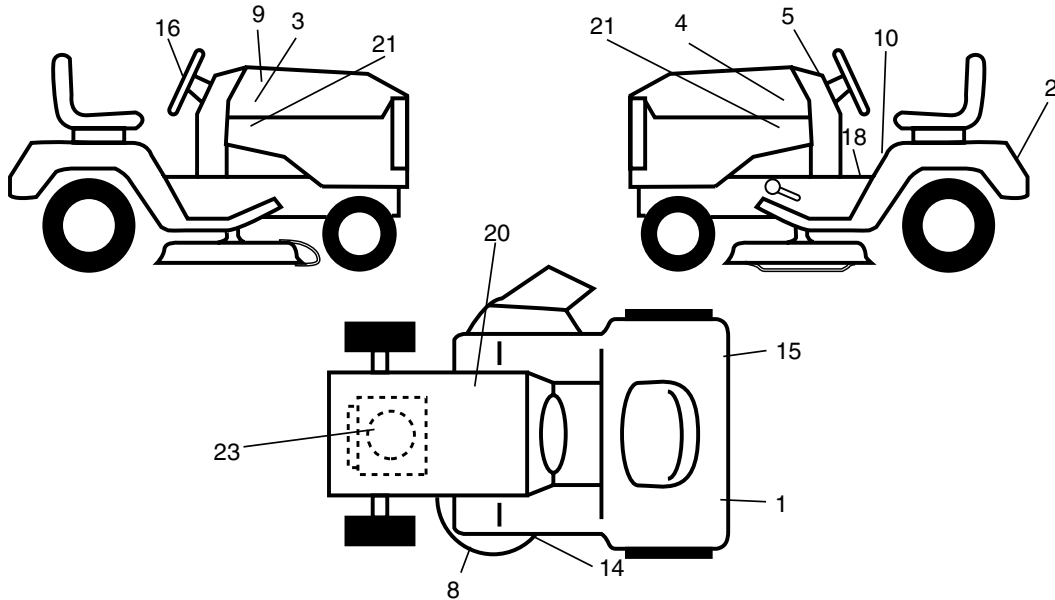
**KEY PART
 NO. NO.**

KEY PART NO.	NO.	DESCRIPTION
13	121248X	Bushing Snap Blk Nyl 50 Id
14	72050412	Bolt Rdhd Sqnk 1/4-20 x 1-1/2
15	121249X	Spacer Split 28x .88 Zinc
16	123740X	Spring Cprsn Plate 1.310 Ga
17	123976X	Nut Lock 1/4 Lge Flg Gr. 5 Zinc
18	124238X	Cap Spring Seat
21	171852	Bolt Shoulder 5/16-18 unc
22	73800500	Nut Hex Lock W/Ins 5/16-18
24	19171912	Washer 17/32 x 1-3/16 x 12 Ga.
25	127018X	Bolt Shoulder 5/16-18 x 62

NOTE: All component dimensions given in U.S. inches
 1 inch = 25.4 mm

TRACTOR - - MODEL NUMBER CO24H48STA

DECALS



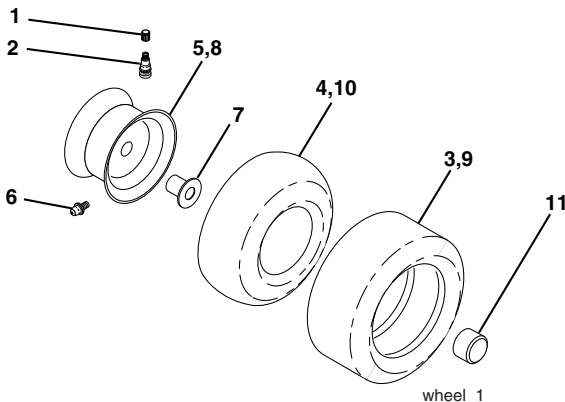
KEY PART NO. NO.

KEY PART NO.	PART NO.	DESCRIPTION
1	187407	Reflector, LH
2	172740	Decal, Fender
3	176272	Decal, Hood RH
4	176273	Decal, Hood LH
5	191648	Decal, DSHINS
8	178455	Decal, Deck, Caution
9	185441	Decal, Replacement Hood
10	157141	Decal, Fender, Danger
14	175291	Decal, V-Belt, Schematic
15	187408	Decal, Reflector, RH

KEY PART NO. NO.

KEY PART NO.	PART NO.	DESCRIPTION
16	172743	Decal, Steering Wheel
18	156811	Decal, Fender Opr.
20	145005	Decal, Battery
21	191659	Decal, Hood, Side Panel
23	191652	Decal, Engine
--	184310X428	Pad, Footrest, ST/LT, LH
--	184311X428	Pad, Footrest, ST/LT, RH
--	166960	Decal By-Pass
--	191697	Manual, Owner's, English
--	191698	Manual, Owner's, Spanish

WHEELS & TIRES

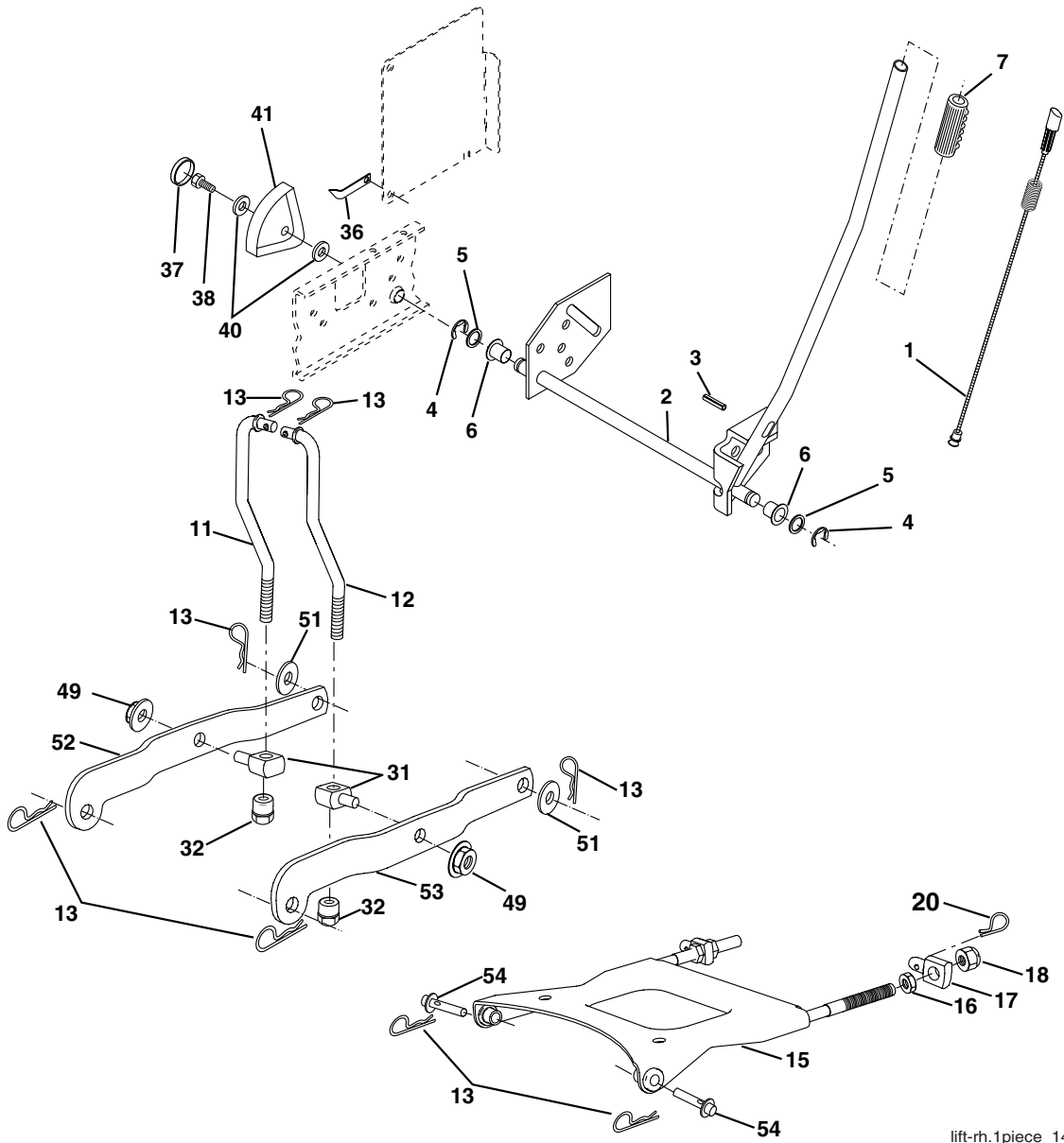


KEY PART NO. NO.

KEY PART NO.	PART NO.	DESCRIPTION
1	59192	Cap Valve Tire
2	65139	Stem Valve
3	106222X	Tire F Ts 15 x 6 0 - 6 Service
4	59904	Tube Front (Service Item Only)
5	106732X421	Rim Asm 6"front Service
6	278H	Fitting Grease (Front Wheel Only)
7	9040H	Bearing Flange (Front Wheel Only)
8	106108X421	Rim Asm 8"rear Service
9	122082X	Tire R Ts 20 x 10-8 C Service
10	7152J	Tube Rear (Service Item Only)
11	104757X421	Cap Axle 1 50 x 1 00
--	144334	Sealant, Tire (10 oz. Tube)

NOTE: All component dimensions given in U.S. inches
1 inch = 25.4 mm

TRACTOR - - MODEL NUMBER CO24H48STA
LIFT ASSEMBLY



lift-rh.1piece_14

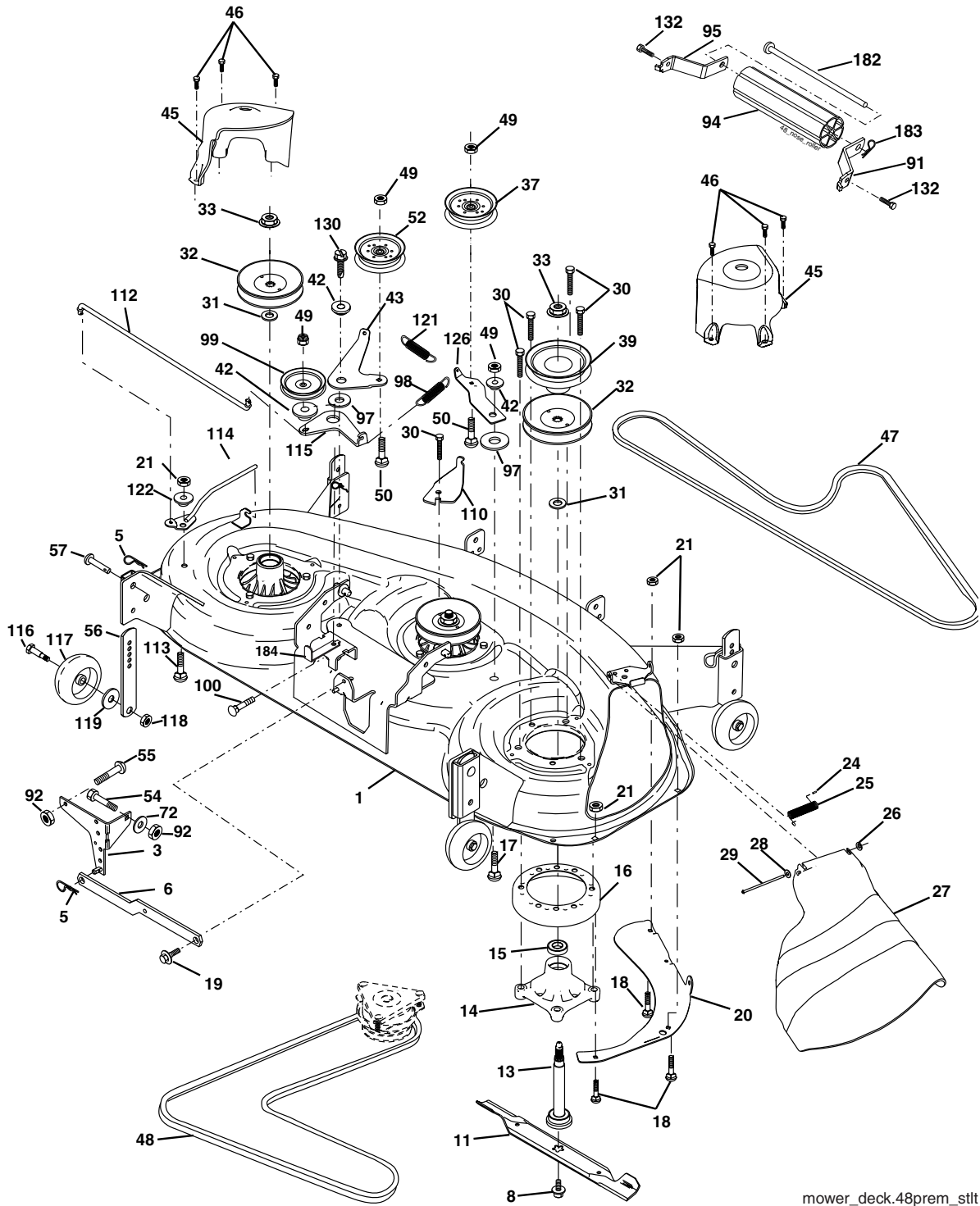
TRACTOR - - MODEL NUMBER CO24H48STA
LIFT ASSEMBLY

KEY NO.	PART NO.	DESCRIPTION
1	179504	Plunger Assembly
2	159476	Shaft Assembly, Lift
3	188822	Pin, Groove
4	12000002	E-Ring
5	19211621	Washer 21/32 x 1 x 21 Ga.
6	120183X	Bearing, Nylon
7	175830	Grip, Handle, Fluted
11	175370	Link, Lift, L.H.
12	175371	Link, Lift, R.H.
13	4939M	Retainer Spring
15	175562	Plate Asm Suspension Front
16	73350800	Nut Hex Jam 1/2-13 unc
17	175689	Trunnion Front Susp.
18	73800800	Nut Lock w/Wsh 1/2-13 unc
20	163552	Retainer Spring
31	176205	Trunion Sups. Arm.
32	175994	Nut Lift Link 7/16-20
36	155097	Pointer Height Indicator
37	123935X	Plug Hole
38	17060516	Screw 5/16-18 x 1
40	19112410	Washer 11/32 x 1-1/2 x 10 Ga.
41	155098	Indicator Height Stlt
49	145212	Nut Hex/Large Lock
51	19171416	Washer 17/32 x 7/8 x 16 Ga.
52	175378	Arm Suspension Rear LH
53	175802	Arm Suspension Rear RH
54	175560	Pin Flange

NOTE: All component dimensions given in U.S. inches
 1 inch = 25.4 mm

TRACTOR - - MODEL NUMBER CO24H48STA

MOWER DECK



mower_deck.48prem_stlt

TRACTOR - - MODEL NUMBER CO24H48STA

MOWER DECK

KEY NO.	PART NO.	DESCRIPTION	KEY NO.	PART NO.	DESCRIPTION
1	180358	Deck Weldment Mower 48	54	74780616	Bolt Fin Hex 3/8-16 unc x 1 Gr. 5
3	138017	Bracket Asm., Sway Bar	55	72140608	Bolt Rdhd Sqnk 3/8-16 unc x 1
5	4939M	Retainer Spring	56	155986	Bar Pnt Adj.
6	178024	Bar Sway Deck	57	156941	Pin Head Rivet
8	174365	Bolt 7/16 Asm. Blade (The following blades are available)	72	19131312	Washer 13/32 x 13/16 x 12 Ga.
11	173921	Blade, 48" Mulching (For mulching mowers only)	91	180535	Bracket Asm Noseroller RH
--	180054	Blade, 48" Hi-Lift (For bagging and discharging)	92	73800600	Nut Lock Hex w/Ins 3/8-16 unc
13	174360	Shaft Mandrel Asm. Greaseable	94	176066	Noseroller
14	174358	Housing Mandrel	95	180534	Bracket Asm Noseroller LH
15	110485X	Bearing, Ball, Mandrel	97	178515	Washer Hardened
16	174493	Stripper Mandrel Deck	98	179479	Spring Primary Drive
17	72110610	Bolt RDHD Sq Neck 3/8-16 x 1.25	99	184058	Pulley Idler"V"
18	72140505	Bolt, Carriage 5/16-18 x 5/8	100	72110616	Bolt RDHD Sqnk 3/8-16 unc x 2
19	132827	Bolt, Hex Hd, Shoulder 5/16-18	110	175016	Arm Spring Secondary
20	174378	Baffle, Vortex Mower	112	174387	Link Tension Relief Lever
21	73680500	Nut, Crownlock 5/16-18 unc	113	72110506	Bolt Carr. 5/16-18 x 3/4
24	105304X	Cap, Sleeve	114	174384	Tension Asm Relief Lever
25	178102	Spring, Torsion	115	174609	Arm Spring Tension Relief
26	110452X	Nut, Push	116	184219	Bolt, Shoulder
27	180655X428	Deflector Shield	117	174873	Gauge Wheel
28	19111016	Washer 11/32 x 5/8 x 16 Ga.	118	73930600	Nut, Centerlock 3/8-16 unc
29	131491	Rod, Hinge	119	19121414	Washer 3/8 x 7/8 x 14 Ga.
30	173984	Screw, Thdroll	121	174371	Spring Secondary Drive
31	187690	Washer, Spacer Mower Vented	122	174606	Bushing Pivot Tension Relief
32	173436	Pulley, Mandrel	126	174372	Arm, Idler, Primary Deck
33	178342	Nut, Flg. Top Lock Cntr. 9/16	130	17000616	Screw 3/8-16 x 1
37	177968	Pulley, Idler	132	17000612	Screw 3/8-16 x .75
39	174375	Pulley, Idler, Driven	182	179127	Rod Roller Nose
42	122052X	Spacer, Retainer	183	163552	Retainer Spring
43	174373	Arm, Idler Secondary	184	173979	Keeper Belt Idler
45	180806	Cover, Mandrel Deck	--	174356	Mandrel Asm. Service (Includes Key Nos. 13-15)
46	137729	Screw, Thdroll. 1/4-20 x 5/8	--	180939	Replacement Mower, Complete (Std. Deck - Order separately nose roller components key nos. 91, 94, 95, 132, 182, and 183)
47	180808	V-Belt, Mower, Secondary			
48	174368	V-Belt, Mower, Primary			
49	73900600	Nut, Crownlock 3/8-16 unc			
50	72110612	Bolt, Carr. 3/8-16 x 1-1/2 Gr. 5			
52	175820	Pulley Idler Flat			

NOTE: All component dimensions given in U.S. inches
1 inch = 25.4 mm