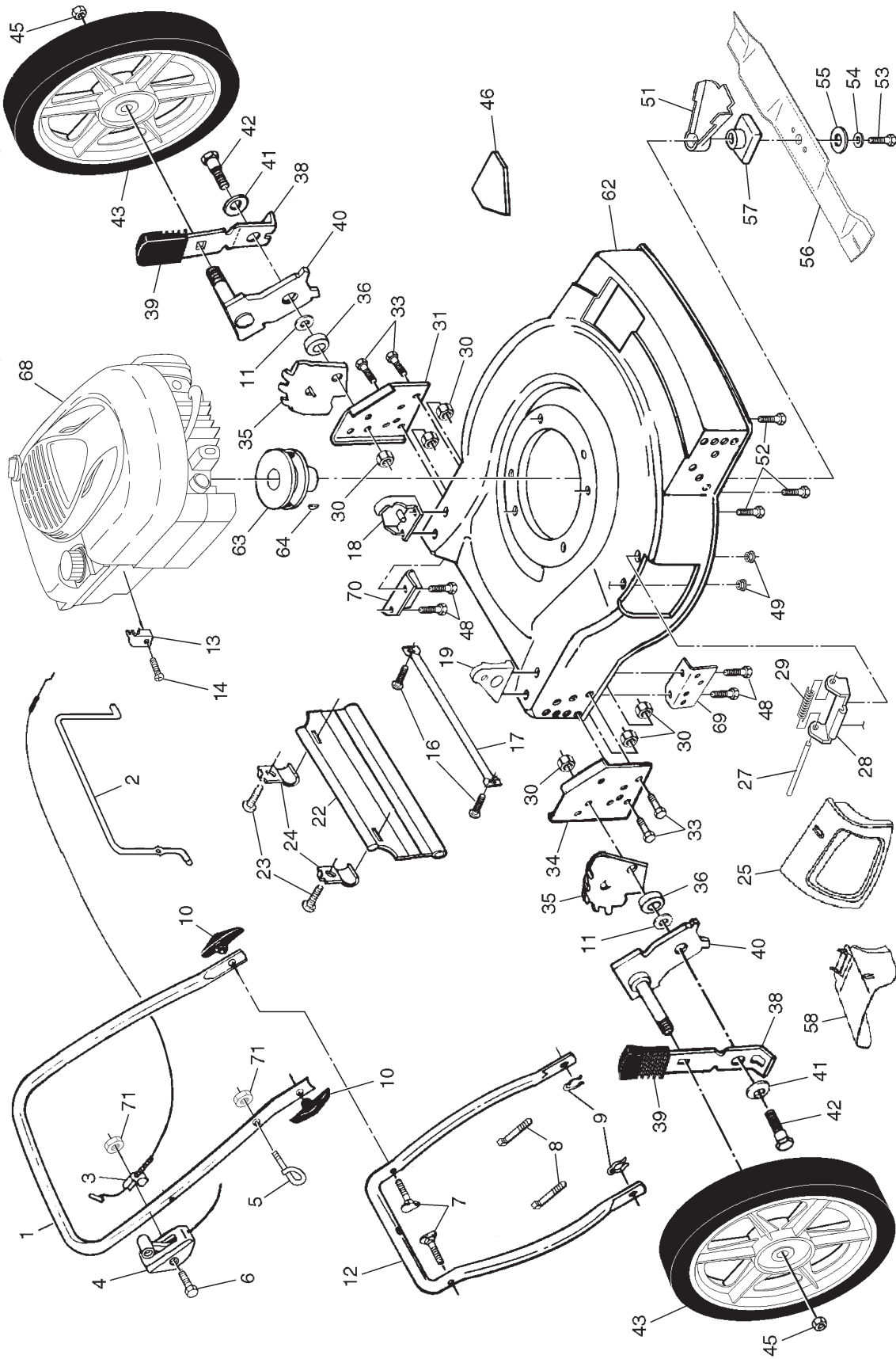


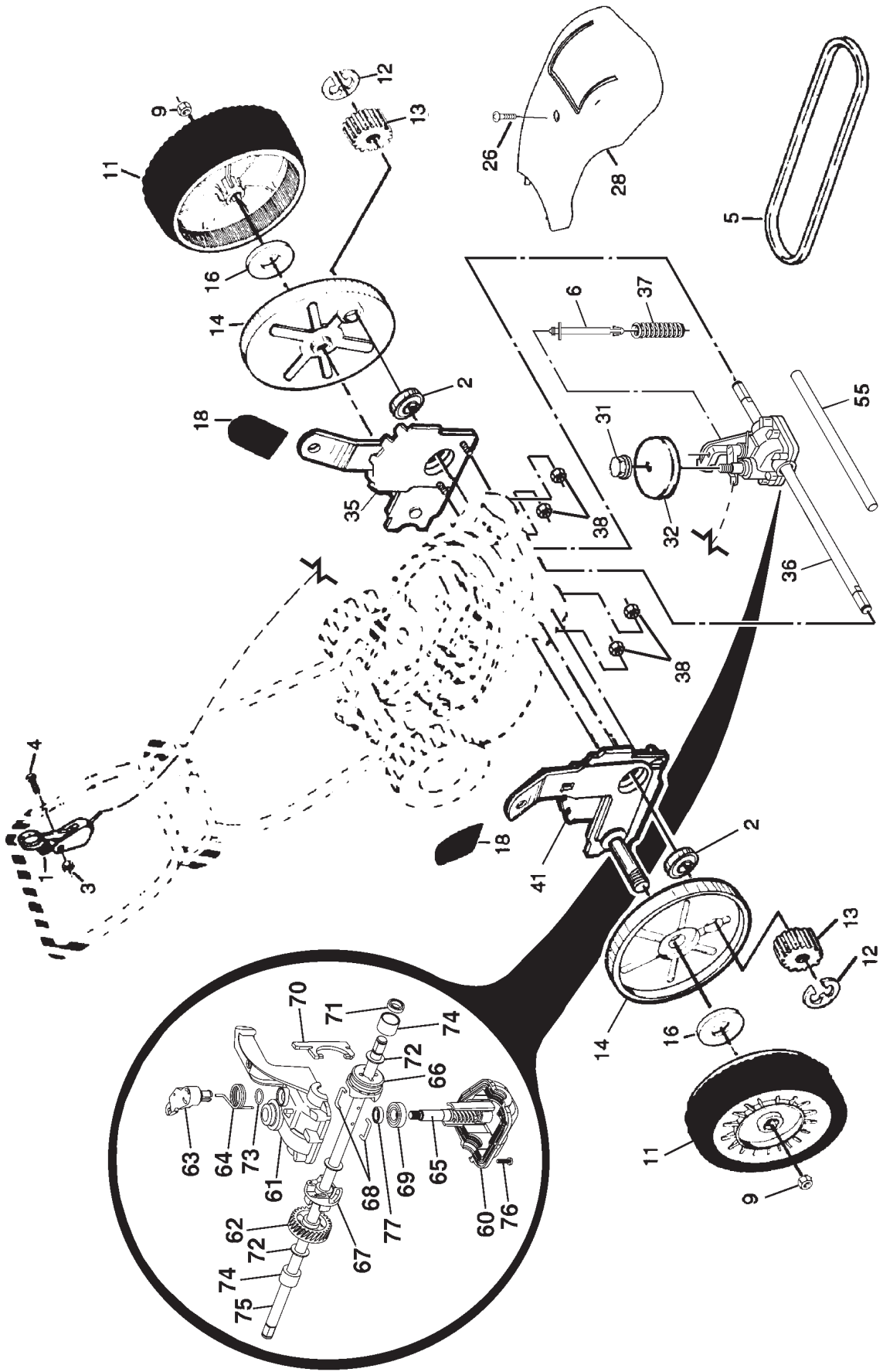
ROTARY LAWN MOWER -- MODEL NUMBER AG62522SH (AG62522SHA)



ROTARY LAWN MOWER -- MODEL NUMBER AG62522SH (AG62522SHA)

KEY NO.	PART NO.	DESCRIPTION	KEY NO.	PART NO.	DESCRIPTION
1	166860X479	Upper Handle	41	61651	Belleville Washer
2	146771	Control Bar	42	142748	Shoulder Bolt
3	149293	Engine Zone Control Cable	43	190013	Wheel & Tire Assembly
4	700417	Throttle Control	45	83923	Locknut, Hex 3/18-16
5	179585	Rope Guide	46	107339X	Decal, Danger
6	183365	Screw	48	149741	Screw, Thread Cutting 5/16-18 x 3/4
7	131959	Handle Bolt	49	73800400	Locknut, Hex
8	66426	Wire Tie	51	182002	Debris Shield
9	51793	Hairpin Cotter	52	150406	Screw, Hex Head, Threaded, Rolled 3/8-16 x 1-1/8
10	136376	Handle Knob	53	851084	Screw, Hex Head 3/8-24 x 1-3/8 (Grade 8)
11	88348	Washer, Flat 3/8	54	850263	Washer, Lock, Helical
12	151590X479	Lower Handle	55	851074	Washer, Hardened
13	111190X	Clamp	56	152202	Blade, 22"
14	83816	Screw	57	184590	Adapter, Blade
16	54583	Screw, Support Rod	58	176509	Deflector, Discharge
17	165175X479	Rod, Support	62	190341	Lawn Mower Housing (Includes Key Number 46)
18	170346X479	Handle Bracket Assembly, LH	63	184941	Pulley, Engine
19	170345X479	Handle Bracket Assembly, RH	64	187723	Hi-Pro Key
22	189008	Rear Deflector	68	---	Engine, Briggs & Stratton, Model Number 123K02 (For engine service and replacement parts, call Briggs & Stratton at 1-800-233-3723)
23	750097	Screw, Hex Washer Head #10-24 x 1/2	69	153350X479	Support Bracket, Handle, RH
24	87584X004	Bracket, Deflector	70	153282X479	Support Bracket, Handle, LH
25	151889	Mulcher Door	71	132004	Locknut, Keys
27	147286	Rod, Hinge	--	162300	Warning Decal (Not Shown)
28	154132	Bracket, Housing	--	172787	Operator's Manual, English
29	152124	Spring, Torsion	--	172789	Operator's Manual, Spanish
30	751592	Locknut, Hex	--	190018	Repair Parts Manual
31	700168X479	Support Bracket, LH	Available accessories not included with lawn mower:		
33	74760612	Bolt	--	GCK5000	Grass Catcher Assembly
34	700166X479	Support Bracket, RH	NOTE: All component dimensions given in U.S. inches. 1 inch = 25.4 mm		
35	750085X007	Bracket, Wheel Adjuster			
36	146630	Spacer			
38	700331X004	Spring, Selector			
39	87877	Knob, Selector			
40	180413X004	Axle Arm Assembly			

ROTARY LAWN MOWER -- MODEL NUMBER AG62522SH (AG62522SHA)



ROTARY LAWN MOWER - - MODEL NUMBER AG62522SH (AG62522SHA)

KEY NO.	PART NO.	DESCRIPTION	KEY NO.	PART NO.	DESCRIPTION
1	184588	Control Cable Assembly	41	152019	Kit, Wheel Adjuster, RH (Includes Knob and Bearing)
2	88058	Bearing, Wheel Adjuster	55	86012	Driveshaft Cover
3	191730	Nut, Hex, Flanged 1/4-20	60	183497	Case, Lower (Use Dow Corning #709 to reseal)
4	158755	Hex Washer Head Screw 1/4-20 x 2.12	61	183498	Case, Upper (Use Dow Corning #709 to reseal)
5	146527	V-Belt	62	183499	Gear, 27 Teeth
6	150495	Spring Retainer	63	183500	Lever, Clutch
9	145212	Locknut	64	183501	Spring, Return
11	180766	Wheel & Tire Assembly	65	183502	Shaft, Input
12	12000058	E-Ring	66	183503	Dog, Movable
13	137054	Pinion	67	183504	Dog, Fixed
14	180504	Dust Cover	68	183505	Wire, Formed
16	67725	Washer 1/2 x 1-1/2 x .134	69	183506	Bearing, Ball
18	87877	Selector Knob	70	183507	Fork, Shift
26	143603	Pan Head Tapping Screw #10-24 x 2-3/4	71	183508	Seal, Output Shaft
28	190705X428	Drive Cover	72	183509	Washer
31	132010	Hex Flange Nut	73	183510	Seal, Case
32	189407	Drive Pulley	74	183511	Bushing
35	152018	Kit, Wheel Adjuster, LH (Includes Knob and Bearing)	75	187521	Shaft, Output
36	187211	Gear Case Assembly, Complete	76	183513	Screw
37	137090	Spring	77	183514	Seal, Input Shaft
38	73800400	Locknut 1/4-20			

NOTE: All component dimensions given in U.S. inches.
1 inch = 25.4 mm