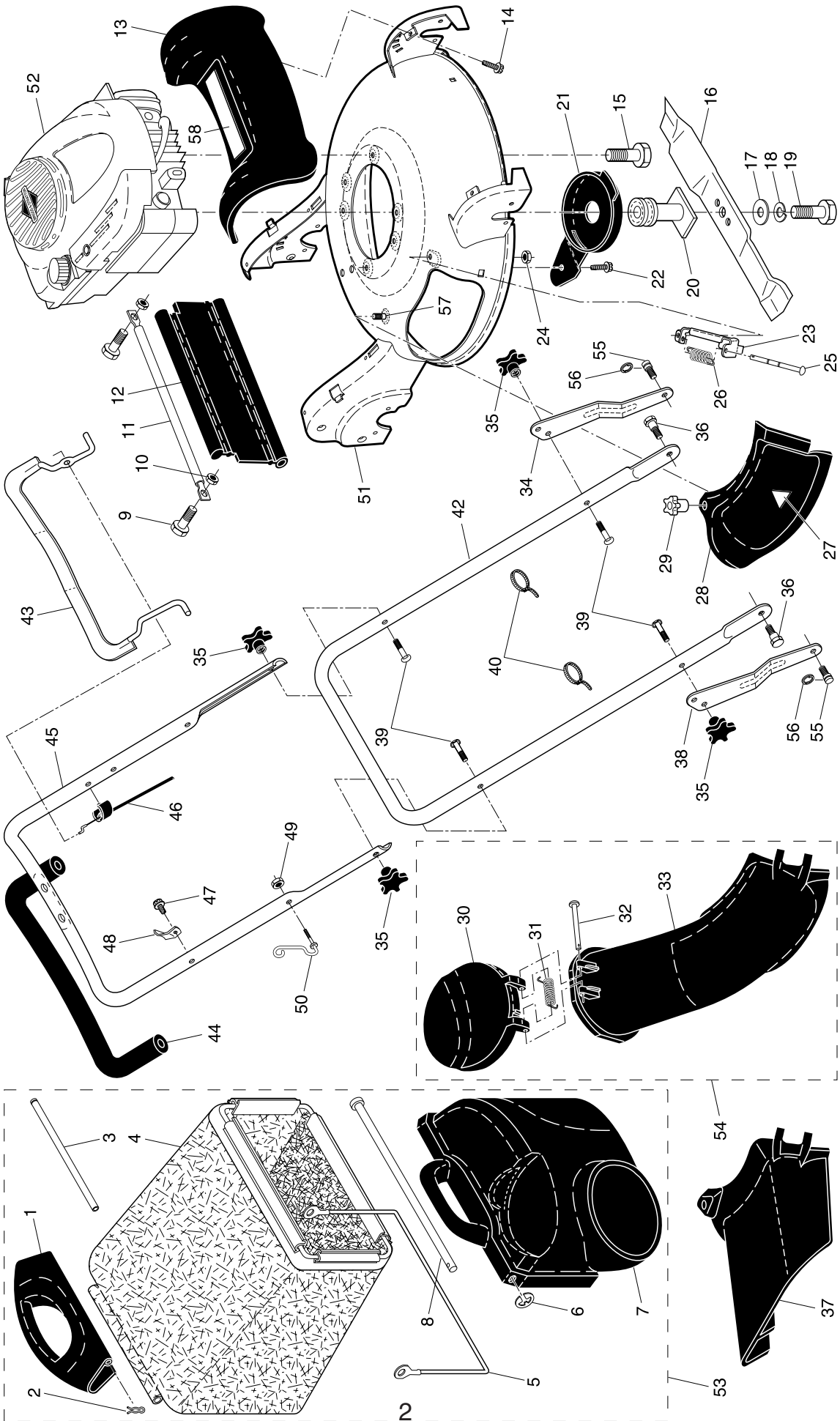


ROTARY LAWN MOWER - - MODEL NUMBER PR675HVP (MFG. ID. NUMBER 96142001500)

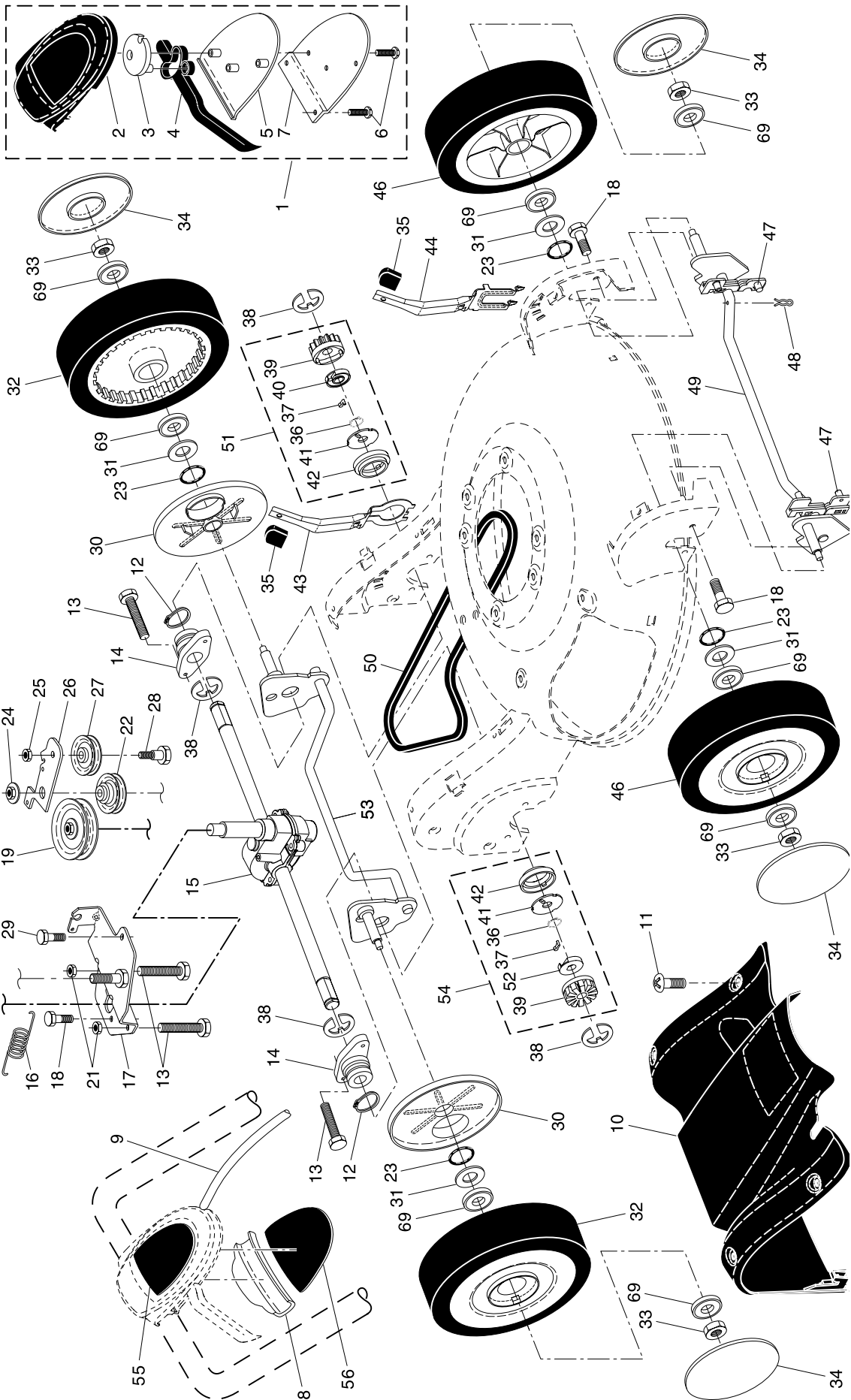


ROTARY LAWN MOWER - - MODEL NUMBER PR675HVP (MFG. ID. NUMBER 96142001500)

KEY NO.	PART NO.	DESCRIPTION	KEY NO.	PART NO.	DESCRIPTION
1	188505X418	Handle, Grassbag, Rear	33	188504X418	Discharge Chute, Plastic
2	65322	Hairpin Cotter	34	187063X479	Adjustment Bracket, Lower Handle, LH
3	183483	Rod, Rear Handle, Grassbag	35	195552	Knob, Star
4	196369	Grassbag	36	183465	Bolt, Shoulder
5	188506	Frame, Grassbag	37	185996	Deflector, Discharge
6	12000014	E-Ring	38	187064X479	Adjustment Bracket, Lower Handle, RH
7	188498X418	Door, Grassbag	39	191574	Bolt, Handle
8	183479	Rod, Pivot	40	66426	Wire Tie
9	72140405	Screw	42	183464X479	Handle Assembly, Lower
10	73800400	Nut, Hex	43	183474	Bail, Control
11	188359X479	Tube, Rear Skirt	44	182748	Grip, Foam
12	190815X428	Skirt, Rear	45	184576	Handle Assembly, Upper (Includes Foam Grip)
13	195158X418	Cover, Front	46	164322	Cable, Engine Zone Control
14	184572	Screw, Hex Washer Head	47	750634	Screw
15	150406	Bolt, Engine Mounting	48	86899X004	Bracket, Upstop
16	189028	Blade, 21"	49	132004	Locknut, Hex 1/4-20
17	851074	Washer, Hardened	50	188501	Rope Guide
18	850263	Washer, Lock	51	195147	Housing Assembly
19	191760	Screw, Hex Head, Grade 8	52	- - -	Engine, Briggs & Stratton, Model Number 125K02 (For engine service and replacement parts, call Briggs & Stratton at 1-800-233-3723)
20	186766	Adapter, Blade	53	196368	Grassbag Assembly, Complete (Consists of Key Numbers 1-8)
21	188510X428	Debris Shield	54	189014	Discharge Chute Assembly, Complete (Consists of Key Numbers 30-33)
22	17600406	Screw, Hex Head, Serrated	55	188628	Stud, Shoulder, T45
23	183609	Mounting Bracket, Mulcher Door	56	12000058	E-Ring, T45
24	751152	Nut, Hex	57	188634	Stud, Threaded
25	183445	Rod, Hinge	58	195624	Decal, Front Cover
26	183446	Spring, Mulcher Door	- -	162300	Decal, Warning (not shown)
27	107339X	Decal, Danger	- -	193733	Operator's Manual, English
28	188507X418	Mulcher Door	- -	193736	Operator's Manual, French
29	183447	Knob	- -	196367	Repair Parts Manual, English / French
30	188497X418	Door, Discharge Chute			
31	183478	Spring, Door, Discharge Chute			
32	183445	Rod, Door, Discharge Chute			

NOTE: All component dimensions given in U.S. inches. 1 inch = 25.4 mm. **IMPORTANT:** Use only Original Equipment Manufacturer (O.E.M.) replacement parts. Failure to do so could be hazardous, damage your lawn mower and void your warranty.

ROTARY LAWN MOWER - - MODEL NUMBER PR675HVP (MFG. ID. NUMBER 96142001500)



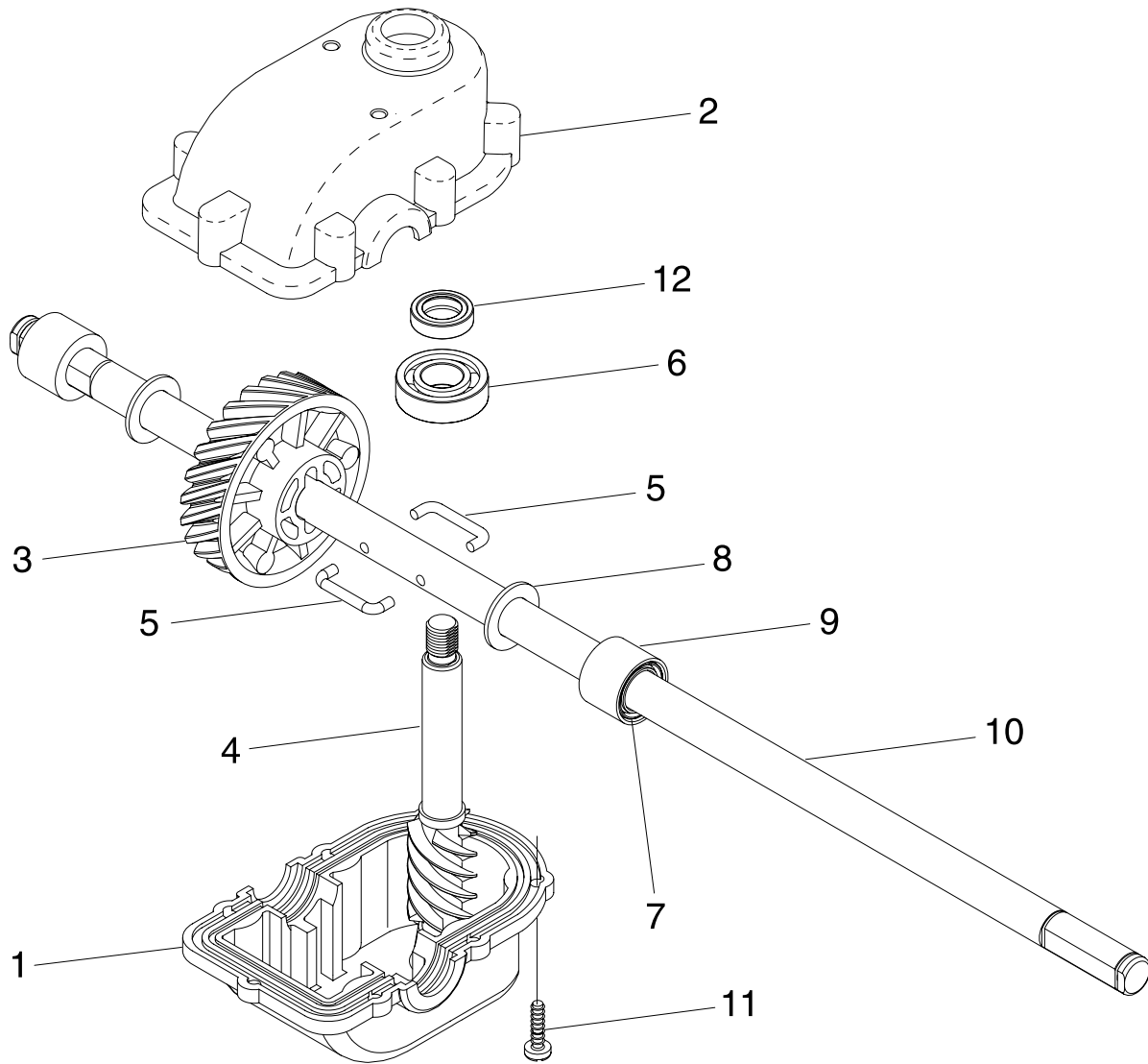
ROTARY LAWN MOWER - - MODEL NUMBER PR675HVP (MFG. ID. NUMBER 96142001500)

KEY NO.	PART NO.	DESCRIPTION	KEY NO.	PART NO.	DESCRIPTION
1	195145	Drive Control Assembly, Complete (Consists of Key Numbers 2 through 7)	29	17060410	Screw 1/4-20 x 1/16
2	188277	Cover, Drive Control, Top	30	183457	Cover, Dust, Wheel
3	187353	Pulley, Drive Control	31	88348	Washer, Flat 1/2
4	195747	Lever, Drive Control	32	192622	Wheel & Tire Assembly, Rear, Driven 9 x 2-1/4
5	188276	Cover, Drive Control, Bottom	33	83923	Nut, Hex
6	181698	Screw, Torx Head #8-5/8	34	183695X421	Hubcap
7	184212X479	Bracket, Mounting, Drive Control	35	183437X421	Knob
8	184987	Cap, Drive Control, Bottom	36	188291	Spring, Torsion
9	195145	Cable, Drive Control	37	175098	Pawl
10	188356X418	Cover Assembly, Drive	38	12000058	E-Ring
11	184571	Screw	39	175103	Gear
12	12000012	Ring, Retaining	40	175105	Retainer, Drive, LH
13	183450	Screw	41	175104	Disc, Drive
14	187120	Bearing / Axle Support	42	184172	Seal, Friction
15	188294	Gear Case Assembly (See Breakdown)	43	188508X004	Lever, Selector, Wheel Height, Rear
16	194124	Spring, Return	44	188509X004	Lever, Selector, Wheel Height, Front
17	194122X004	Bracket, Gear Case / Drive Pulley	46	192232	Wheel & Tire Assembly, Front 9 x 2-1/4
18	163409	Screw	47	183438	Bushing, Front Axle
19	194128	Pulley, Drive	48	169675	Retainer, Hairpin Cotter
21	132004	Nut, Hex	49	192431X004	Torque Shaft Assembly, Front
22	193791	Pulley Assembly, V-Groove	50	183688	Belt, Drive
23	188152	O-Ring	51	188331	Pinion Assembly, LH
24	145212	Nut, Hex, Flangelock	52	175102	Retainer, Drive, RH
25	73930500	Nut, Hex, Lock	53	192138X004	Rear Axle Assembly
26	194123X004	Idle Arm	54	188330	Pinion Assembly, RH
27	166043	Pulley, Idler	55	195175	Decal, Drive Control Operation
28	160829	Bolt, Hex Head, Shoulder	56	185913	Decal, Drive Control Adjustment (Bottom)
			69	751068	Bearing, Ball (Wheel)

NOTE: All component dimensions given in U.S. inches. 1 inch = 25.4 mm. **IMPORTANT:** Use only Original Equipment Manufacturer (O.E.M.) replacement parts. Failure to do so could be hazardous, damage your lawn mower and void your warranty.

**ROTARY LAWN MOWER - - MODEL NUMBER PR675HVP
GEAR CASE ASSEMBLY - PART NUMBER 188294**

**TONDEUSE À GAZON ROTATIVE - - NUMÉRO DE MODÈLE PR675HVP
ENSEMBLE DE LA BOÎTE DE VITESSE - NUMÉRO DE PIÈCE 188294**



KEY NO.	PART NO.	DESCRIPTION	DESCRIPTION
1	187530	Case, Lower	Moitié, Inférieur
2	191245	Case, Upper	Moitié, Supérieur
3	187532	Gear, 24 Teeth	Vitese, 24 Dents
4	191246	Shaft, Worm	Arbre à Vis Sans Fin
5	183505	Wireform	Fil à Pince
6	183506	Bearing, Ball	Palier
7	183508	Seal, Output Shaft	Joint d'étanchéité, Arbre d'entraînement
8	183509	Washer	Rondelle
9	183511	Bushing	Douille
10	191247	Shaft, Output	Arbre d'entraînement
11	183513	Screw	Vis
12	183514	Seal, Worm Shaft	Joint d'étanchéité, Arbre à Vis Sans Fin
--	750369	Grease, Texaco Starplex Premium 1 (Do not substitute) (1.4 ounce capacity)	Grease, "Texaco Starplex Premium 1" (N'utilisez aucun autre lubrifiant) (1.4 oz capacité)