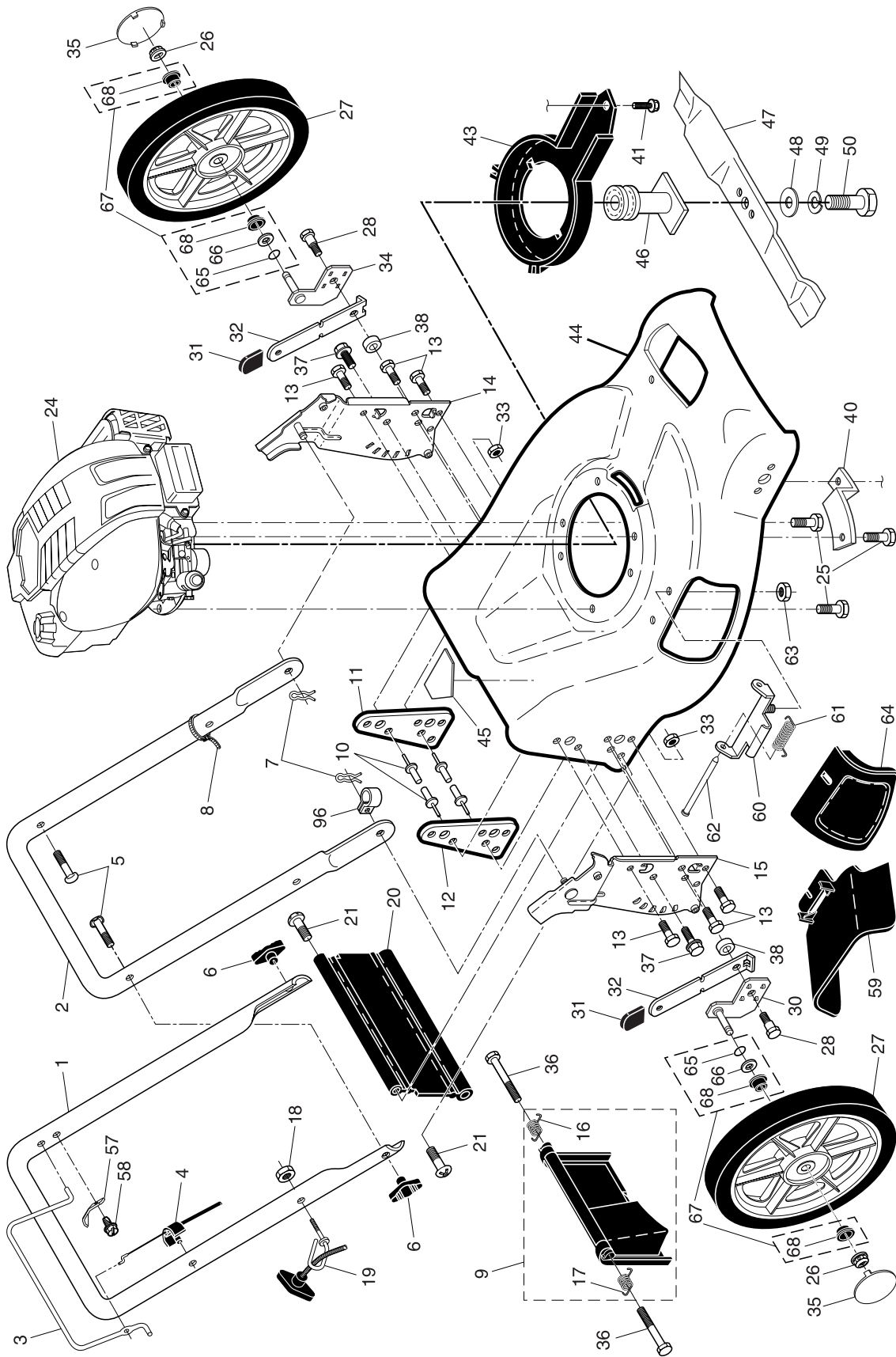


ROTARY LAWN MOWER -- MODEL NUMBER PR7Y21RHP (MFG. ID. NUMBER 96142001202)



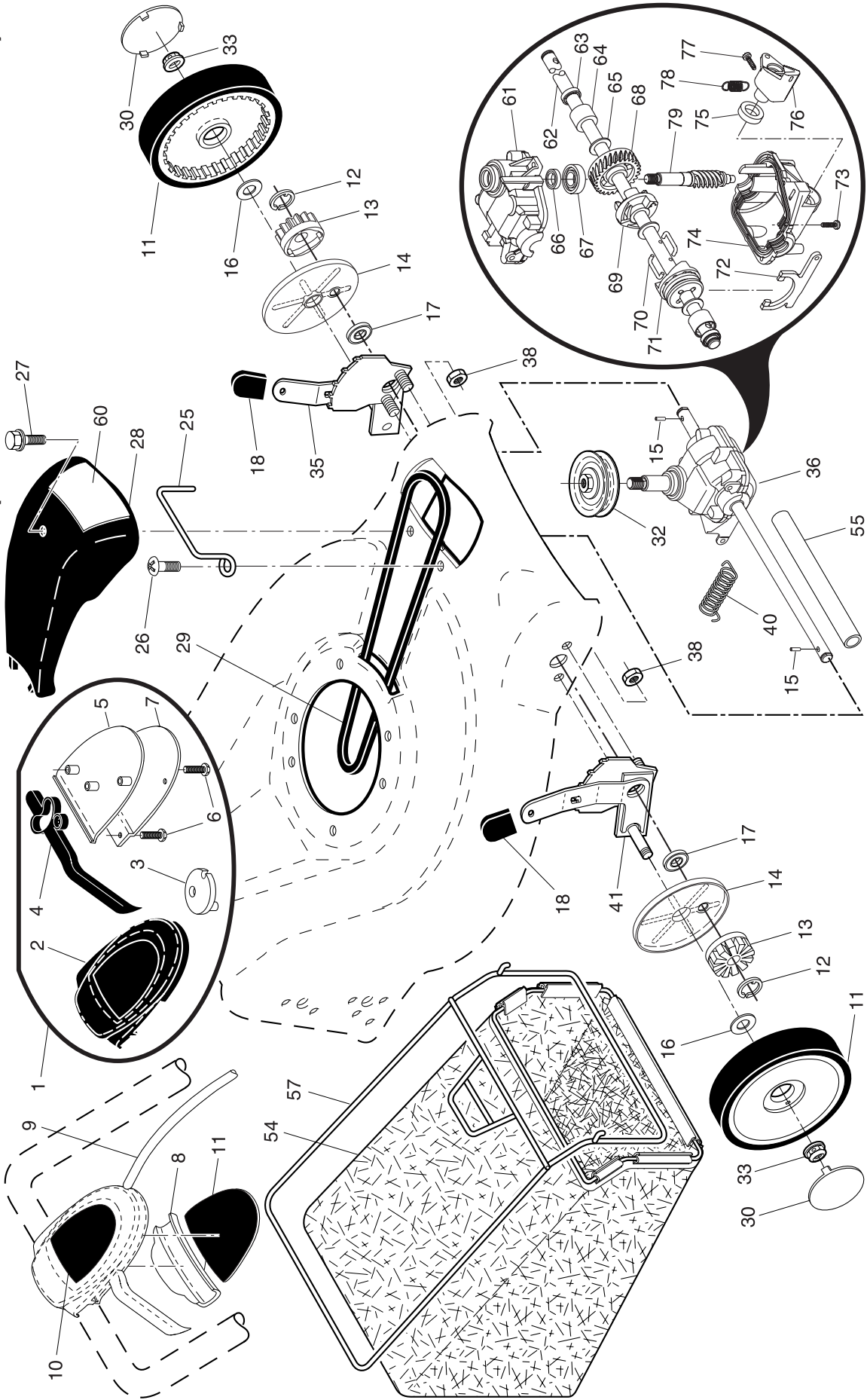
ROTARY LAWN MOWER -- MODEL NUMBER PR7Y21RHP (MFG. ID. NUMBER 96142001202)

KEY NO.	PART NO.	DESCRIPTION	KEY NO.	PART NO.	DESCRIPTION
1	194579X479	Upper Handle	33	73800500	Nut, Hex, Nylock 5/16-18
2	151721X479	Lower Handle	34	180412X004	Axle Arm Assembly, Rear, LH
3	194580X428	Control Bar	35	150635X428	Hubcap
4	183567	Engine Zone Control Cable	36	184193	Bolt, Rear Door
5	191574	Handle Bolt	37	150078	Thread Cutting Screw w/Sems 5/16-18 x 3/4
6	189713X428	Handle Knob	38	19112206	Washer, Flat .34 x 1.38
7	51793	Hairpin Cotter	40	188839X004	Mounting Bracket, Debris Shield
8	66426	Wire Tie	41	192325	Screw, Debris Shield
9	180479	Kit, Rear Door (Includes Key Numbers 16 and 17)	43	193668	Debris Shield
10	128415	Pop Rivet	44	176710	Kit, Housing (Includes Key Numbers 10, 11, 12 and 45)
11	175069X479	Support Bracket, LH	45	107339X	Danger Decal
12	175070X479	Support Bracket, RH	46	194037	Blade Adapter
13	17060410	Screw 1/4-20 x 5/8	47	189028	Blade, 21"
14	181017X428	Handle Bracket Assembly, LH	48	851074	Hardened Washer
15	181016X428	Handle Bracket Assembly, RH	49	850263	Helical Washer 3/8
16	180071	Spring, Rear Door, LH	50	851084	Blade Bolt, Hex Head, Grade 8
17	180072	Spring, Rear Door, RH	57	850733X004	Upstop Bracket
18	132004	Keps Locknut 1/4-20	58	750634	Screw #10-24 x 1/2
19	179585	Rope Guide	59	175071	Discharge Deflector
20	189005	Rear Skirt	60	175735	Hinge Bracket
21	88652	Hinge Screw 1/4-20 x 1-1/4	61	175285	Spring, Torsion
22	185005	Pulley, Engine	62	175650	Rod, Hinge
23	187723	Key, Hi-Pro	63	73800400	Nut, Hex
24	---	Engine, Briggs & Stratton, Model Number 12H602 (For engine service and replacement parts, call Briggs & Stratton at 1-800-233-3723)	64	175066	Mulcher Door
25	150406	Screw, Hex Head, Threaded, Rolled 3/8-16 x 2	65	188152	O-Ring
26	83923	Nut, Hex, Flangelock 3/8-16	66	88348	Washer, Flat 3/8
27	195630	Wheel & Tire Assembly, Rear, 14"	67	193498	Kit, Bushing, High Wheel
28	160828	Bolt, Shoulder 5/16-18	68	193028X428	Bushing, Nylon, Black
30	180411X004	Axle Arm Assembly, Rear, RH	96	192770	Clip, Cable
31	175478	Selector Knob	--	162300	Warning Decal (not shown)
32	175053X004	Selector Spring	--	193733	Operator's Manual, English
			--	193736	Operator's Manual, French
			--	196552	Repair Parts Manual, English / French

NOTE: All component dimensions given in U.S. inches. 1 inch = 25.4 mm.

IMPORTANT: Use only Original Equipment Manufacturer (O.E.M.) replacement parts. Failure to do so could be hazardous, damage your lawn mower and void your warranty.

ROTARY LAWN MOWER -- MODEL NUMBER PR7Y21RHP (MFG. ID. NUMBER 96142001202)



ROTARY LAWN MOWER - - MODEL NUMBER PR7Y21RHP (MFG. ID. NUMBER 96142001202)

KEY NO.	PART NO.	DESCRIPTION	KEY NO.	PART NO.	DESCRIPTION
1	196269	Drive Control Assembly (Includes Cable)	36	188296	Gear Case Assembly, Complete
2	195745	Cover, Top	38	73800400	Locknut 1/4-20
3	187353	Pulley	40	192849	Spring
4	195585	Lever	41	195357	Kit, Wheel Adjuster, RH (Includes Knob and Bearing)
5	195744	Cover, Bottom	54	194697	Grassbag Assembly
6	181698	Screw #8 x .62	55	175739	Driveshaft Cover
7	184212X479	Mounting Bracket	57	188815	Frame, Grassbag
8	184987	Cap, Bottom	61	196886	Case, Upper
9	196180	Cable, Drive	62	196885	Shaft, Output
10	195175	Decal, Drive Control Operation	63	183508	Seal, Output Shaft
11	185913	Decal, Drive Control Adjustment (back)	64	183511	Bushing
12	12000058	E-Ring	65	183509	Washer
13	750003	Pinion	66	183514	Seal, Worm Shaft
14	189403	Dust Cover	67	183506	Bearing, Ball
15	191017	Pawl, Drive	68	183499	Gear, 27 Teeth
16	67725	Washer 1/2 x 1-1/2 x .134	69	196884	Fixed Dog Clutch
17	167387	Bearing, Wheel Adjuster	70	183505	Wireform
18	170143	Selector Knob	71	196883	Movable Dog Clutch
25	193687X004	Keeper, Belt	72	196882	Fork
26	150078	Screw	73	183513	Screw, Case
27	175262	Pan Head Tapping Screw #10-24 x 2-3/4	74	196881	Case, Lower
28	180329	Drive Cover	75	196880	Seal, Lever
29	194149	V-Belt	76	196879	Lever
30	77400	Hubcap	77	196878	Screw, Lever
32	194018	Drive Pulley	78	196877	Spring
33	145212	Locknut	79	183502	Shaft, Worm
34	194854	Wheel & Tire Assembly, Front			
35	195354	Kit, Wheel Adjuster, LH (Includes Knob and Bearing)			

NOTE: All component dimensions given in U.S. inches. 1 inch = 25.4 mm.

IMPORTANT: Use only Original Equipment Manufacturer (O.E.M.) replacement parts. Failure to do so could be hazardous, damage your lawn mower and void your warranty.