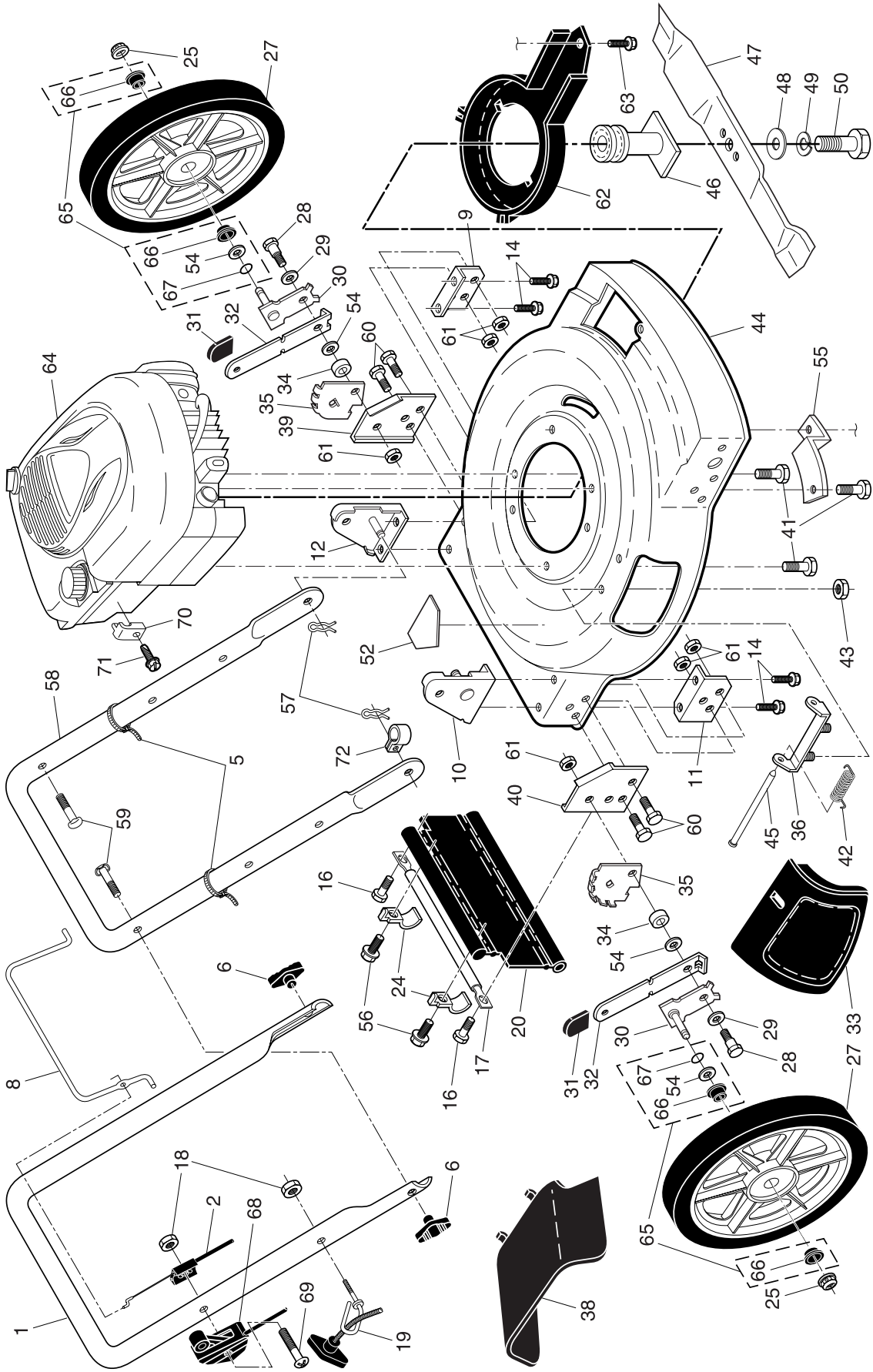


ROTARY LAWN MOWER -- MODEL NUMBER SO675Y22SH (MFG. ID. NUMBER 96122000200)



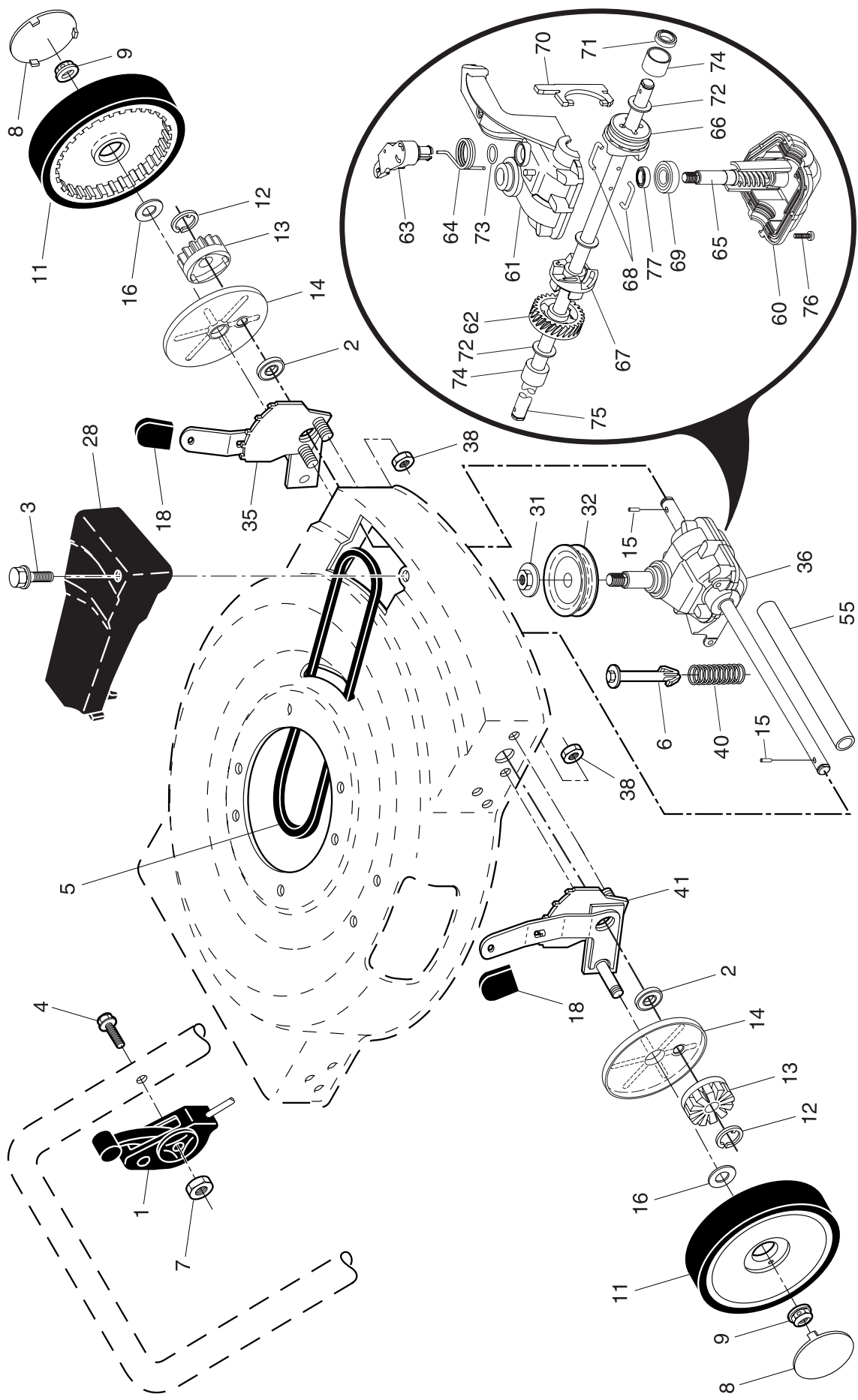
ROTARY LAWN MOWER - - MODEL NUMBER SO675Y22SH (MFG. ID. NUMBER 96122000200)

| KEY NO. | PART NO. | DESCRIPTION | KEY NO. | PART NO. | DESCRIPTION |
|---------|------------|--|---------|------------|--|
| 1 | 166860X479 | Upper Handle | 45 | 147286 | Rod, Hinge |
| 2 | 149293 | Engine Zone Control Cable | 46 | 189179 | Blade Adapter / Pulley |
| 5 | 66426 | Wire Tie | 47 | 192682 | Blade, 22" |
| 6 | 189713X428 | Handle Knob | 48 | 851074 | Washer, Hardened |
| 8 | 146771 | Control Bar | 49 | 850263 | Washer, Lock, Helical Spring |
| 9 | 153282X479 | Support Bracket, Handle, LH | 50 | 851084 | Screw, Hex Head 3/8-24 x 1-3/8 (Grade 8) |
| 10 | 170345X479 | Handle Bracket Assembly, RH | 52 | 141846 | Decal, Danger |
| 11 | 153350X479 | Support Bracket, Handle, RH | 54 | 88348 | Washer, Flat 3/8 |
| 12 | 170346X479 | Handle Bracket Assembly, LH | 55 | 188839X004 | Mounting Bracket, Debris Shield |
| 14 | 149741 | Screw, Thread Cutting 5/16-18 x 3/4 | 56 | 750097 | Screw, Hex Washer Head #10-24 x 1/2 |
| 16 | 54583 | Screw, Support Rod | 57 | 51793 | Hairpin Cotter |
| 17 | 165175X479 | Rod, Support | 58 | 151590X479 | Lower Handle |
| 18 | 132004 | Locknut, Keps 1/4-20 | 59 | 191574 | Handle Bolt |
| 19 | 179585 | Rope Guide | 60 | 74760612 | Bolt, Hex Head 3/8-16 x 3/4 |
| 20 | 189008 | Rear Deflector | 61 | 751592 | Locknut, Hex 3/8-16 |
| 24 | 87584X004 | Bracket, Deflector | 62 | 188784 | Debris Shield |
| 25 | 83923 | Locknut, Hex 3/18-16 | 63 | 192325 | Screw |
| 27 | 190013 | Wheel & Tire Assembly, Rear, 14" | 64 | --- | Engine, Briggs & Stratton, Model Number 125K02 |
| 28 | 142748 | Bolt, Shoulder 3/8-16 x 1 | | | (For engine service and replacement parts, call Briggs & Stratton at 1-800-233-3723) |
| 29 | 61651 | Belleville Washer | 65 | 193498 | Kit, Bushing, High Wheel |
| 30 | 180413X004 | Axle Arm Assembly | 66 | 193028X428 | Bushing, Nylon, Black |
| 31 | 87877 | Knob, Selector | 67 | 188152 | O-Ring |
| 32 | 700331X004 | Spring, Selector | 68 | 700417 | Throttle Control |
| 33 | 151889 | Mulcher Door | 69 | 183365 | Screw |
| 34 | 146630 | Spacer | 70 | 111190X | Clamp, Cable |
| 35 | 750085X007 | Bracket, Wheel Adjuster | 71 | 83816 | Screw, Cable Clamp |
| 36 | 154132 | Bracket, Housing | 72 | 192770 | Clip, Cable |
| 38 | 176509 | Deflector, Discharge | -- | 161058 | Warning Decal (not shown) |
| 39 | 700168X479 | Support Bracket, LH | -- | 193733 | Operator's Manual, English |
| 40 | 700166X479 | Support Bracket, RH | -- | 193735 | Operator's Manual, Spanish |
| 41 | 150406 | Screw, Hex Head, Threaded, Rolled 3/8-16 x 1-1/8 | -- | 195611 | Repair Parts Manual |
| 42 | 152124 | Spring, Torsion | | | |
| 43 | 73800400 | Locknut, Hex 1/4-20 | | | |
| 44 | 195614 | Lawn Mower Housing (Includes Key Number 52) | | | |

NOTE: All component dimensions given in U.S. inches.
1 inch = 25.4 mm

IMPORTANT: Use only Original Equipment Manufacturer (O.E.M.) replacement parts. Failure to do so could be hazardous, damage your lawn mower and void your warranty.

ROTARY LAWN MOWER -- MODEL NUMBER SO675Y22SH (MFG. ID. NUMBER 96122000200)



ROTARY LAWN MOWER - - MODEL NUMBER SO675Y22SH (MFG. ID. NUMBER 96122000200)

| KEY NO. | PART NO. | DESCRIPTION | KEY NO. | PART NO. | DESCRIPTION |
|---------|------------|---|---------|----------|---|
| 1 | 184588 | Control Cable Assembly | 41 | 195107 | Kit, Wheel Adjuster, RH (Includes Knob and Bearing) |
| 2 | 88058 | Bearing, Wheel Adjuster | 55 | 86012 | Driveshaft Cover |
| 3 | 143603 | Pan Head Tapping Screw #10-24 x 2-3/4 | 60 | 183497 | Case, Lower (Use Dow Corning #709 to reseat) |
| 4 | 158755 | Hex Washer Head Screw 1/4-20 x 2.12 | 61 | 183498 | Case, Upper (Use Dow Corning #709 to reseat) |
| 5 | 146527 | V-Belt | 62 | 183499 | Gear, 27 Teeth |
| 6 | 150495 | Spring Retainer | 63 | 183500 | Lever, Clutch |
| 7 | 191730 | Nut, Hex, Flanged 1/4-20 | 64 | 183501 | Spring, Return |
| 8 | 77400 | Hubcap | 65 | 183502 | Shaft, Input |
| 9 | 145212 | Locknut | 66 | 183503 | Dog, Movable |
| 11 | 180776 | Wheel & Tire Assembly | 67 | 183504 | Dog, Fixed |
| 12 | 12000058 | E-Ring | 68 | 183505 | Wire, Formed |
| 13 | 750003 | Pinion | 69 | 183506 | Bearing, Ball |
| 14 | 189403 | Dust Cover | 70 | 183507 | Fork, Shift |
| 15 | 191017 | Pawl, Drive | 71 | 183508 | Seal, Output Shaft |
| 16 | 67725 | Washer 1/2 x 1-1/2 x .134 | 72 | 183509 | Washer |
| 18 | 87877 | Selector Knob | 73 | 183510 | Seal, Case |
| 28 | 194398X428 | Drive Cover | 74 | 183511 | Bushing |
| 31 | 132010 | Hex Flange Nut | 75 | 196561 | Shaft, Output |
| 32 | 189407 | Drive Pulley | 76 | 183513 | Screw |
| 35 | 195110 | Kit, Wheel Adjuster, LH (Includes Knob and Bearing) | 77 | 183514 | Seal, Input Shaft |
| 36 | 194936 | Gear Case Assembly, Complete | | | |
| 38 | 73800400 | Locknut, Hex 1/4-20 | | | |
| 40 | 137090 | Spring | | | |

NOTE: All component dimensions given in U.S. inches.
1 inch = 25.4 mm

IMPORTANT: Use only Original Equipment Manufacturer (O.E.M.) replacement parts. Failure to do so could be hazardous, damage your lawn mower and void your warranty.