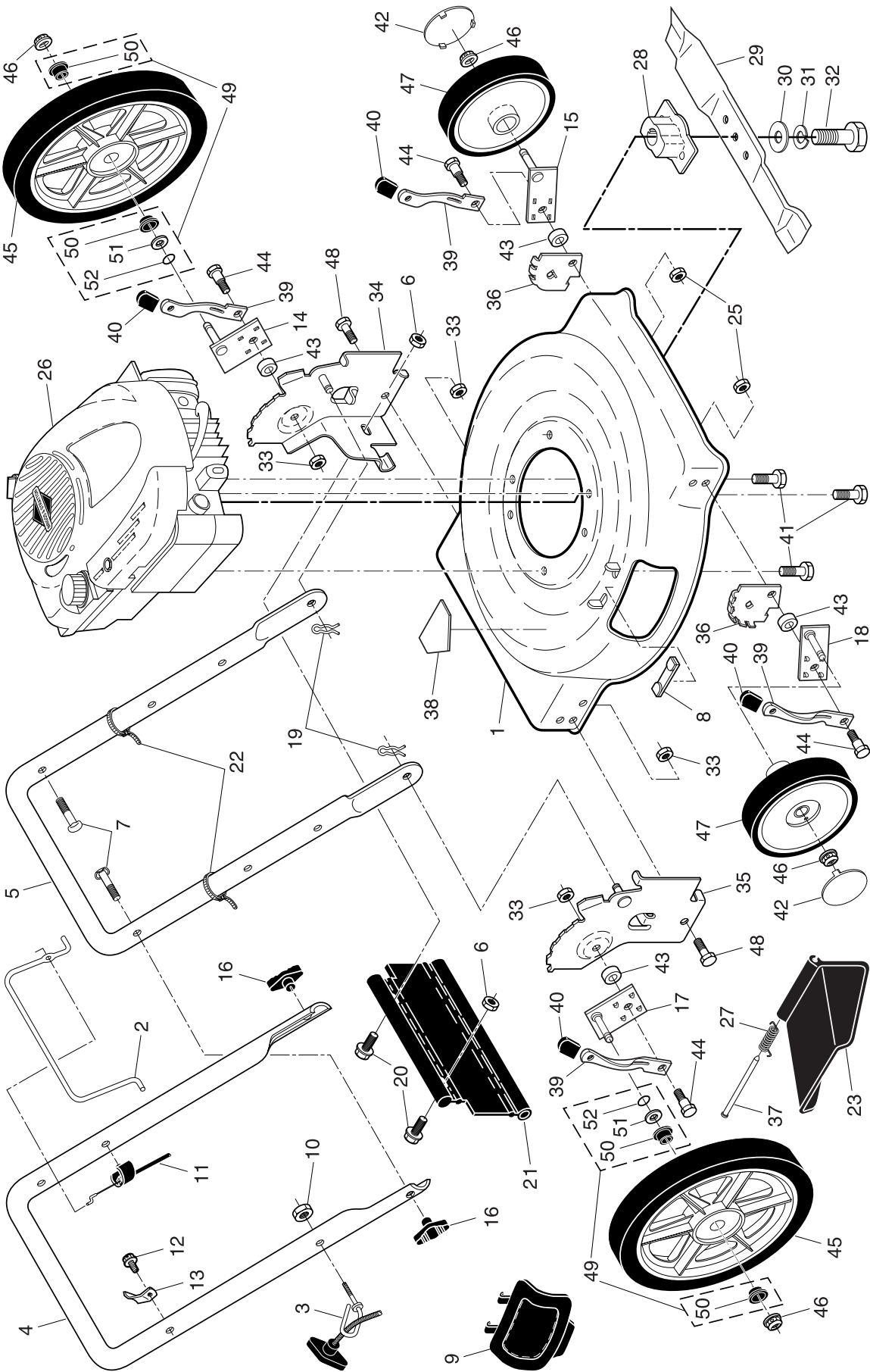


**ROTARY LAWN MOWER -- MODEL NUMBER PR675N22SH (MFG. ID. NUMBER 96112001500)**



**ROTARY LAWN MOWER - - MODEL NUMBER PR675N22SH (MFG. ID. NUMBER 96112001500)**

KEY NO.	PART NO.	DESCRIPTION	KEY NO.	PART NO.	DESCRIPTION
1	165187	Lawn Mower Housing (Includes Key Number 38)	28	184590	Blade Adapter
2	194177X428	Control Bar	29	141114	22" Blade
3	195585	Rope Guide	30	851074	Hardened Washer
4	194179X479	Upper Handle	31	850263	Helical Lockwasher 3/8
5	169708X479	Lower Handle	32	851084	Screw, Hex Head 3/8-24 x 1-3/8 (Grade 8)
6	73800400	Locknut, Hex 1/4-20	33	73800500	Nut, Hex, Nylock 5/16-18
7	191574	Handle Bolt 5/16-18	34	170373X479	Wheel Bracket Support, LH
8	161622	Clip, Closeout	35	170374X479	Wheel Bracket Support, RH
9	160830	Plate, Mulcher	36	160835X007	Wheel Bracket Adjuster
10	132004	Locknut, Hex 1/4-20	37	160833	Hinge Rod
11	176556	Engine Zone Control Cable	38	107339X	Danger Decal
12	750634	Hex Washer Head Screw #10-24 x 1/2	39	168360X004	Selector Spring
13	86899X004	Up-Stop Bracket	40	170143	Selector Knob
14	180409X004	Axle Arm Assembly, Rear, LH	41	150406	Hex Head Thread Rolling Screw 3/8-16 x 1
15	186577X004	Axle Arm Assembly, Front, LH	42	77400	Hubcap, Front Wheel
16	189713X428	Handle Knob	43	183901	Spacer
17	180410X004	Axle Arm Assembly, Rear, RH	44	160828	Shoulder Bolt 5/16-18
18	186578X004	Axle Arm Assembly, Front, RH	45	181383	Wheel Assembly, Rear, 14"
19	51793	Hairpin Cotter	46	83923	Nut, Hex, Flangelock 3/8-16
20	74760412	Screw, Hex Cap Head 1/4-20	47	170262	Wheel Assembly, Front, 8"
21	189008	Rear Deflector	48	74760514	Hex Head Bolt 5/16-18
22	66426	Wire Tie	49	193498	Kit, Bushing, High Wheel
23	160831	Discharge Guard	50	193028X428	Bushing, Nylon, Black
25	166785	Nut, Hex, Flangelock 5/16-18	51	88348	Washer, Flat 3/8
26	---	Engine, Briggs & Stratton, Model Number 125K02 (For engine service and replacement parts, call Briggs & Stratton at 1-800-233-3723)	52	188152	O-Ring
27	193436	Torsion Spring	--	162300	Warning Decal (not shown)
			--	193732	Operator's Manual, English
			--	193734	Operator's Manual, French
			--	195082	Repair Parts Manual, English / French

**NOTE:** All component dimensions given in U.S. inches. 1 inch = 25.4 mm. **IMPORTANT:** Use only Original Equipment Manufacturer (O.E.M.) replacement parts. Failure to do so could be hazardous, damage your lawn mower and void your warranty.