

# **ILLUSTRATED PARTS LIST**

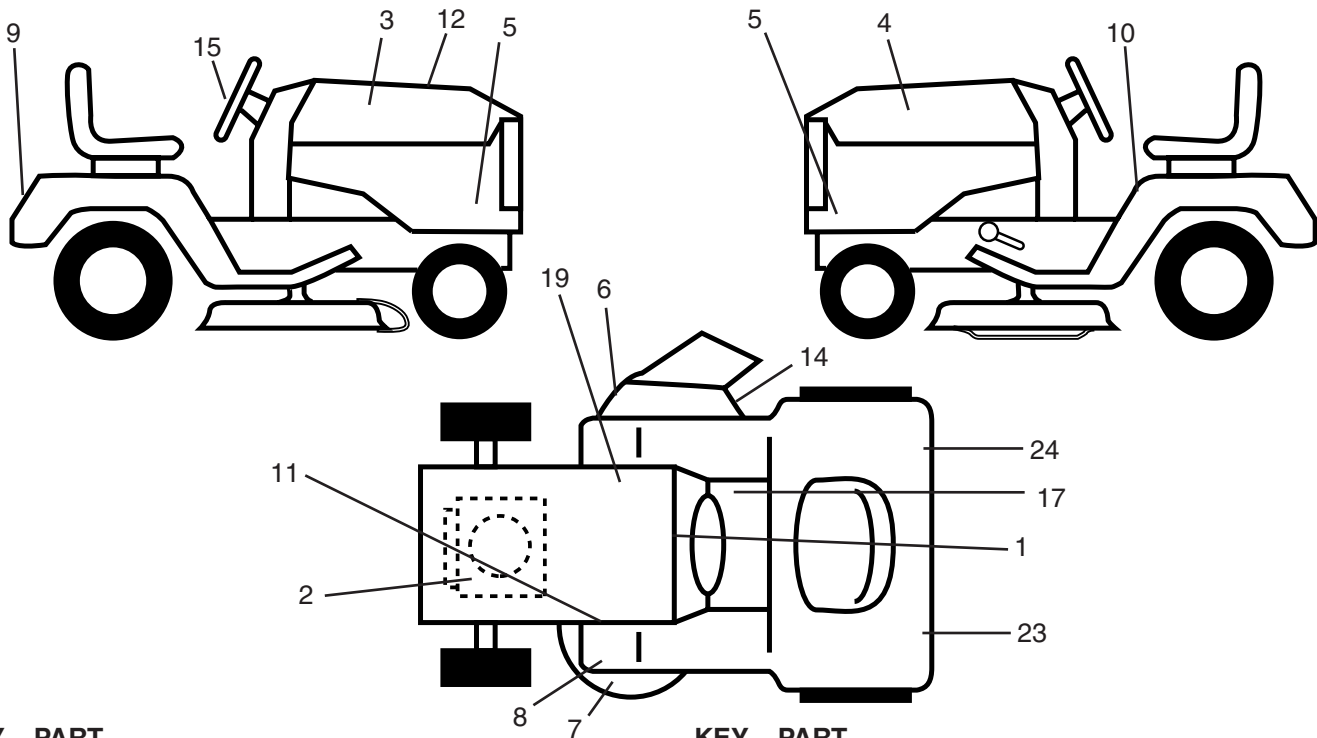
**MODEL NO. 96022000101**

**CUSTOMER CATALOG NO. PKGTH2554**

# REPAIR PARTS

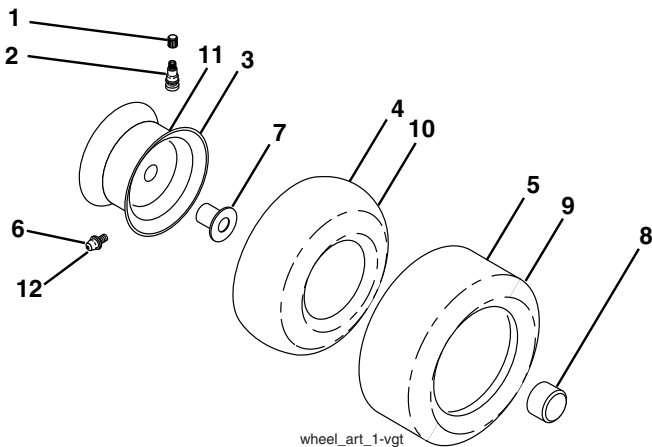
## TRACTOR - MODEL NUMBER PKGTH2554 (96022000101)

### DECALS



KEY NO.	PART NO.	DESCRIPTION	KEY NO.	PART NO.	DESCRIPTION
1	194750	Decal, Dash	14	188298	Decal, V-Belt Schematic
3	176272	Decal, Hood, RH	15	172743	Decal, Ins. Whl. Strg.
4	176273	Decal, Hood, LH	17	140837	Decal, Saddle Brake Parking
5	194721	Decal, Hood Sides	19	145005	Decal, Battery
6	170563	Decal, Warning	23	173589	Reflector, LH
7	193063	Decal, Upstop	24	173587	Reflector, RH
8	178502	Decal, Deck Caution	--	166960	Decal, Bypass
9	172740	Decal	--	179769X428	Pad Footrest RH
10	157140	Decal, Danger	--	179768X428	Pad Footrest LH
11	181253	Ft. Rest	--	193921	Manual, Operator's E&F
12	194712	Decal, Repl.	--	<b>196605</b>	Manual, Parts E&F

### WHEELS & TIRES

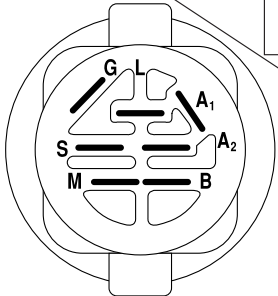
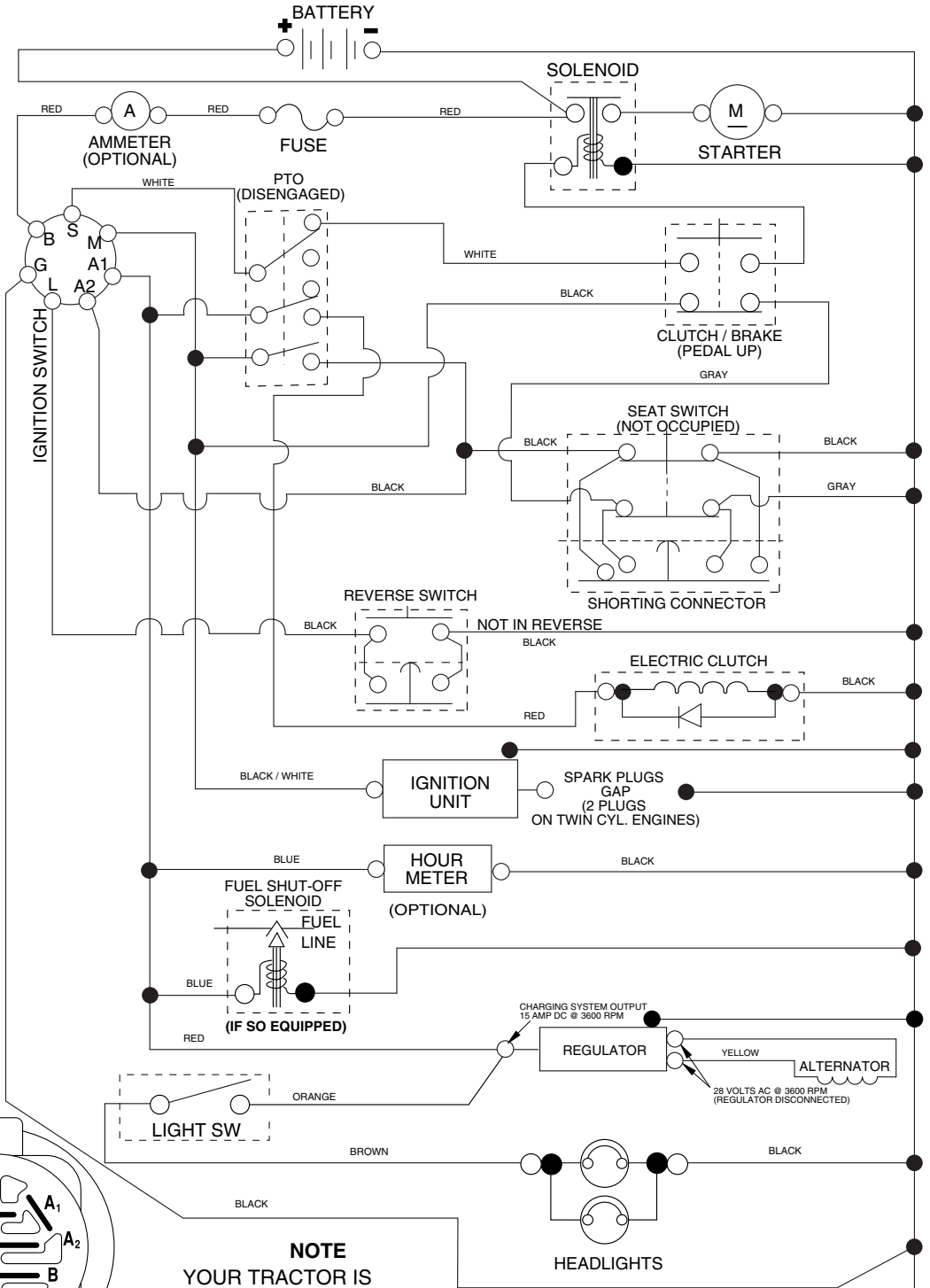


KEY NO.	PART NO.	DESCRIPTION
1	59192	Cap, Valve, Tire
2	65139	Stem, Valve
3	106228X421	Rim Assembly, Front
4	8134H	Tube, Front (Service Item Only)
5	106230X	Tire, Front
6	278H	Fitting, Grease (Front Wheel nly)
7	9040H	Bearing, Flange (Front Wheel Only)
8	104757X421	Cap, Axle (Front Wheel Only)
9	105588X	Tire, Rear
10	7154J	Tube, Rear (Service Item Only)
11	106277X421	Rim Assembly, Rear
12	6856M	Fitting, Grease
--	144334	Sealant, Tire (10 oz. Tube)

**NOTE:** All component dimensions given in U.S. inches  
1 inch = 25.4 mm

**TRACTOR - MODEL NUMBER PKGTH2554 (96022000101)**

**SCHEMATIC**



**IGNITION SWITCH**

POSITION	CIRCUIT "MAKE"
OFF	M+G+A1
RUN/OVERRIDE	B+A1
RUN	B+A1 L+A2
START	B + S + A1

02846

**NOTE**  
 YOUR TRACTOR IS EQUIPPED WITH A SPECIAL ALTERNATOR SYSTEM. THE LIGHTS ARE NOT CONNECTED TO THE BATTERY, BUT HAVE THEIR OWN ELECTRICAL SOURCE. BECAUSE OF THIS, THE BRIGHTNESS OF THE LIGHTS WILL CHANGE WITH ENGINE SPEED. AT IDLE THE LIGHTS WILL DIM. AS THE ENGINE IS SPEEDED UP, THE LIGHTS WILL BECOME THEIR BRIGHTEST.

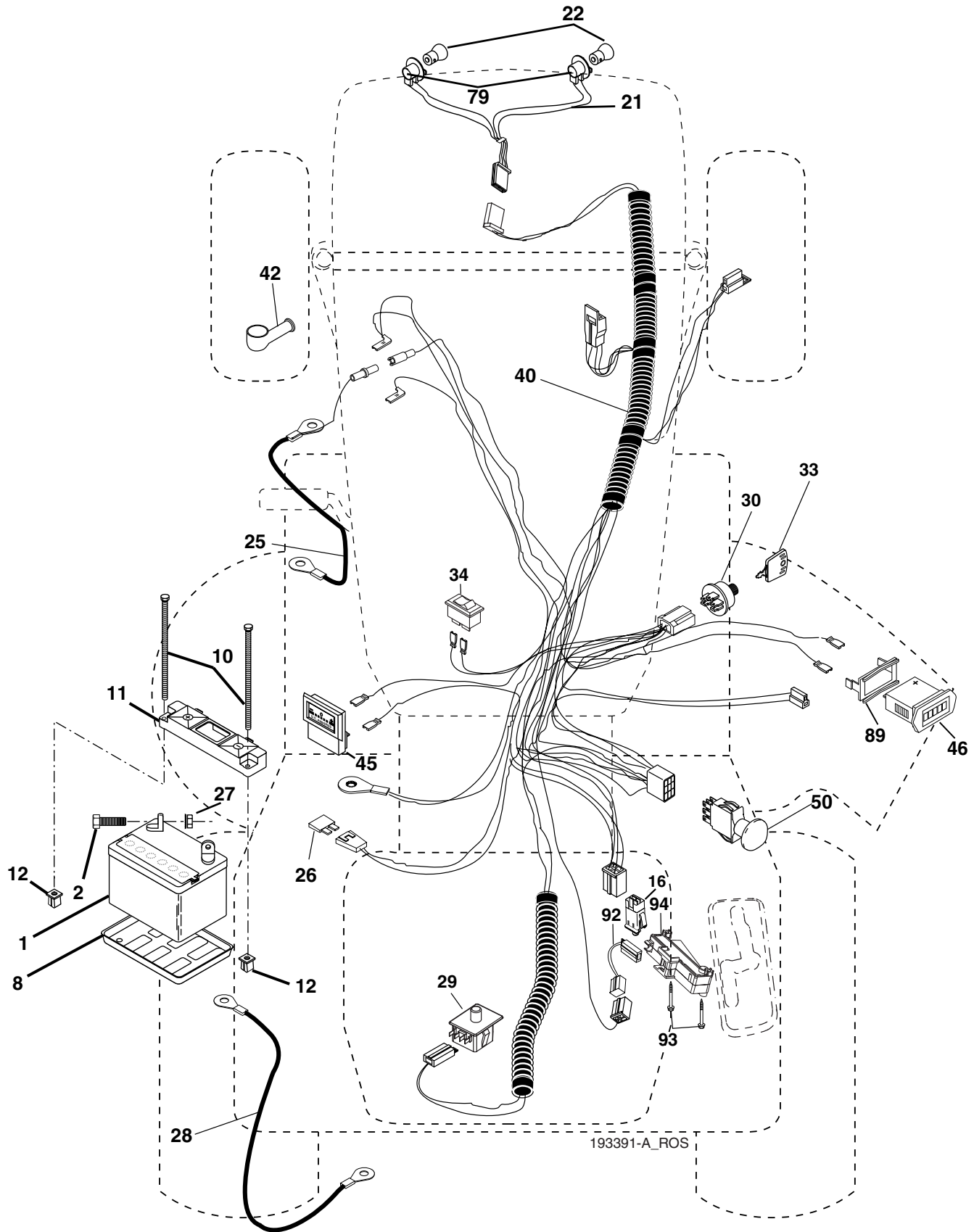


**WIRING INSULATED CLIPS**  
**NOTE:** IF WIRING INSULATED CLIPS WERE REMOVED FOR SERVICING OF UNIT, THEY SHOULD BE REPLACED TO PROPERLY SECURE YOUR WIRING.

# REPAIR PARTS

## TRACTOR - MODEL NUMBER PKGTH2554 (96022000101)

### ELECTRICAL



# REPAIR PARTS

## TRACTOR - MODEL NUMBER PKGTH2554 (96022000101)

### ELECTRICAL

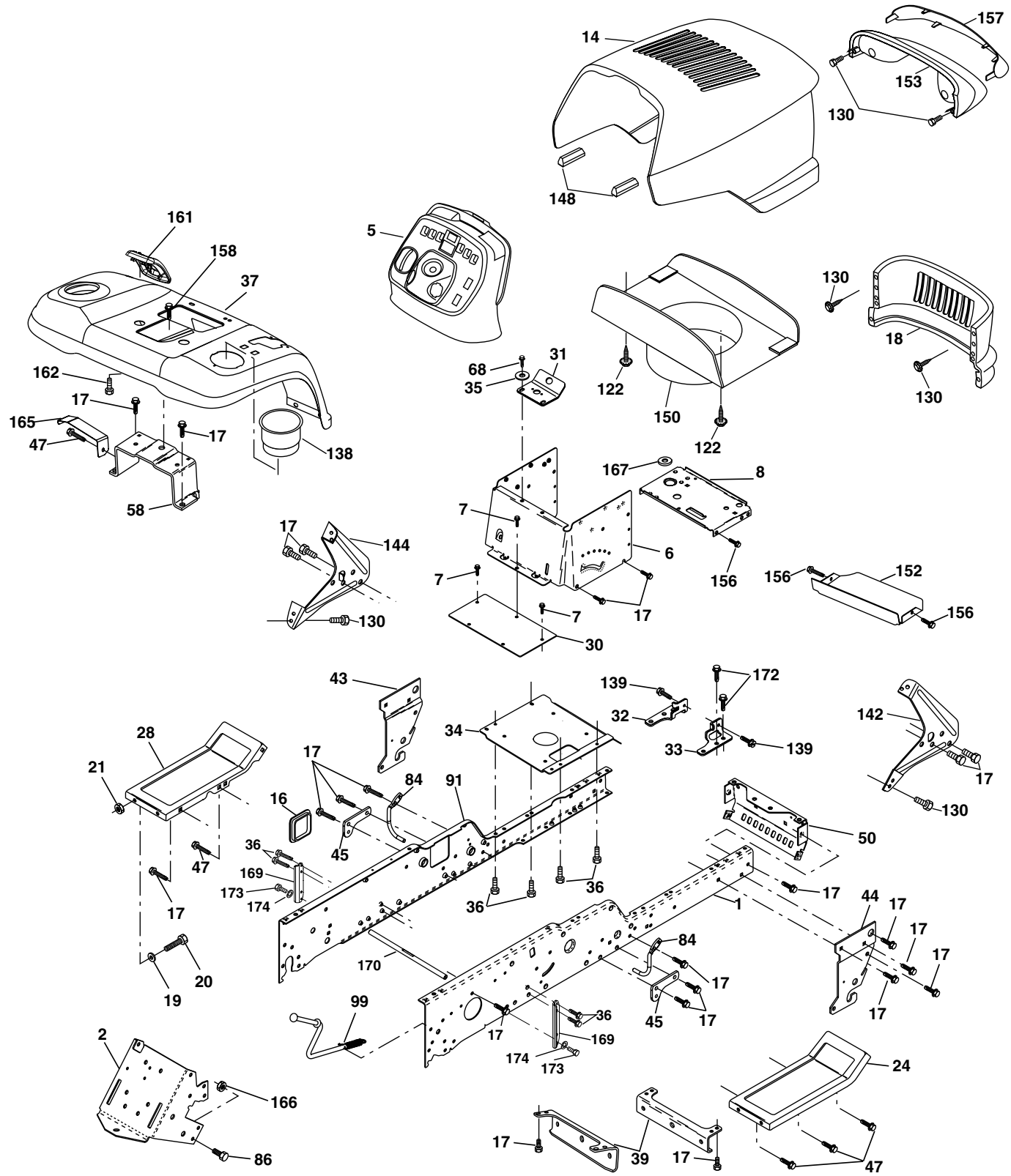
KEY NO.	PART NO.	DESCRIPTION
1	144927	Battery
2	74760412	Bolt Hex Head 1/4-20 x 3/4
8	7603J	Tray, Battery
10	145211	Bolt Btr Frt 1/4-20 x 7.5 zinc
11	150109	Holdown Battery Front Mount
12	145769	Nut Push Nylon 1/4"
16	176138	Switch Interlock Push-In
21	175688	Harness Headlight w/Bulbs
22	4152J	Bulb Light
25	185456	Cable, Battery
26	108824X	Fuse
27	73510400	Nut Keps Hex 1/4-20 unc
28	170697	Cable, Ground
29	192749	Switch, Seat
30	193350	Switch, Ign
33	140401	Key
34	110712X	Switch Light/Reset
40	193391	Harness, Ignition
42	154336	Cover, Terminal
45	122822X	Ammeter
46	169635	Hourmeter Snap-In
50	174653	Switch, PTO
79	175242	Socket, Light Bulb
89	169639	Bracket Snap-In
92	193465	Harness Pigtail Reverse Switch
93	192540	Screw Plastite 10-14 x 2.0
94	191834	Module Reverse ROS

**NOTE:** All component dimensions given in U.S. inches 1 inch = 25.4 mm

# REPAIR PARTS

## TRACTOR - MODEL NUMBER PKGTH2554 (96022000101)

### CHASSIS AND ENCLOSURES



chassis-stealth II\_7

**REPAIR PARTS****TRACTOR - MODEL NUMBER PKGTH2554 (96022000101)****CHASSIS AND ENCLOSURES**

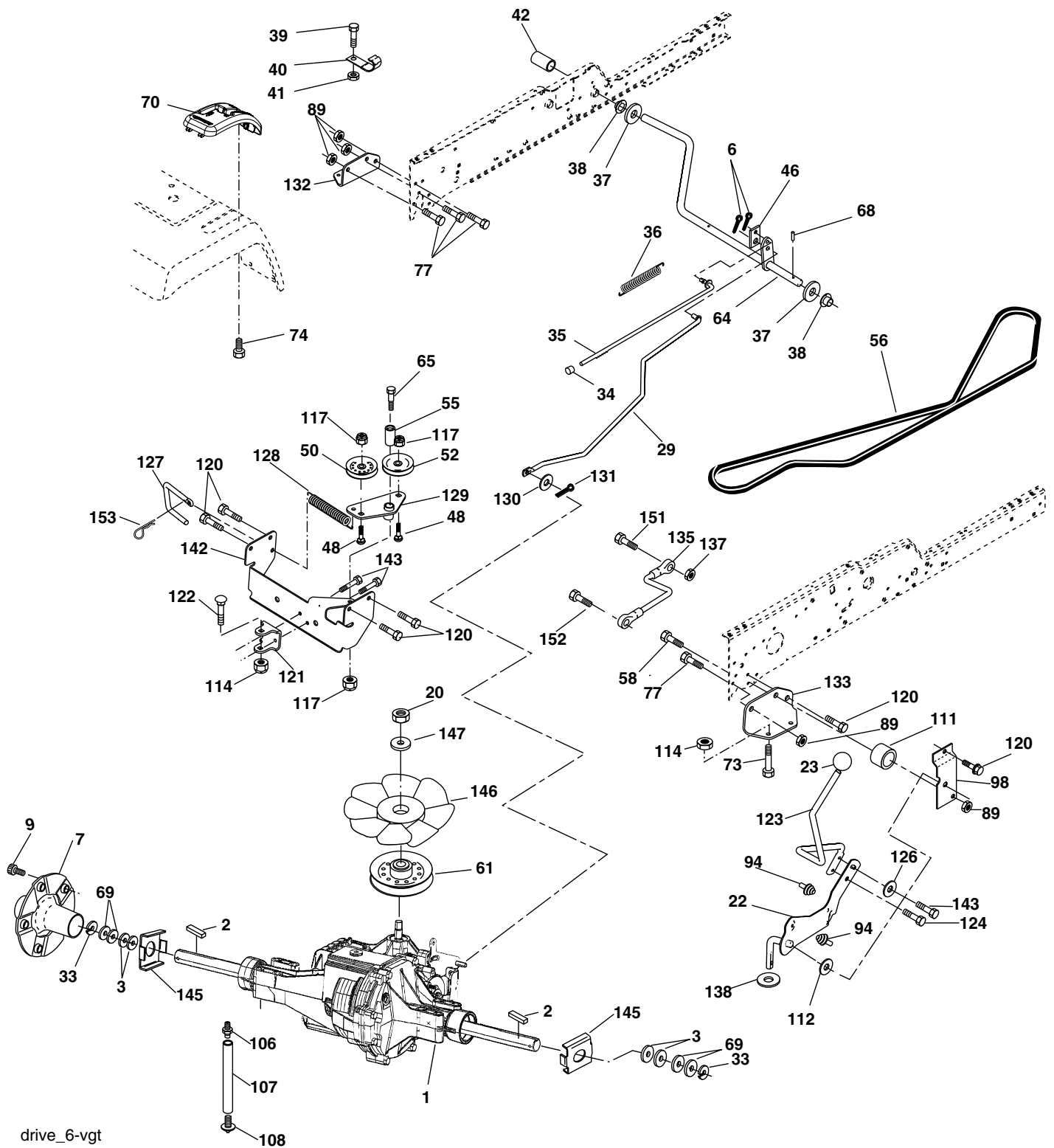
<b>KEY NO.</b>	<b>PART NO.</b>	<b>DESCRIPTION</b>	<b>KEY NO.</b>	<b>PART NO.</b>	<b>DESCRIPTION</b>
1	180375	Rail, Frame RH	86	74780716	Bolt, Fin Hex 7/16-14 unc x 1
2	175282	Drawbar, Gt	91	180374	Rail, Frame Lh
5	193636X428	Dash	99	177143	Rod By Pass
6	157882	Dash Asm., Lower	130	191611	Screw 10 x 3/4 Single Lead Hex
7	17720408	Screw, Thd Cut 1/4-20 x 1/2	122	192512	Screw Hex Wshd 10-32 x 5/8
8	184668	Support, Battery	138	191121X428	Cupholder YTGT
14	175260X428	Hood Asm., Pnt	139	171873	Bolt Shoulder 5/16-18 TT
16	121794X	Cover, Access	142	161897	Bracket Dash RH
17	17060612	Screw, 3/8-16 x 3/4	143	169847X428	Skirt Grill RH
18	175289X428	Grille	144	161900	Bracket Dash LH
19	19131312	Washer 13/32 x 13/16 x 12 Ga.	146	169848X428	Skirt Grill LH
20	74780616	Bolt, Fin Hex 3/8-16 x 1	148	164655	Extrusion Bumper
21	73800600	Nut, Lock Hex w/Ins. 3/8-16 unc	150	175352	Duct Heat Hood
24	179717X428	Footrest, RH	152	177956	Shield Browning
28	179716X428	Footrest, LH	153	179761	Light Box Asm. w/Lens
30	145052	Saddle, Hydro 1995	156	17000512	Screw 5/16-18 x 3/4
31	161419	Bracket, Supt 1-pc VGT Steering	157	161840	Lens, Bar
32	161327	Bracket, Pivot Chassis LH	158	17670608	Screw Thdrol 3/8-16 x 1/2
33	161326	Bracket, Pivot Chassis RH	159	17000612	Screw 3/8-16 x 3/4
34	177018	Plate Asm. Engine Chassis	161	179612X428	Console Fuel Window
35	19111116	Washer 11/32 x 11/16 x 16 Ga.	162	142432	Screw 1/4-1/2
36	17060512	Screw 5/16-18 x 3/4	165	183554	Bracket Support Tank
37	192397X428	Fender, Pnt.	166	73680700	Nut, Crownlock 7/16-14 unc
39	175278	Bracket, Axle Front	167	184672	Bushing
43	136939	Bracket, Spnsn Front Lh	169	188598	Bracket Chassis Sway
44	136940	Bracket, Spnsn Front Rh	170	<b>194667</b>	Rod Bracket Sway Brace
45	187270	Bracket Arm Susp.	172	17120614	Screw 3/8-16 x .875
47	17490608	Screw Thdrol 3/8-16 x 1/2 TYT	173	<b>74780512</b>	Bolt Hex 5/16-18 unc x 3/4
50	175476	Bracket, Chassis Front	174	<b>10040500</b>	Washer Lock 5/16
58	183569	Bracket Asm., Fender			
68	17490508	Screw, Thd 5/16-18 x 1/2			
84	188164	Upstop			

**NOTE:** All component dimensions given in U.S. inches  
1 inch = 25.4 mm

# REPAIR PARTS

## TRACTOR - MODEL NUMBER PKGTH2554 (96022000101)

### GROUND DRIVE





**REPAIR PARTS****TRACTOR - MODEL NUMBER PKGTH2554 (96022000101)****GROUND DRIVE**

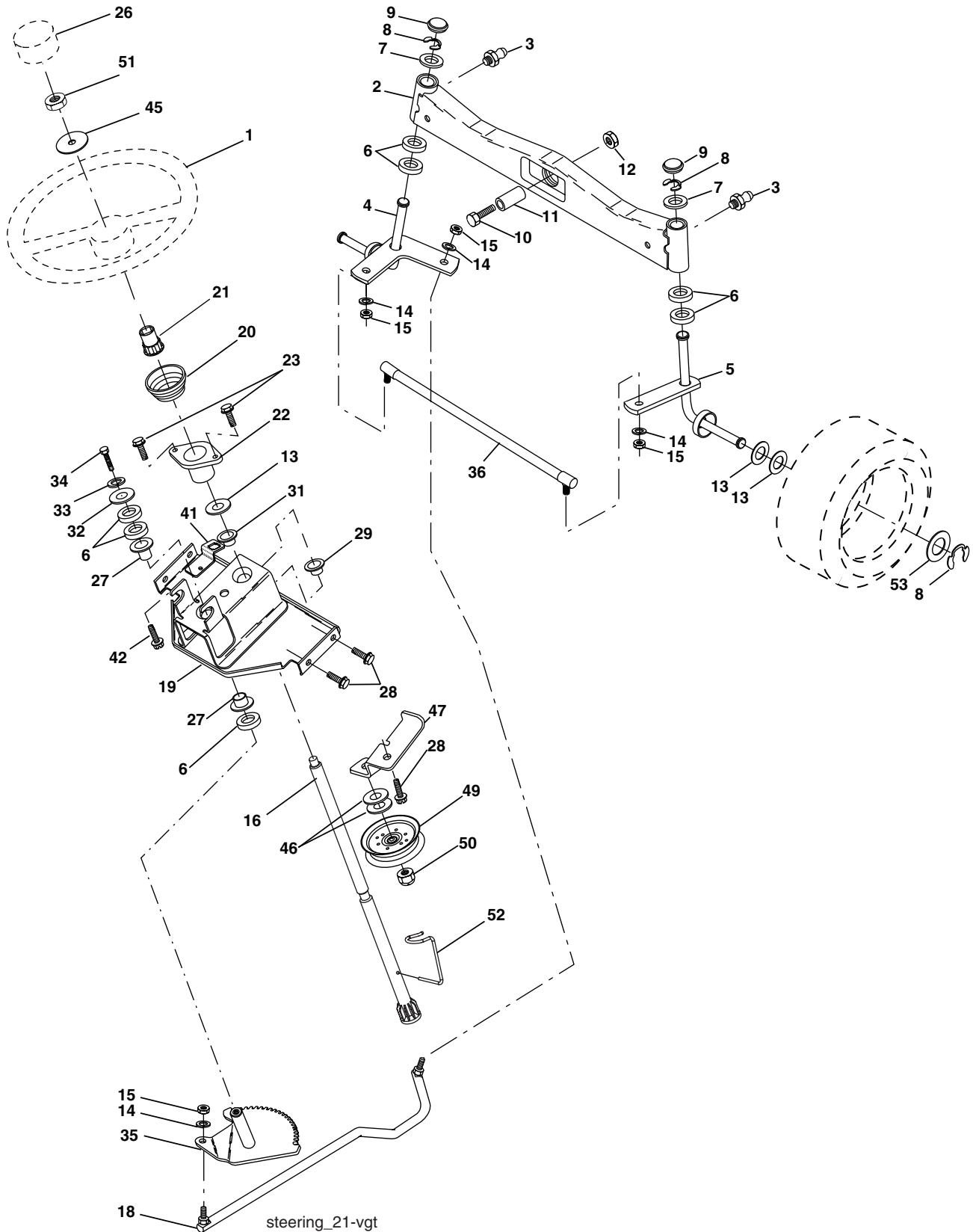
<b>KEY NO.</b>	<b>PART NO.</b>	<b>DESCRIPTION</b>	<b>KEY NO.</b>	<b>PART NO.</b>	<b>DESCRIPTION</b>
1	-----	Transaxle Hydro Gear 331-3000 (Order Parts From Trans- axle Manufacturer)	77	74780716	Bolt Fin Hex 7/16-14 x 1
2	7070E	Key Sq. 1/4 x 2.5	89	73680700	Nut Crownlock 7/16-14 unc
3	7563R	Washer Thrust	94	133835	Fastener Christmas Tree
6	76020412	Pin, Cotter	98	141004	Bracket Shift
7	140507	Wheel, Hub Assembly	106	142917	Cap Asm Vent Hydro Gear
9	140080	Bolt, Hub	107	154739	Line Fuel Hydro 15" VGT
20	73940800	Nut	108	142918	O-Ring Asm Hydro Gear
22	180235	Lever Asm Shift	111	156240	Spacer Shift Lever VGTH
23	140845	Knob	112	178558	Washer Nylon High Temp
29	176600	Brake, Rod	114	73800500	Nut Lock Hex W/Ins 5/16-18 unc
33	12000053	Ring E	117	73900600	Nut, Lock Flg. 3/8-16
34	71673	Cap, Parking Brake	121	175611	Bracket Strap Torque
35	137648	Rod, Parking Brake	122	72010520	Bolt 5/16-18 x 2.50
36	149412	Spring, Drive Ground	123	192438	Rod Shift
37	121749X	Washer 25/32 x 1-1/4 x 16 Ga.	124	165492	Bolt Shoulder 5/16-18 x .561
38	150035	Nyliner	126	166002	Washer Srrtd 5/16 ID x 1.0 x .125
39	74321016	Screw, Fin. #10-24 x 1	127	177362	Link Control Clutch
40	178575	Actuator, Interlock Switch	128	176624	Spring Drive GRND
41	73931000	Nut Centerlock 10-24 unc	129	179473	Bracket Asm Idler Tensioning
42	123533X	Cover, Pedal	130	19131016	Washer 13/32 x 5/8 x 16 Ga.
46	145170	Retainer, Spring	131	76020312	Pin Cotter 3/32 x 3/4
48	72110614	Bolt Carr. Shoulder 3/8-16 x 1-3/4 Gr. 5	132	175467	Bracket Mtg Hydro 3500 LH VGT
50	131494	Pulley, Idler, Flat	133	175468	Bracket Mtg Hydro 3500 RH VGT
52	127783	Pulley, Idler, Grooved	135	177364	Link Asm Control Hydro 3500
55	105706X	Bearing, Idler	137	1685H	Nut Lock 5/16-18 NC Thd.
56	161597	V-Belt	138	1370H	Washer Thrust 5/8 x 1.10 x 1/32
58	74760724	Bolt Fin Hex 7/16-14 x 1-1/2	142	175469	Strap Torque HG-3500
61	143995	Pulley, Transaxle	143	17000512	Screw 5/16-18 x 3/4
64	176601	Shaft, Brake Pedal	145	163168	Washer Axle Flange HG-3000
65	179613	Bolt, Shoulder	146	140462	Fan 7" Hydro
68	5142H	Pin, Roll	147	141322	Washer
69	123800X	Washer	120	17000612	Screw 3/8-16 x .75
70	192390X428	Console Shift	151	74760514	Bolt Fin Hex 5/16-18 x 7/8
73	74490548	Bolt Hex Flghd 5/16-18 x 3 Gr. 5	152	178705	Bolt Hex 5/16-18 x 1
74	142432	Screw Hex Wsh. Hi-Lo 1/4-1/2	153	4497H	Spring Retainer

**NOTE:** All component dimensions given in U.S. inches  
1 inch = 25.4 mm

# REPAIR PARTS

## TRACTOR - MODEL NUMBER PKGTH2554 (96022000101)

### STEERING ASSEMBLY



**REPAIR PARTS****TRACTOR - MODEL NUMBER PKGTH2554 (96022000101)****STEERING ASSEMBLY**

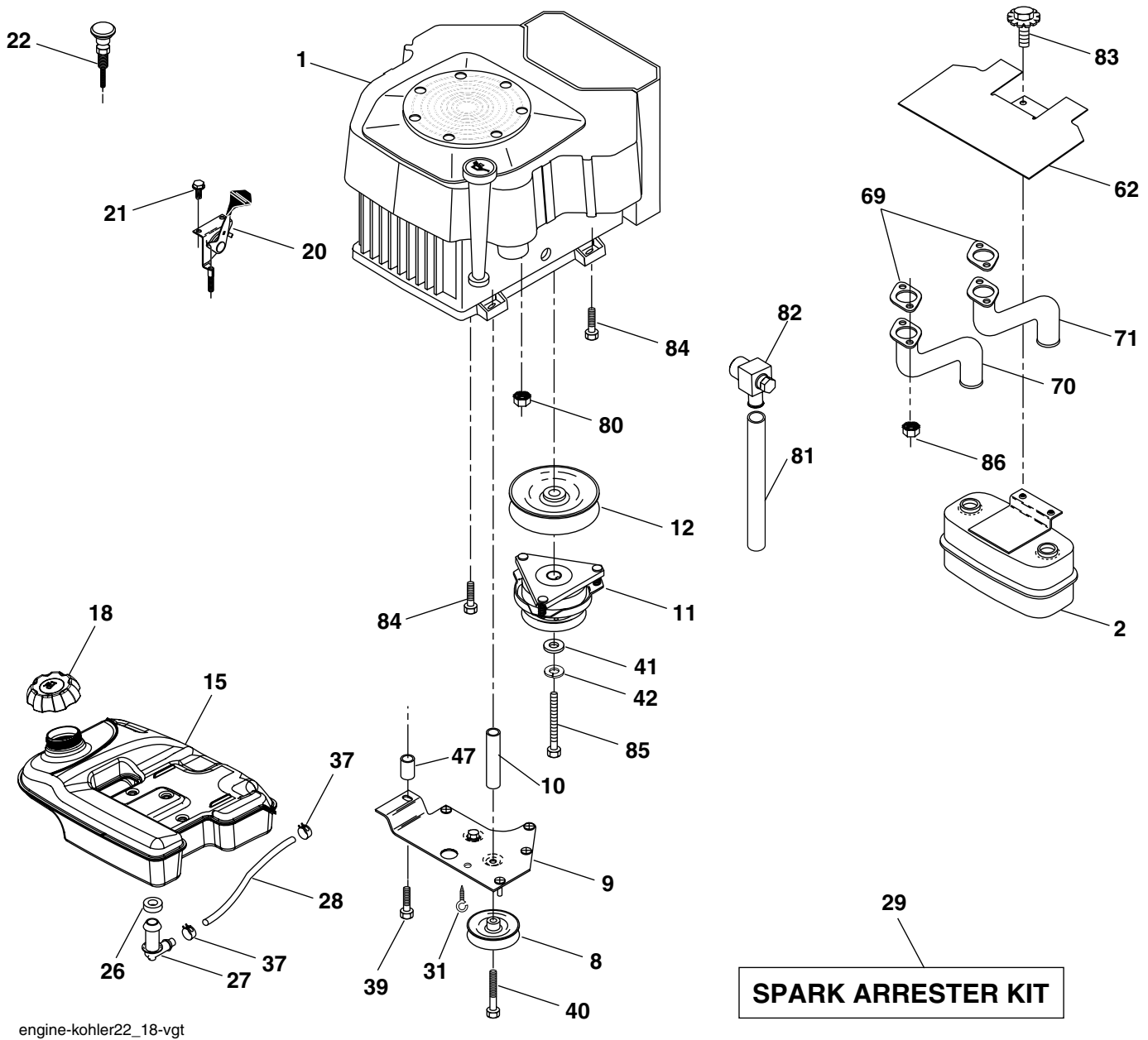
<b>KEY NO.</b>	<b>PART NO.</b>	<b>DESCRIPTION</b>
1	186094X428	Wheel, Steering
2	178557	Axle Asm., Front
3	183226	Fitting, Grease
4	161849	Spindle Asm, LH
5	161848	Spindle Asm., RH
6	6266H	Bearing, Race Thrust Harden
7	121748X	Washer 25/32 x 1-5/8 x 16 Ga.
8	12000029	Ring, Klip #T5304-75
9	184946X505	Cap, Spindle
10	74781044	Bolt, Fin Hex 5/8-11 x 2-3/4
11	136518	Spacer, Brg. Axle Front
12	73901000	Nut, Lock Flange 5/8-11 unc
13	121749X	Washer 25/32 x 1-1/4 x 16 Ga.
14	10040600	Washer, Lock Hvy Hlcl Spr 3/8
15	73540600	Nut Crownlock 3/8-24
16	186814	Shaft Asm., Steering
18	187799	Draglink
19	156011	Support Asm., Steering Vgt
20	163887X428	Boot Steering Stealth
21	186737	Adapter, Wheel Steering
22	155105	Bushing, Strg.
23	152927	Screw
26	186095X428	Insert Cap Strg WH
27	3366R	Bearing, Col. Strg.
28	17000612	Screw Hexwsh thdr 3/8-16 x 3/4
29	104239X	Bearing, Flange
31	138136	Bushing, Nyliner Snap
32	19111610	Washer 11/32 x 1 x 10 Ga.
33	10040500	Washer, Lock Hvy Hlcl Spr 5/16
34	74780512	Bolt, Hex Hd 5/16-18 x 3/4
35	187039	Gear, Sector Steering
36	186799	Tie Rod
41	155246	Bracket Switch Interlock Vgt 97
42	17490508	Screw Thdrol 5/16-18 x 1/2 Tyt
45	19183812	Washer 9/16 ID 2 -3/8 OD 12 Ga.
46	19131610	Washer 13/32 x 1 x 10 Ga.
47	179471	Bracket Asm. Idler Stationary
49	175820	Pulley Idler Flat
50	73900600	Nut Lock Flg. 3/8-16 unc
51	73940800	Nut Hex Jam Toplock 1/2-20 unf
52	175553	Clip Steering
53	188967	Washer Hardened

**NOTE:** All component dimensions given in U.S. inches  
1 inch = 25.4 mm

# REPAIR PARTS

## TRACTOR - MODEL NUMBER PKGTH2554 (96022000101)

### ENGINE



engine-kohler22\_18-vgt

# REPAIR PARTS

## TRACTOR - MODEL NUMBER PKGTH2554 (96022000101)

### ENGINE

KEY NO.	PART NO.	DESCRIPTION
1	-----	Engine Kohler, Model No. CV730 (Order parts from engine manuf.)
2	149723	Muffler Side
8	121361X	Pulley V-Idler
9	177748	Keeper Asm. Belt Engine VGT
10	175287	Bushing
11	179335	Clutch Electric
12	143996	Pulley Engine VGT Elect Clutch
15	179115	Tank Fuel Rear 5.0
18	179124X428	Cap Asm. Fuel
20	177328X428	Control Throttle
21	191611	Screw 10 x 3/4 Single Lead Hex
22	187767X428	Control Choke
26	3645J	Bushing
27	139277	Stem Tank Fuel
28	7834R	Fuel Line
29	137180	Spark Arrester Kit
31	145006	Clip
37	123487X	Clamp Hose
39	17490636	Screw TT 3/8-16 x 2-1/4 unc
40	17490664	Screw TT 3/8-16 x 4 unc
41	126197X	Washer 1-1/2 OD x 15/32 ID x .250
42	10040700	Washer Lock 7/16
47	175288	Spacer
62	146629	Shield Heat Muffler CV-Intek
69	-----	Gasket (Order from Engine Mfgr.)
70	175545	Tube Exhaust LH
71	175546	Tube Exhaust RH
79	183906	Screw Socket Head 5/16-18 x 1
80	M73030800	Nut Flange M8-1.25
81	188800	Tube Drain Oil
82	188799	Valve Oil Drain
83	171877	Bolt 5/16-18 Unc x 1-3/4 W/Sems
84	17060624	Screw Thdrol 3/8-16 x 1-1/2
85	179953	Bolt Hex 7/16-20 x 3.75 Gr. 5
86	184362	Nut Hex Flange Toplock M8-1.25

**NOTE:** All component dimensions given in U.S. inches  
1 inch = 25.4 mm

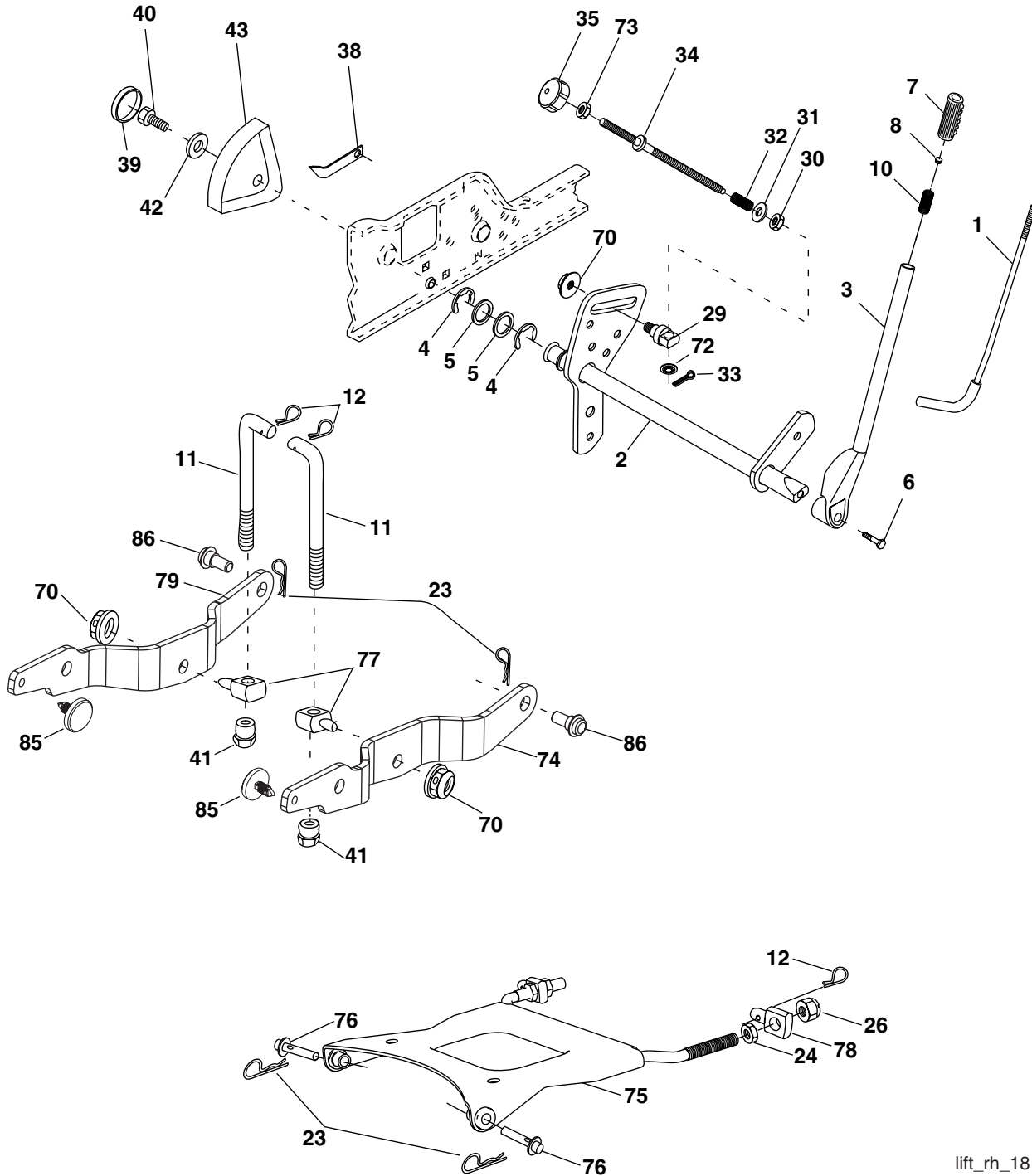
For engine service and replacement parts, call the toll free number for your engine manufacturer listed below:

Briggs & Stratton	1-800-233-3723
Kohler Co.	1-800-544-2444
Tecumseh Products	1-800-558-5402
Honda Engines	1-800-426-7701
Kawasaki	1-949-460-5688

# REPAIR PARTS

TRACTOR - MODEL NUMBER PKGTH2554 (96022000101)

## LIFT ASSEMBLY



lift\_rh\_18

**REPAIR PARTS****TRACTOR - MODEL NUMBER PKGTH2554 (96022000101)****LIFT ASSEMBLY**

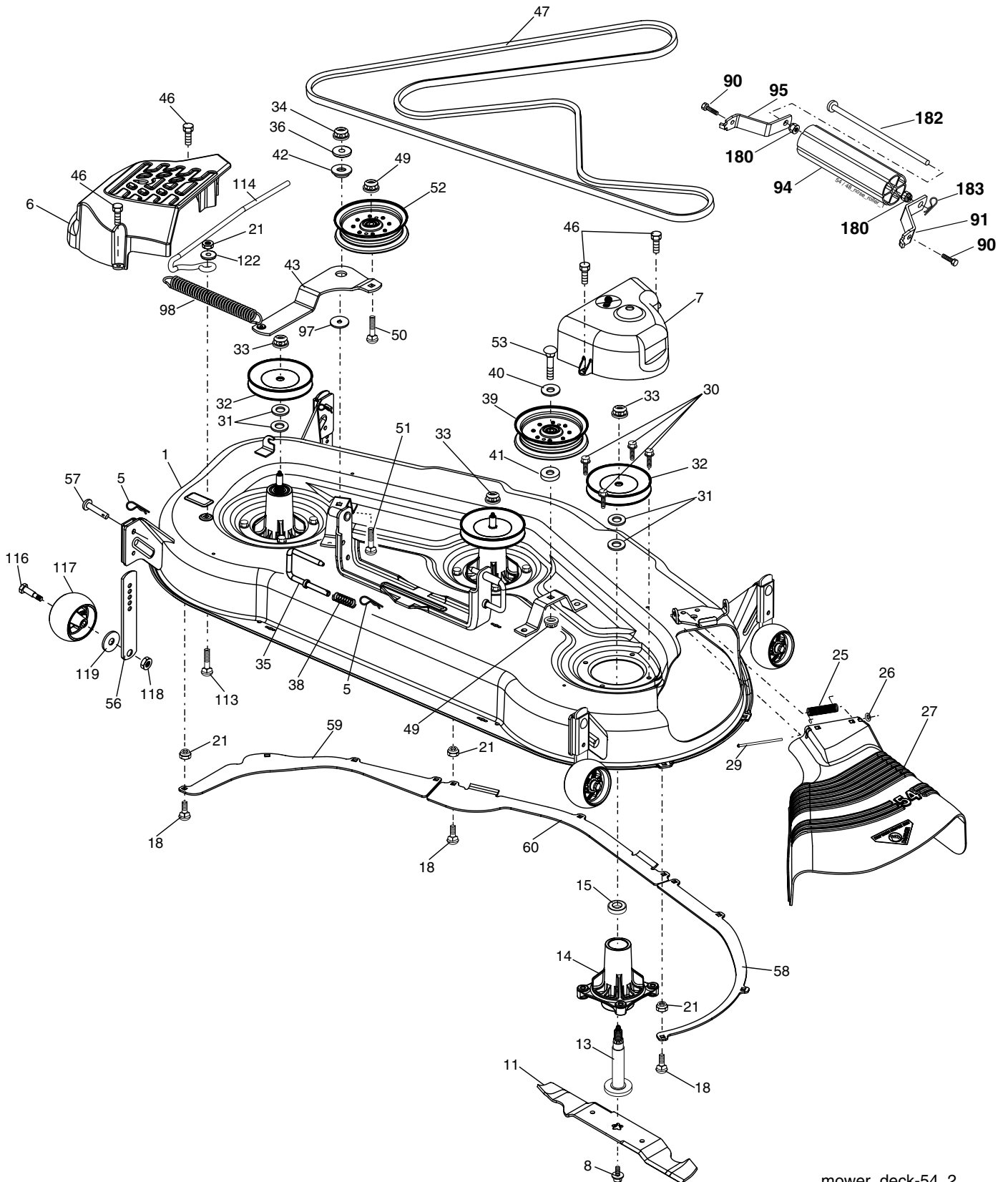
<b>KEY NO.</b>	<b>PART NO.</b>	<b>DESCRIPTION</b>
1	121006X	Rod Asm., Lever
2	180045	Shaft Asm., Lift Vgt
3	159189	Lever Asm., Lift Rh
4	12000022	E-Ring Truarc #5133-87
5	19292016	Washer 29/32 x 1-1/4 x 16 Ga.
6	71110624	Bolt, Fin Hex 3/8-16 x 1-1/2
7	175830	Grip, Handle
8	175831X421	Button Plunger
10	183894	Spring 0.62 OD x 2.125
11	175375	Link Lift
12	163552	Retainer, Spring
23	4939M	Retainer, Spring
24	73350800	Nut, Jam Hex 1/2-13 unc
26	73680800	Nut, Crownlock 1/2-13 unc
29	150233	Trunnion Inf. Height
30	110807X	Nut, Special
31	19131016	Washer 13/32 x 5/8 x 16 Ga.
32	137150	Spring, Compression Inf Hgt
33	76020308	Pin, Cotter 3/32 x 1/2
34	137167	Rod, Adj Lift
35	138057	Knob, Inf 3/8-16 unc
38	155097	Pointer, Height Indicator
39	123935X	Plug, Hole
40	17060516	Screw 5/16-18 x 3/4
41	175994	Nut, Lift Link 7/16-20
42	19112410	Washer 11/32 x 1-1/2 x 10 Ga.
43	123934X	Scale, Indicator Height
70	145212	Nut, Hexflange Lock
72	110452X	Nut, Push Phos & Oil
73	73350600	Nut Hex Jam 3/8-16 unc
74	187277	Arm Susp. Rear RH
75	175805	Plate Asm Susp. Front
76	175560	Pin Flange
77	176205	Trunnion Susp. Arm
78	175689	Trunnion Susp. Front
79	187276	Arm Susp. Rear LH
85	189013	Insert Wear
86	188528	Bolt Shoulder

**NOTE:** All component dimensions given in U.S. inches  
1 inch = 25.4 mm

# REPAIR PARTS

## TRACTOR - MODEL NUMBER PKGTH2554 (96022000101)

### MOWER DECK



mower\_deck-54\_2



**REPAIR PARTS****TRACTOR - MODEL NUMBER PKGTH2554 (96022000101)****MOWER DECK**

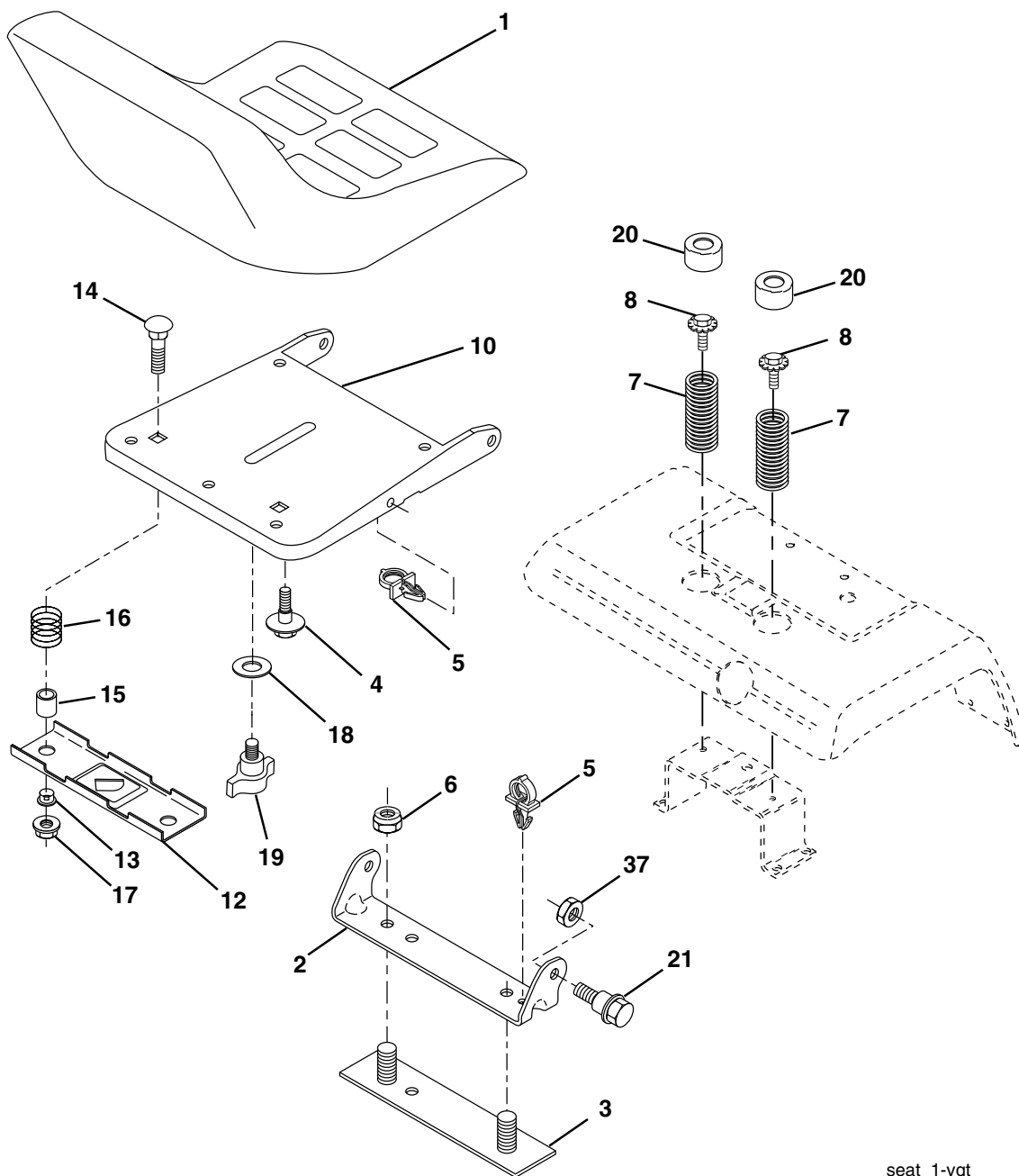
KEY NO.	PART NO.	DESCRIPTION	KEY NO.	PART NO.	DESCRIPTION
1	<b>194846X421</b>	Deck Weldment Mower	51	72110610	Bolt
5	4939M	Retainer Spring	52	188460	Pulley Idler Clutching
6	187297	Cover Mandrel LH	53	<b>74780636</b>	Bolt Hex 3/8-16 unc x 2-1/4
7	188187	Cover Mandrel RH	56	155986	Bar Pnt Adj.
8	174365	Bolt 7/16 Asm. Blade	57	156941	Pin Head Rivet
11	187254	Blade, Standard (For mulching mowers only)	58	187342	Baffle Right
13	187291	Shaft Asm. w/Lower Bearing	59	187344	Baffle Left
14	187281	Housing, Mandrel	60	187607	Baffle Center
15	110485X	Bearing, Ball, Mandrel	90	74760516	Bolt 5/16-18 x 1
17	72140505	Bolt, Carriage 5/16-18 x 5/8	91	180535	Bracket Asm N Roller RH
21	73680500	Nut, Crownlock 5/16-18 unc	94	176066	Roller Nose 48"
25	178102	Spring, Torsion	95	180534	Bracket Asm N Roller LH
26	110452X	Nut, Push	97	19133210	Washer Hardened
27	187257X428	Deflector Shield	98	187282	Spring Clutch Drive
29	131491	Rod, Hinge	113	72110508	Bolt Rdhd Sqnk 5/16-18 x 3/4
30	173984	Screw, Thdroll Washer Head	114	187556	Rod Tension Relief
31	187690	Washer, Spacer Mower Vented	116	193406	Bolt, Shoulder
32	173436	Pulley, Mandrel	117	174873	Gauge Wheel
33	178342	Nut, Flg. Top Lock Cntr. 9/16	118	73930600	Nut, Centerlock 3/8-16 unc
34	73680600	Nut	119	19121414	Washer 3/8 x 7/8 x 14 Ga.
35	188635	Pin Suspension Rear	122	187557	Bushing Tension Relief
36	19131316	Washer 13/32 x 13/16 x 16 Ga.	180	73800500	Nut 5/16-18
38	188657	Spring Compression	182	179127	Rod Roller Nose Narrow
39	187284	Pulley, Idler, Stationary	183	163552	Retainer Spring
40	<b>19131312</b>	Washer 13/32 x 12 Ga.	- -	187292	Mandrel Asm. Service (Includes Key Nos. 13-15 and 33)
41	<b>19132203</b>	Washer 13/32 x 1-3/8 x 3 Ga.	- -	<b>196101</b>	Replacement Mower, Complete (Std. Deck-Order separately nose roller components key nos. 90, 91, 94, 95, 180, 182, 183)
42	122052X	Spacer, Retainer			
43	<b>196216</b>	Arm, Idler			
46	137729	Screw, Thdroll. 1/4-20 x 5/8			
47	191273	V-Belt, Mower, Secondary			
49	73900600	Nut, Lock Flg. 3/8-16 unc			
50	72110616	Bolt, Carr. 3/8-16 x 2			

**NOTE:** All component dimensions given in U.S. inches  
1 inch = 25.4 mm

# REPAIR PARTS

TRACTOR - MODEL NUMBER PKGTH2554 (96022000101)

## SEAT ASSEMBLY



seat\_1-vgt

KEY NO.	PART NO.	DESCRIPTION
1	189022	Seat
2	140551	Bracket, Pivot Seat
3	140675	Strap Asm. Fender
4	127018X	Bolt, Shoulder 5/16-18 x .62
5	145006	Clip, Push-In Hinged
6	73800600	Nut, Crownlock 3/8-16
7	124181X	Spring, Seat Cprsn.
8	171877	Bolt 5/16-18 unc x 3/4 w/Sems
10	182493	Pan, Seat
12	174648	Bracket, Mounting Switch
13	121248X	Bushing, Snap
14	72050412	Bolt, Carriage 1/4-20 x 1-1/2

KEY NO.	PART NO.	DESCRIPTION
15	121249X	Spacer, Split
16	123740X	Spring, Cprsn.
17	123976X	Nut, Lock 1/4 Lg. Flg. Gr. 5
18	19171912	Washer 17/32 x 1-3/16 x 12 Ga.
19	166369	Knob, Seat
20	124238X	Cap, Spring Seat Blk
21	171852	Bolt 5/16-18 unc-2A
37	73800500	Nut, Crownlock 5/16-18

**NOTE:** All component dimensions given in U.S. inches  
1 inch = 25.4 mm