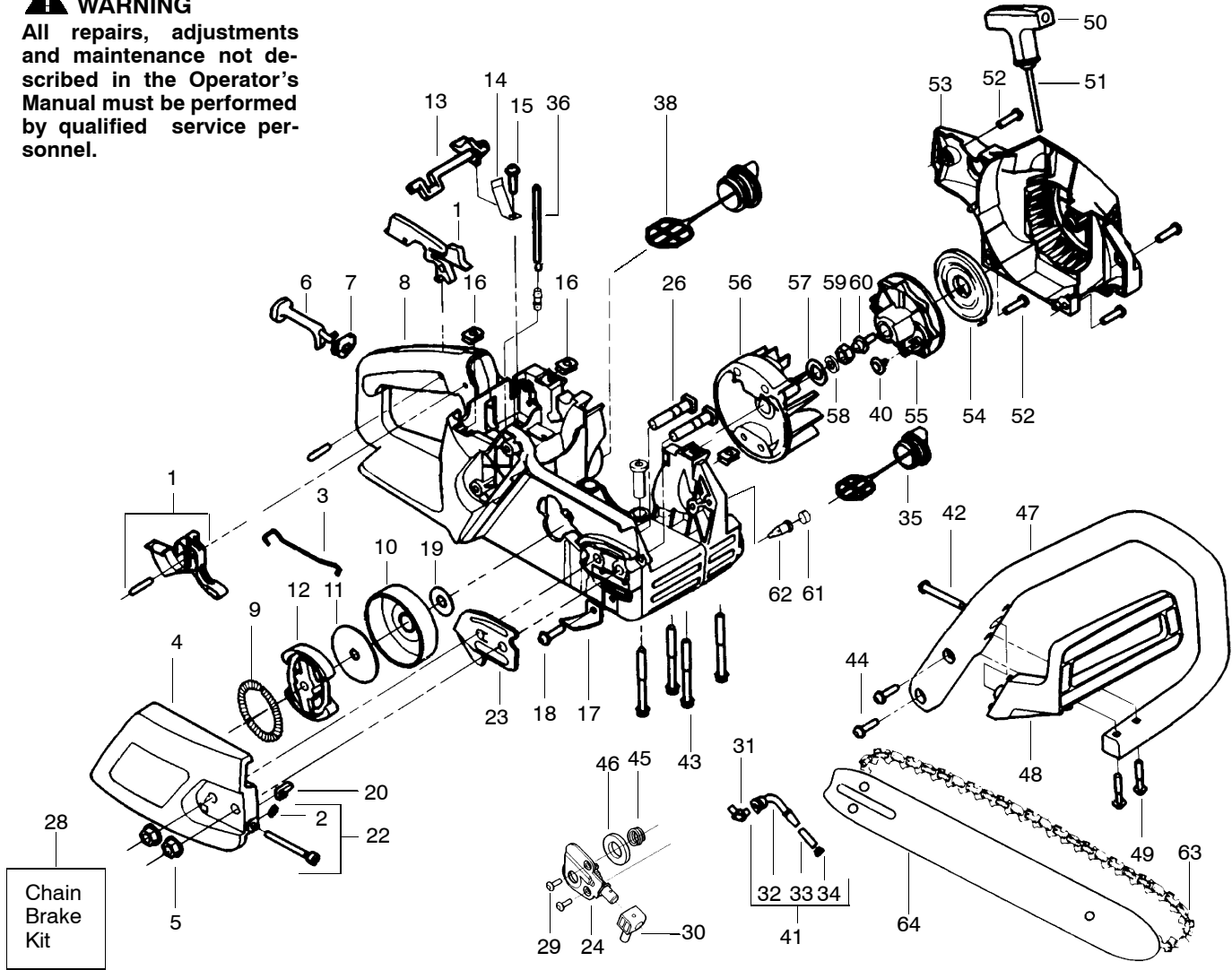


|                                    |                                      |                           |   |
|------------------------------------|--------------------------------------|---------------------------|---|
| PARTS LIST NO.<br><b>530087572</b> |                                      | <b>POULAN® PARTS LIST</b> | CHAIN SAW MODEL(S)<br><b>1950</b>                                     |
| DATE<br><b>7/11/00</b>             | REPLACES<br><b>530087572-6/20/00</b> |                           | Note: Illustration may differ from actual model due to design changes |

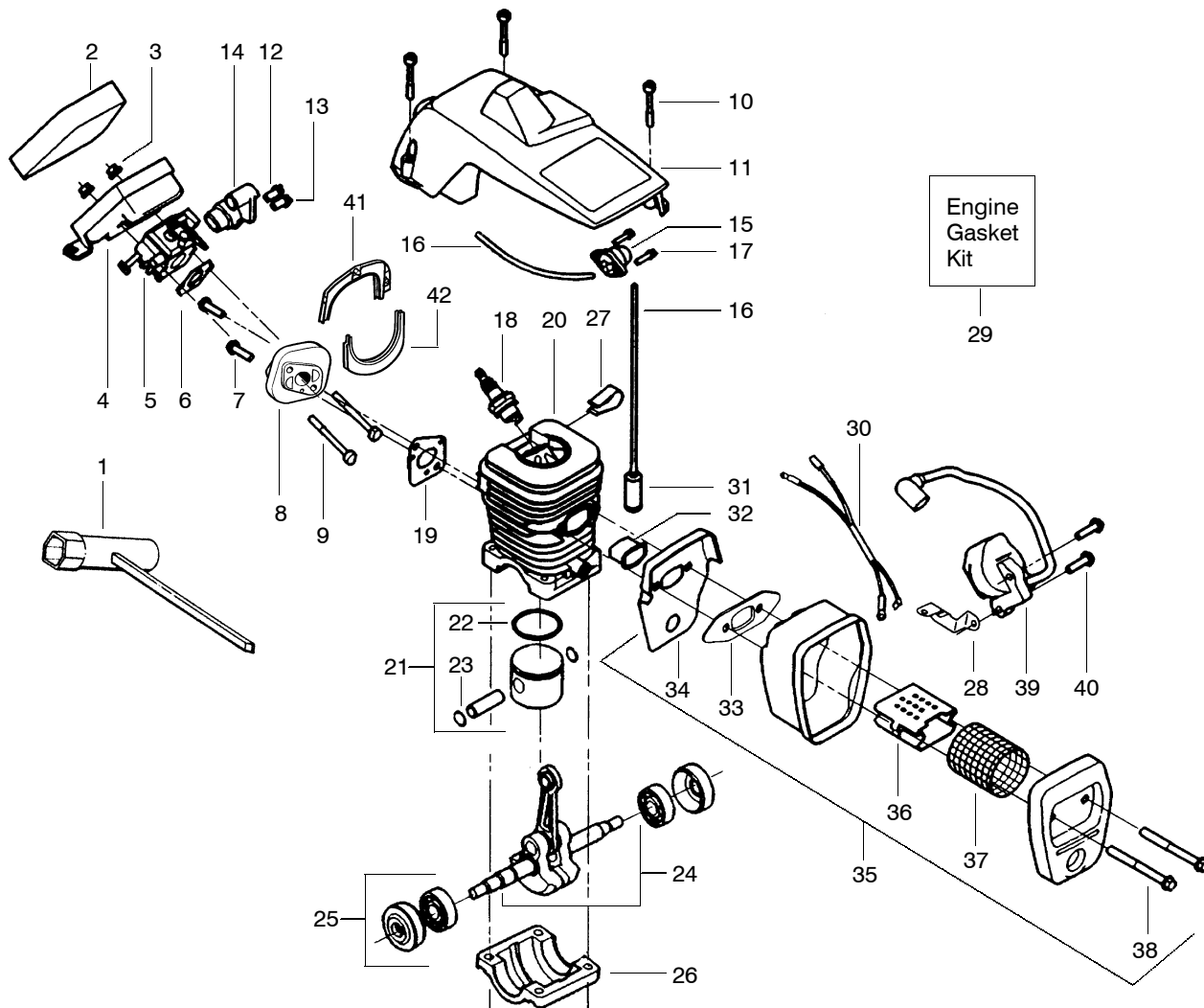
**WARNING**  
All repairs, adjustments and maintenance not described in the Operator's Manual must be performed by qualified service personnel.



| Ref. | Part No.  | Description                          | Ref. | Part No.  | Description   | Ref. | Part No.  | Description        |
|------|-----------|--------------------------------------|------|-----------|---|------|-----------|--------------------|
| 1.   | 530069724 | Trigger & Lockout Kit (Includes Pin) | 23.  | 530038238 | Bar Mounting Plate  | 47.  | 530037799 | Front Handle       |
| 2.   | 530038593 | Retainer-Bar Adjust                  | 24.  | 530071259 | Oil Pump Kit-(Incl. Oil Pump Body, Gear Assy, Pin, O-Ring, 31 & 45) | 48.  | 530038224 | Handguard          |
| 3.   | 530037809 | Wire - Throttle                      | 26.  | 530016133 | Bolt  | 49.  | 530015940 | Screw              |
| 4.   | 530038236 | Clutch Cover                         | 28.  | 952069662 | Chain Brake Kit   | 50.  | 530037485 | Starter Handle     |
| 5.   | 530015917 | Nut - Bar Mounting                   | 29.  | 530016064 | Screw   | 51.  | 530069232 | Rope Kit           |
| 6.   | 530047989 | Choke Lever                          | 30.  | 530019206 | Seal Block  | 52.  | 530015892 | Screw              |
| 7.   | 530038406 | Grommet-Choke Knob                   | 31.  | 530049477 | Elbow-Oil Pickup  | 53.  | 530049334 | Fan Housing        |
| 8.   | 530069822 | Chassis Ass'y. Kit                   | 32.  | 530038373 | Pick-Up Oiler   | 54.  | 530027531 | Starter Spring     |
| 9.   | 530094188 | Clutch Spring                        | 33.  | 530037821 | Oil Filter  | 55.  | 530037817 | Starter Pulley     |
| 10.  | 530047061 | Clutch Drum Ass'y - w/Brg.           | 34.  | 530030189 | Plug- Oil Filter  | 56.  | *****     | Flywheel Ass'y.    |
| 11.  | 530015611 | Washer - Clutch                      | 35.  | 530010846 | Oil Cap Ass'y.  |      | 530039209 | Walbro             |
| 12.  | 530014949 | Clutch Ass'y.                        | 36.  | 530069247 | Fuel Line Kit (Carb/Purge)  |      | 530039186 | Phelon             |
| 13.  | 530038227 | Switch Lever                         | 38.  | 530047164 | Fuel Cap Ass'y.   | 57.  | 530400897 | Washer             |
| 14.  | 530016149 | Switch Spring                        | 40.  | 530016080 | Screw   | 58.  | 530001717 | Washer             |
| 15.  | 530015775 | Screw                                | 41.  | 530047663 | Oil-Pickup Ass'y. (Incl. 32, 33 & 34)                               | 59.  | 530016134 | Nut-Flywheel       |
| 16.  | 530015922 | Nut-Speed                            | 42.  | 530016020 | Screw   | 60.  | 530015920 | Screw              |
| 17.  | 530029850 | Chain Catcher                        | 43.  | 530016132 | Screw   | 61.  | 530038264 | Plug - Bronze Vent |
| 18.  | 530015814 | Screw                                | 44.  | 530015814 | Screw   | 62.  | 530026119 | Check Valve        |
| 19.  | 530015907 | Washer - Thrust                      | 45.  | 530037820 | Worm Gear Spring  | 63.  | 952051209 | Chain-14"          |
| 20.  | 530015826 | Pin -Bar Adjusting                   | 46.  | 530019231 | Dust Seal   | 64.  | 952044368 | Bar-14"            |
| 22.  | 530069611 | Bar Adjusting Screw Kit (Incl. 2)    |      |           |   |      | Not Shown |                    |
|      |           |                                      |      |           |   |      | 530087294 | Operator Manual    |
|      |           |                                      |      |           |   |      | 530038257 | Instruction Decal  |
|      |           |                                      |      |           |   |      | 530038486 | Stop Decal         |

✓ = NEW PART NUMBER FOR THIS IPL    \* = REFER TO THE SERVICE REFERENCE INDICATED FOR MORE INFORMATION. (LOCATED AT END OF IPL)  
● = THESE PARTS ARE ILLUSTRATED FOR CLARITY. ORDER COMPLETE ASSEMBLY.

|                                    |                                      |                           |  |
|------------------------------------|--------------------------------------|---------------------------|--|
| PARTS LIST NO.<br><b>530087572</b> |                                      | <b>POULAN® PARTS LIST</b> | CHAIN SAW MODEL(S)<br><b>1950</b>  |
| DATE<br><b>7/11/00</b>             | REPLACES<br><b>530087572-6/20/00</b> |                           | <b>Note:</b> Illustration may differ from actual model due to design changes |

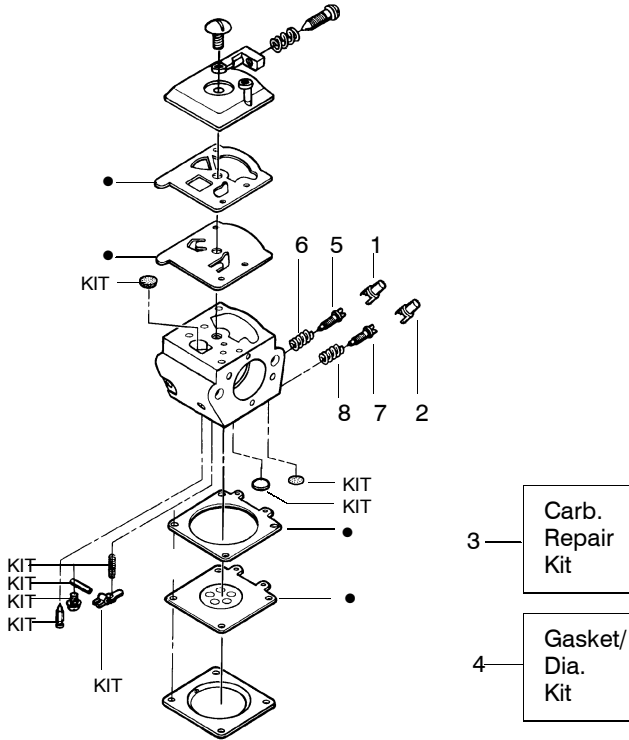


| Ref. | Part No.  | Description                       | Ref. | Part No.  | Description                                 | Ref.      | Part No.  | Description                  |
|------|-----------|-----------------------------------|------|-----------|---|-----------|-----------|------------------------------|
| 1.   | 530031163 | Bar Wrench                        | 19.  | 530019249 | Gasket—Carb Adaptor                         | 36.       | 530037813 | Muffer Diffuser              |
| 2.   | 530037793 | Foam—Air Filter                   | 20.  | 530069606 | Cylinder Kit                                | 37.       | 530036103 | Spark Screen                 |
| 3.   | 530016101 | Nut                               | 21.  | 530069604 | Piston Kit<br>(Incl. 22 & 23)               | 38.       | 530016132 | Screw                        |
| 4.   | 530037804 | Air Filter Housing                | 22.  | 530029805 | Piston Ring                                 | 39.       | *****     | Ignition Module              |
| 5.   | *****     | Carburetor Kit<br>(Incl. 12 & 13) | 23.  | 530015697 | Retainer—Piston Pin                         | 530039198 | Walbro    |                              |
| 6.   | 530019239 | Carb. Gasket                      | 24.  | 530047062 | Crankshaft Ass'y.                           | 530039167 | Phelon    |                              |
| 7.   | 530015810 | Screw                             | 25.  | 530047827 | Seal & Bearing Ass'y.                       | 40.       | 530015814 | Screw                        |
| 8.   | 530049700 | Carb. Adapter                     | 26.  | 530037935 | Cap—Crankcase                               | 41.       | 530049715 | Seal—Carb Adapter<br>(Upper) |
| 9.   | 530016187 | Screw                             | 27.  | 530016136 | Clip—High Tension Lead                      | 42.       | 530049714 | Seal—Carb Adapter<br>(Lower) |
| 10.  | 530016102 | Screw                             | 28.  | 530047442 | Ground Strap                                |           |           |                              |
| 11.  | 530053184 | Cylinder Shield                   | 29.  | 530069608 | Engine Gasket Kit<br>(Incl. 6, 17, 19 & 33) |           | Not Shown |                              |
| 12.  | 530038318 | Limiter Cap—High                  | 30.  | 530052296 | Wire Harness Ass'y.                         |           |           |                              |
| 13.  | 530038317 | Limiter Cap—Low                   | 31.  | 530095646 | Fuel Pick-up Ass'y.                         |           |           |                              |
| 14.  | 530049244 | Grommet—Carb Adjust               | 32.  | 530037652 | Heat Insulator                              |           |           |                              |
| 15.  | 530047213 | Air Purge Ass'y.                  | 33.  | 530019221 | Muffer Gasket                               |           |           |                              |
| 16.  | 530069216 | Fuel Line Kit<br>(Tank/Purge)     | 34.  | 530049870 | Muffer Back Plate                           |           |           |                              |
| 17.  | 530015780 | Screw                             | 35.  | 530047207 | Muffer Ass'y.<br>(Incl. 33-34 & 36-38)      |           |           |                              |
| 18.  | 952030150 | Spark Plug (RCJ-7Y)               |      |           |   |           |           |                              |
|      |           |                                   |      |           |   |           | 530031112 | Clutch Ass'y. Tool           |
|      |           |                                   |      |           |   |           | 530031097 | Air Gap Gauge                |
|      |           |                                   |      |           |   |           | 530031160 | Insert Tool—<br>Limitter Cap |

✓ = NEW PART NUMBER FOR THIS IPL    \* = REFER TO THE SERVICE REFERENCE INDICATED FOR MORE INFORMATION. (LOCATED AT END OF IPL)  
 ● = THESE PARTS ARE ILLUSTRATED FOR CLARITY. ORDER COMPLETE ASSEMBLY.

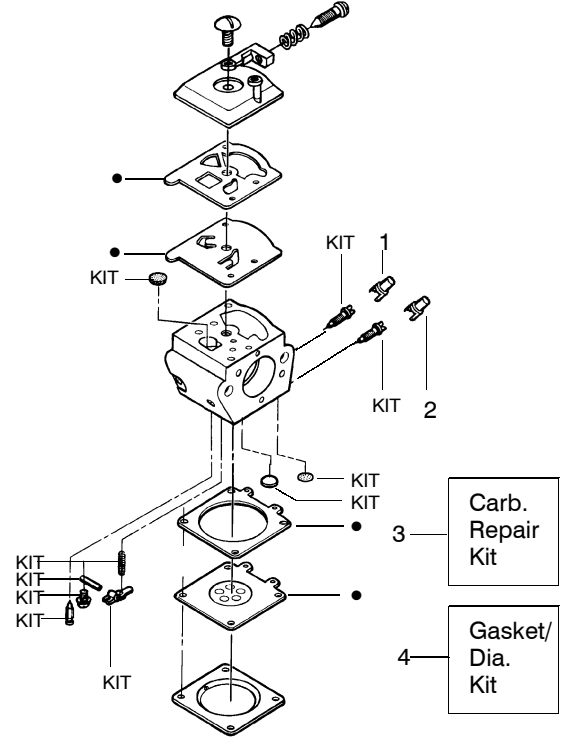
|                                    |                                      |                           |   |
|------------------------------------|--------------------------------------|---------------------------|---|
| PARTS LIST NO.<br><b>530087572</b> |                                      | <b>POULAN® PARTS LIST</b> | CHAIN SAW MODEL(S)<br><b>1950</b>                                     |
| DATE<br><b>7/11/00</b>             | REPLACES<br><b>530087572-6/20/00</b> |                           | Note: Illustration may differ from actual model due to design changes |

**Walbro**  
**Carburetor Assembly**  
**WT324 – #530069703**



| Ref. | Part No.  | Description  |
|------|-----------|--|
| 1.   | 530038318 | Limiter Cap—High                                   |
| 2.   | 530038317 | Limiter Cap—Low                                    |
| 3.   | —         | Carburetor Repair Kit<br>(KIT= Indicates Contents) |
|      | 530069826 | Walbro (WT324)                                     |
| 4.   | —         | Gasket Diaphragm Kit<br>(● Indicates Contents)     |
|      | 530069844 | Walbro (WT324)                                     |
| 5.   | 530035383 | Needle—Low Speed                                   |
| 6.   | 530035293 | Needle Spring—Low Speed                            |
| 7.   | 530035384 | Needle—High Speed                                  |
| 8.   | 530035295 | Needle Spring—High Speed                           |

**Zama**  
**Carburetor Assembly**  
**C1Q—W8**  
**See Service Reference**



| Ref.                                     | Part No.  | Description   |
|--|-----------|---|
| 1.                                       | 530038318 | Limiter Cap—High  |
| 2.                                       | 530038317 | Limiter Cap—Low   |
| 3.                                       | —         | Carburetor Repair Kit<br>(KIT= Indicates Contents)  |
| ✓  | 530071352 | Zama (C1Q—W8)   |
| 4.                                       | —         | Gasket Diaphragm Kit<br>(● Indicates Contents)  |
| ✓  | 530035270 | Zama (C1Q—W8)   |
| <b>Zama Carburetor Service Reference</b> |           |   |
| *****                                    |           | If replacing the complete Zama Carburetor, it is not serviceable; you will need to order #530069703 Walbro Carburetor Assy. |
| *****                                    |           | Note: The contents of the 530-035270 Gasket/Diaphragm kit are included in the 530-071352 Carb. Repair kit.                  |

**Walbro / Phelon Flywheel & Ignition Module Service Reference**

\*\*\*\*\* When ordering a replacement flywheel or ignition module, please refer to the specific brand (Walbro or Phelon) and order accordingly.

✓ = NEW PART NUMBER FOR THIS IPL    \* = REFER TO THE SERVICE REFERENCE INDICATED FOR MORE INFORMATION. (LOCATED AT END OF IPL)  
● = THESE PARTS ARE ILLUSTRATED FOR CLARITY. ORDER COMPLETE ASSEMBLY.