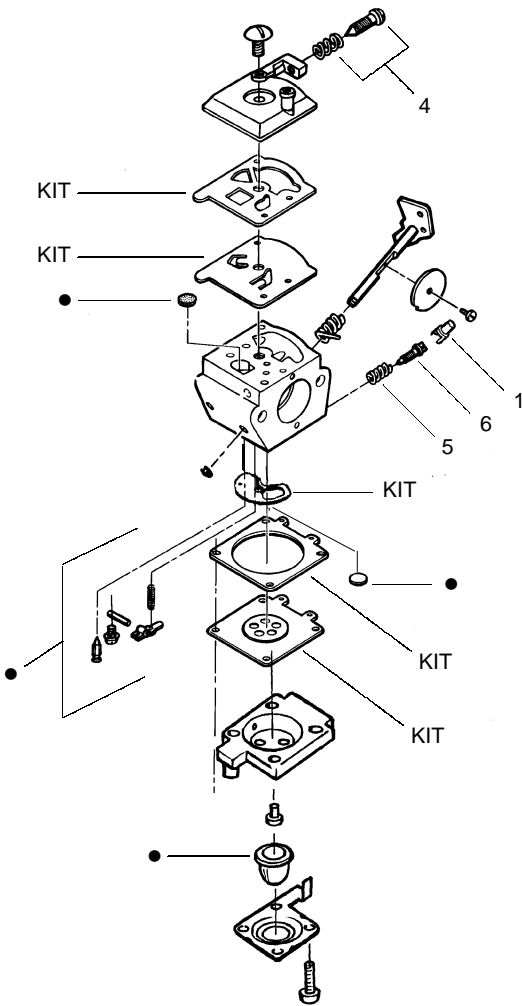


PARTS LIST NO. 530086339		WEED EATER® PARTS LIST	MODEL(s) FL21
DATE 07/01/02	Replaces 530086339 - 6/25/01		NOTE: Illustration may differ from actual model due to design changes

Carburetor Assembly Kits

WA223 - Type 1 - See Service Ref.



Carb. Repair Kit

Gasket/Diaph. Kit

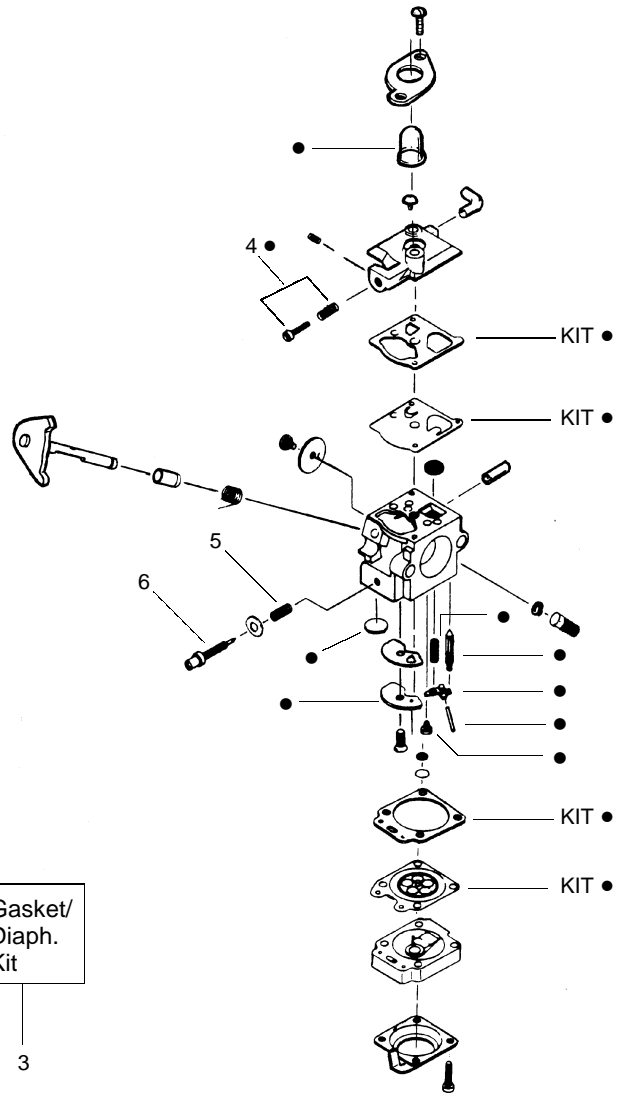
2

3

WA224 - Type 2 - See Service Ref.

WA226-#530069754 - Type 3

C1U-W7 Zama - See Service Ref.



Carb. Repair Kit

Gasket/Diaph. Kit

2

3

Ref.	Part No.	Description
1.	530038403	Limiter Cap
2.	-	Carburetor Repair Kit (● Indicates Contents)
	530069839	WA223
	530069838	WA224 & WA226
	530069969	C1U-W7 (Zama)
3.	-	Gasket/Diaphragm Kit (KIT= Indicates Contents)
	530069844	WA223, WA224 & WA226
	530069970	C1U-W7 (Zama)
4.	530035296	Idle Screw & Spring Kit
5.	530035342	Low Speed Spring
6.	530035341	Low Speed Needle

Zama Carburetor Service Reference

★★★★★ If replacing the complete Zama Carburetor, it is not serviceable; you will need to order #530069754 WA226 Walbro Carburetor Assy.

Walbro Carburetor Service Reference

★★★★★ If replacing the WA223 & WA224 Carburetors, they are no longer serviceable as complete carburetors. You will need to order #530069754 WA226 Walbro Carburetor Assy.

✓ = NEW PART NUMBER FOR THIS IPL

★ = REFER TO THE SERVICE REFERENCE INDICATED FOR MORE INFORMATION. (LOCATED AT END OF IPL)

PARTS LIST NO. 530086339		WEED EATER® PARTS LIST	MODEL(s) FL21
DATE 07/01/02	Replaces 530086339 - 6/25/01		Note: Illustration may differ from actual model due to design changes

SERVICE REFERENCE

1. The Weedeater FL21 was built using different Drive Shaft and Driveshaft Housings. When ordering a replacement, measure the length of the Drive Shaft and order accordingly.

Flex - Drive Shaft
530095613-45"
530095423-51"

Assy - Drive Shaft Hsg.
530069883-45" (Silver)
530071425-45" (Black)
530069880-51"

SERVICE REFERENCE

Note: When replacing item# 51 on page 2, please note if the surface indicated by the arrow is flat or has a beveled edge and order accordingly.

(A) Flat Surface – 530-019181 Gasket
(B) Beveled surface – 530-056097 O-ring

