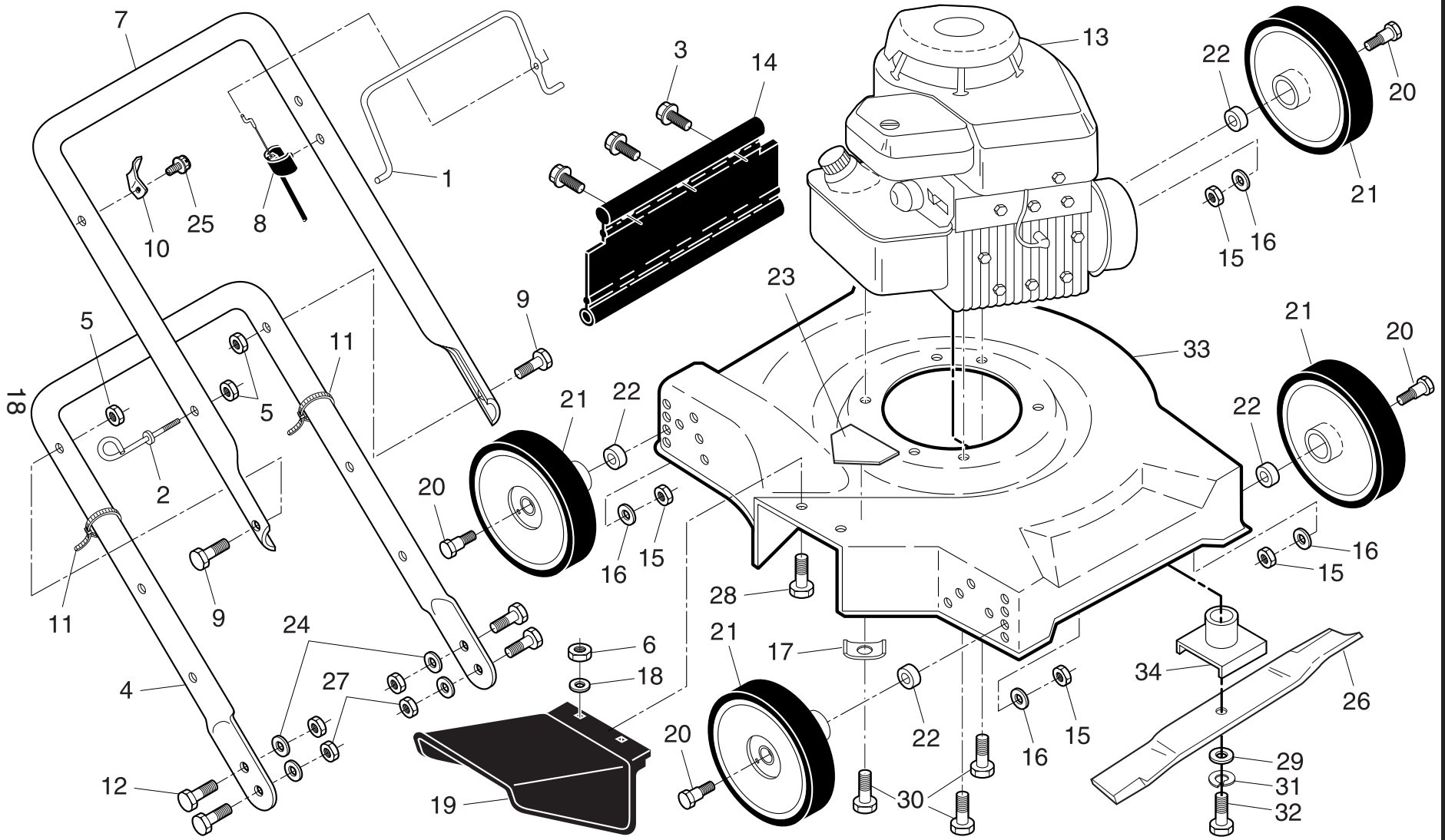


ROTARY LAWN MOWER -- MODEL NUMBER 20112X92E (20112X92E0, 20112X92E1)



www.mymowerparts.com

REPAIR PARTS

For Parts Call K&T 606-678-9623 or 606-561-4983

## ROTARY LAWN MOWER - - MODEL NUMBER **20112X92E** (20112X92E0, 20112X92E1)

KEY NO.	PART NO.	DESCRIPTION	KEY NO.	PART NO.	DESCRIPTION
1	194177X428	Control Bar	18	53847	Washer, Flat
2	179585	Rope Guide	19	752052	Discharge Guard
3	189241	Screw, Hex Washer Head, Self-Tapping #10-24 x 1/2	20	67609	Bolt, Shoulder 3/8-16 x 2-1/2
4	172146X479	Lower Handle	21	193850X427	Wheel & Tire Assembly, Model 20112X92E0
5	132004	Nut, Hex 1/4-20		800060	Wheel & Tire Assembly, Model 20112X92E1
6	73800400	Locknut, Hex 1/4-20	22	136624	Spacer
7	194217X479	Upper Handle	23	85463	Danger Decal
8	162778	Cable, Engine Zone Control	24	55611	Washer
9	74350424	Bolt, Hex Head 1/4-20 x 1-1/2	25	750634	Screw, Threaded, Rolled #10-24 x 1/2
10	86899X004	Up-Stop Bracket	26	145106	Blade, 20"
11	66426	Wire Tie	27	132010	Nut, Hex, Flangelock 3/8-16
12	137009	Bolt, Hex Head 3/8-16 x 1	28	74760412	Bolt, Hex Head 1/4-20 x 3/4
13	- - -	Engine, Briggs & Stratton, Model Number 9J902 (For engine service and replacement parts, call Briggs & Stratton at 1-800-233-3723)	29	851074	Washer, Hardened
14	189239	Rear Skirt	30	150406	Screw, Hex Head, Threaded, Rolled 3/8-16 x 1
15	751592	Nut, Hex, Nylock 3/8-16	31	850263	Helical Lock Washer
16	61537	Washer	32	851084	Screw, Hex Head, Machine, Grade 8, 3/8-24 x 1-3/8
17	851201X004	Engine Washer	33	189625	Housing Kit
			34	850977	Blade Adapter
			- -	161058	Decal, Warning
			- -	198933	Owner's Manual

**NOTE:** All component dimensions given in U.S. inches. 1 inch = 25.4 mm. **IMPORTANT:** Use only Original Equipment Manufacturer (O.E.M.) replacement parts. Failure to do so could be hazardous, damage your lawn mower and void your warranty.