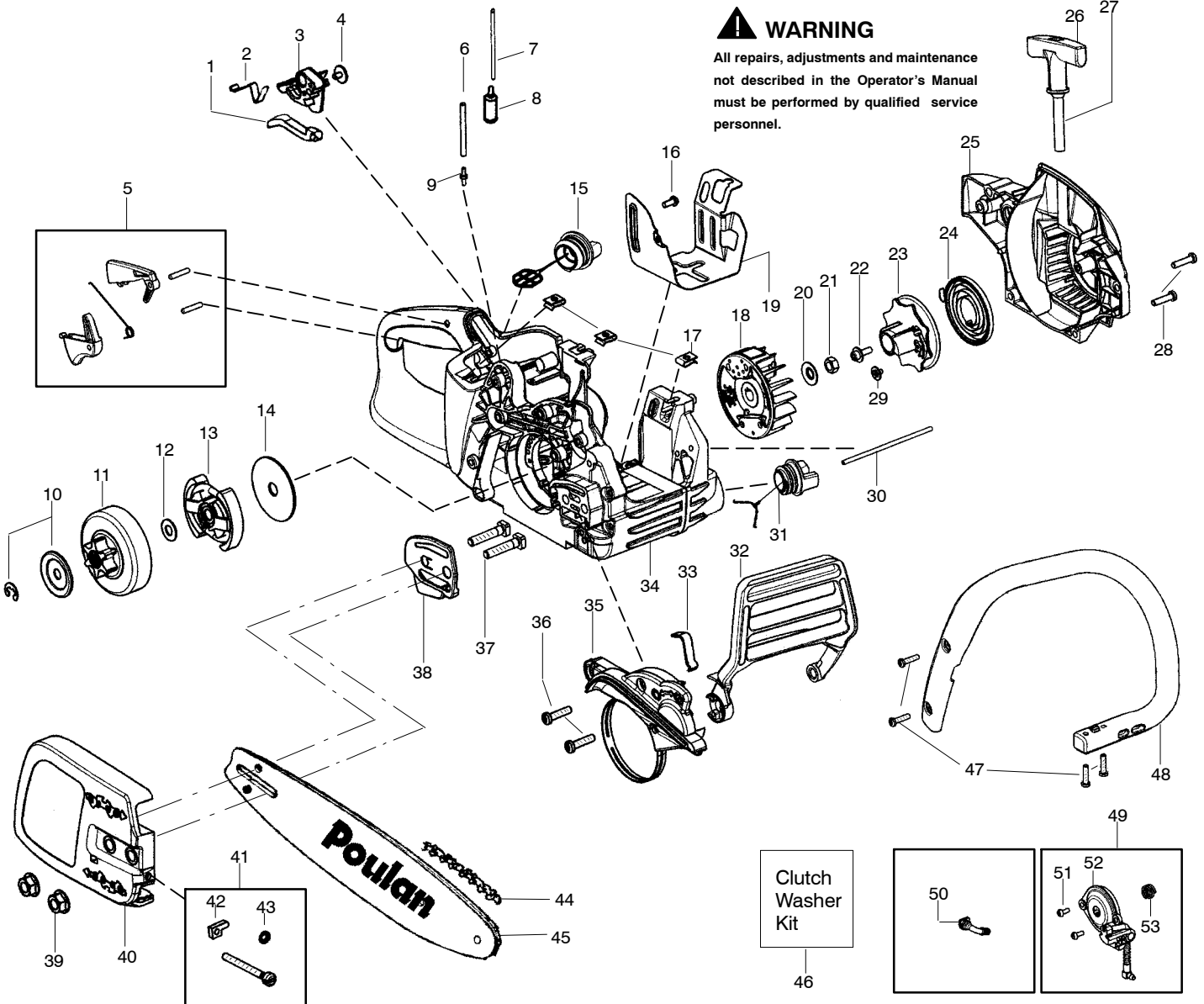


PARTS LIST NO. 530165457-01		Poulan® PARTS LIST	CHAIN SAW MODEL(S) P3314 WSA
DATE 3/3/05	Replaces 10/06/04 - 530165457-01		Note: Illustration may differ from actual model due to design changes

WARNING

All repairs, adjustments and maintenance not described in the Operator's Manual must be performed by qualified service personnel.

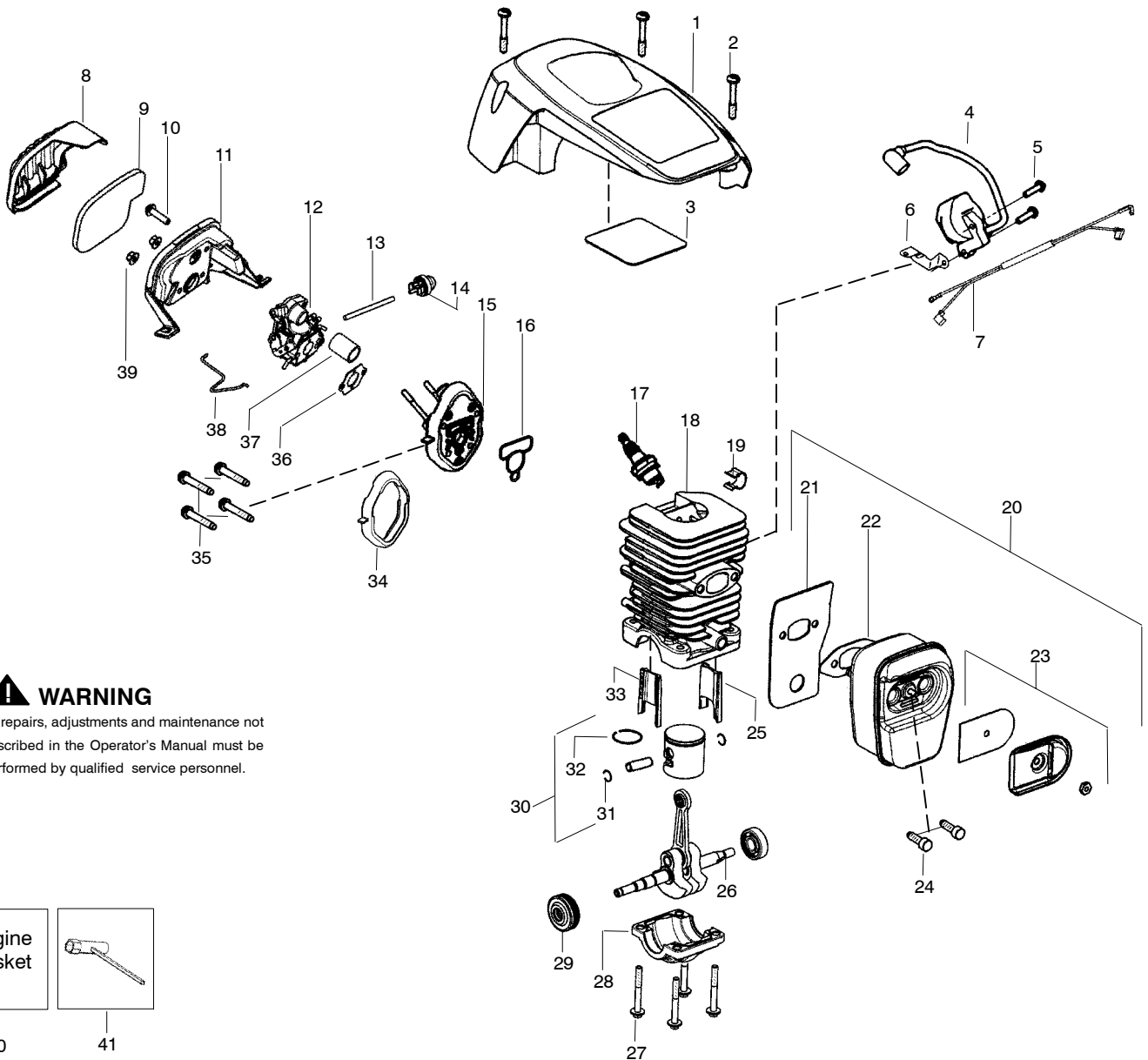


Ref.	Part No.	Description	Ref.	Part No.	Description	Ref.	Part No.	Description
1.	530057893	Knob-Choke	22.	530015920	Screw	40.	530057904-02	Assy-Clutch Cover (Incl. # 41)
2.	530057908	Spring-Ign. Switch	23.	530057890	Screw	41.	530069611	Kit-Bar Adjust (Incl. 42,43)
3.	530057891	Lever-Ign. Switch	24.	530042095	Spring-Starter	42.	530015826	Pin-Bar Adjust
4.	530016080	Screw	25.	530057889-02	Housing-Fan	43.	530038593	Retainer-Bar Adjust
5.	530071888	Kit-Trigger/Lockout	26.	530056402	Handle-Starter	44.	952051209	Accy-14" Chain
6.	530069216	Kit-Fuel Line (Large)	27.	530069232	Kit-Rope	45.	952044368	Accy-14" Bar
7.	530069247	Kit-Fuel Line (Small)	28.	530016432	Screw	46.	530071945	Kit-Clutch Washer (Incl. 10,12)
8.	530095649	Assy-Fuel Pick Up	29.	530016080	Screw	47.	530016432	Screw
9.	530023877	Fitting-Fuel line	30.	530058786	Assy-Oil Vent	48.	530057888	Handle-Front
10.	530071945	Kit- Clutch Washer	31.	530057236	Assy-Oil Cap w/ret.	49.	530071891	Kit-Oil Pump (Incl. 51,52,53)
11.	530057905	Assy-Clutch Drum 3/8"	32.	530057897	Handguard	50.	530057924	Assy-Oil Pick Up
12.	530071945	Kit-Clutch Washer	33.	530016416	Spring-Handguard	51.	530016064	Screw
13.	530057907	Assy-Clutch	34.	530058863	Assy-Chassis (Incl. 5,6,7,8,9,15,16, 17,19,31,33,37)	52.	530057931	Assy-Oil Pump
14.	530016419	Washer-Large Clutch	35.	530071893	Kit-Chainbrake	53.	530037820	Gear-Worm
15.	530047192	Assy-Fuel Cap w/ret	36.	530016432	Screw			
16.	530016064	Screw	37.	530016133	Bolt-Bar			
17.	530015922	Nut-"U" type speed	38.	530057910	Plate-Bar			
18.	530057937	Assy-Flywheel	39.	530015917	Nut-Bar			
19.	530057911	Shield-Heat						
20.	530015127	Washer-Flywheel						
21.	530016134	Nut-Flywheel						

✓ = NEW PART NUMBER FOR THIS IPL

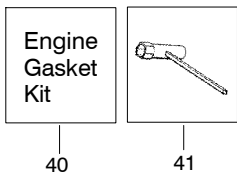
★ = REFER TO THE SERVICE REFERENCE INDICATED FOR MORE INFORMATION. (LOCATED AT END OF IPL)

PARTS LIST NO. 530165457-01		Poulan® PARTS LIST	CHAIN SAW MODEL(s) P3314 WSA
DATE 3/3/05	Replaces 10/06/04 - 530165457-01		Note: Illustration may differ from actual model due to design changes



WARNING

All repairs, adjustments and maintenance not described in the Operator's Manual must be performed by qualified service personnel.



Ref.	Part No.	Description	Ref.	Part No.	Description	Ref.	Part No.	Description
1.	530057894-01	Shield-Cylinder (incl. #3)	16.	530071894	Gasket-cyl. o-ring (kit)	32.	530038729	Ring-Piston
2.	530016153	Screw	17.	952030150	Accy-Spark Plug (RCJ-7Y)	33.	530057886	Insert-Right (gray) Cyl.
3.	530059006	Reflector-Tape	18.	530071884	Kit-Cylinder (Incl. 25,33)	34.	530071894	Seal-Adaptor (kit)
4.	530039198	Module - Ignition	19.	530016136	Clip-High Tension Lead	35.	530016426	Screw
5.	530016432	Screw	20.	530071887	Kit-Muffler (Incl .21-.23,24)	36.	530071894	Gasket-Carb. (kit)
6.	530047442	Strap-Ground	21.	530057942	Backplate-Muffler	37.	530057926	Tube-Intake
7.	530057943	Assy-Wire Harness	22.	530071894	Gasket-Muffler (kit)	38.	530057909	Wire-Throttle
8.	530058687	Cover-Air Filter	23.	530071886	Kit-Spark Arrestor	39.	530016101	Nut-Carb.
9.	530057925	Filter-Air	24.	530016338	Bolt-Muffler	40.	530071894	Kit-Gasket (Incl . 16,22,34,36)
10.	530016425	Screw	25.	530057885	Backplate-Muffler	41.	530031163	Wrench-Bar
11.	530057892	Housing-Air Filter	26.	530012537	Assy-Crankshaft/Rod			Not Shown
12.	---	Carburetor	27.	530016417	Bolt			
	530035590	Zama W-26	28.	530057941	Cap-Crankcase			
13.	530069247	Kit-Fuel Line (Small)	29.	530056363	Assy-Bearing/Seal			
14.	530047721	Bulb-Purge "snap-in"	30.	530071883	Kit-Piston (Incl. 31,32)			
15.	530071889	Kit-Carb. Adaptor (Incl. # 16,34,37)	31.	530015697	Retainer-Piston Pin			
							530165293	Manual-Operator
							530059107	Decal-Warning
							530058840	Decal-Start/Stop Inst.

✓ = NEW PART NUMBER FOR THIS IPL * = REFER TO THE SERVICE REFERENCE INDICATED FOR MORE INFORMATION. (LOCATED AT END OF IPL)