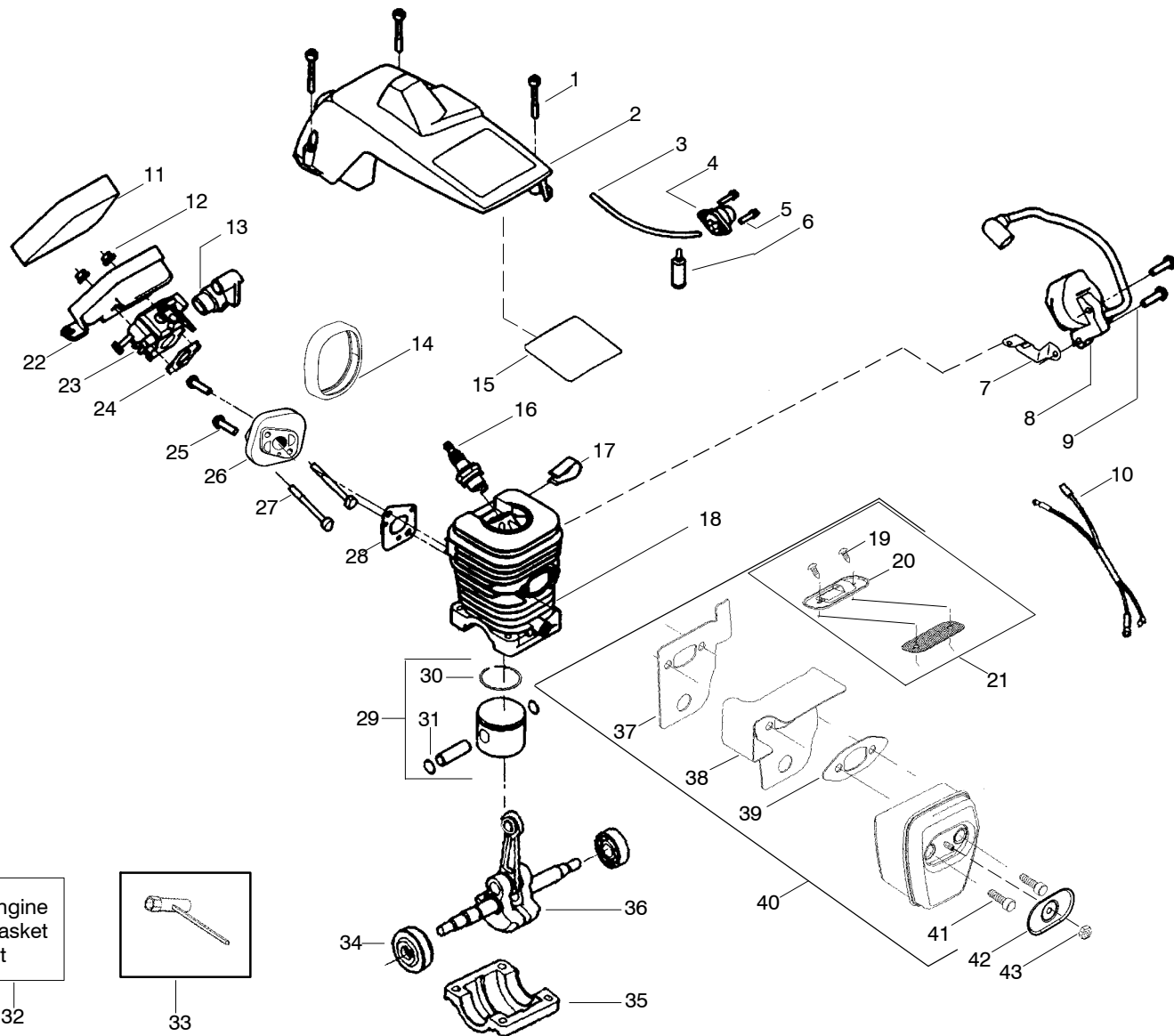




|                                    |     |  |   |
|------------------------------------|-----|--|---|
| PARTS LIST NO.<br><b>530164190</b> |     |  <b>SNAPPER</b> PARTS LIST | CHAIN SAW MODEL(S)<br><b>S1634LE</b>                                  |
| DATE<br><b>7/23/03</b>             | NEW |  | NOTE: Illustration may differ from actual model due to design changes |



| Ref. | Part No.  | Description                            | Ref. | Part No.  | Description                        | Ref. | Part No.  | Description                             |
|------|-----------|--|------|-----------|------------------------------------|------|-----------|---|
| 1.   | 530016153 | Screw                                  | 18.  | 530012550 | Cylinder                           | 32.  | 530069608 | Kit - Engine Gasket (Incl. 24, 28 & 39) |
| 2.   | 530055637 | Assy - Cylinder Shield (includes # 15) | 19.  | 530016351 | Screw - Outlet cover               | 33.  | 530031163 | Bar Wrench                              |
| 3.   | 530069247 | Kit - Fuel Line (Small)                | 20.  | 530055759 | Cover - Outlet                     | 34.  | 530056363 | Assy - Seal & Bearing                   |
| 4.   | 530047213 | Assy - Air Purge                       | 21.  | 530071413 | Kit - Spark Arrestor (Incl. 19,20) | 35.  | 530037935 | Cap - Crankcase                         |
| 5.   | 530015780 | Screw                                  | 22.  | 530037804 | Air Filter Housing                 | 36.  | 530047062 | Assy - Crankshaft                       |
| 6.   | 530095646 | Assy - Fuel Pick-up                    | 23.  | 530071622 | Kit - Carburetor (WT - 637)        | 37.  | 530054885 | Backplate                               |
| 7.   | 530047442 | Strap - Ground                         | 24.  | 530069608 | Gasket - Carb. (kit)               | 38.  | 530054880 | Guide - Outlet                          |
| 8.   | 530039198 | Ignition Module                        | 25.  | 530016386 | Screw                              | 39.  | 530069608 | Gasket - Muffler (kit)                  |
| 9.   | 530015814 | Screw                                  | 26.  | 530049700 | Carb. Adapter                      | 40.  | 530054886 | Assy - Muffler (Incl. 37 - 39,41)       |
| 10.  | 530052296 | Assy - Wire Harness                    | 27.  | 530016187 | Screw                              | 41.  | 530016338 | Bolt - Muffler                          |
| 11.  | 530037793 | Foam - Air Filter                      | 28.  | 530069608 | Gasket - Adaptor (kit)             | 42.  | 530055586 | Cover - Bolt                            |
| 12.  | 530016101 | Nut                                    | 29.  | 530071408 | Kit - Piston (Incl. 30 & 31)       | 43.  | 530016359 | Nut - Brass                             |
| 13.  | 530035526 | Grommet - Carb Adjust                  | 30.  | 530038729 | Ring - Piston                      |      |           |   |
| 14.  | 530054144 | Seal - Carb Adapter                    | 31.  | 530015697 | Retainer - Piston Pin              |      |           |   |
| 15.  | 530055698 | Reflector - Heat                       |      |           |                                    |      |           |   |
| 16.  | 952030150 | Spark Plug (RCJ - 7Y)                  |      |           |                                    |      |           |   |
| 17.  | 530016136 | Clip - High Tension Lead               |      |           |                                    |      |           |   |

✓ = NEW PART NUMBER FOR THIS IPL      \* = REFER TO THE SERVICE REFERENCE INDICATED FOR MORE INFORMATION. (LOCATED AT END OF IPL)  
 ● = THESE PARTS ARE ILLUSTRATED FOR CLARITY. ORDER COMPLETE ASSEMBLY.