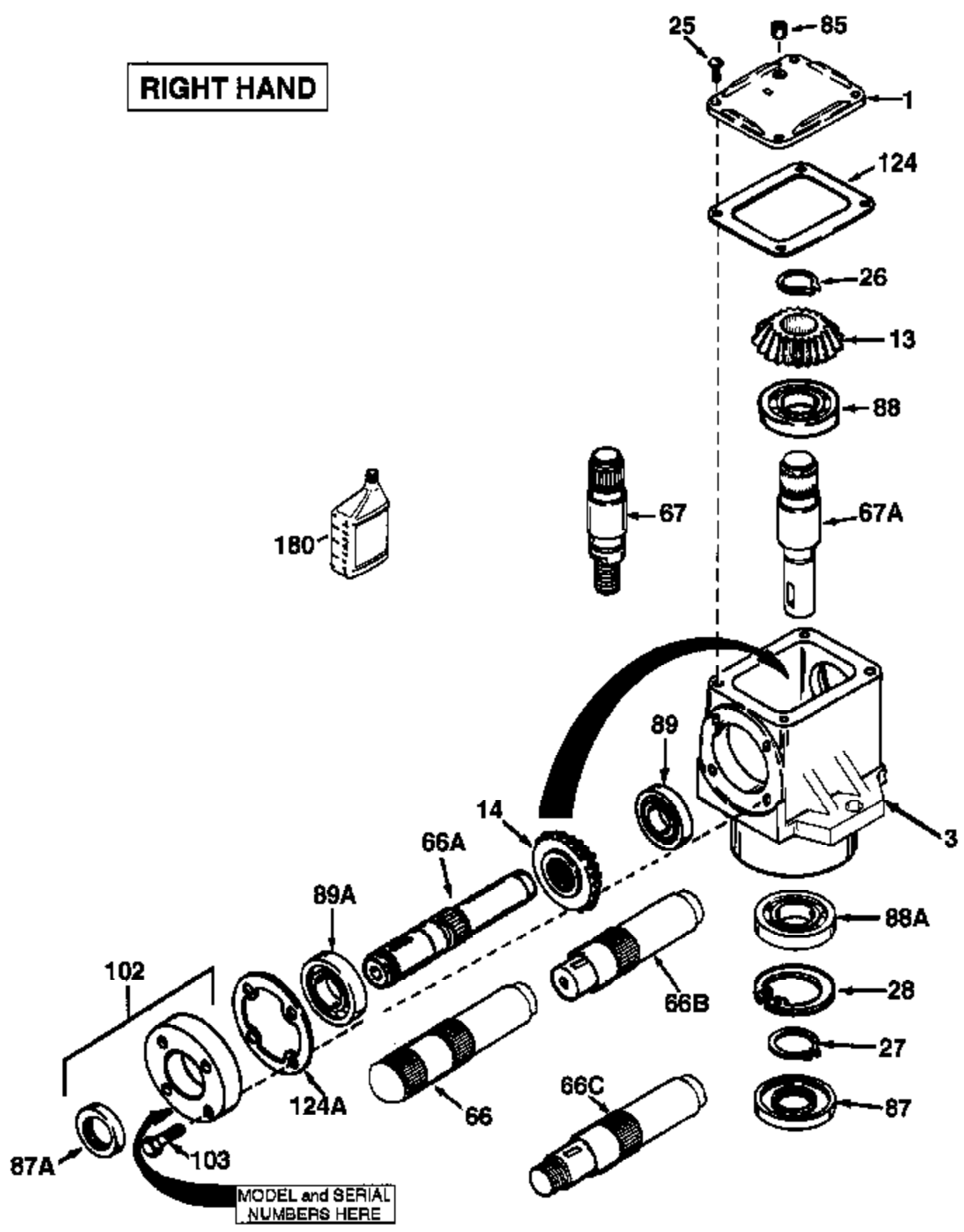


**RIGHT HAND**



| Ref # | Part Number | Qty | Description                                 |
|-------|-------------|-----|---------------------------------------------|
| 1A    | 786105      | 1   | Retainer Cap                                |
| 1     | 786104A     | 1   | Retainer Cap                                |
| 3     | 770076      | 1   | Right Angle Drive Housing                   |
| 8     | 792114      | 2   | Woodruff Key                                |
| 13    | 778167      |     | Bevel Gear (25 teeth) (Model 1100-042 )     |
| 13    | 778169      | 1   | Bevel Gear (27 teeth) (Model 1100-041 )     |
| 14    | 778171      |     | Bevel Gear (26 teeth) (Model 1100-042 )     |
| 14    | 778173      | 1   | Bevel Gear (18 teeth) (Model 1100-041 )     |
| 25    | 792037      | 8   | Screw, 5/16-18 x 1"                         |
| 26    | 780137      | 1   | Load Ring                                   |
| 28    | 792113      | 3   | Retaining Ring                              |
| 29    | 792115      | 1   | Washer                                      |
| 30    | 780131      | 1   | Shim (1.92" OD x 1-1/64" ID x .002 t hick)  |
| 31    | 780138      | 1   | Shim (2" OD x 1.531" ID x .002 thick)       |
| 32    | 788063      | 2   | "O" Ring                                    |
| 43    | 792110A     | 1   | Hex Jam Nut                                 |
| 66    | 776381      | 1   | Input Shaft                                 |
| 67    | 776382      | 1   | Output Shaft                                |
| 72    | 792111      | 1   | Plug                                        |
| 85A   | 792039      | 1   | Plug, 1/8-27                                |
| 85B   | 792118      | 1   | Relief Valve                                |
| 85    | 792116      | 2   | Pipe Plug, 1/4-18                           |
| 87A   | 788065      | 1   | Oil Seal 1"                                 |
| 87    | 788064      | 1   | Oil Seal 1"                                 |
| 88    | 780132      | 3   | Bearing & Cup Assembly (SEE REPAIR MA NUAL) |
| 91    | 780134      | 1   | Bearing & Cup Assembly (SEE REPAIR MA NUAL) |
| 124   | 780136      | 1   | Shim                                        |
| 180   | 730229A     | 1   | Gear Oil 80W90                              |

1100-1100-041 Page 2 of 2  
Peerless