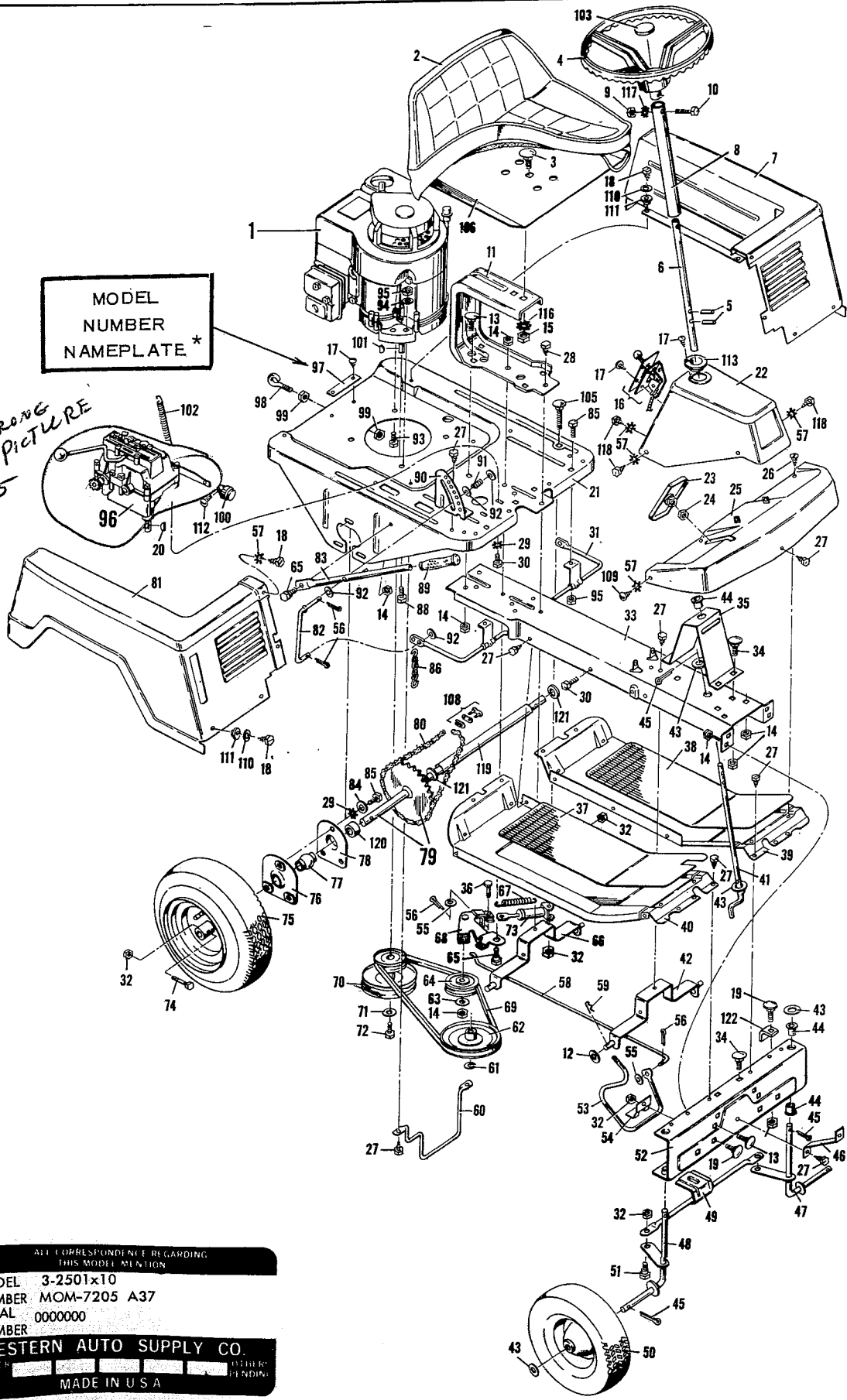


2XC 7205 RIDING MOWER

NO. 61-483  
MOM

### SECTION V RIDING MOWER ILLUSTRATION



MODEL  
NUMBER  
NAMEPLATE \*

*See WRONG  
Picture  
Page 25*

\* ALL CORRESPONDENCE REGARDING THIS MODEL MENTION

MODEL 3-2501x10  
 NUMBER MOM-7205 A37  
 SERIAL 0000000  
 NUMBER

**WESTERN AUTO SUPPLY CO.**

WESTERN AUTO SUPPLY CO. PAT. NO. [ ] OTHER PAT. NO. [ ]  
 MADE IN U.S.A.

**RIDING MOWER PARTS LIST**

NO. 61-483  
MOM

When ordering repair parts, always give the following information as shown in this list:

1. The PART NUMBER - If Listed    2. The PART NAME    3. The MODEL NUMBER    4. The NAME OF ITEM - Riding Mower

Do not use Key Numbers when ordering Repair Parts, always use Part Numbers. Your lawn mower is right hand (R.H.) or left hand (L.H.) as you ride.

KEY NO.	PART NO.	DESCRIPTION	APPROX. SELL PRICE	KEY NO.	PART NO.	DESCRIPTION	APPROX. SELL PRICE
1	----	Engine *	---	60	20677	Belt Guide	\$.64
2	20724	Seat Pad	\$10.67	61	20698	Retainer Ring	.20
3	2x55	Carriage Bolt 1/2-13x1	.44	62	20614	Trans Pulley	3.83
4	21302	Steering Wheel	8.87	63	17x53	Plain Washer	.20
5	32x70	Spring Pin	.20	64	20613	Idler Pulley	3.96
6	20865	Steering Post	.74	65	20662	Shoulder Bolt	.36
7	20599	Shroud Ass'y.-L. Hand	5.88	66	20665	Rear Hanger Brk't. Ass'y.	2.33
8	21172C	Sleeve	.47	67	20682	Spring Drive Idler	.46
9	15x1	Keps Nut 1/4-20	.25	68	20670	Drive Idler Ass'y.	2.70
10	6x50	Hex Cap Screw 1/4-20x1 1/2	.20	69	20716	Drive Belt †	2.44
11	20630	Seat Bracket	3.07	70	20626Z	Stack Pulley Ass'y.	4.46
12	17x67Z	Plain Washer	.20	71	10851Z	Plain Washer	.20
13	2x56	Carriage Bolt 3/8-16x7/8	.20	72	1x20	Hex Bolt 3/8-24x1	.20
14	15x79	Locknut 3/8-16	.20	73	20891	Air Cylinder	2.09
15	15x64	Hex Nut 1/2-13	.21	74	1x81	Hex Bolt 5/16-18x1 3/4	.20
16	21225	Remote Control Unit	2.40	75	21178	Rear Wheel & Tire	17.24
17	26x159	Self Tapping Scr. #8x3/8	.20	76	21009Z	Outer Brg. Ret. Ass'y.	1.08
18	26x184	Hex Tapping Scr. #10x5/8	.23	77	20568	Bronze Bearing	3.07
19	2x53	Carriage Bolt 5/16-18x5/8	.20	78	20570Z	Retainer-Inner	.54
20	20697	Woodruff Key #9	.28	79	20528	Axle & Sprocket	12.35
21	20530	Engine Base	14.09	80	20732	Roller Chain & Link #41	3.06
22	20565	Console Assy.	4.56	81	21254	Shroud Ass'y.-R. Half	5.28
23	20575E	Pedal Ass'y.	.55	82	20672Z	Connector Rod	.45
24	15x63	Hex Nut 7/16-14	.27	83	20658Z	Lever & Pin Ass'y.	1.62
25	20474	Apron	3.10	84	10851Z	Plain Washer	.20
26	26x179	Tapping Scr.-Flat Hd. #10x1/2	.23	85	1x77	Hex Bolt 3/8-24x5/8	.20
27	26x50	Hex Tapping Scr. 5/16x5/8	.20	86	20699	Chain-Lifter	.38
28	26x51	Hex Tapping Scr. 5/16x3/4	.23	88	1x74	Hex Bolt 5/16-24x1 1/4	.20
29	19x6	Sh. Pr. Washer	.20	89	20718	Grip	.30
30	1x45	Hex Bolt 5/16-18x5/8	.20	90	20636	Index Brk't.	.76
31	20635Z	Lifting Rod & Hinge Ass'y.	2.92	91	20680	Spring-Lifter	.20
32	15x79	Locknut 5/16-18	.23	92	17x46	Plain Washer	.20
33	20544	Frame Channel	4.25	93	20103	Engine Bolt 3/8-16x1	.33
34	2x56	Carriage Bolt 3/8-16x3/4	.20	94	17x47	Plain Washer	.20
35	21071	Steering Supt.	1.66	95	15x42	Locknut 5/16-24	.20
36	29x94	Clevis Pin	.20	96	21346	Transmission-1 Spd.	41.09
37	20690	Mat. R. H.	2.62	97	20883	Model No. Plate	.20
38	20691	Mat. L. H.	2.62	98	20696	Eye Bolt	.64
39	20541	Running Brd. - L. H.	3.47	99	15x33	Hex Nut 3/8-24	.20
40	20540	Running Brd. - R. H.	3.07	100	20841	Brake Lever Knob	1.40
41	20864	Lower Strg. Post	1.20	101	20062	Woodruff Key #6	.30
42	20664	Frnt. Hanger Brk't. Ass'y.	2.26	102	21021	Brake Spring	.36
43	17x100	Plain Washer	.20	103	21303	Steering Whl. Cap	.44
44	20587	Nylon Bearing	.20	105	2x58	Carriage Bolt 5/16-18x2 1/2	.20
45	30x49	Cotter Pin	.20	106	20726	Seat Pan Ass'y.	6.90
46	20639	Apron Support	.24	108	20730	Connecting Link	.34
47	21309	Spindle & Arm Ass'y.-L. H.	2.88	109	26x186	Truss Hd. Tap. Scr. #10x1/2	.20
48	21308	Spindle & Arm Ass'y.-R. H.	2.88	110	17x106	Pl. Washer	.20
49	21304	Tie Bar Ass'y.	2.44	111	20720	Grommet	.20
50	20741	Frnt. Wheel & Tire	10.44	112	26x168	Self Tapping Scr. #8x1/4	.20
51	20660	Shoulder Bolt	.26	113	21034	Nylon Bearing	.66
52	20545	Frnt. Axle Beam	2.94	116	19x36	Sh. Pr. Washer	.20
53	20645	Clutch & Brake Lever	1.40	117	19x4	Shakeproof Washer	.20
54	20572	Camp	.20	118	26x184	Hex Tapping Scr. #10x3/8	.23
55	17x32	Plain Washer	.20	119	21359Z	Sleeve	.43
56	30x20	Cotter Pin	.20	120	21082	Collar & Set Screw	1.50
57	19x1	Sh. Pr. Washer	.20	121	61961	Washer	.20
58	20669	Brake Rod	.70	122	20709	Stop Brace	.20
59	20692	Hair Pin Cotter	.20				

\*Your Engine Model, Type & Code Number Is Stamped On Blower Housing.

\*When the manufacturer's belt is not available, Gates' belt No. 2370 may be substituted for such manufacturer's belt.

Prices Are Approximate And Subject To Change Without Notice. Parts Prices F.O.B. Shipping Point.

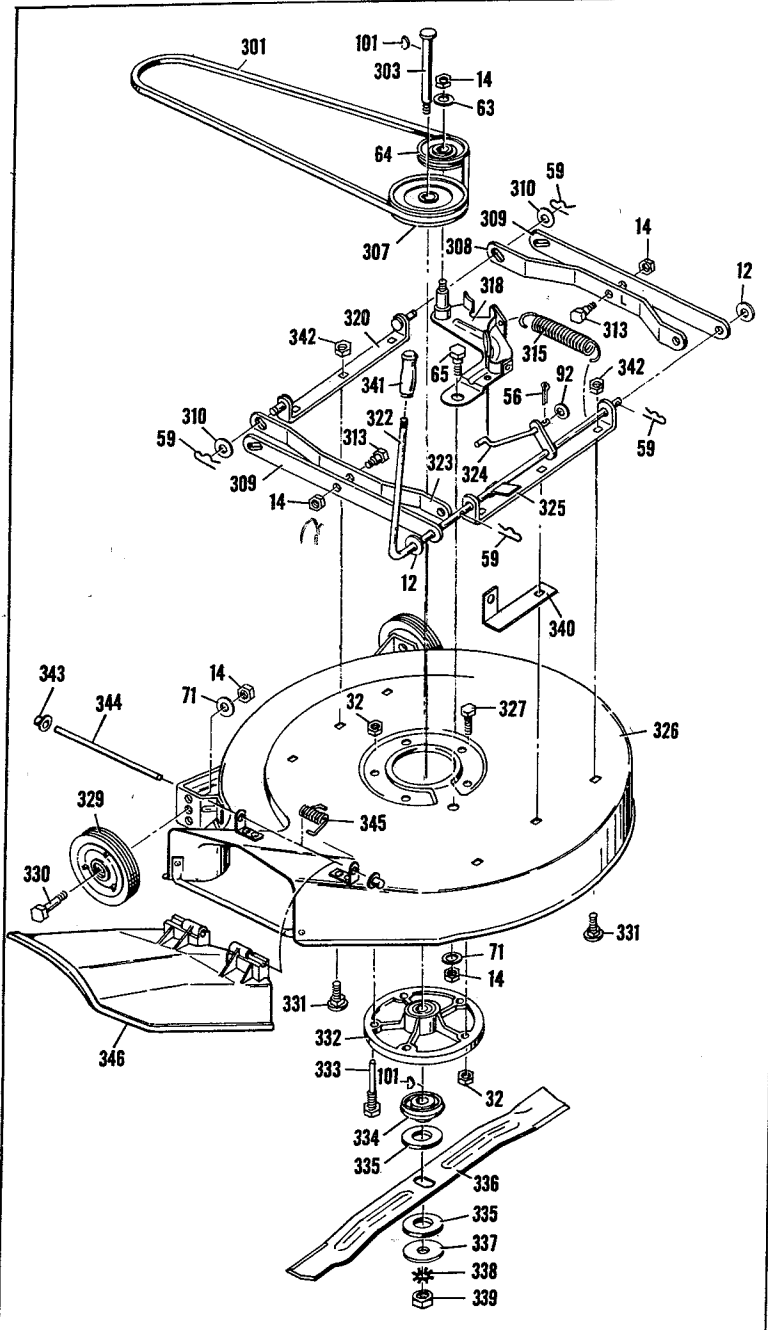
2XC 7205 RIDING MOWER

NO. 61-483  
MOM

**SECTION V**

**BLADE HOUSING ILLUSTRATION AND PARTS LIST**

When ordering repair parts, always give the following information as shown in this list:  
1. PART NUMBER; 2. PART NAME; 3. MODEL NUMBER; 4. NAME OF ITEM - Riding Mower  
Do not use Key Numbers when ordering Repair Parts, always use Part Numbers.  
Your lawn mower is right (R.H.) or (L.H.) as you ride.



KEY NO.	PART NO.	PART NAME	APPROX. SELL. PRICE
12	17x67Z	Plain Washer	.20
14	15x12	Locknut 3/8-16	.20
32	15x43Z	Locknut 5/16-18	.20
56	30x20	Cotter Pin	.20
59	20692	Hair Pin Cotter	.20
63	17x53	Plain Washer	.20
64	20613	Idler Pulley	3.96
65	20662	Shoulder Bolt	.36
71	10851Z	Plain Washer	.20
92	17x46	Plain Washer	.20
101	20062	Woodruff Key #6	.30
301	20717*	Blade Belt	3.54
303	20616	Jack Shaft	2.75
307	20615	Jack Shaft Pulley	3.12
308	20643	Inner Arm L.H.	1.80
309	20644	Outer Arm	1.64
313	20661	Shoulder Bolt	.36
315	20681	Spring	.58
318	20671	Idler Brk't. & Brake Assy.	3.03
320	20668	RR. Scissor Brk't. Assy.	2.28
322	21213Z	Lever and Link Assy	1.88
323	20642E	Inner Arm R.H.	.85
324	20673Z	Rod-Blade Brake	.82
325	20666E	Frt. Scissor Brk't.	.48
326	21218	Housing Assy.	13.12
327	1x73	Hex Bolt 5/16-18x7/8	.20
329	20629	Gauge Wheel	1.90
330	20086	Axle Bolt	.28
331	2x54	Step Bolt 5/16-18x5/8	.41
332	20551	Jackshaft Hsng. Assy.	7.90
333	20619	Guide Bolt	.38
334	20617	Blade Adapter	1.46
335	20618	Blade Cushion	.40
336	20083	Blade	4.49
337	20663Z	Washer	.30
338	19x36	Sh. Pr. Washer	.20
339	15x72	Hex Nut 1/2-20	.20
340	21216	Switch Retainer	.20
341	20719	Grip	.44
342	15x79	Flange Nuts 5/16-18	.20
343	28x23	Push-On-Cap	.20
344	21197Z	Deflector Rod	.21
345	21189	Torsion Spring	.49
346	21151	Chute Deflector	1.64

† When the manufacturer's belt is not available, Gates' belt No. 6856 may be substituted for such manufacturer's belt.

Prices shown are approximate and subject to change without notice.  
Parts Prices F.O.B. Shipping Point.

2XC 7205 RIDING MOWER

NO. 61-483

MOM

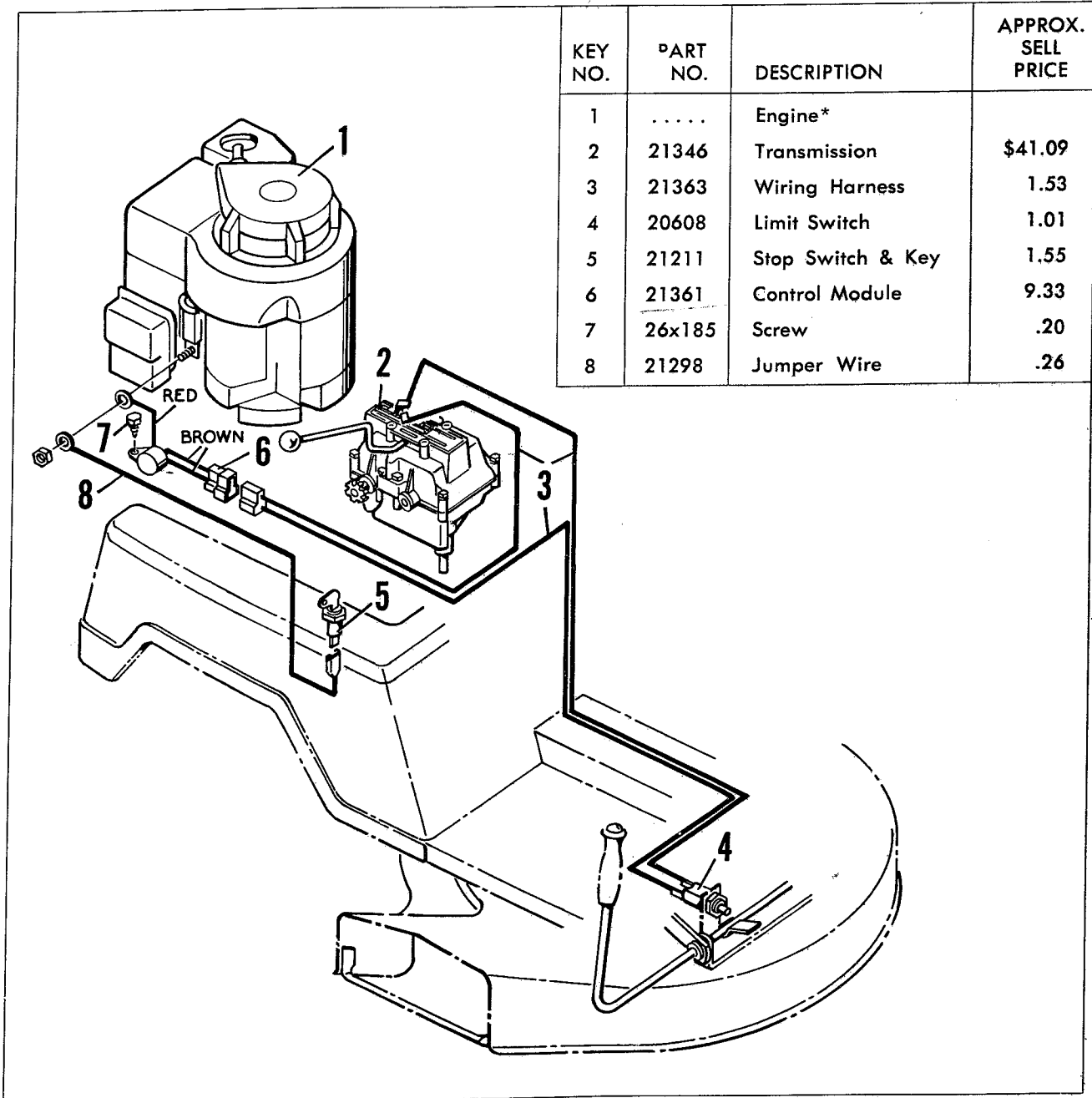
**SECTION V (Continued)**

**WIRING DIAGRAM ILLUSTRATION AND PARTS LIST**

When ordering repair parts, always give the following information as shown in this list:

1. PART NUMBER; 2. PART NAME; 3. MODEL NUMBER; 4. NAME OF ITEM - Riding Mower

Do not use Key Numbers when ordering Repair Parts, always use Part Numbers.  
Your lawn mower is right (R.H.) or (L.H.) as you ride.



Prices shown are approximate and subject to change without notice.

Parts Prices F.O.B. Shipping Point.