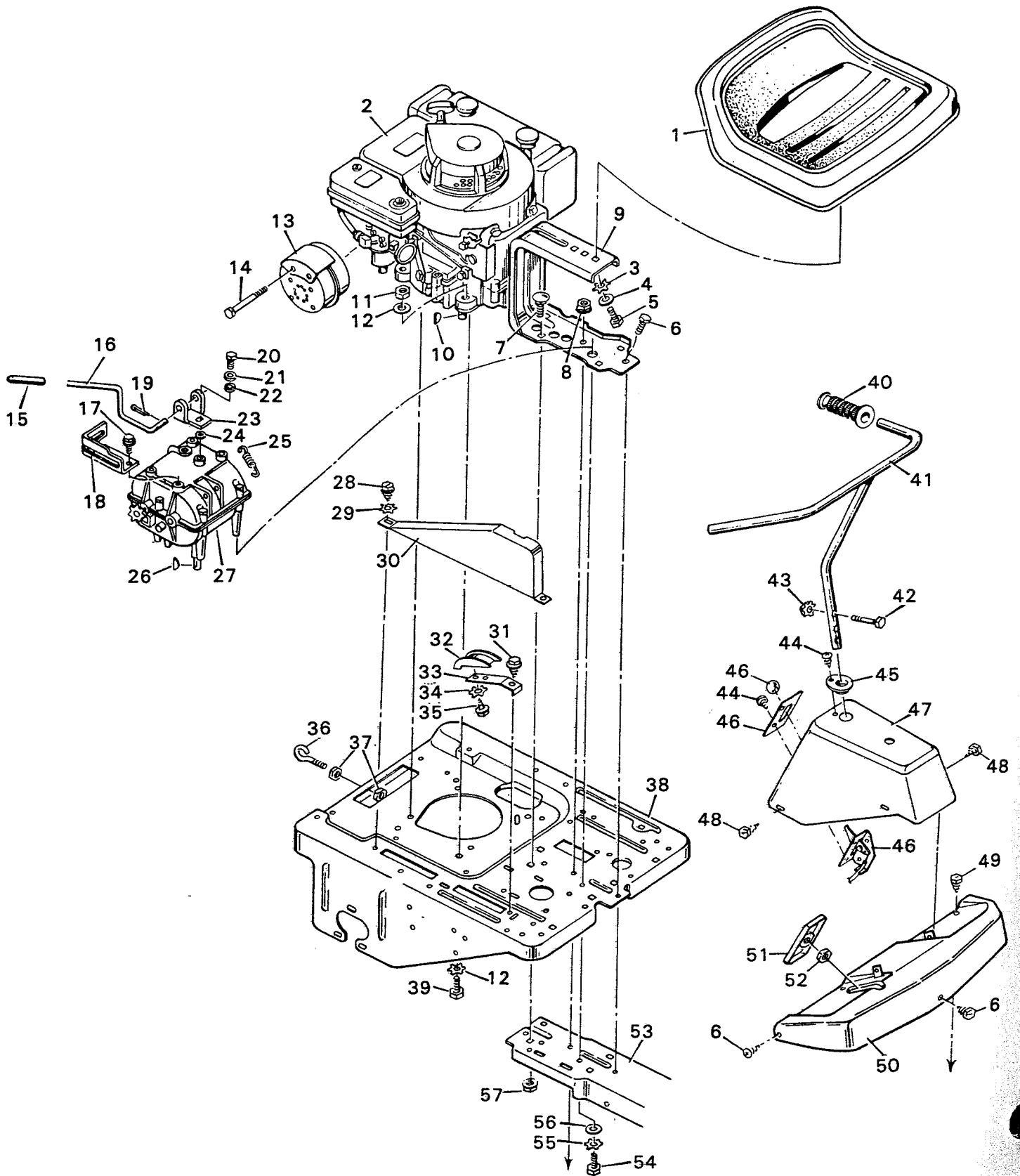


BODY PARTS ILLUSTRATION

FACTORY MODEL NO. 4-30105X10  
CUSTOMER MODEL NO. MOM 7102A48

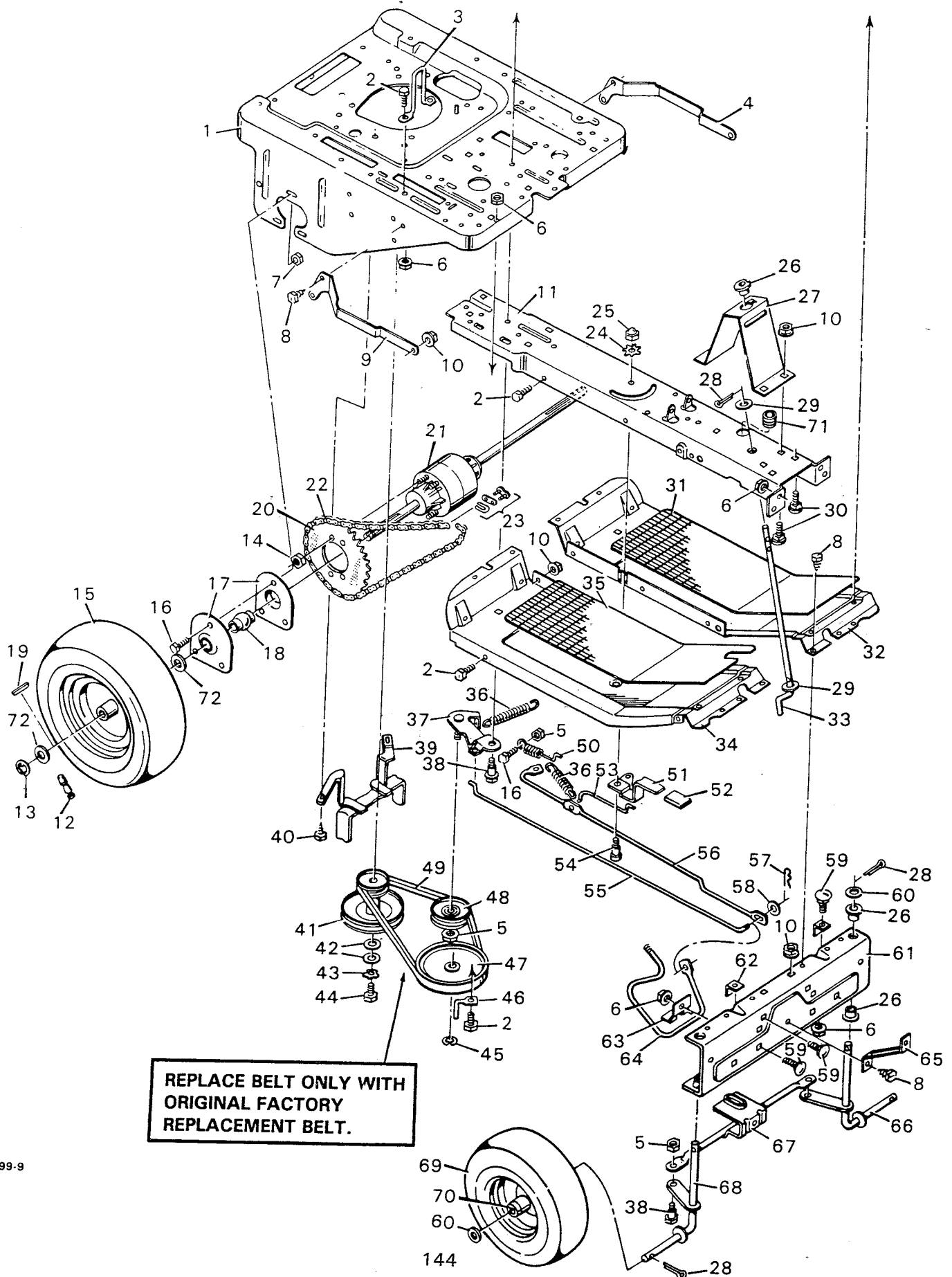


D-4432-1

**BODY PARTS LIST**

**FACTORY MODEL NO. 4-30105X10  
CUSTOMER MODEL NO. MOM 7102A48**

KEY NO.	DESCRIPTION	PART NO.	KEY NO.	DESCRIPTION	PART NO.
1	Seat	23569	31	Screw 5/16''X3/8''	26X174
2	Engine	-----	32	Guide Block	23403
3	Shakeproof Washer	19X36	33	Leaf Spring	23402
4	Washer	17X67Z	34	Shakeproof Washer	19X4
5	Hex Bolt 1/2''-13X3/4''	1X88	35	Screw 1/4''X1/2''	26X195
6	Screw 5/16''X3/4''	26X197	36	Eye Bolt	20696
7	Carriage Bolt 3/8''-16X3/4''	2X56	37	Hex Nut 3/8''-24	15X33
8	Flange Locknut 3/8'-16	15X84	38	Engine Base	23427
9	Seat Bracket Assembly	24567	39	Engine Mount Bolt	20103
10	Woodruff Key No. 6	20062	40	Grip	20171
11	Hex Nut 5/16''-24	15X42	41	Handlebar	54122
12	Washer	19X8	42	Hex Bolt 1/4''-20X11/4''	1X94
13	Muffler	90331PA	43	Keps Nut 1/4''-20	15x66
14	Hex Bolt 1/4''-20X3 1/4''	1X117	44	Screw #8X3/8''	26X159
15	Grip, Shift Lever	54127	45	Nylon Bearing	23404
16	Shift Lever	24835	46	Remote Control and Knob	21224
17	Screw 5/16''X1''	26x207	47	Console Assembly	23449
18	Gate Bracket	24999	48	Screw 1/4''X1/2''	26X214
19	Cotter Pin	30X20	49	Screw #10X1/2''	26X179
20	Hex Bolt 1/4''-28X1/2''	1X82	50	Apron Assembly	20474
21	Washer	17X32Z	51	Pedal Assembly	20575E
22	Lockwasher	18X32	52	Hex Nut	15X63
23	Yoke Bracket	24834Z	53	Channel Assembly	23673
24	Washer	17X134	54	Hex Bolt 5/16''-18X3/4''	1X91
25	Extension Spring	165X28	55	Shakeproof Washer	19X6
26	Woodruff Key No. 9	20697	56	Washer	10851Z
27	Transmission	-----	57	Flange Nut 3/8''-16	15X68Z
28	Scew #10X3/8''	26185			
29	Shakeproof Washer	19X1			
30	Chain Guard	55252			



D-4199-9

**DRIVE PARTS LIST**

**FACTORY MODEL NO. 4-30105X10**

**CUSTOMER MODEL NO. MOM 7102A48**

KEY NO.	PART NO.	DESCRIPTION	KEY NO.	PART NO.	DESCRIPTION
1	23427	Engine Base	36	165X2	Drive Idler Spring
2	1X45	Hex Bolt 5/16-18-5/8	37	23122Z	Drive Idler Assembly
3	23553Z	Chain Clamp	38	9X15Z	Shoulder Bolt
4	23456	L.H. Running Board Support	39	24714Z	Belt Guide Assembly
5	15X84	Flange Locknut 3/8-16	40	26X50	Screw
6	15X79	Flange Nut 5/16-18	41	23506Z	Stack Pulley Assembly
7	15X85	Flange Nut 3/8-16	42	10851Z	Washer
8	26X197	Screw	43	19X39	Shakeproof Washer
9	23455	R.H. Running Board Support	44	1X20	Hex Bolt 3/8-24X1
10	15X68Z	Flange Nut 3/8-16	45	11X7	Retainer Ring
11	23673	Frame Channel	46	23470Z	Belt Guide-Trans. Pulley
12	24373	Valve Stem & Cap†	47	23615	Transmission Pulley
13	11X3	Retainer Ring	48	20613	Idler Pulley
14	15X88	Flange Locknut 5/16"-18	49	37X5	Drive Belt
15	54167	Wheel and Tire Assembly	50	165X11	Brake Spring
--	54168	Tire Only†	51	21829Z	Parking Brake Lever
--	54166	Wheel Only†	52	23340	Parking Brake Grip
--	24373	Valve Stem and Cap	53	23120	Parking Brake Link
16	1X85	Hex Bolt 3/8-16X¾	54	6X46	Shoulder Screw
17	20570Z	Bearing Retainer	55	20669	Clutch & Brake Rod
18	24944	Rear Axle Bearing	56	23118	Brake Rod
19	21553	Square Key	57	30X20	Cotter Pin
20	90188	Sprocket-50 Tooth	58	17X32	Washer
21	55000	Differential & Axle Unit	59	2X53	Carriage Bolt 5/16-18X5/8
22	54189	Roller Chain	60	17X100Z	Washer
23	20730	Connecting Link	61	20545	Front Axle Beam
24	19X4	Shakeproof Washer	62	20709	Stop Clip
25	14X77	Acorn Nut	63	20572	Clutch & Brake Lever
26	20587	Spindle Bearing-Nylon	64	20645	Clutch & Brake Lever
27	21071	Steering Support	65	20639	Apron Support
28	30X49	Cotter Pin	66	24980	L.H. Spindle Assembly
29	17X87Z	Washer	67	24700	Tie Bar Assembly
30	2X56	Carriage Bolt 3/8-16X¾	68	24979	R.H. Spindle Assembly
31	20691	L.H. Running Mat	69	55267	Front Wheel & Tire
32	20541	L.H. Running Board	--	24394	Tire Only*
33	20864	Lower Steering Post	--	55266E	Wheel Only*
34	20540	R.H. Running Board	--	24373	Valve Stem & Cap*
35	20690	R.H. Rubber Mat	70	24368	Front Wheel Bearing*
			71	21268	Grommet
			72	17X113	Washers

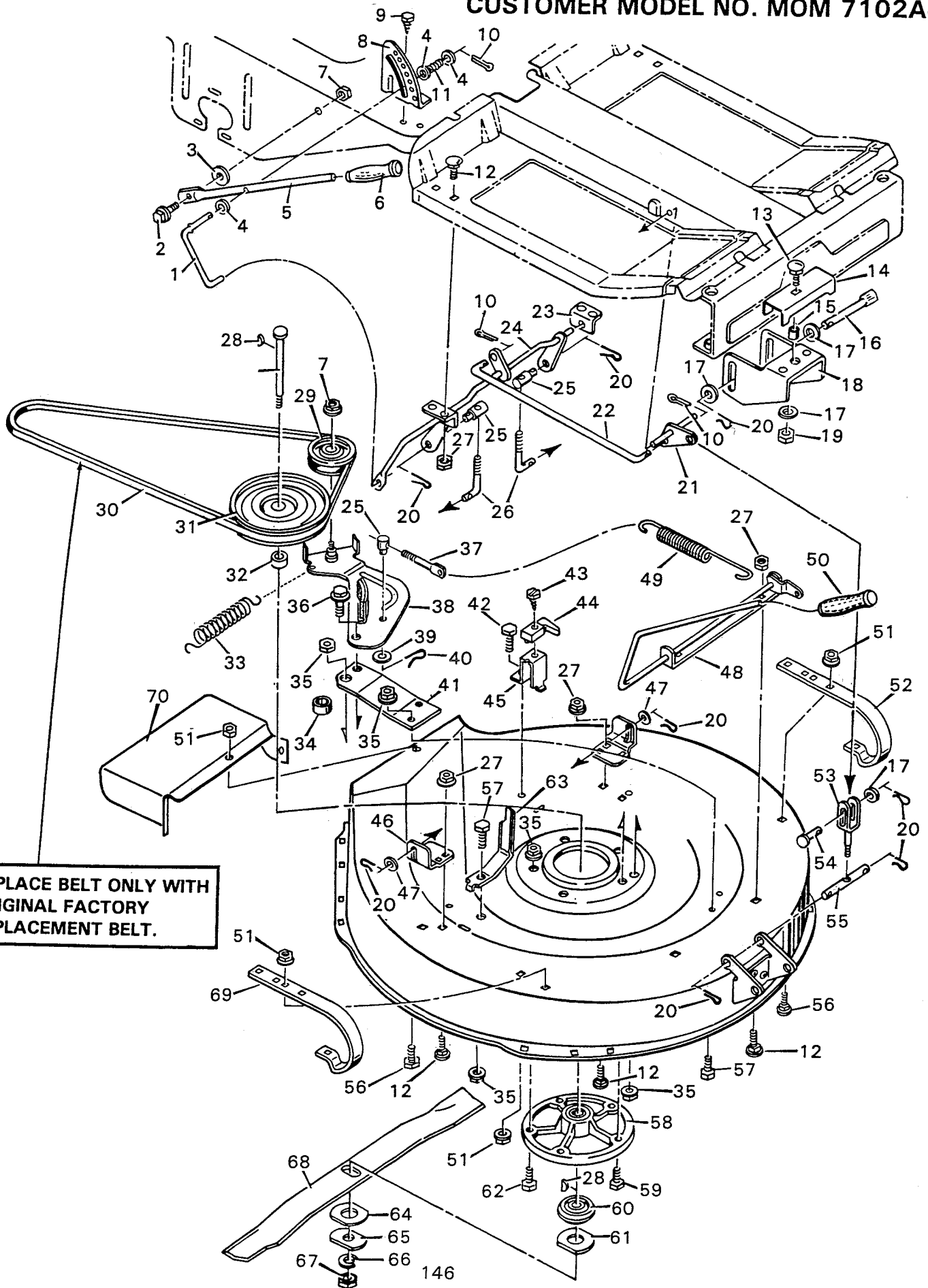
†Included with Key No. 15.

\*Included with Key No. 69. NOTE: When ordering replacement parts specify the brand name of the tire to insure tire tread patterns match.

MOWER HOUSING ILLUSTRATION

FACTORY MODEL NO. 4-30105X10

CUSTOMER MODEL NO. MOM 7102A40



REPLACE BELT ONLY WITH ORIGINAL FACTORY REPLACEMENT BELT.

**MOWER HOUSING PARTS LIST**

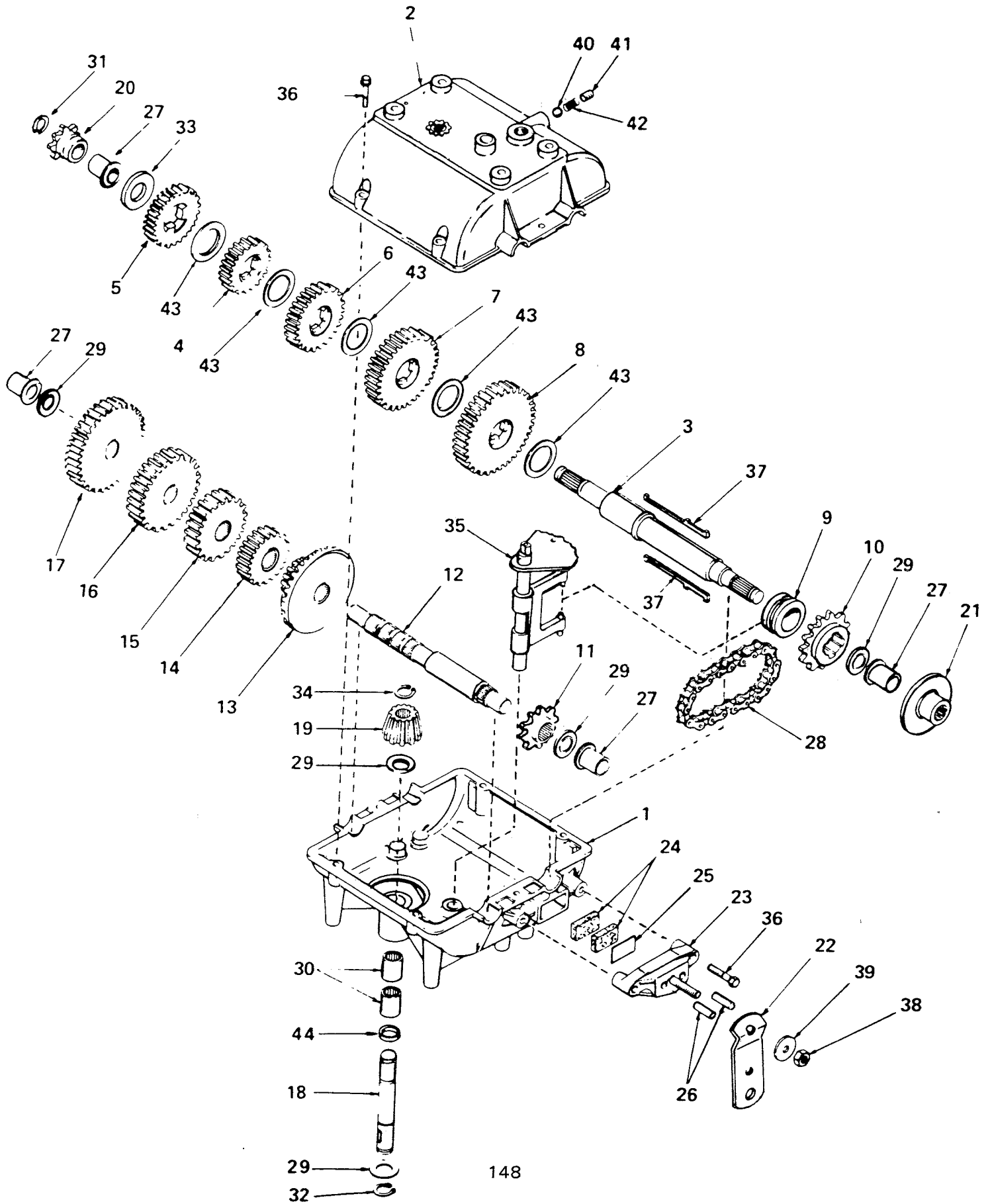
**FACTORY MODEL NO. 4-30105X10  
CUSTOMER MODEL NO. MOM 7102A48**

KEY NO.	PART NO.	DESCRIPTION	KEY NO.	PART NO.	DESCRIPTION
1	21886	Lifter Rod	36	9X15	Shoulder Bolt
2	9X14Z	Shoulder Bolt 3/8"-16X7/8"	37	23735Z	Adjusting Rod
3	17X127Z	Washer	38	54205	Blade Idler Assembly
4	17X46Z	Washer	39	17X52Z	Washer
5	20658	Lifting Lever	40	75336	Hair Pin
6	20718	Grip	41	54134	Idler Support Bracket
7	15X84	Flange Nut 3/8"-16	42	1X100	Bolt 1/4"-20X1/2"
8	20636	Index Bracket	43	26X214	Screw
9	26X197	Screw	44	24527	Limit Switch
10	30X20	Cotter Pin	45	54029	Switch Bracket
11	165X1	Spring	46	54138	Hanger Bracket
12	2X53	Carriage Bolt 5/16"-18X5/8"	47	17X52Z	Washer
13	2X56	Carriage Bolt	48	54028	Bracket, Blade Lever
14	23674	Spacer	49	165X48	Extension Spring
15	24663	Spacer	50	20719	Grip
16	21890Z	Pin	51	15X82	Locknut 1/4"-20
17	17X67Z	Washer	52	90353	Skid, LH
18	24535	Front Suspension Bracket	53	24522	Front Slotted Bracket
19	15X41	Hex Nut 1/2"-13	54	21891	Clevis Pin
20	75336	Hair Pin	55	24528	Lifter Pin
21	21880	Front Pivot Arm Assembly	56	2X39	Carriage Bolt 1/4"-20X9/16"
22	24500	Lifter Link	57	1X45	Hex Bolt 5/16"-18X5/8"
23	21876	Rear Bracket	58	24384	Jackshaft Housing
24	54020	Lifter Rod Assembly	59	1X75	Hex Bolt
25	21920	Adjusting Nut	60	20617	Blade Adapter
26	54128	Lifter Rod	61	24614Z	Blade Washer
27	15X79	Flange Nut 5/16-18	62	1X84	Hex Bolt
28	20062	Woodruff Key	63	24518Z	Belt Guide
29	20613	Idler Pulley	64	21673Z	Blade Washer
30	37X12	Belt	65	20663Z	Blade Washer
31	24526	Blade Pulley	66	18X27	Lockwasher
32	24533	Jackshaft Spacer	67	15X72	Hex Nut
33	165X32	Spring	68	24524	Blade
34	54137	Spacer	69	90352	Skid, R.H.
35	15X88	Hex Nut	70	24891	Deflector
			71	54043	Blade Housing*
			72	24578	Jackshaft
			--	----	Complete Blade Housing

Key No. 71 includes the following Key No's: 10, 12, 27, 45, 46, 51, 52, 55, 57, 69, 70.

TYPE 708B

5-SPEED TRANSMISSION

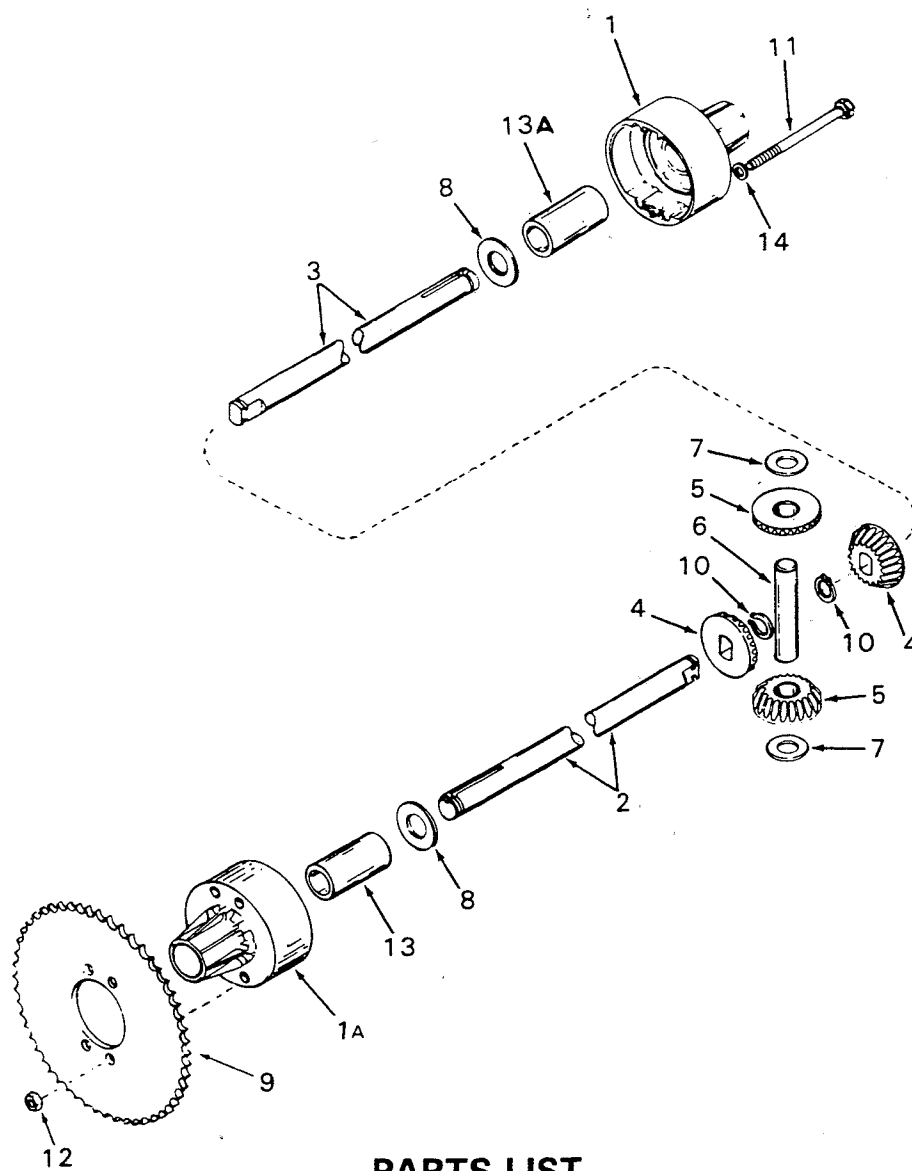


## PARTS LIST

KEY NO.	PART NO.	DESCRIPTION
1	770061	Case, Transmission
2	772083	Cover, Transmission
3	776161	Shaft, Output and Brake
4	778121A	Gear, Spur (20 teeth)
5	778122	Gear, Spur (22 teeth)
6	778123	Gear, Spur (25 teeth)
7	778124	Gear, Spur (30 teeth)
8	778125	Gear, Spur (35 teeth)
9	784266	Collar, Shift
10	786083	Sprocket (18 teeth)
11	786082	Sprocket (9 teeth)
12	776134	Shaft, Counter
13	778109	Gear, Bevel (42 tooth and 15 tooth spur gear)
14	778126	Gear, Spur (20 teeth)
15	778127	Gear, Spur (25 teeth)
16	778128	Gear, Spur (28 teeth)
17	778129	Gear, Spur (30 teeth)
18	776135	Shaft, Input
19	778113	Bevel Pinion, Input
20	786047	Sprocket (8 teeth)
21	790003	Disc, Brake
22	790013	Lever, Brake
23	790005	Holder, Brake Pad
24	790006	Pad, Brake
25	790007	Plate, Brake Pad
26	786026	Pin, Dowel
27	780105	Bushing, Flanged
28	786081	Chain, Roller (No. 41 chain, 24 links)
29	780072	Race, Thrust
30	780086	Bearing, Needle
31	792072	Ring, Retaining
32	792035	Ring, Retaining
33	780109	Washer
34	788040	Ring, Retaining
35	784267	Rod & Fork Assembly, Shift
36	792073	Screw, Hex hd. tap-tite, ¼-20X1 ¼
37	792089A	Key
38	792075	Nut, 5/16-24 lock
39	792076	Washer, 5/16 Flat
40	792077	Ball, 5/16" Steel
41	792078	Screw, 3/8-16X3/8 Set
42	792079	Spring
43	780108	Washer, Thrust
44	792001	Ring, Square Cut



**DIFFERENTIAL**

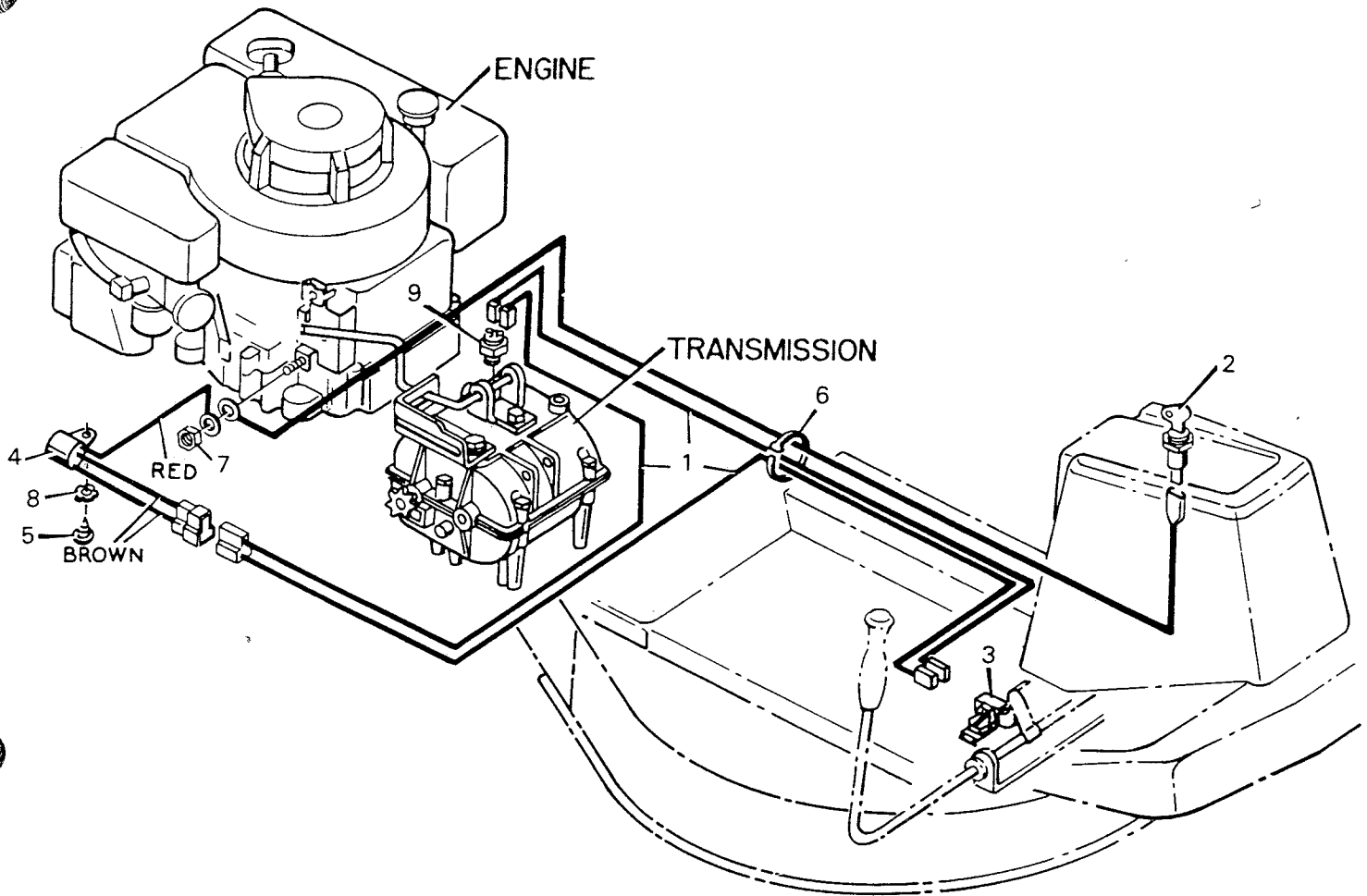


**PARTS LIST**

KEY NO.	PART NO.	DESCRIPTION
1	774463	Housing, Differential carrier (Incl. No. 13A)
1A	774344	Housing, Differential carrier (Incl. No. 13)
2	774464	Axle (8-37/64" long)
3	774465	Axle (18-11/16" long)
4	778067	Gear, Bevel
5	778068	Gear, Pinion
6	786040	Pin, Drive
7	780096	Washer, Thrust
8	780001	Washer
9	90188	Sprocket 50 Tooth
10	792018	Ring, Snap
11	792041	Screw, Hex hd., 5/16-18X3-3/4
12	792042	Nut, Lock, 5/16-18
13	780077	Bushing
13A	780124	Bushing
14	792061	Washer

WIRING DIAGRAM ILLUSTRATION AND PARTS LIST

FACTORY MODEL NO. 4-30105X10  
CUSTOMER MODEL NO. MOM 7102A48



KEY NO.	PART NO.	DESCRIPTION
1	54216	Wiring Harness
2	23665PA	Stop Switch & Key
3	24527	Limit Switch
4	21361	Control Module
5	26X185	Screw
6	32618	Tie Strap
7	15X49Z	Hex Nut
8	19X1	Shakeproof Washer
9	23479	Transmission Limit Switch